



US00D582536S

(12) **United States Design Patent**  
Nestor et al.

(10) **Patent No.:** **US D582,536 S**

(45) **Date of Patent:** **\*\* Dec. 9, 2008**

(54) **AIR FRESHENER**

(75) Inventors: **Michael Nestor**, Northfield, OH (US);  
**Megan Graybill**, Westlake, OH (US)

(73) Assignee: **State Industrial Products**, Cleveland,  
OH (US)

(\*\*) Term: **14 Years**

(21) Appl. No.: **29/305,167**

(22) Filed: **Mar. 14, 2008**

(51) **LOC (8) Cl.** ..... **28-99**

(52) **U.S. Cl.** ..... **D23/366**

(58) **Field of Classification Search** ..... D23/355-396;  
261/DIG. 17, DIG. 43, DIG. 65, DIG. 88,  
261/DIG. 89; 239/34, 35, 53, 56, 57, 60,  
239/136, 326; 392/386, 394, 395; D28/5,  
D28/6

See application file for complete search history.

(56) **References Cited**

**U.S. PATENT DOCUMENTS**

4,857,240 A 8/1989 Kearnes et al.  
D309,497 S 7/1990 Kearnes  
D363,772 S \* 10/1995 Kopp et al. .... D23/366  
D438,608 S \* 3/2001 Chen ..... D23/366

D448,464 S \* 9/2001 Shin ..... D23/359  
D521,138 S \* 5/2006 Wu ..... D23/366  
D534,641 S \* 1/2007 Chen ..... D23/366  
D535,736 S \* 1/2007 Wu ..... D23/366

\* cited by examiner

*Primary Examiner*—Sandra Snapp

(74) *Attorney, Agent, or Firm*—Pearne & Gordon LLP

(57) **CLAIM**

The ornamental design for an air freshener, as shown and described.

**DESCRIPTION**

FIG. 1 is a perspective view of an air freshener design in accordance with the present invention.

FIG. 2 is a front elevation view of the air freshener design;

FIG. 3 is a back elevation view of the air freshener design;

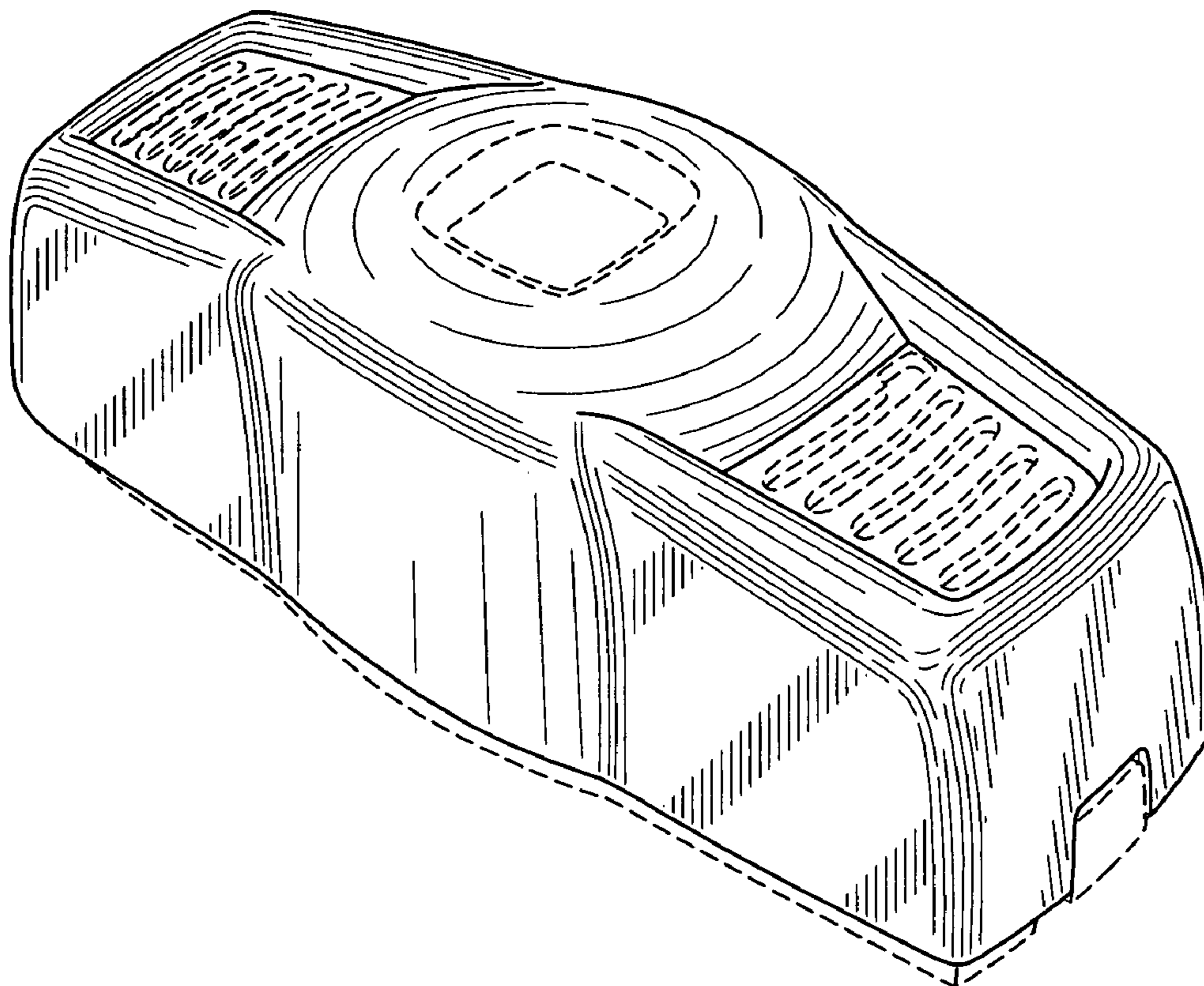
FIG. 4 is a right side elevation view of the air freshener design, the left side elevation being a mirror image thereof;

FIG. 5 is a top elevation view of the air freshener design; and,

FIG. 6 is a bottom elevation view of the air freshener design.

Features shown in dashed lines are for environmental purposes and do not form a part of the claimed design.

**1 Claim, 5 Drawing Sheets**



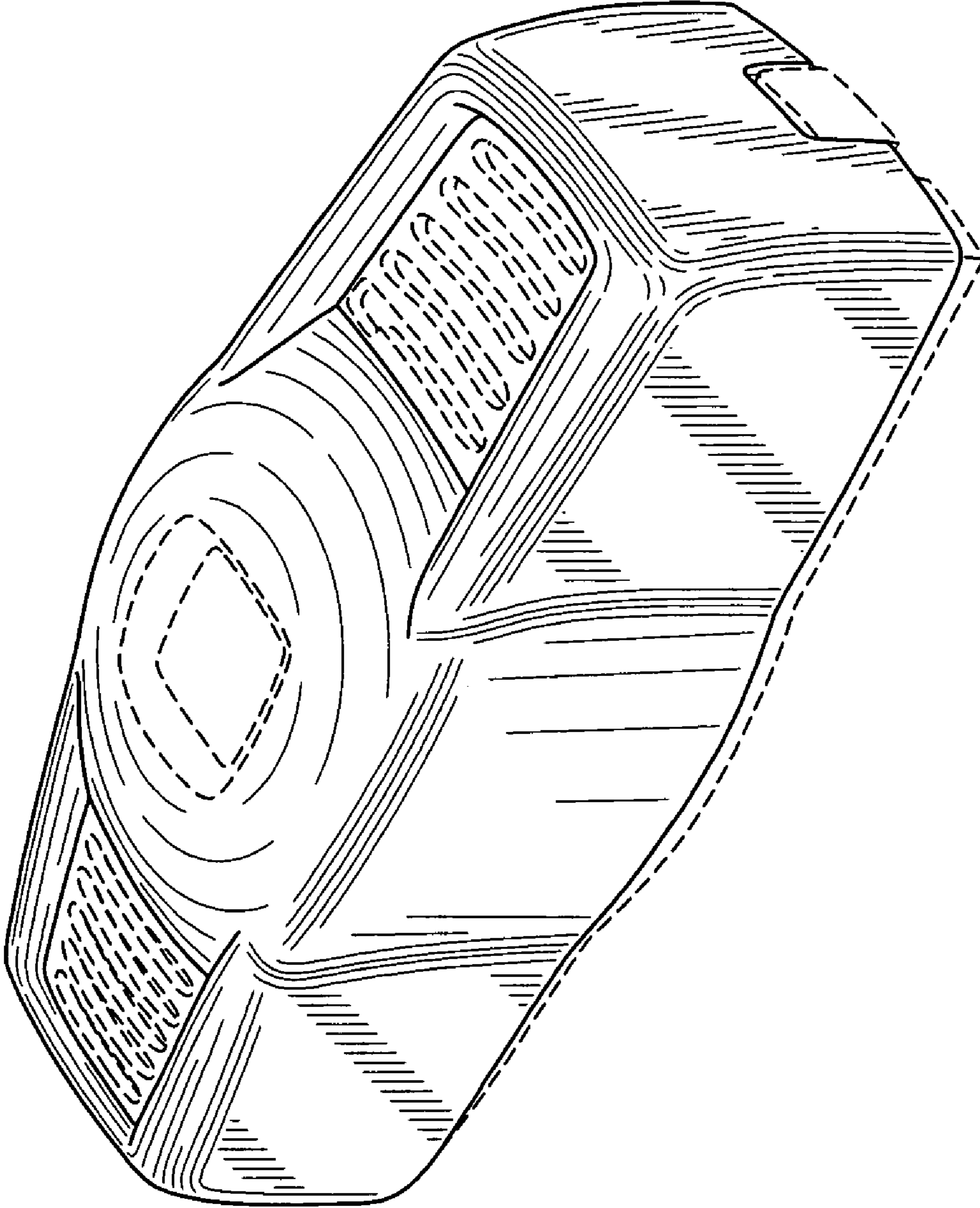


FIG. 1

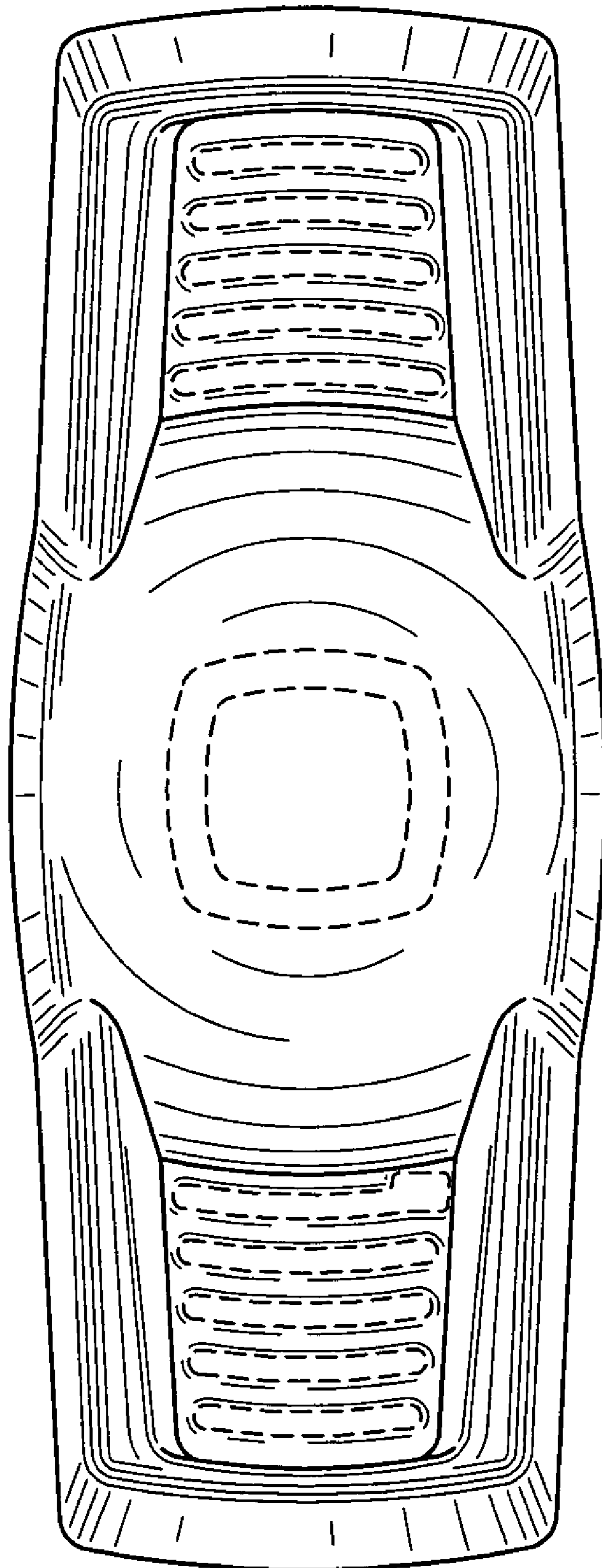


FIG. 2

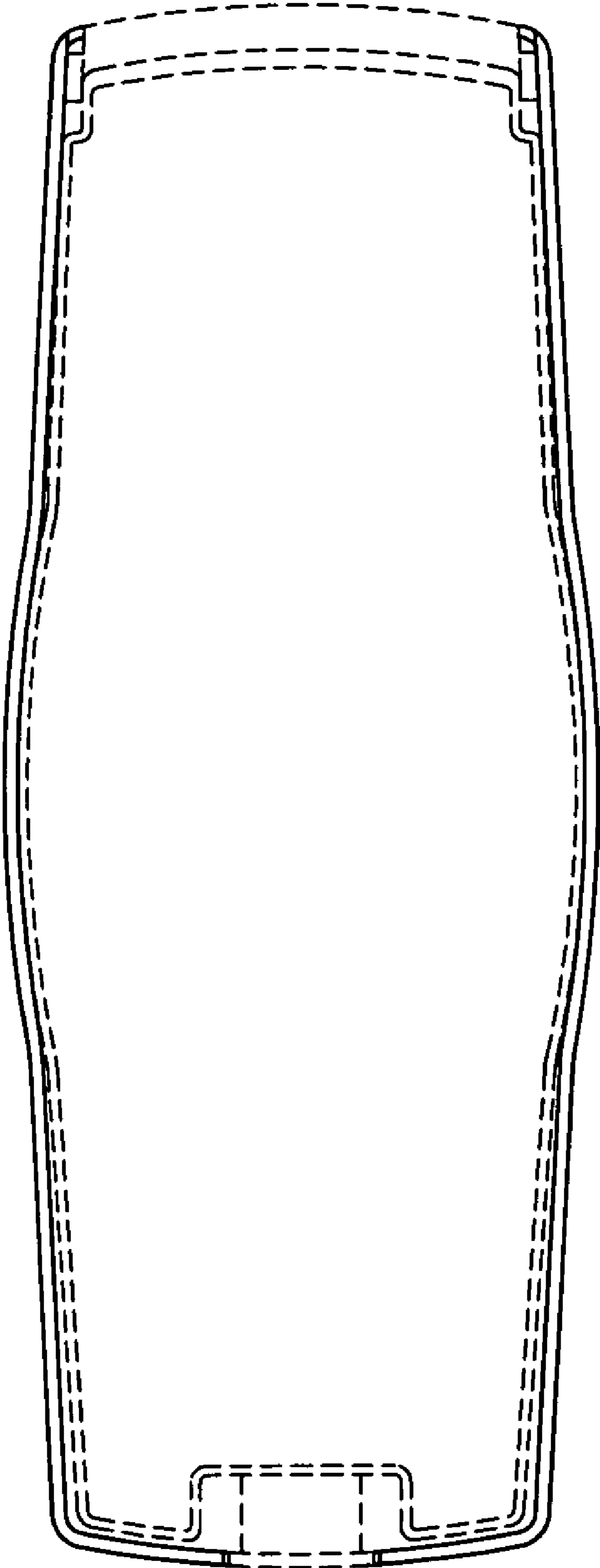


FIG. 3

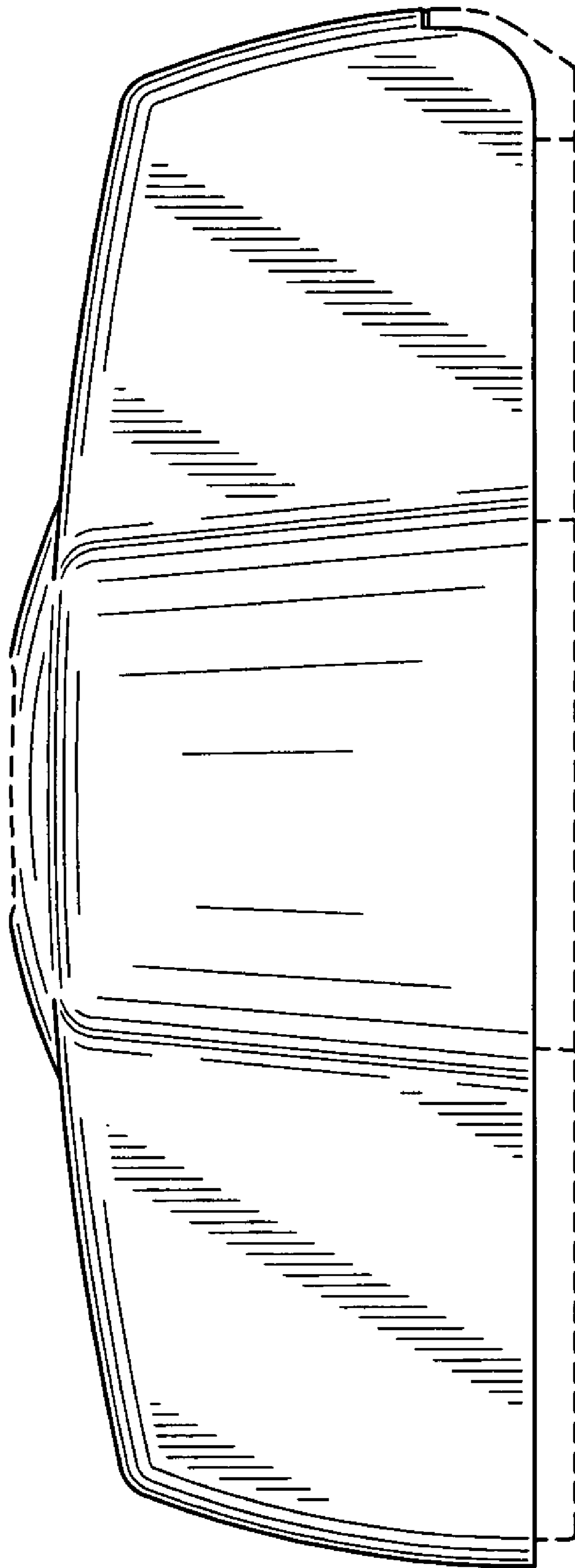


FIG. 4



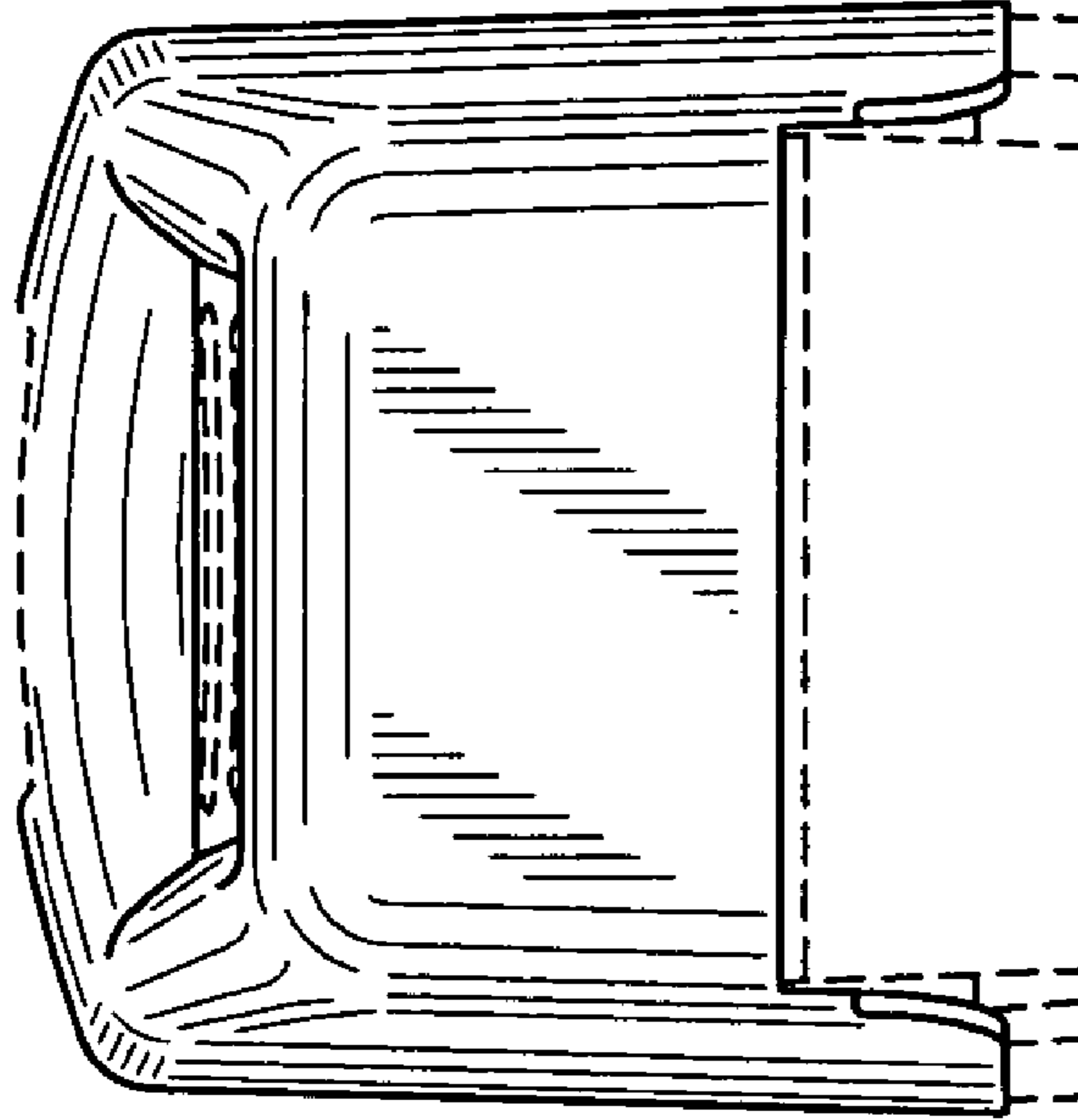


FIG. 5

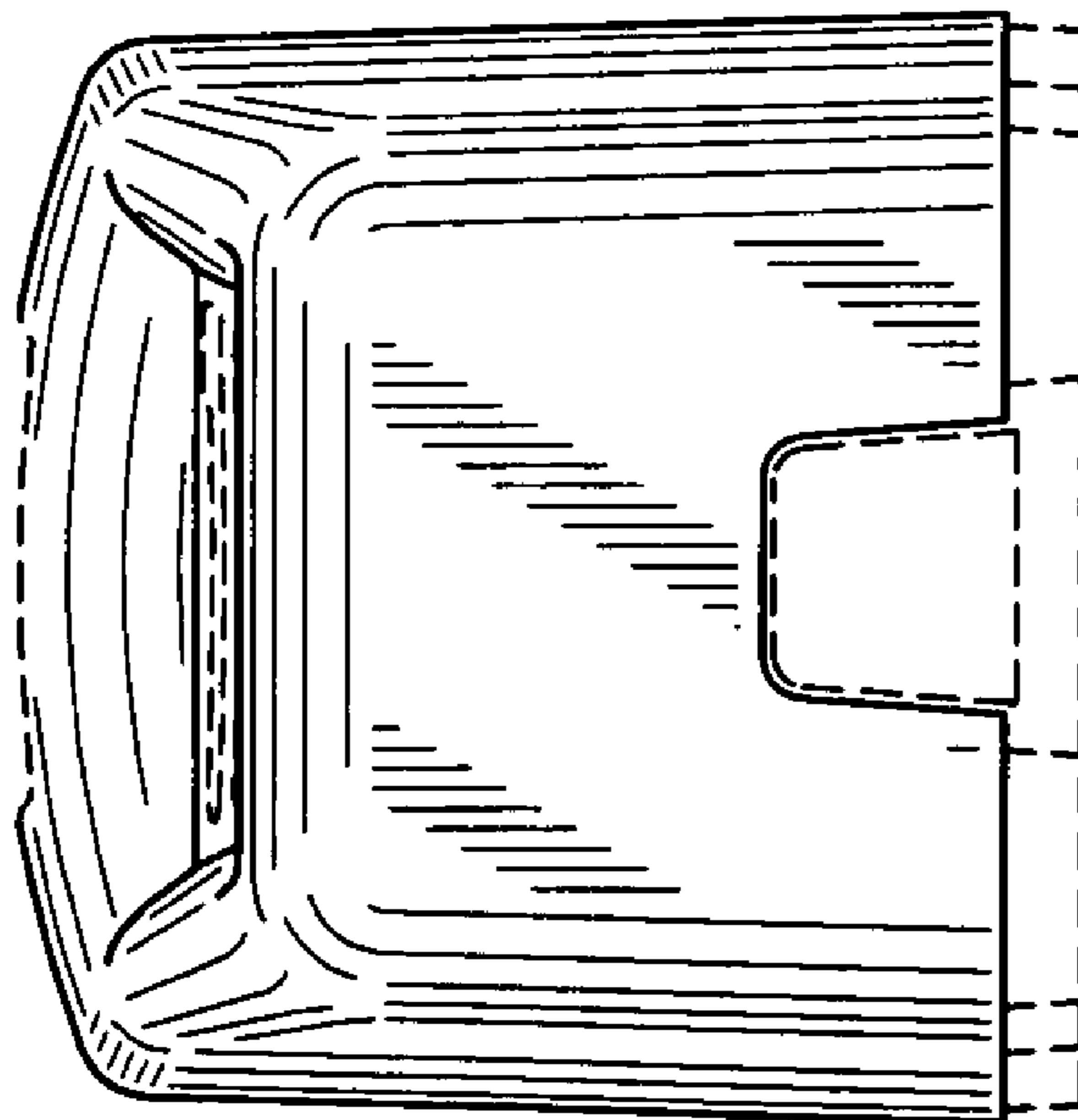


FIG. 6