



US00D582529S

(12) **United States Design Patent**
Henshaw et al.

(10) **Patent No.:** **US D582,529 S**

(45) **Date of Patent:** **** Dec. 9, 2008**

(54) **TOILET ASSEMBLY**

D379,495 S * 5/1997 Sidman et al. D23/296

D464,716 S * 10/2002 Gubitosi D23/296

(75) Inventors: **Graham Robert Byrne Henshaw**,
Chicago, IL (US); **Daniel A. Peterson**,
Chicago, IL (US); **John David**
Hartman, Chicago, IL (US); **David**
Chesley, Duxbury, MA (US); **Jeffrey**
Cogan Nelson, Chicago, IL (US)

* cited by examiner

Primary Examiner—Robert A Delehanty

(74) *Attorney, Agent, or Firm*—Moazzam & Associates, LLC

(73) Assignee: **Liftseat Corporation**, San Antonio, TX
(US)

(57) **CLAIM**

(**) Term: **14 Years**

The ornamental design for a toilet assembly, as shown and described.

(21) Appl. No.: **29/283,491**

(22) Filed: **Aug. 15, 2007**

DESCRIPTION

(51) **LOC (8) Cl.** **23-02**

(52) **U.S. Cl.** **D23/295**

(58) **Field of Classification Search** D23/273–274,
D23/295–299, 303, 309; 4/663–664, 300,
4/312, 329, 348, 352–353

See application file for complete search history.

FIG. 1 is a front perspective view of a toilet assembly showing our new design;

FIG. 2 is a front elevational view thereof;

FIG. 3 is a top plan view thereof;

FIG. 4 is a right side elevational view thereof; and,

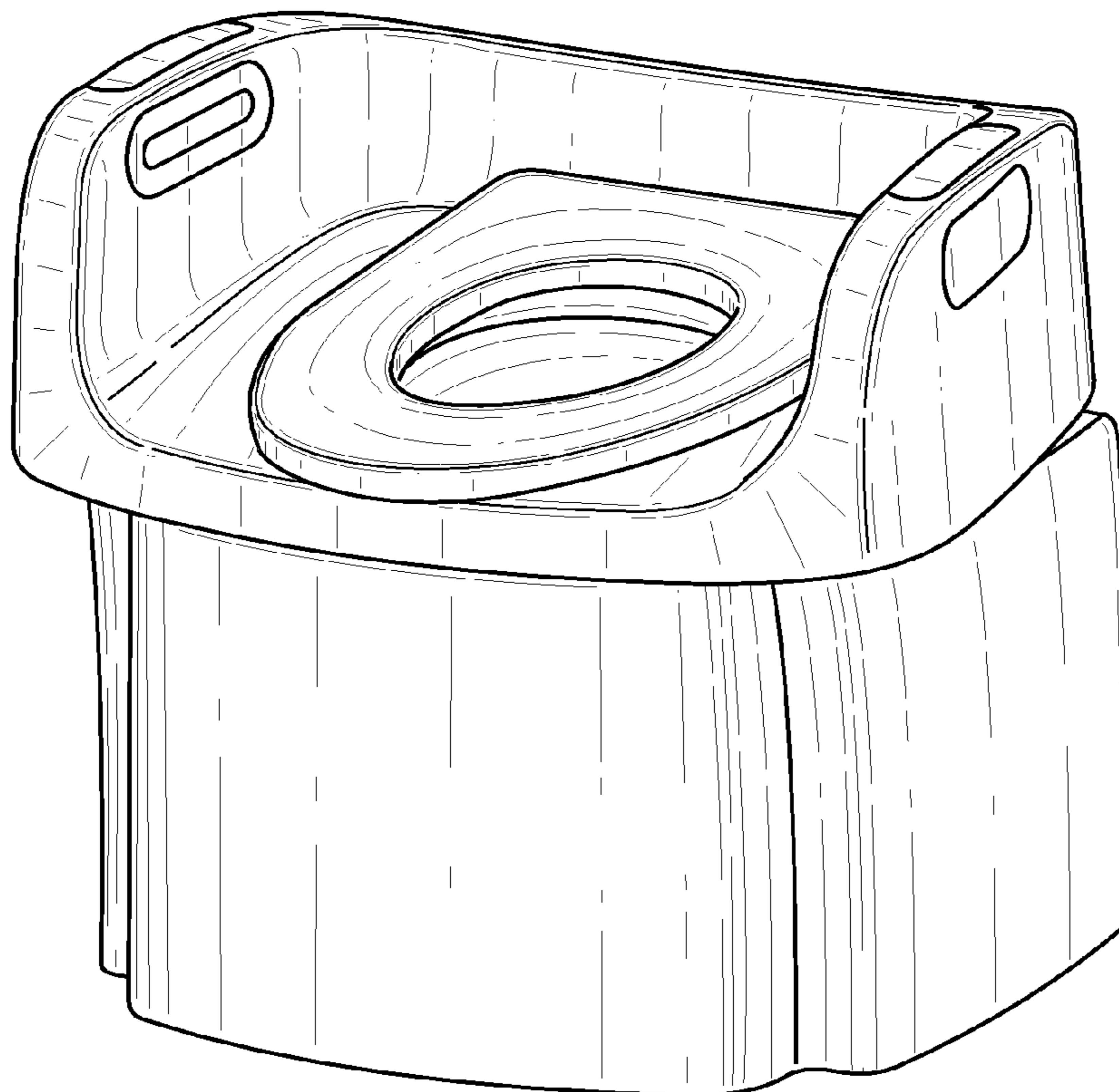
FIG. 5 is a left side elevational view thereof.

(56) **References Cited**

U.S. PATENT DOCUMENTS

D351,224 S * 10/1994 Wise et al. D23/296

1 Claim, 5 Drawing Sheets



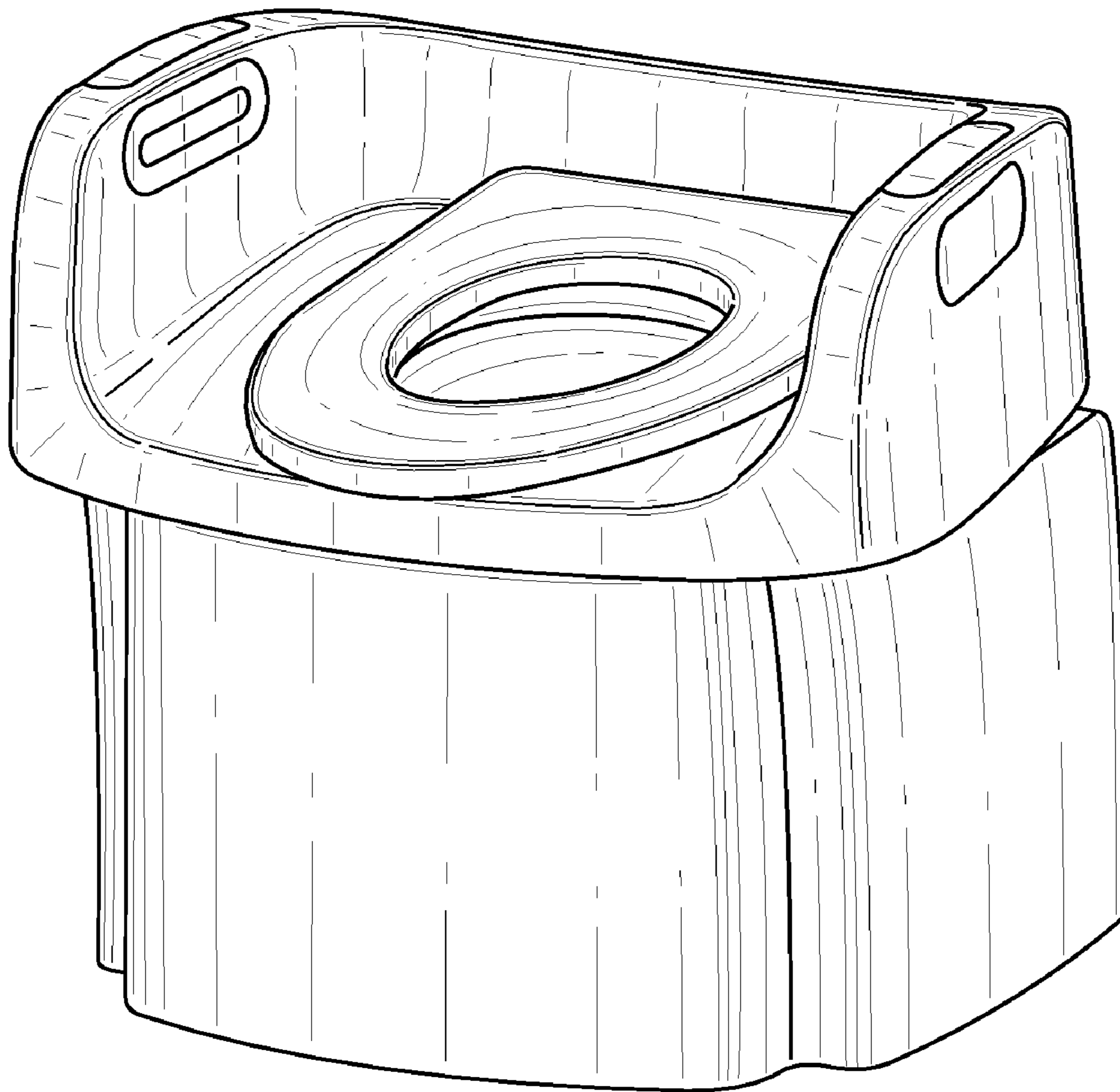


FIG. 1

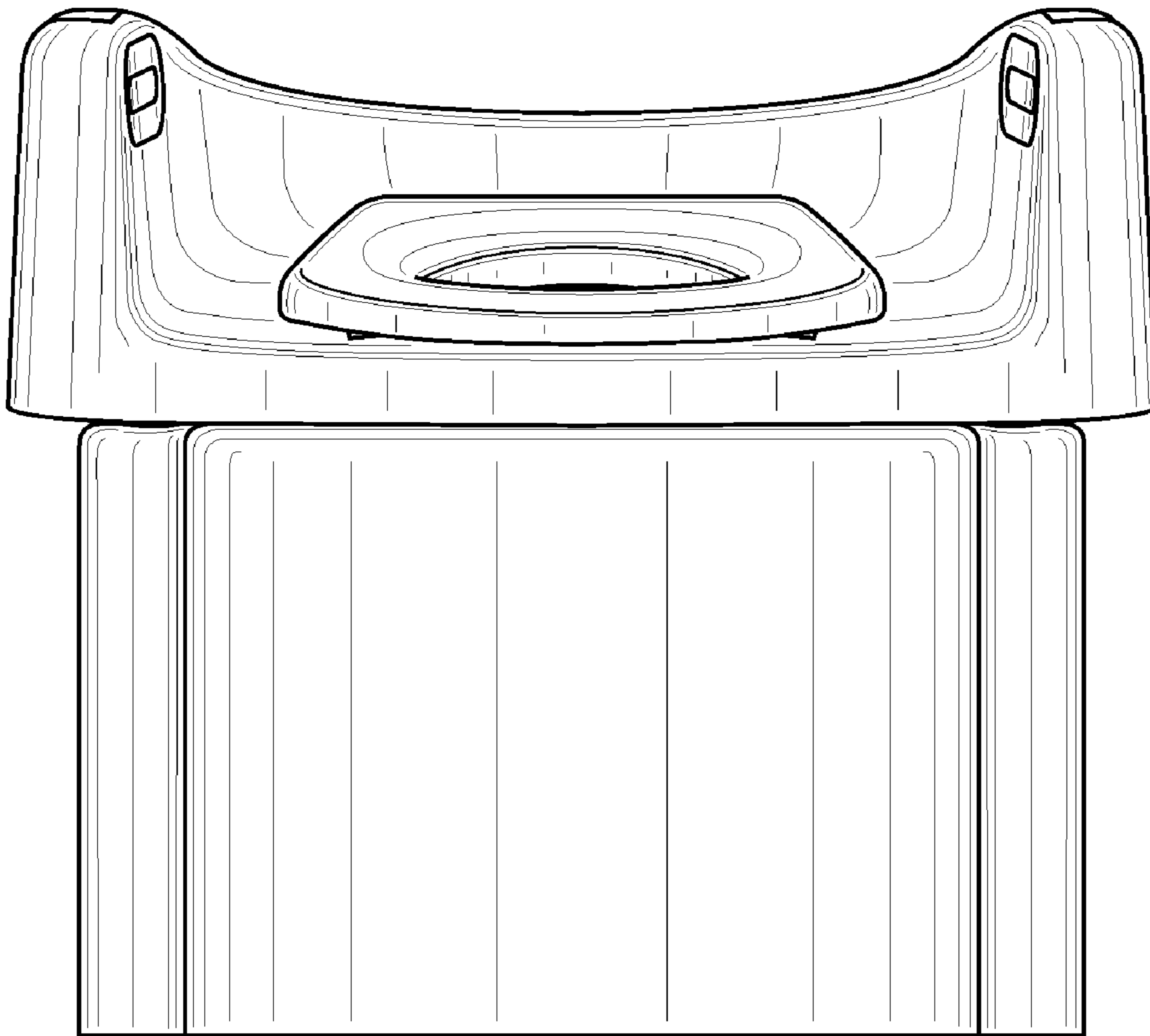


FIG. 2

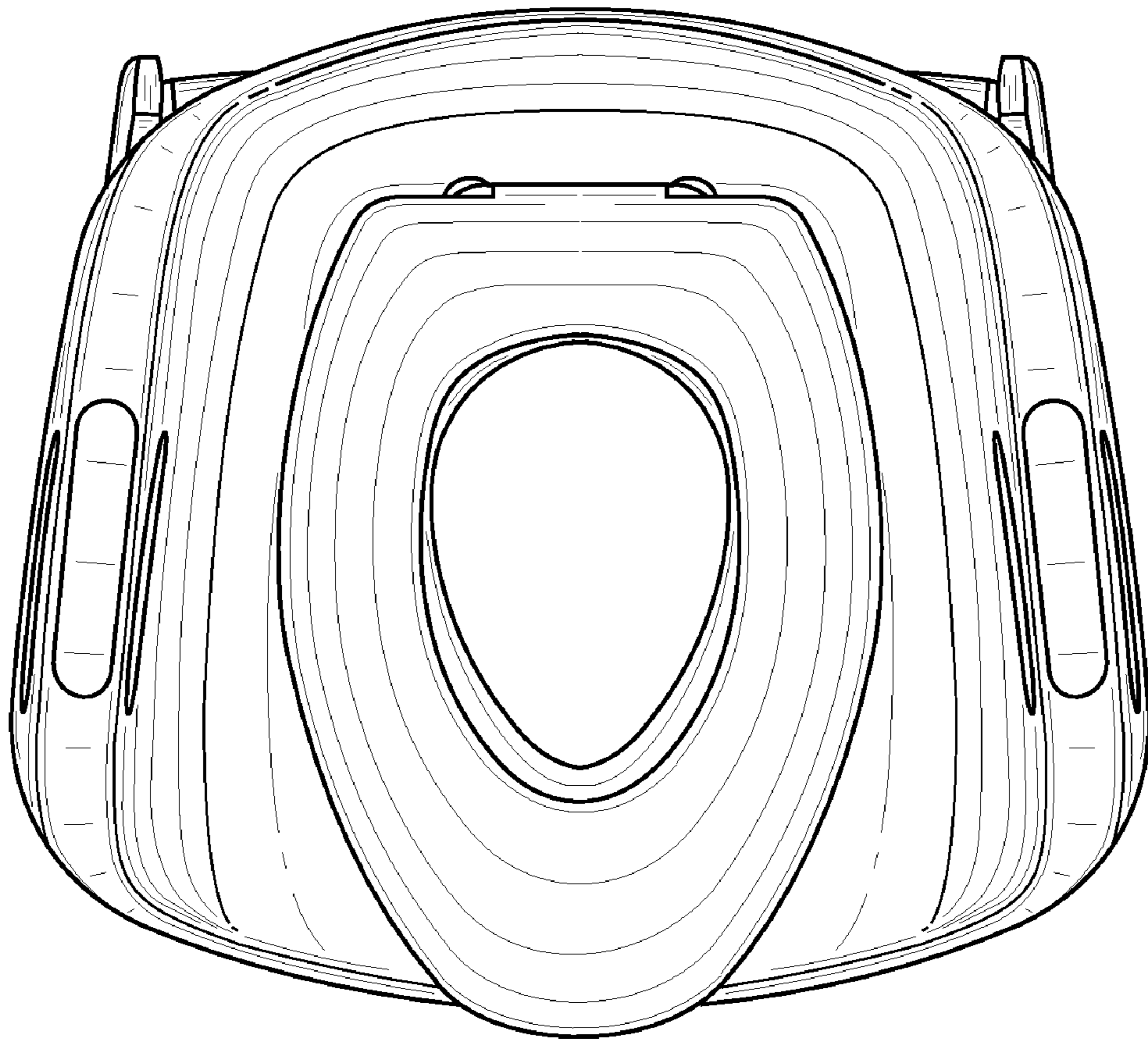


FIG. 3

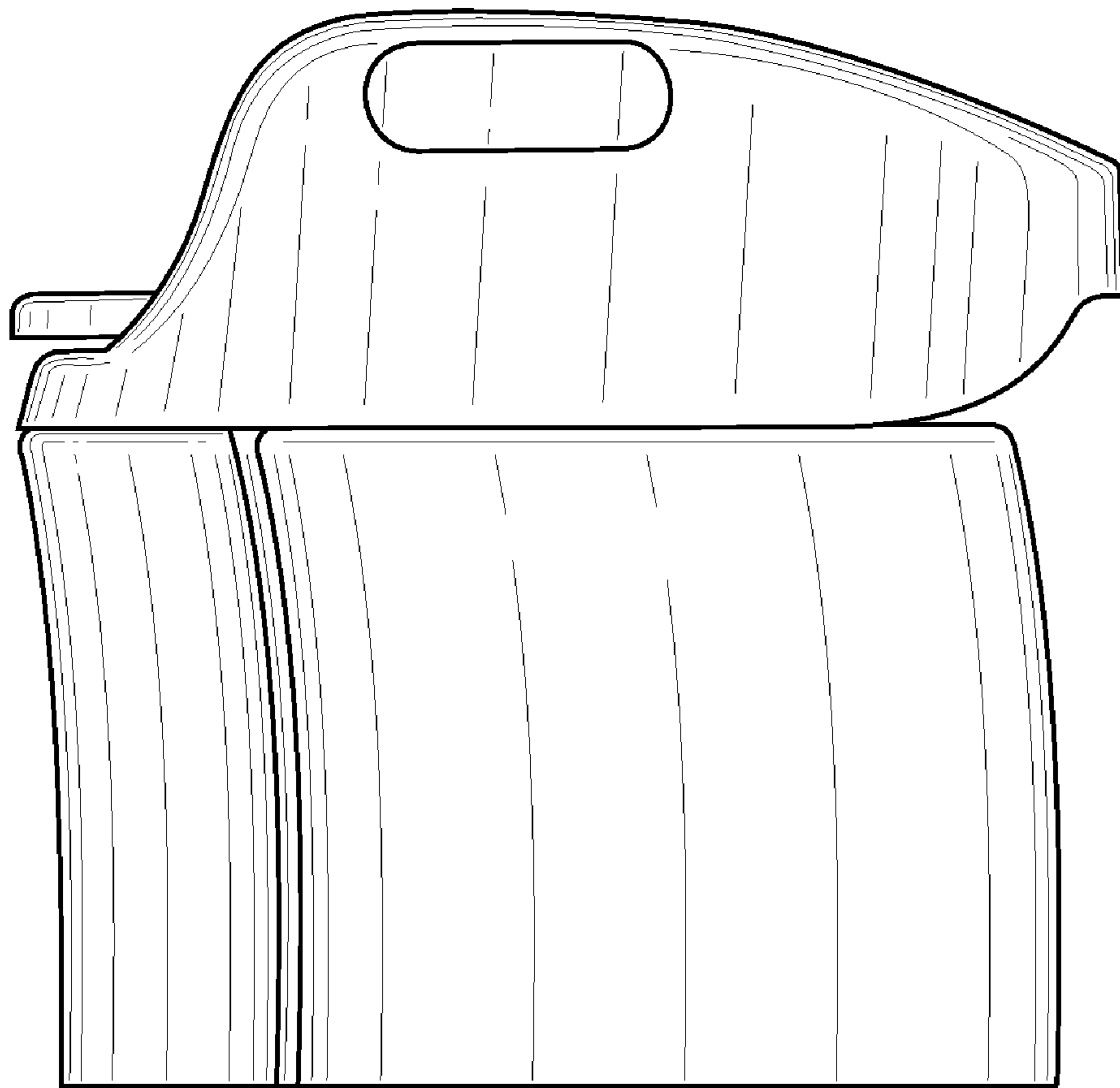


FIG. 4

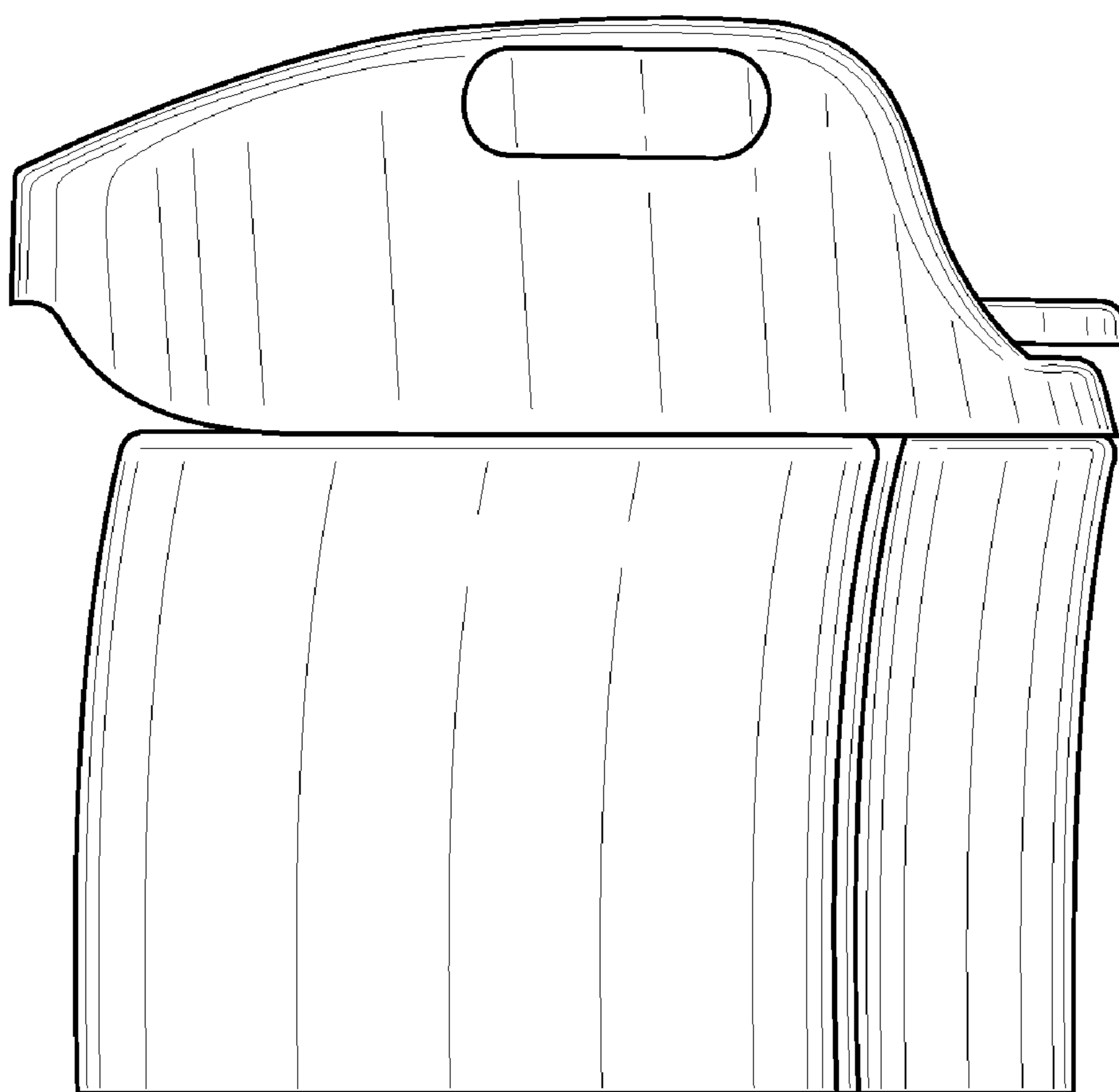


FIG. 5