



US00D582524S

(12) **United States Design Patent**  
**McKeone**

(10) **Patent No.:** **US D582,524 S**

(45) **Date of Patent:** **\*\* Dec. 9, 2008**

(54) **SPOUT**

(75) Inventor: **William C. McKeone**, Sheboygan, WI (US)

(73) Assignee: **Kohler Co.**, Kohler, WI (US)

(\*\*) Term: **14 Years**

(21) Appl. No.: **29/279,759**

(22) Filed: **May 7, 2007**

(51) **LOC (8) Cl.** ..... **23-01**

(52) **U.S. Cl.** ..... **D23/255**

(58) **Field of Classification Search** ..... D23/255-257,  
D23/238-243; 4/675-678; 137/801  
See application file for complete search history.

(56) **References Cited**

U.S. PATENT DOCUMENTS

D254,801 S	4/1980	Santi	
D267,110 S	11/1982	Arnolds	
5,458,154 A *	10/1995	Niemann et al.	137/801
D364,215 S *	11/1995	Starck	D23/242
D464,406 S	10/2002	Gottwald	
D465,270 S	11/2002	Gottwald	
D466,979 S	12/2002	Shulz	
D468,410 S *	1/2003	Hundley	D23/255
D472,308 S	3/2003	Hundley	
D478,375 S	8/2003	Hundley	
D482,102 S	11/2003	Wettstein et al.	
D496,717 S	9/2004	Svensen et al.	
D497,198 S	10/2004	Painter et al.	
D519,612 S	4/2006	Fritz	
D521,612 S	5/2006	Fritz	
D524,414 S	7/2006	Marcichow et al.	
D524,426 S	7/2006	Sallick et al.	
D526,389 S	8/2006	Lammel et al.	
7,387,137 B2 *	6/2008	Chung	137/615

OTHER PUBLICATIONS

Ann Sacks. "One Widespread Lavatory Set". Model No. AS6337. Ann Sacks online catalog.

Elkay. "Vivo Faucet with Straight Handles". Model No. LKS6475. Fausink.com online catalog. Copyright 2004-2007 Fausink.com.

Kohler Co. "Purist bath—or deck-mount high-flow bath faucet trim". Model No. K-T14428-4. Kohler Co. online catalog. Copyright 2007 Kohler Co.

Kohler Co. Coralais laundry sink faucet with plain end spout and sculptured acrylic handles. Homeportfolio.com online catalog. Copyright 1997-2007 HomePortfolio Inc.

\* cited by examiner

*Primary Examiner*—Robert A Delehanty

(74) *Attorney, Agent, or Firm*—Quarles & Brady LLP

(57) **CLAIM**

The ornamental design for a spout, as shown and described.

**DESCRIPTION**

In a preferred embodiment, the nature of this product is a spout for a faucet or tub filler.

FIG. 1 is a left, top, front perspective view of a spout body according to my new design;

FIG. 2 is a left side elevational view thereof, the right side elevational view thereof being a mirror image of the left side shown;

FIG. 3 is a top plan view thereof;

FIG. 4 is a front elevational view thereof;

FIG. 5 is a rear elevational view thereof;

FIG. 6 is a bottom plan view thereof;

FIG. 7 is a left, top, front perspective view of a spout body according to another embodiment of my new design;

FIG. 8 is a left side elevational view thereof, the right side elevational view thereof being a mirror image of the left side shown;

FIG. 9 is a top plan view thereof;

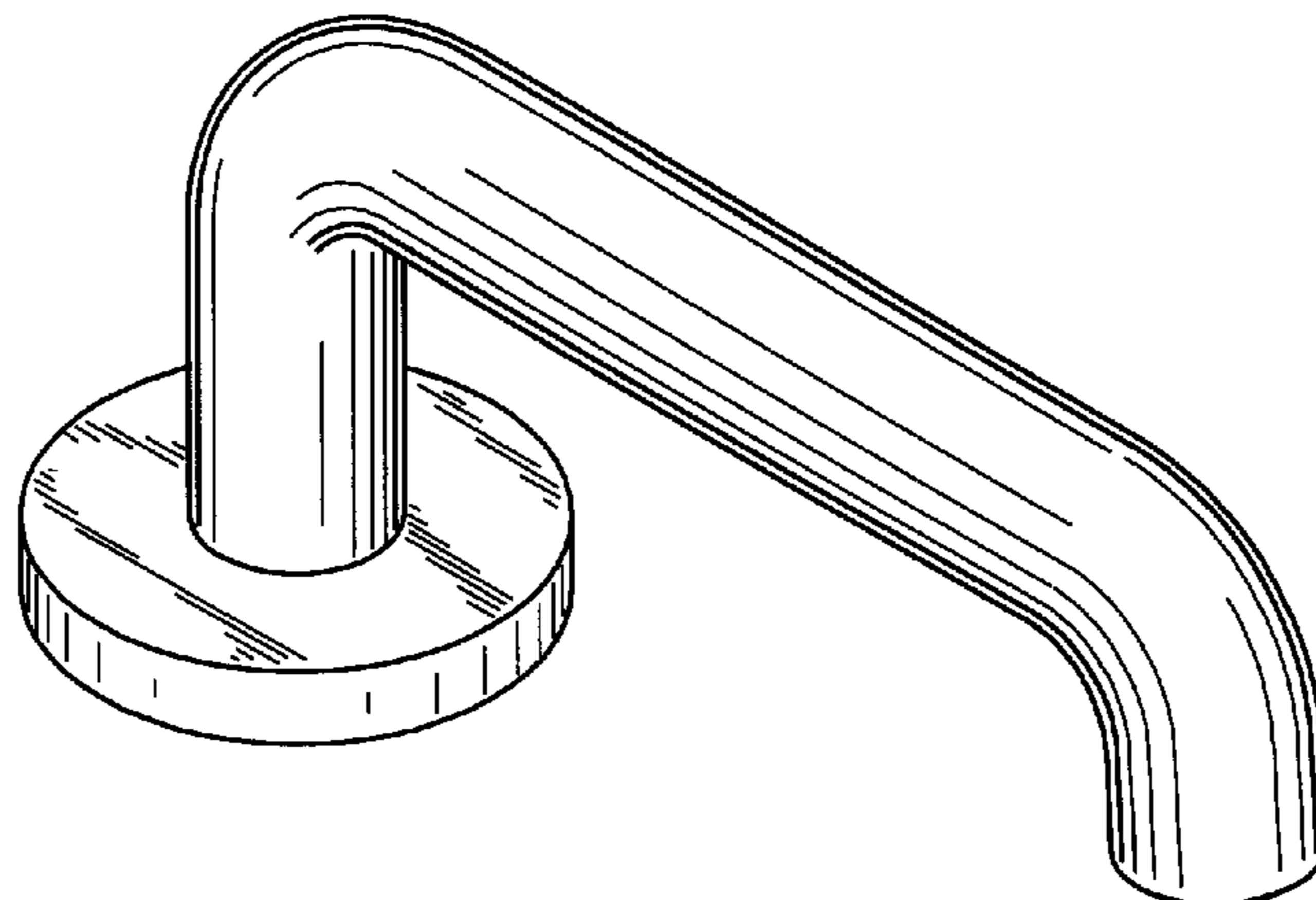
FIG. 10 is a front elevational view thereof;

FIG. 11 is a rear elevational view thereof; and,

FIG. 12 is a bottom plan view thereof.

The broken line representations in the figures are for the purpose of illustration only, and form no part of the claimed design.

**1 Claim, 6 Drawing Sheets**



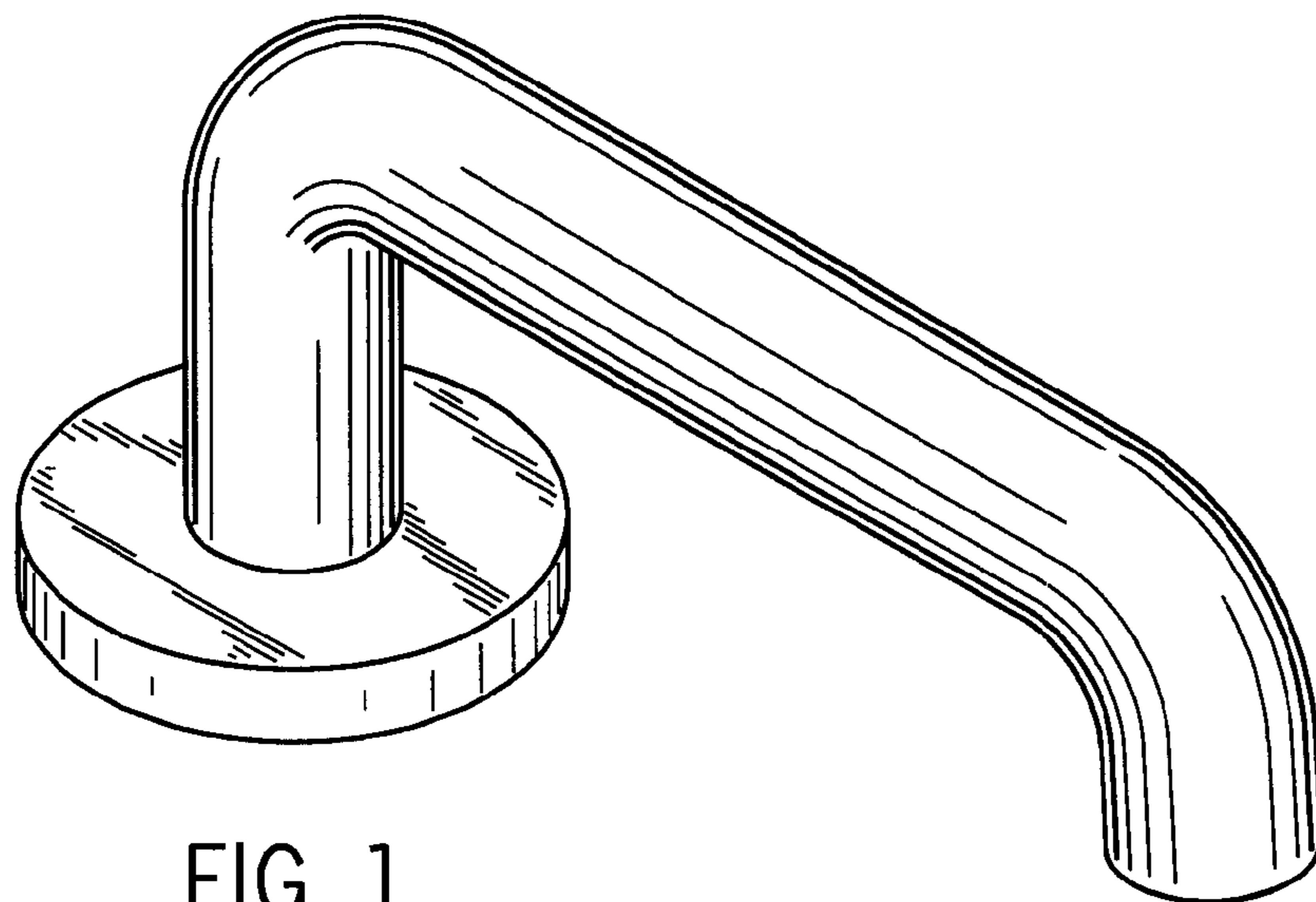


FIG. 1

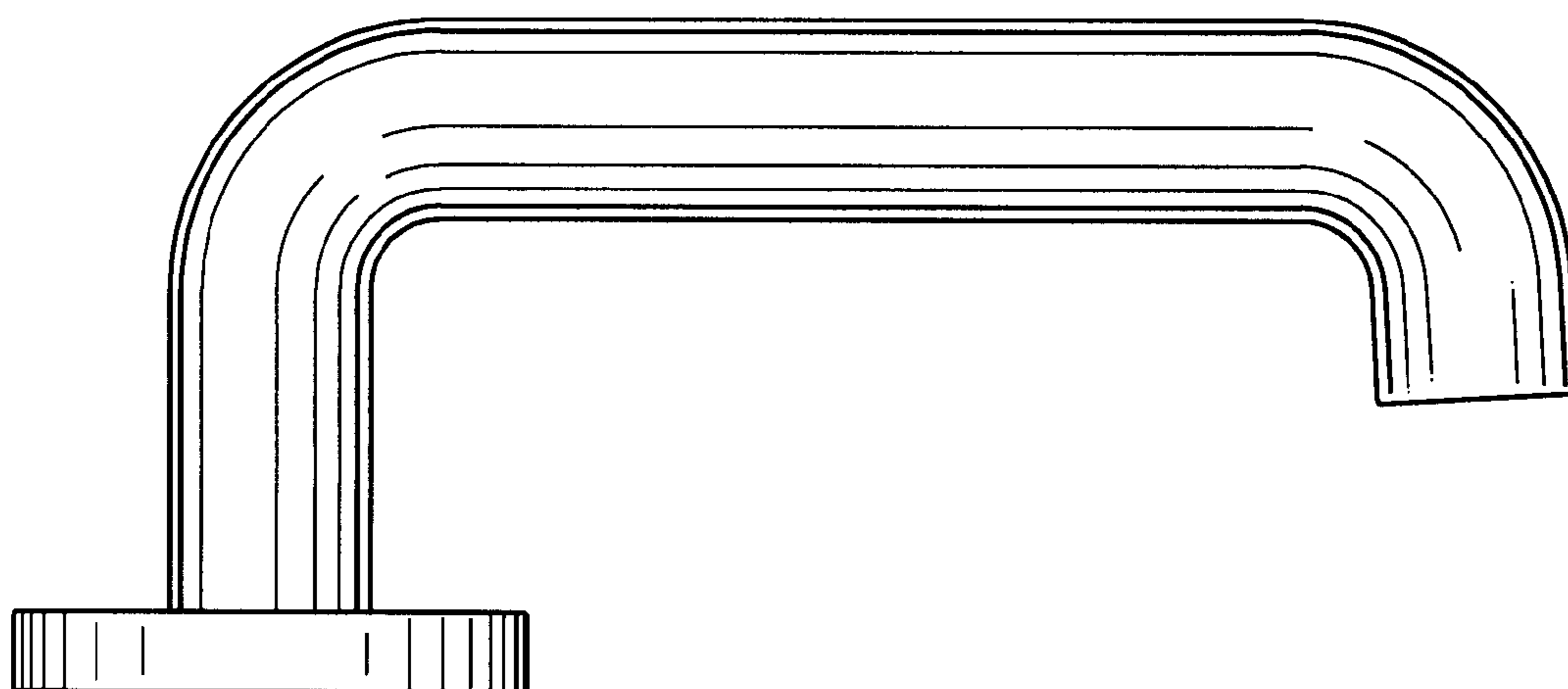


FIG. 2

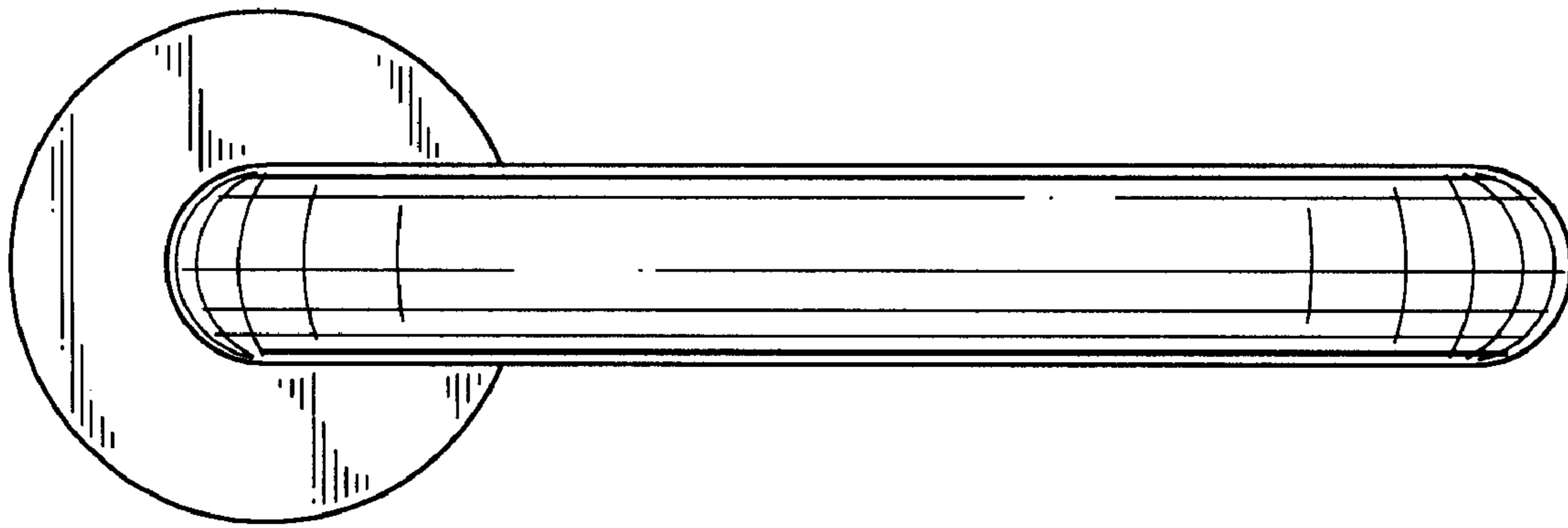


FIG. 3

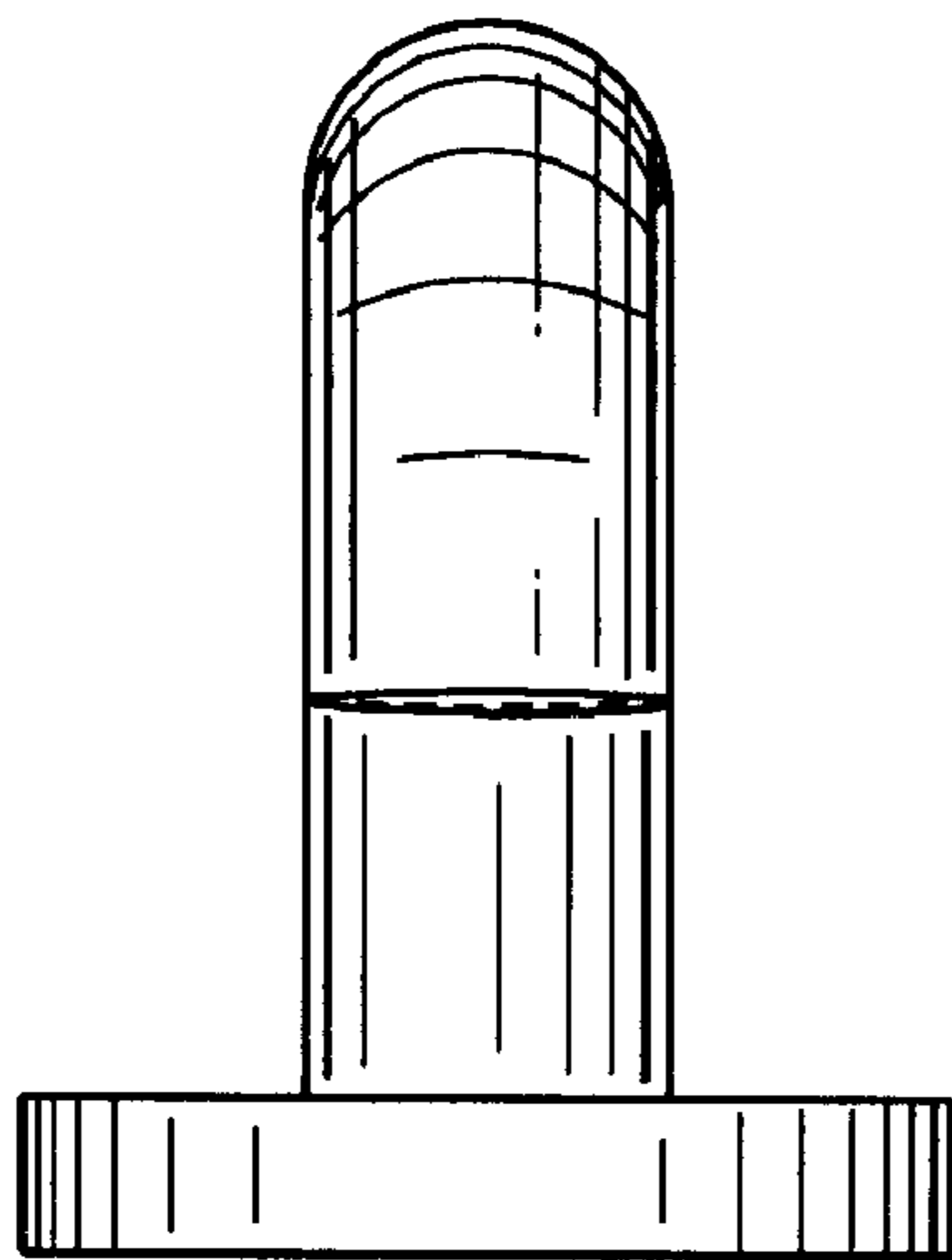


FIG. 4

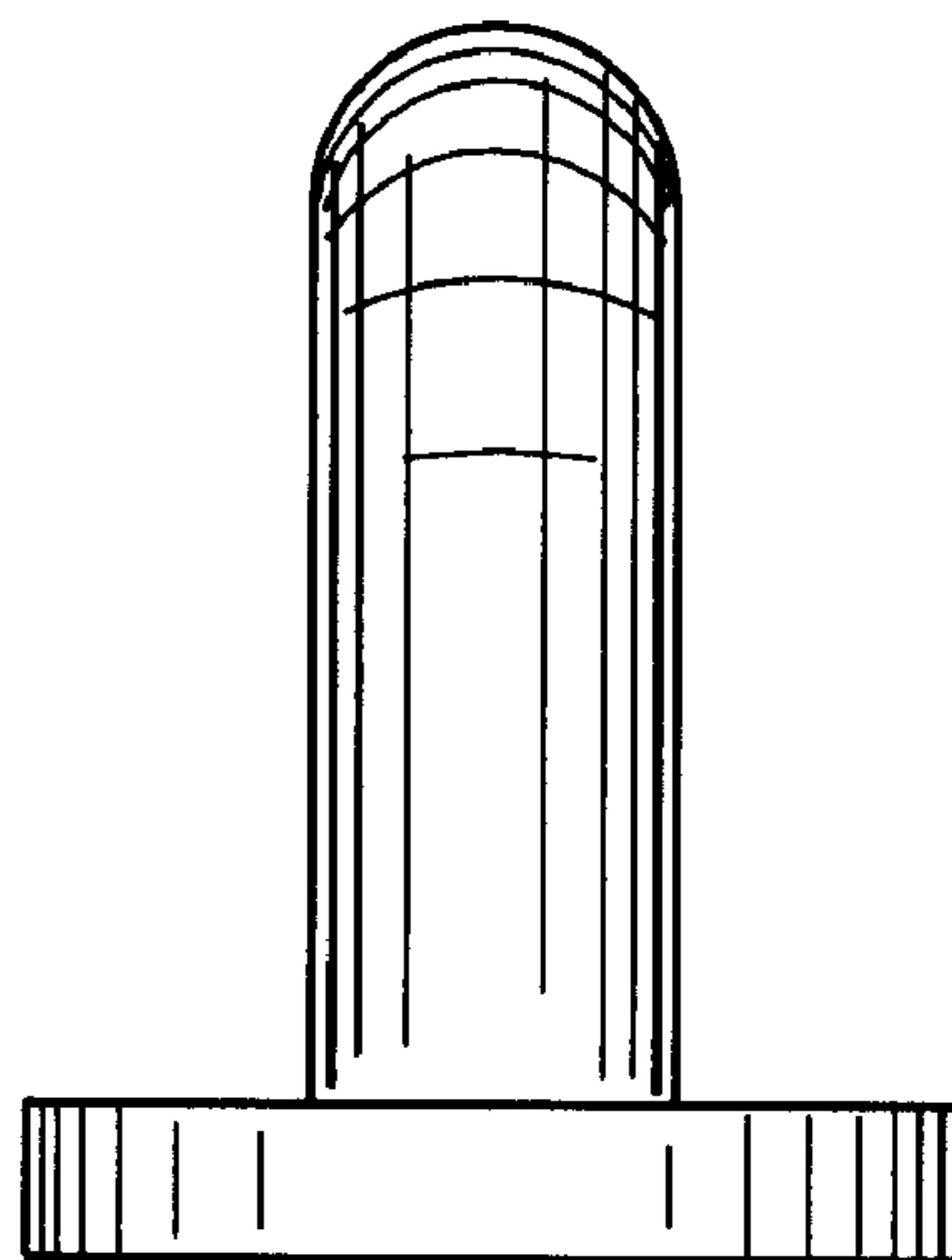


FIG. 5

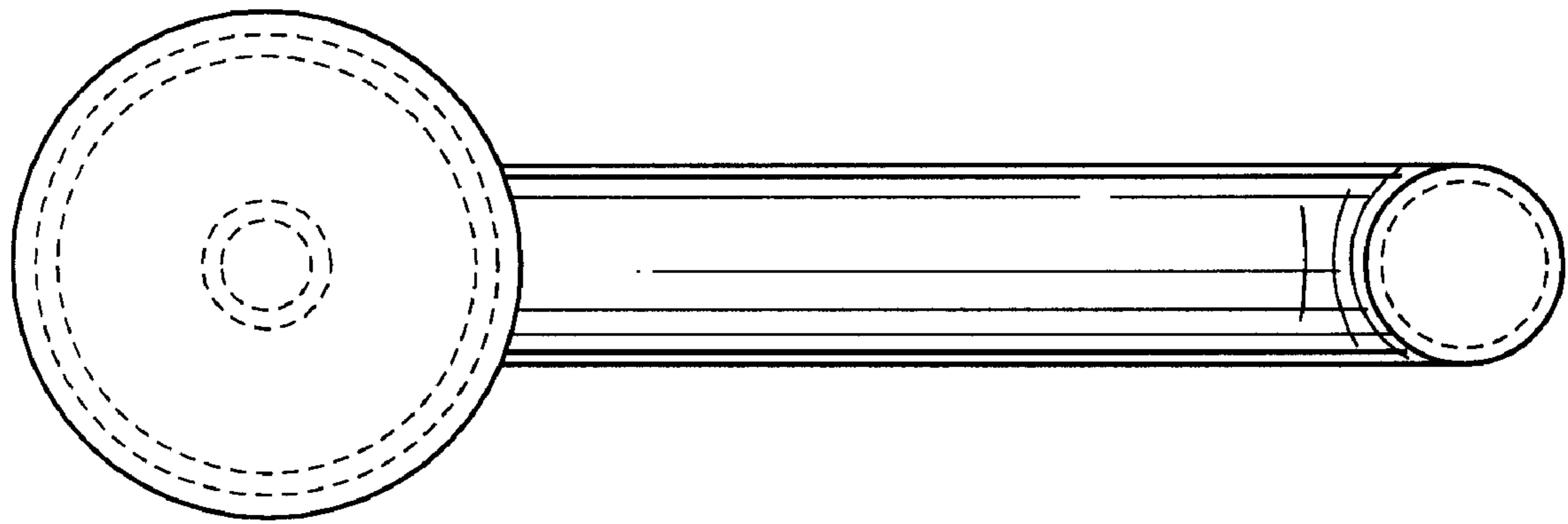


FIG. 6

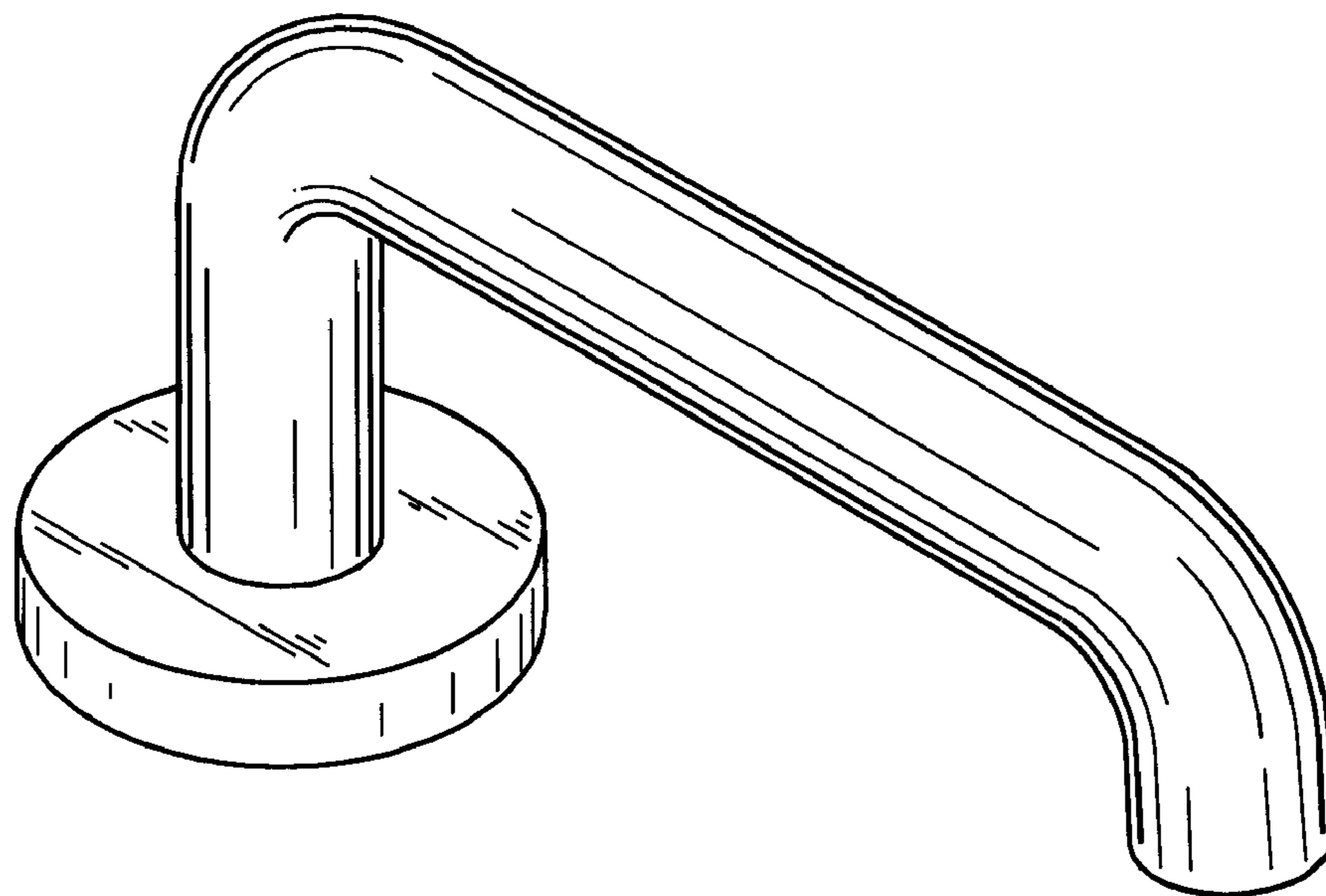


FIG. 7

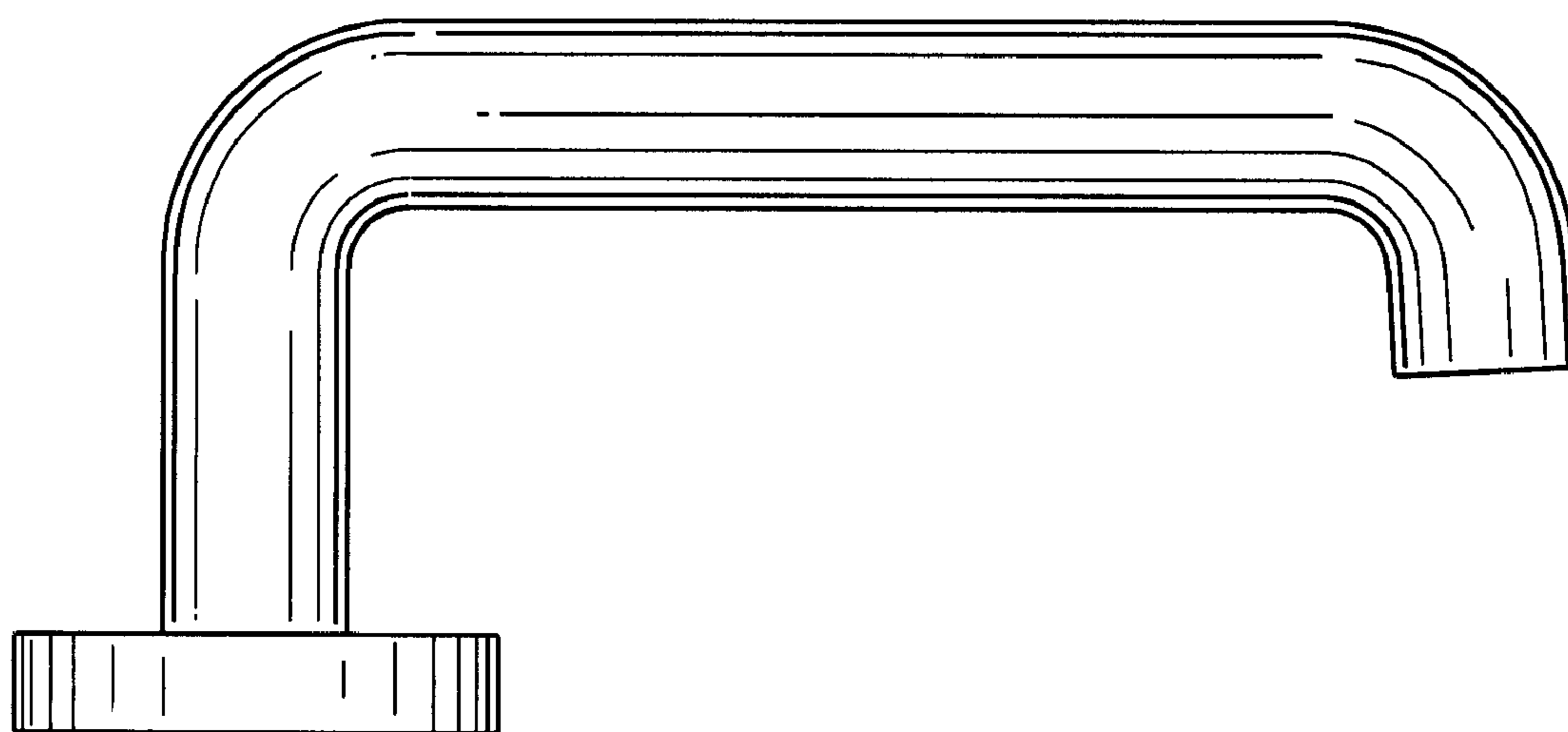


FIG. 8

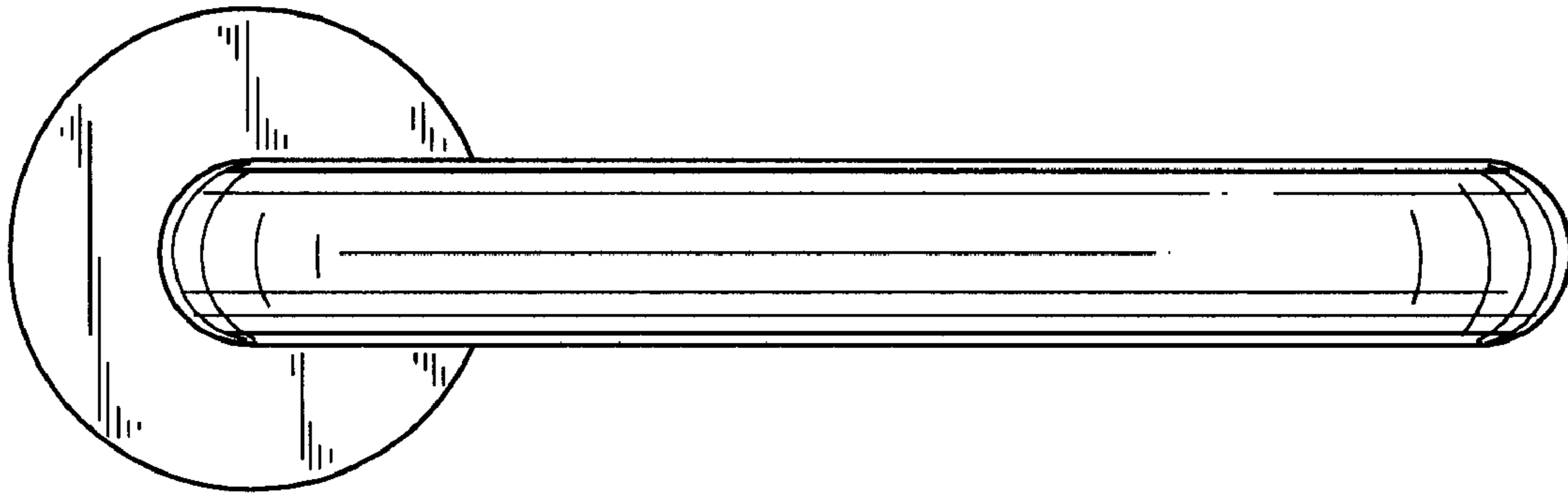


FIG. 9

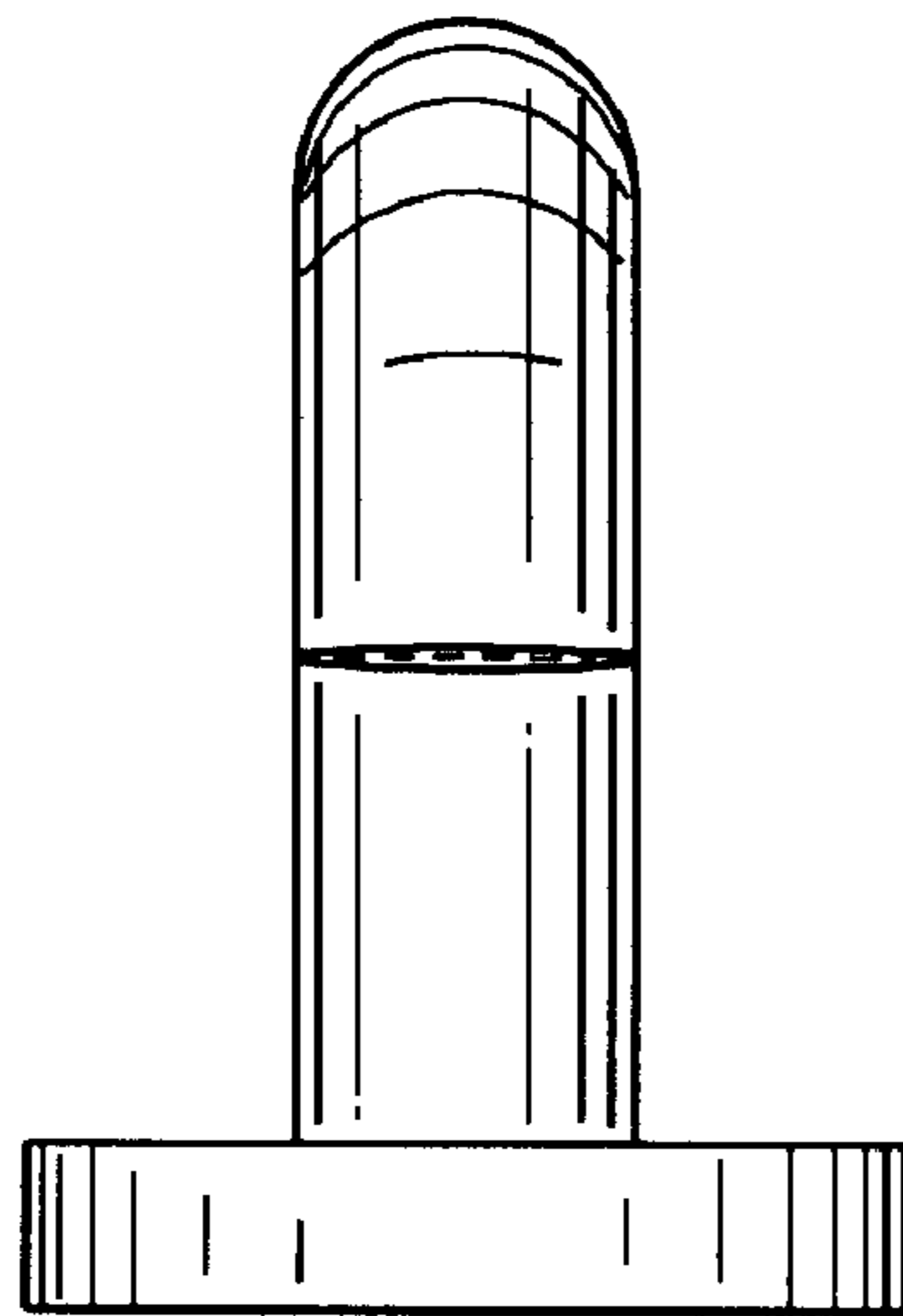


FIG. 10

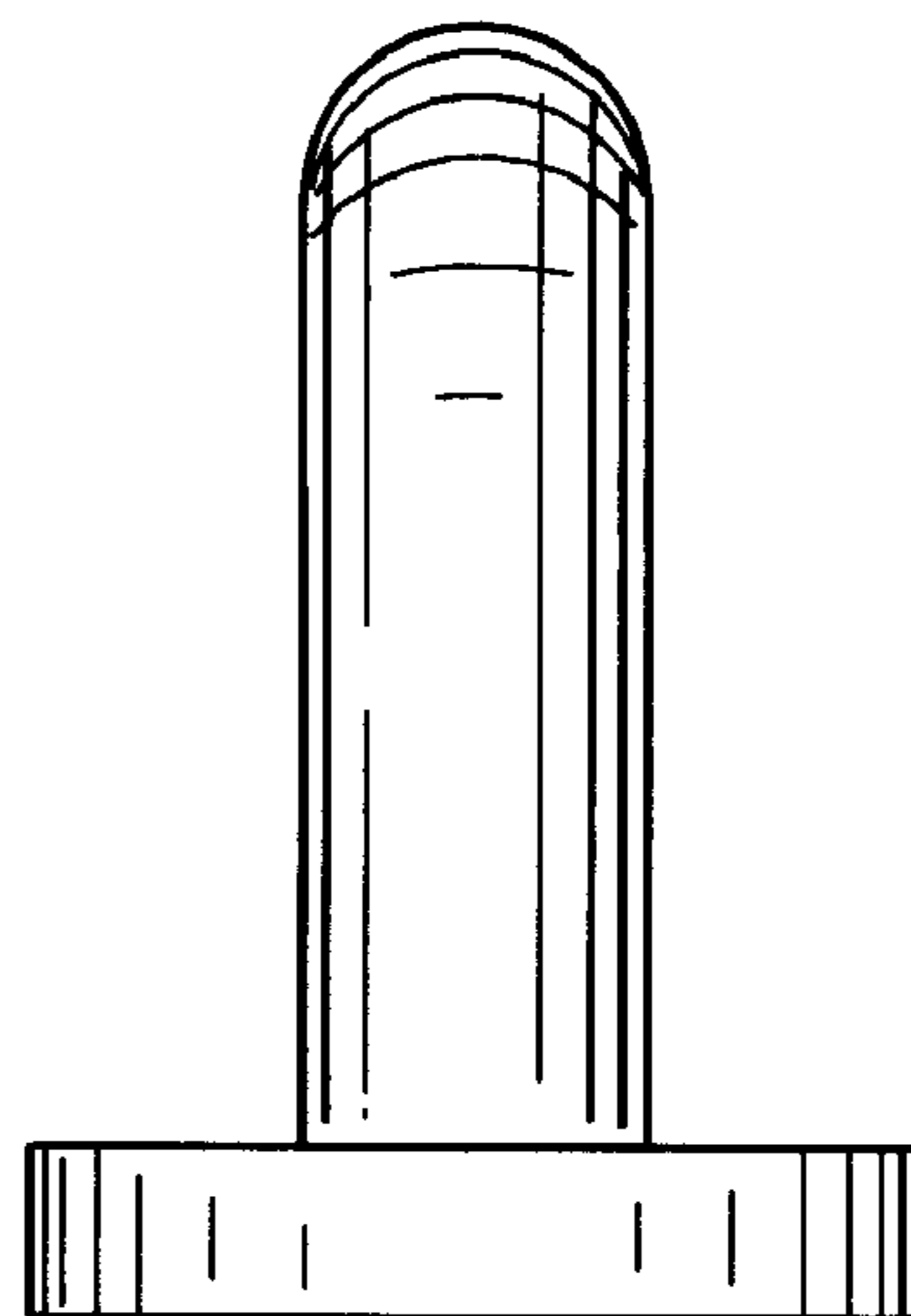


FIG. 11



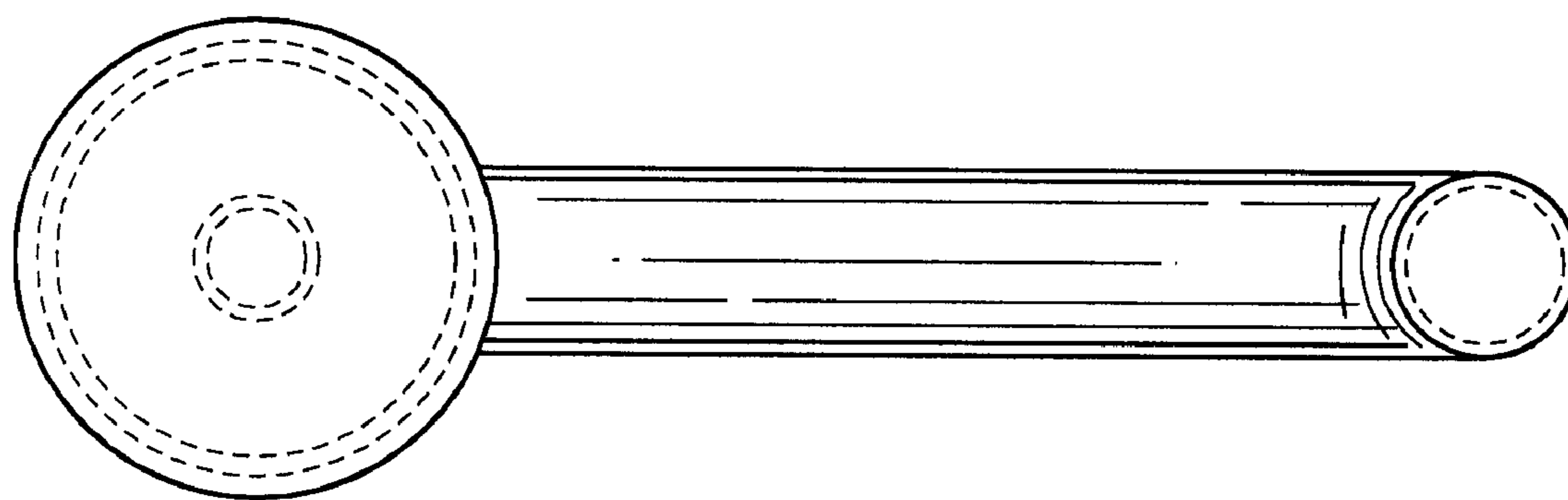


FIG. 12