



US00D582520S

(12) **United States Design Patent**  
**Lobermeier et al.**

(10) **Patent No.:** **US D582,520 S**  
(45) **Date of Patent:** **\*\* Dec. 9, 2008**

(54) **THREE-HOLE DECK-MOUNT FAUCET**

(75) Inventors: **Hans Lobermeier**, Menden (DE);  
**Jochen Allard**, Menden (DE); **Paul Flowers**, Dusseldorf (DE)

(73) Assignee: **Grohe AG**, Hemer (DE)

(\*\*) Term: **14 Years**

(21) Appl. No.: **29/288,912**

(22) Filed: **Jun. 26, 2007**

(30) **Foreign Application Priority Data**

Dec. 26, 2006 (DE) ..... 000644109

(51) **LOC (8) Cl.** ..... **23-01**

(52) **U.S. Cl.** ..... **D23/242**

(58) **Field of Classification Search** ..... D23/200,  
D23/238-257; D6/512, 546, 550; D8/300,  
D8/307-308, 310-312, 321; 4/675-678;  
137/801; 16/110.1, 441

See application file for complete search history.

(56) **References Cited**

**U.S. PATENT DOCUMENTS**

D399,926 S \* 10/1998 Lord ..... D23/241

D466,982 S \* 12/2002 Gerlach ..... D23/242  
D492,392 S \* 6/2004 Pohl et al. .... D23/242  
D529,584 S \* 10/2006 Buschmann ..... D23/238  
D541,907 S \* 5/2007 Qing ..... D23/238

\* cited by examiner

*Primary Examiner*—Robert A. Delehanty

*Assistant Examiner*—Mark Cavanna

(74) *Attorney, Agent, or Firm*—Andrew Wilford

(57) **CLAIM**

The ornamental design for three-hole deck-mount faucet, as shown and described.

**DESCRIPTION**

FIG. 1 is a perspective view of the three-hole deck-mount faucet according to the invention, the surrounding deck that is not part of the invention being indicated in dashed lines;

FIG. 2 is a left-side elevation view of the faucet;

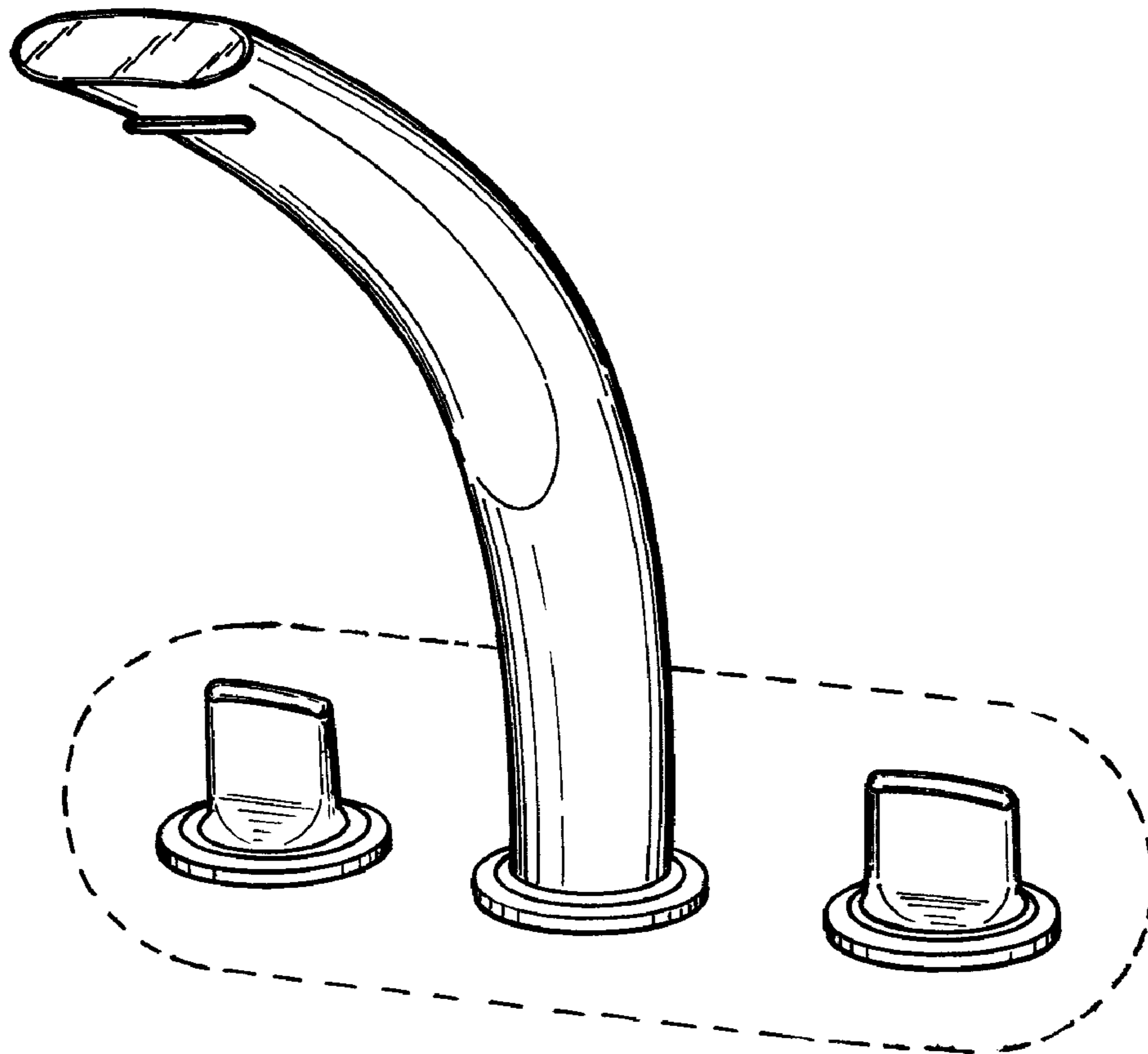
FIG. 3 is a right-side elevation view of the faucet;

FIG. 4 is a front view of the faucet;

FIG. 5 is a back view of the faucet; and,

FIG. 6 is a top view of the faucet.

**1 Claim, 3 Drawing Sheets**



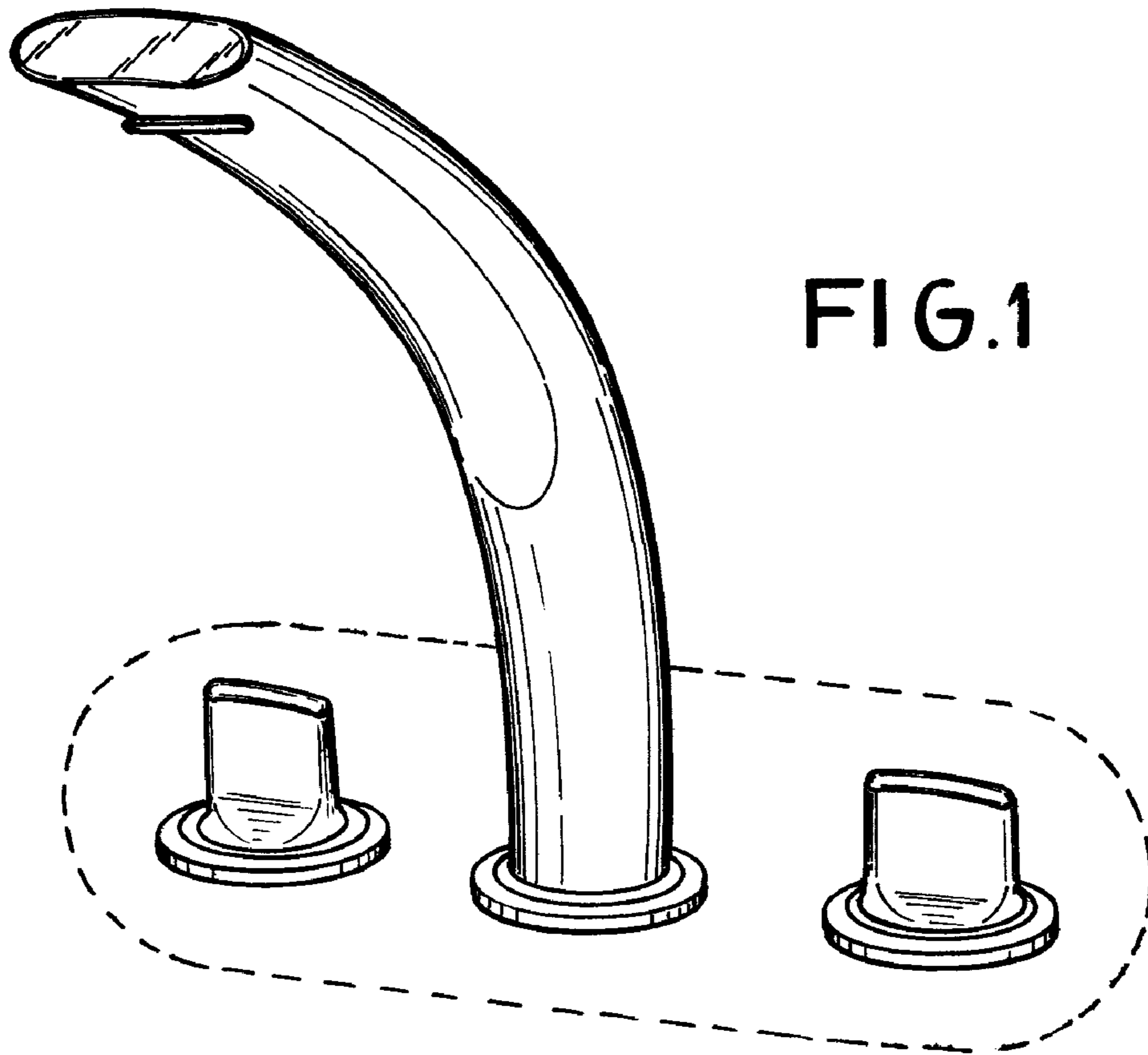


FIG. 1

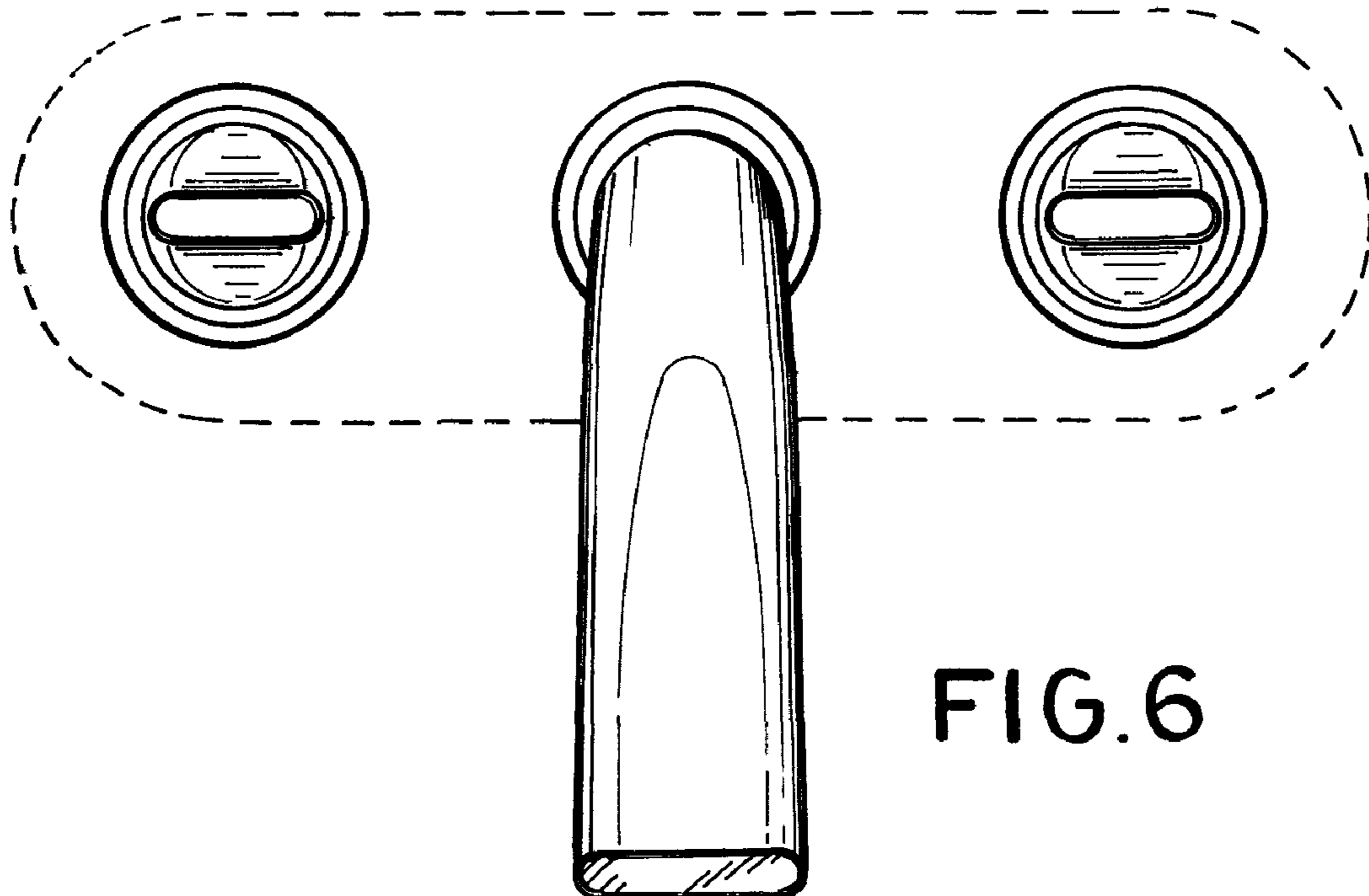


FIG. 6

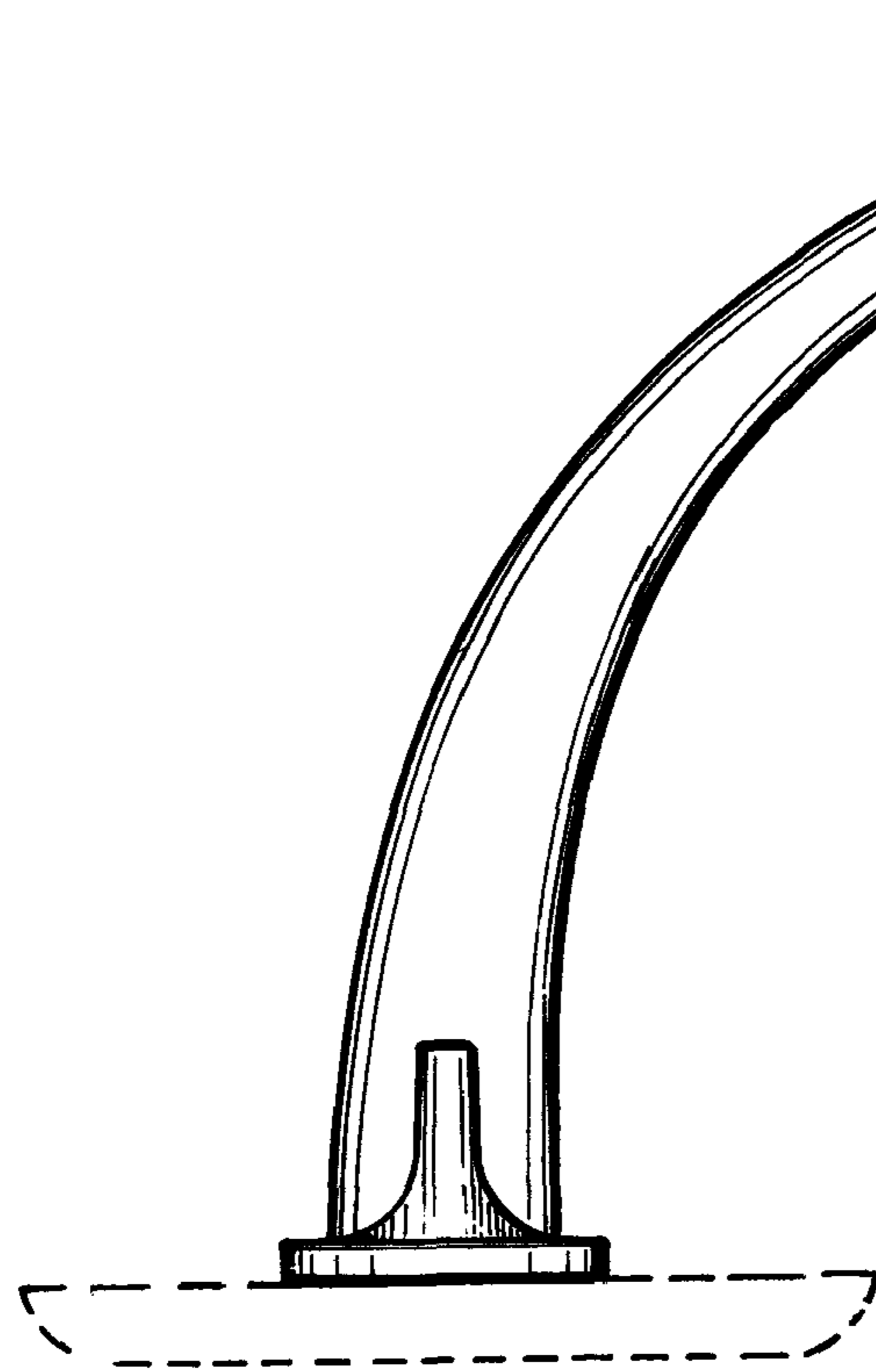


FIG. 2

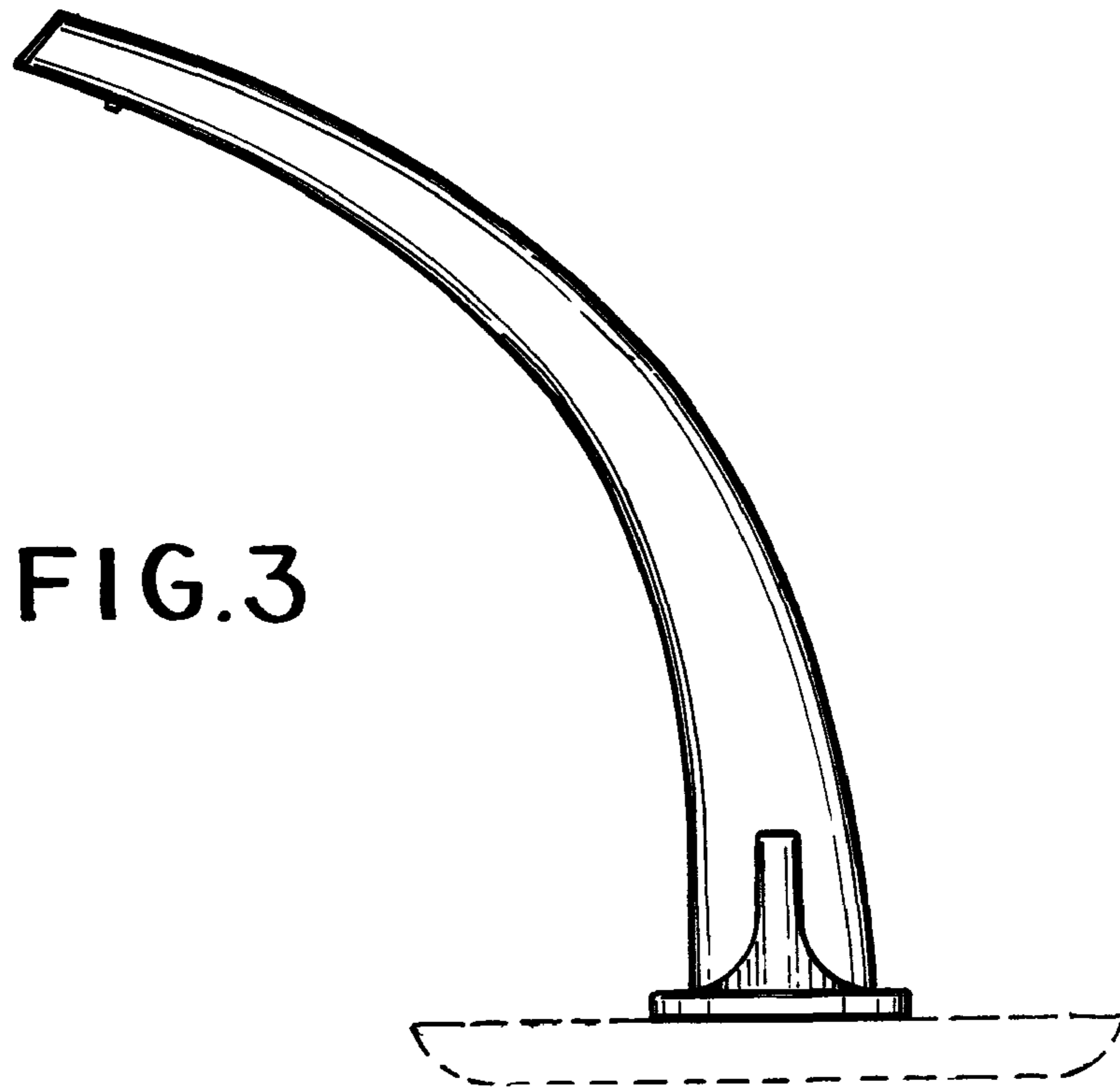


FIG. 3

