



US00D582518S

(12) **United States Design Patent**
Flowers et al.

(10) **Patent No.:** **US D582,518 S**
(45) **Date of Patent:** **** Dec. 9, 2008**

(54) **DECK-MOUNT FAUCET**

D553,714 S * 10/2007 Demmer et al. D23/238
D564,074 S * 3/2008 Zhang D23/238
D567,909 S * 4/2008 Schonherr et al. D23/238

(75) Inventors: **Paul Flowers**, Düsseldorf (DE); **Patrick Speck**, Düsseldorf (DE)

* cited by examiner

(73) Assignee: **Grohe AG**, Hemer (DE)

Primary Examiner—Robin V Webster

(**) Term: **14 Years**

(74) *Attorney, Agent, or Firm*—Andrew Wilford

(21) Appl. No.: **29/305,560**

(57) **CLAIM**

(22) Filed: **Mar. 24, 2008**

The ornamental design for a deck-mount faucet, as shown and described.

(30) **Foreign Application Priority Data**

DESCRIPTION

Oct. 16, 2007 (EM) 000809173-0001

FIG. 1 is a perspective view from in front, above, and to the right of the faucet according to the invention;

(51) **LOC (8) Cl.** **23-01**

FIG. 2 is a front elevational view of the faucet;

(52) **U.S. Cl.** **D23/238**

FIG. 3 is a rear elevational view of the faucet;

(58) **Field of Classification Search** D23/238,
D23/241–242, 243, 245, 252, 255; 4/675–678;
137/615, 801

FIG. 4 is a right-side elevational view of the faucet;

See application file for complete search history.

FIG. 5 is a left-side elevational view of the faucet;

(56) **References Cited**

FIG. 6 is a top view of the faucet; and,

U.S. PATENT DOCUMENTS

FIG. 7 is a bottom view of the faucet.

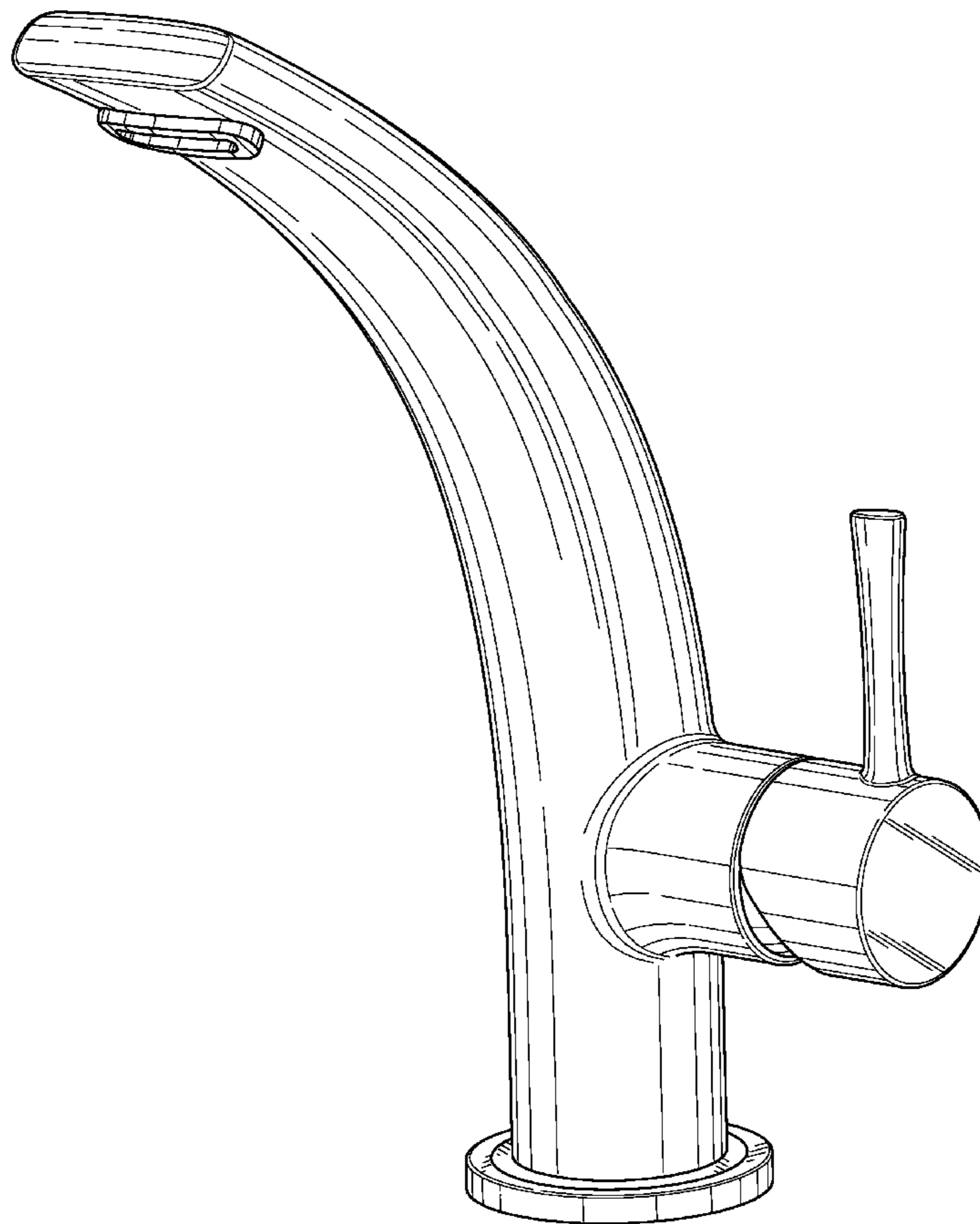
D535,358 S * 1/2007 Demmer et al. D23/238

The broken line showing in FIG. 7 is included for the purpose of illustrating and forms no part of the claimed design.

D539,870 S * 4/2007 Lammel et al. D23/238

D544,945 S * 6/2007 Wood et al. D23/238

1 Claim, 7 Drawing Sheets



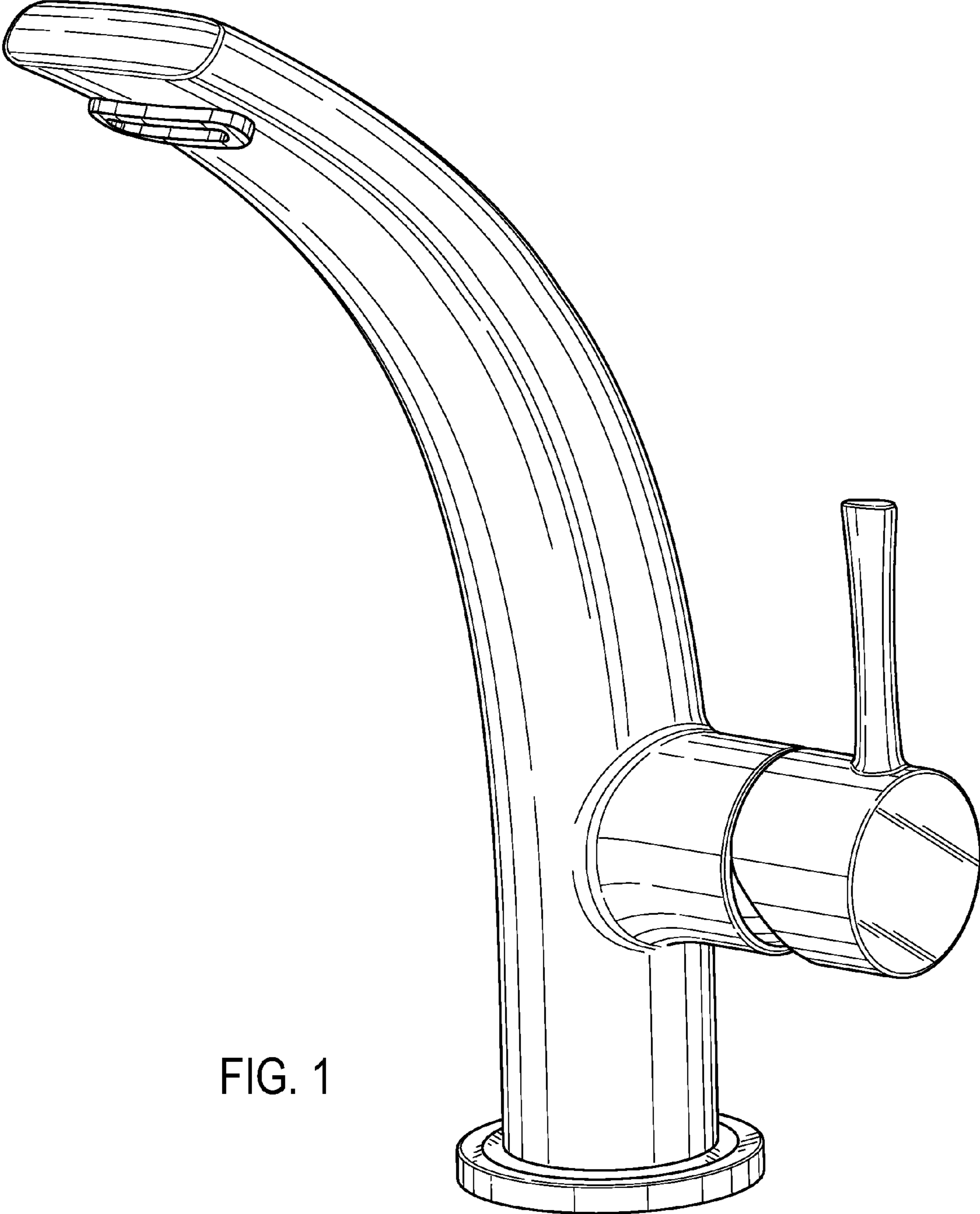


FIG. 1

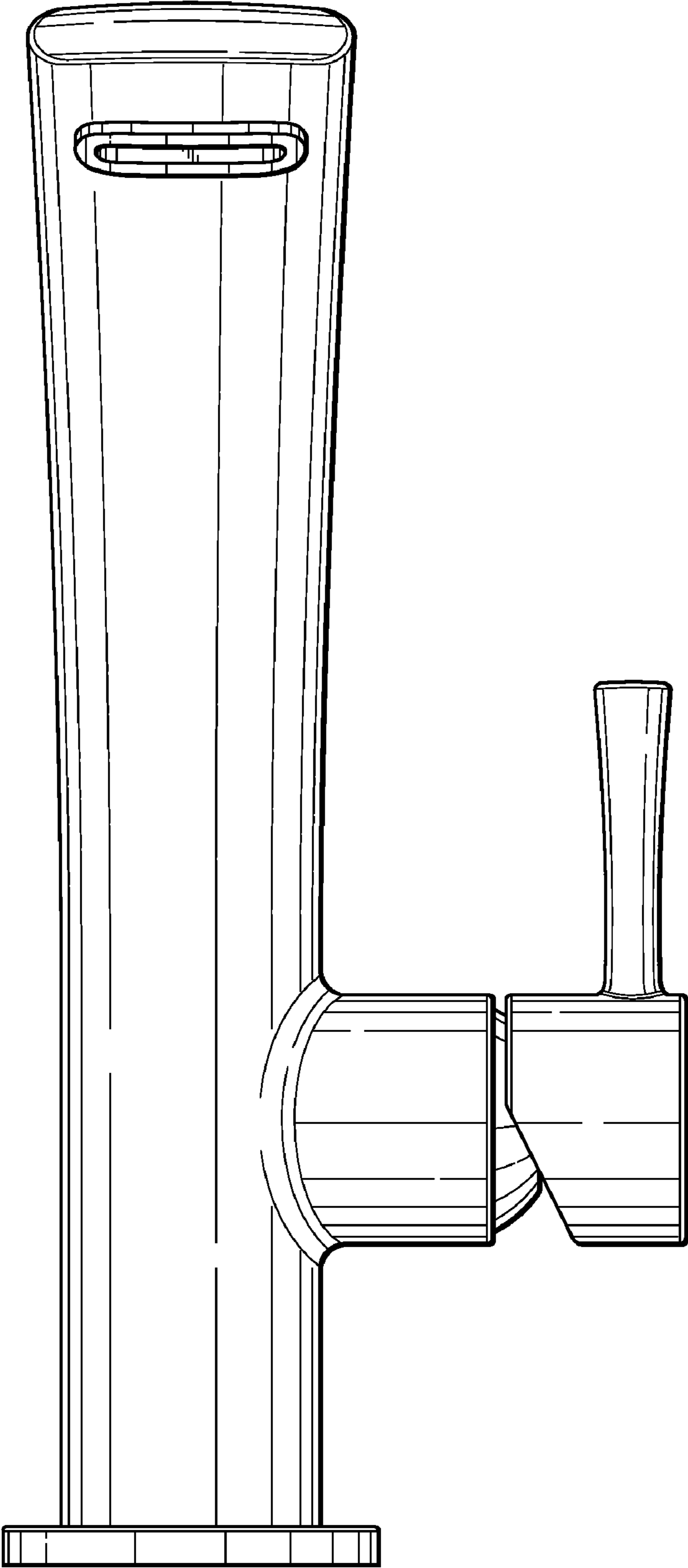


FIG. 2

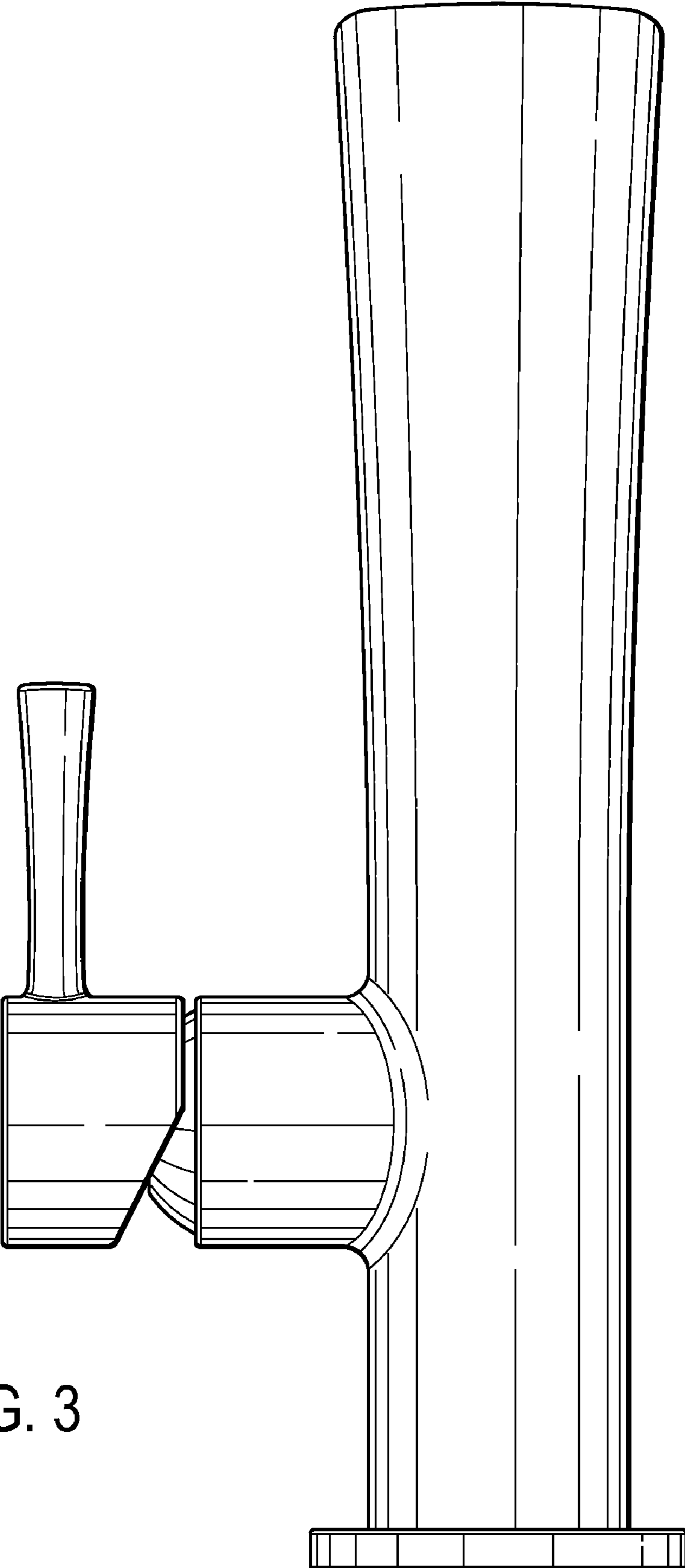


FIG. 3

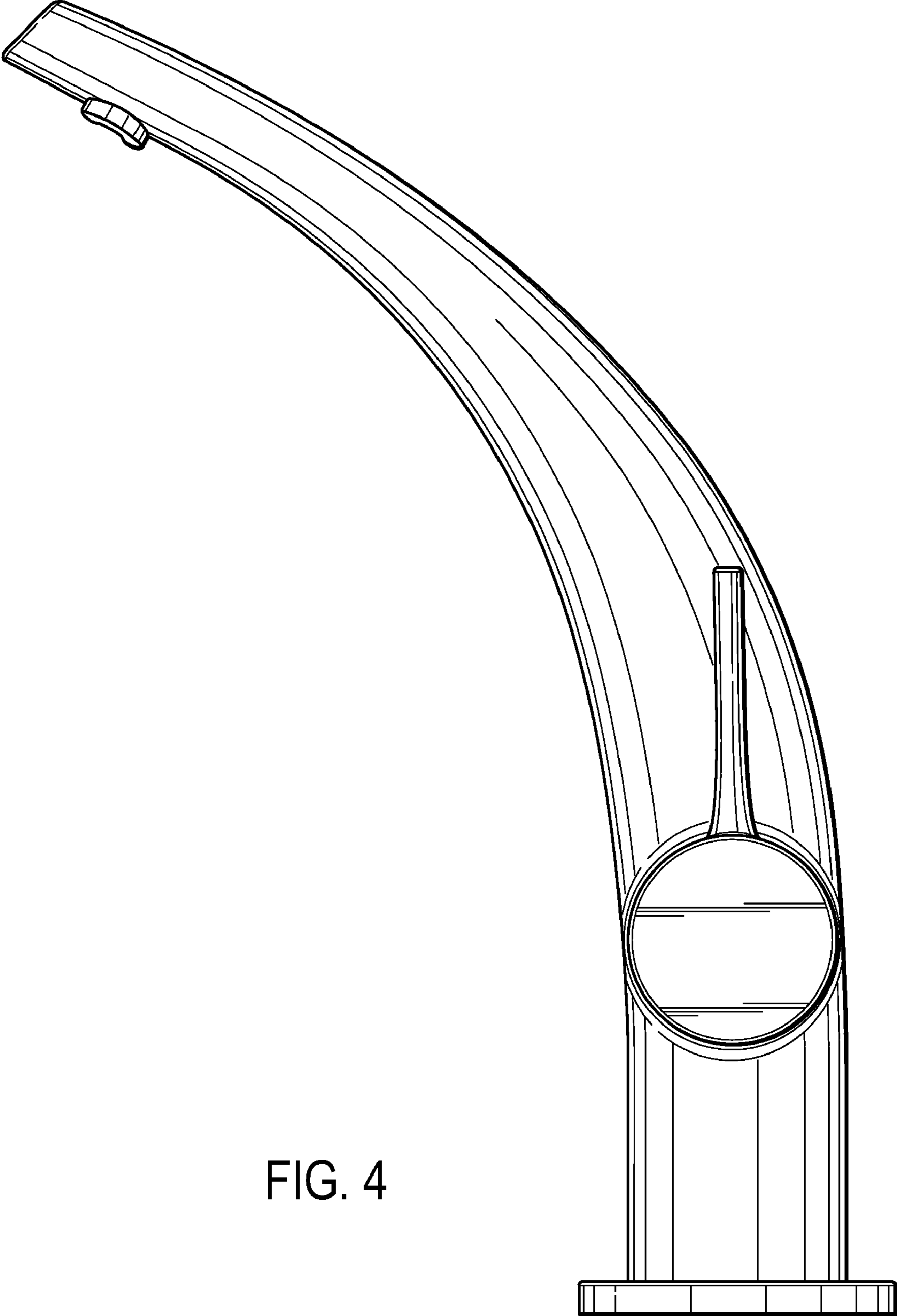


FIG. 4

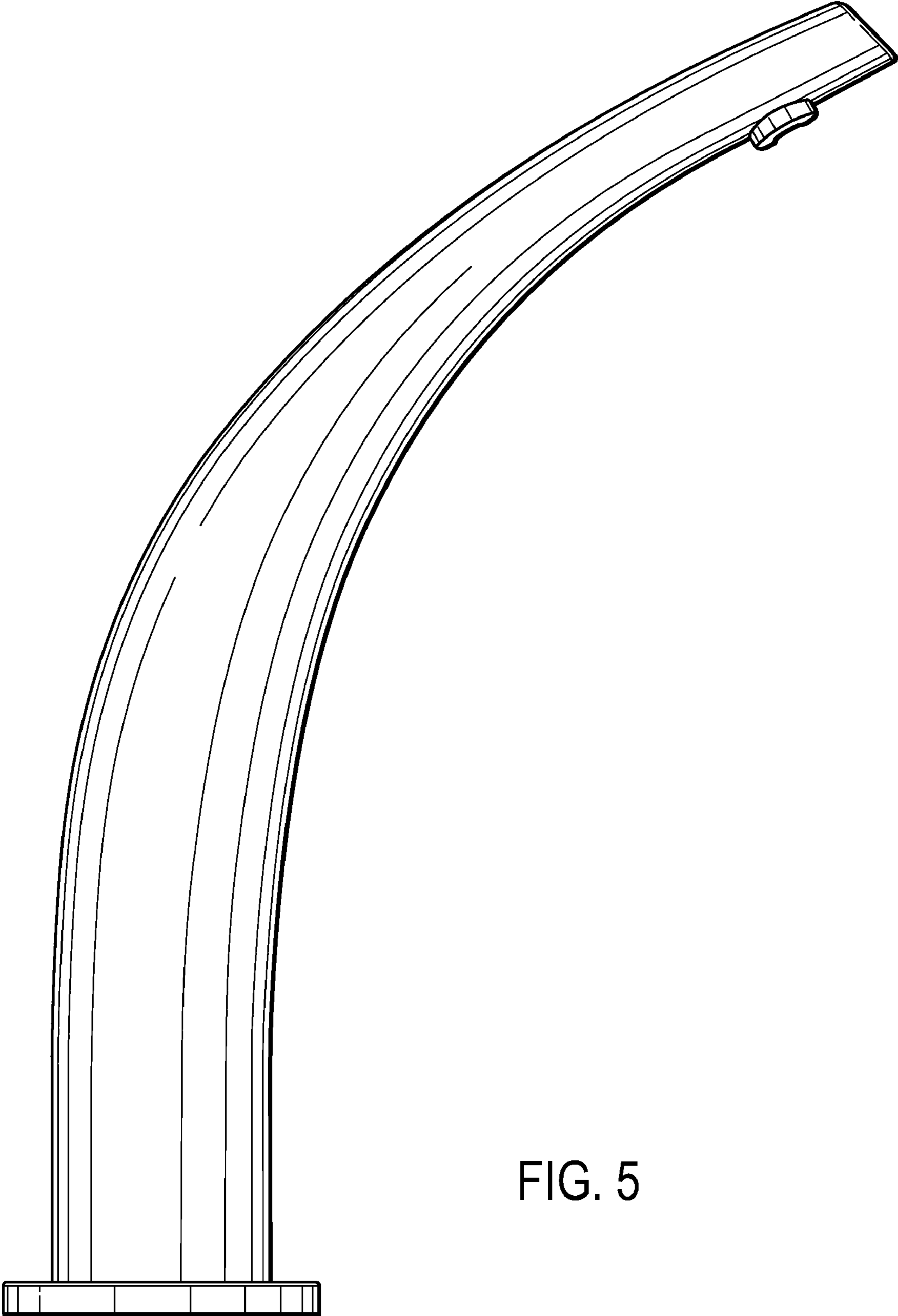


FIG. 5

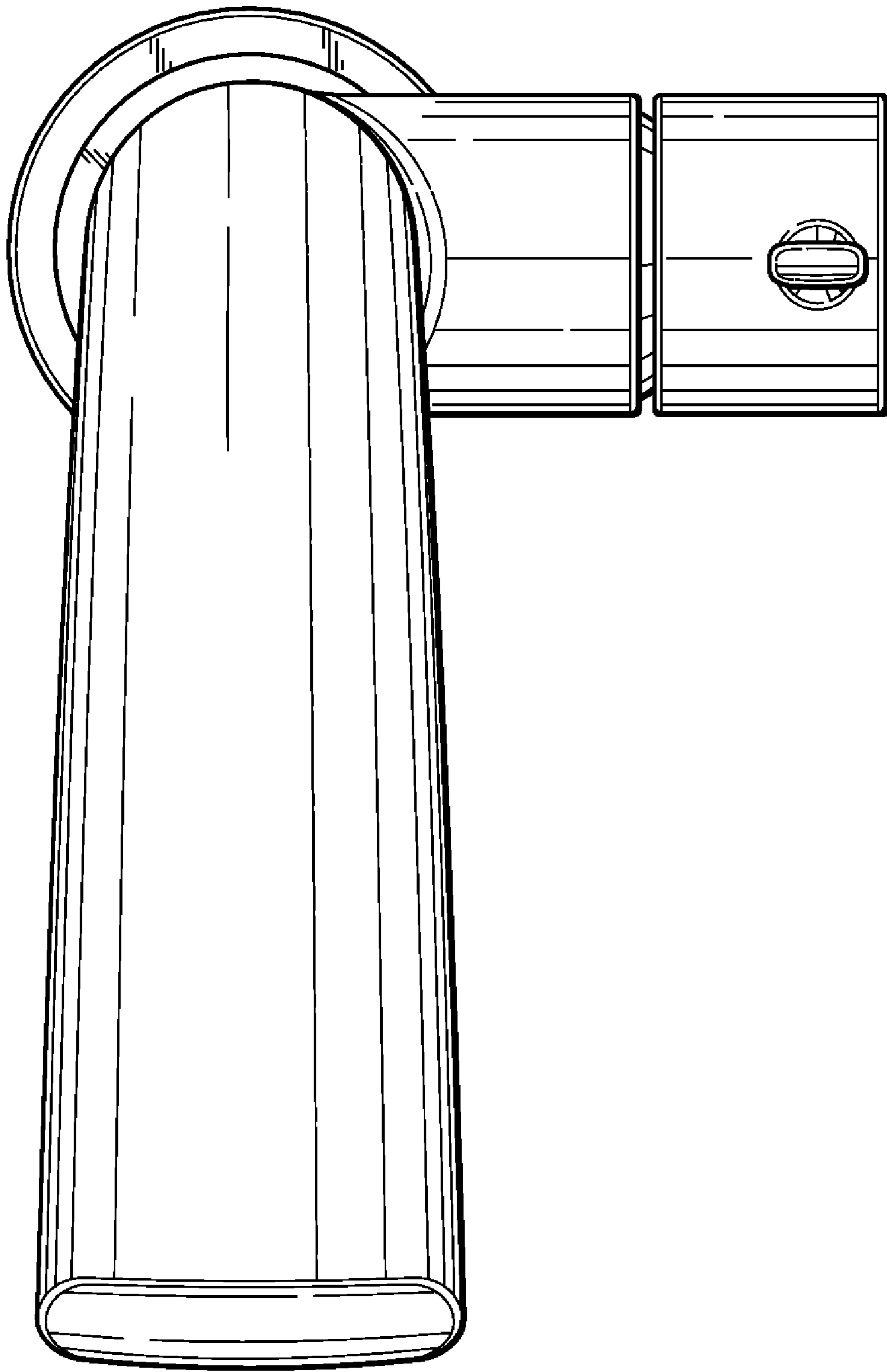


FIG. 6

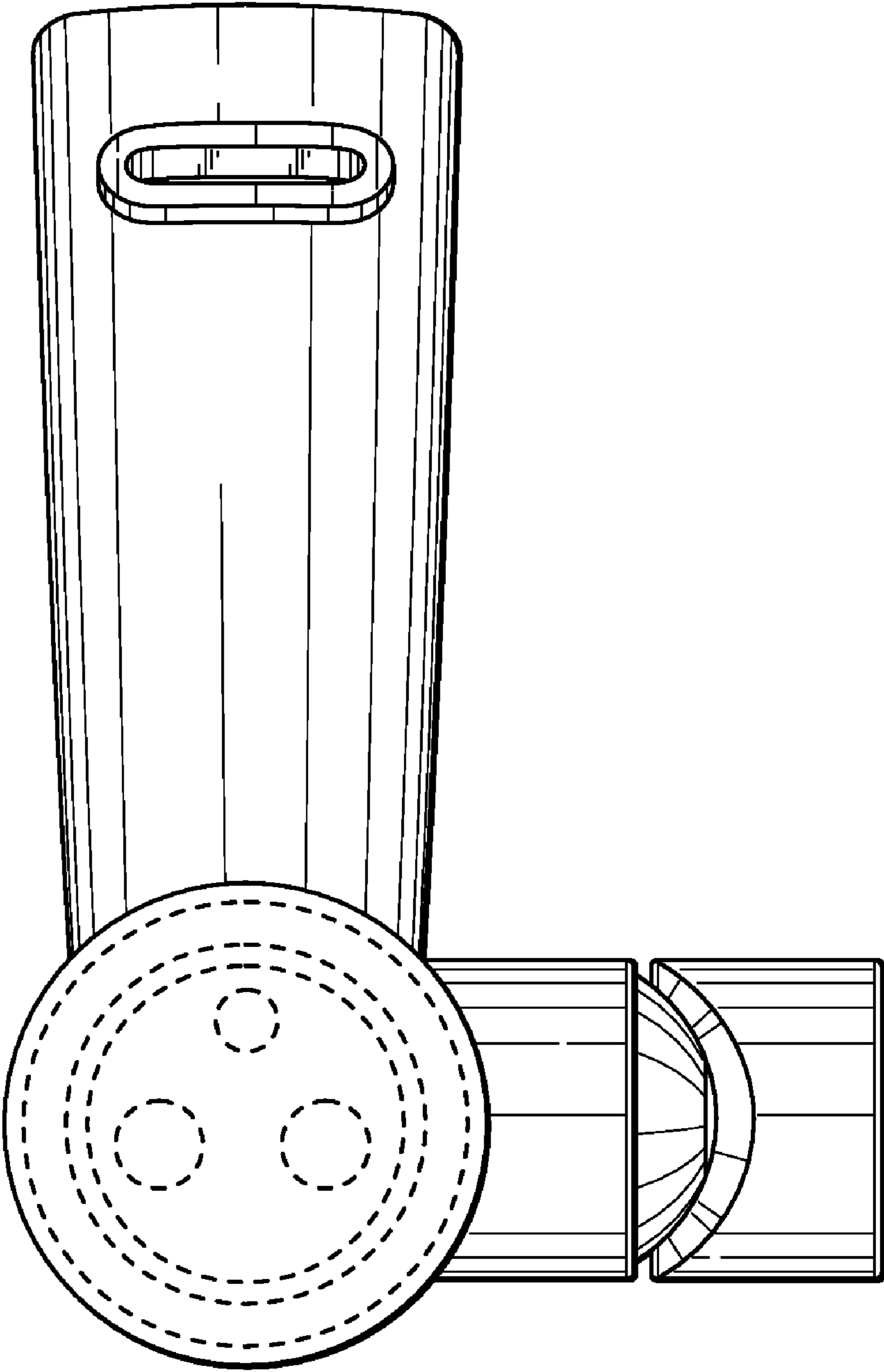


FIG. 7