



US00D582517S

(12) **United States Design Patent**
Lobermeier et al.

(10) **Patent No.:** **US D582,517 S**

(45) **Date of Patent:** **** Dec. 9, 2008**

(54) **DECK-MOUNT FAUCET**

D525,345 S * 7/2006 Anderson D23/238
D529,584 S * 10/2006 Buschmann D23/238
D541,907 S * 5/2007 Qing D23/238

(75) Inventors: **Hans Lobermeier**, Menden (DE);
Jochen Allard, Menden (DE); **Paul
Flowers**, Dusseldorf (DE)

* cited by examiner

(73) Assignee: **Grohe AG**, Hemer (DE)

Primary Examiner—Robert A. Delehanty

Assistant Examiner—Mark Cavanna

(**) Term: **14 Years**

(74) *Attorney, Agent, or Firm*—Andrew Wilford

(21) Appl. No.: **29/288,910**

(57) **CLAIM**

(22) Filed: **Jun. 26, 2007**

The ornamental design for deck-mount faucet, as shown and described.

(30) **Foreign Application Priority Data**

DESCRIPTION

Dec. 26, 2006 (DE) 000644109

FIG. 1 is a perspective view of the faucet according to the invention, the deck and displayed indicia that do not form part of the invention being shown in dashed lines;

(51) **LOC (8) Cl.** **23-01**

(52) **U.S. Cl.** **D23/238**

(58) **Field of Classification Search** D23/200,
D23/238-257; D6/512, 546, 550; D8/300,
D8/307-308, 310-312, 321; 4/675-678;
137/801; 16/110.1, 441

FIG. 2 is a left-side elevation view of the faucet;

FIG. 3 is a right-side elevation view of the faucet;

FIG. 4 is a front view of the faucet;

FIG. 5 is a back view of the faucet;

See application file for complete search history.

FIG. 6 is a top view of the faucet showing quiescent and in-use display modes; and,

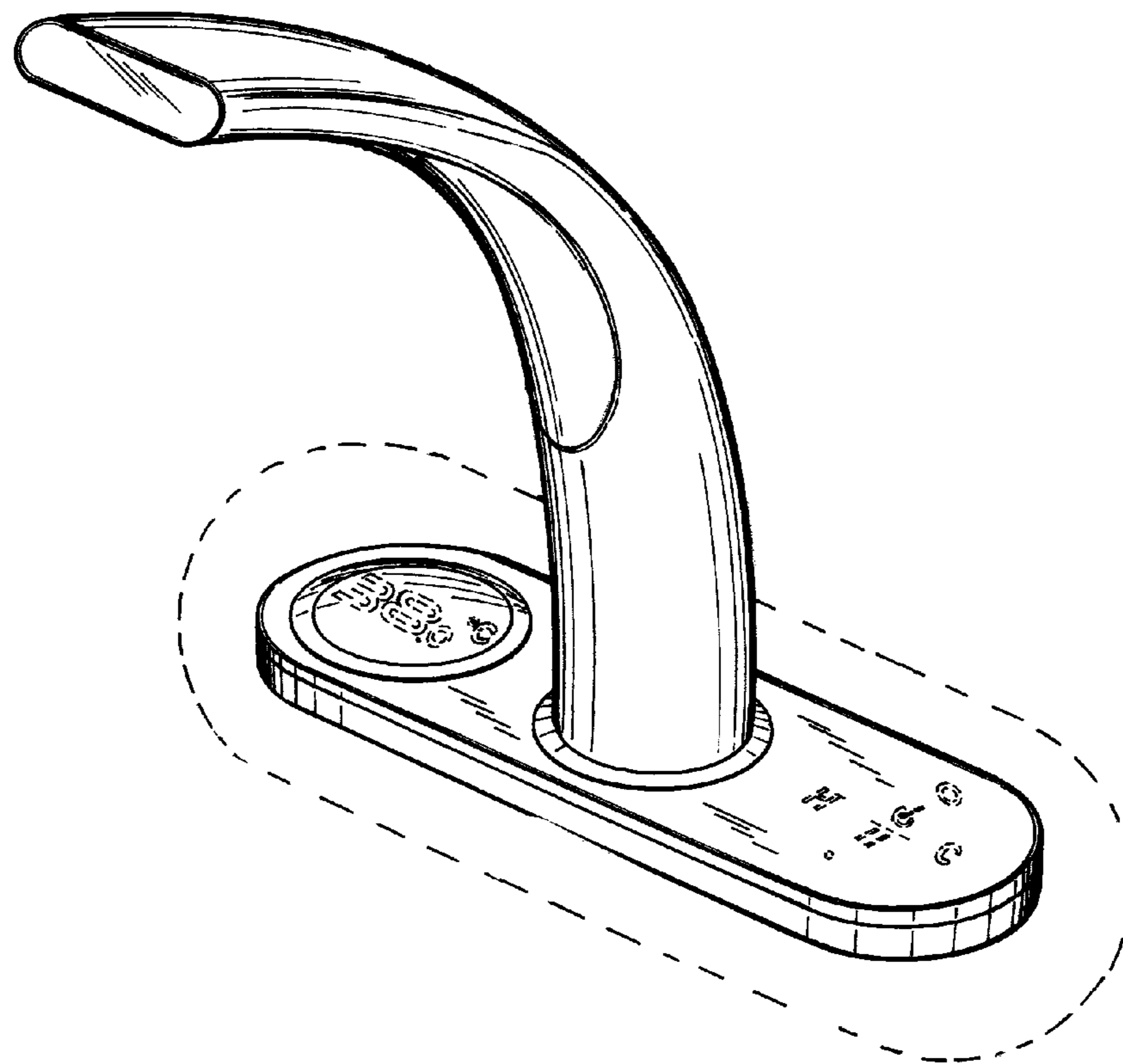
(56) **References Cited**

U.S. PATENT DOCUMENTS

FIG. 7 is a bottom view of the faucet showing quiescent and in-use display modes.

D466,982 S * 12/2002 Gerlach D23/242
D478,372 S * 8/2003 Ouyoung D23/238
D492,392 S * 6/2004 Pohl et al. D23/242

1 Claim, 4 Drawing Sheets



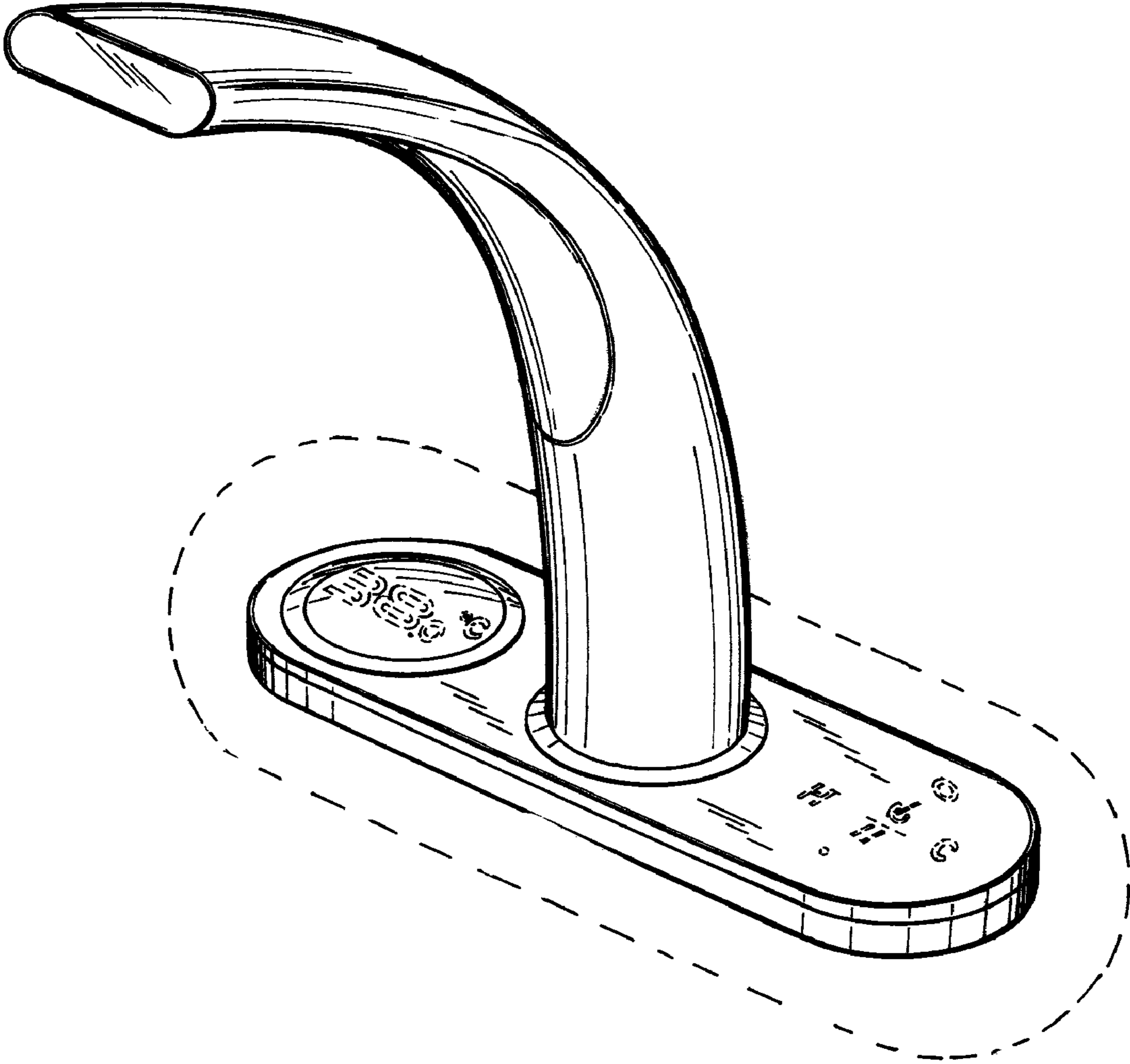


FIG. 1

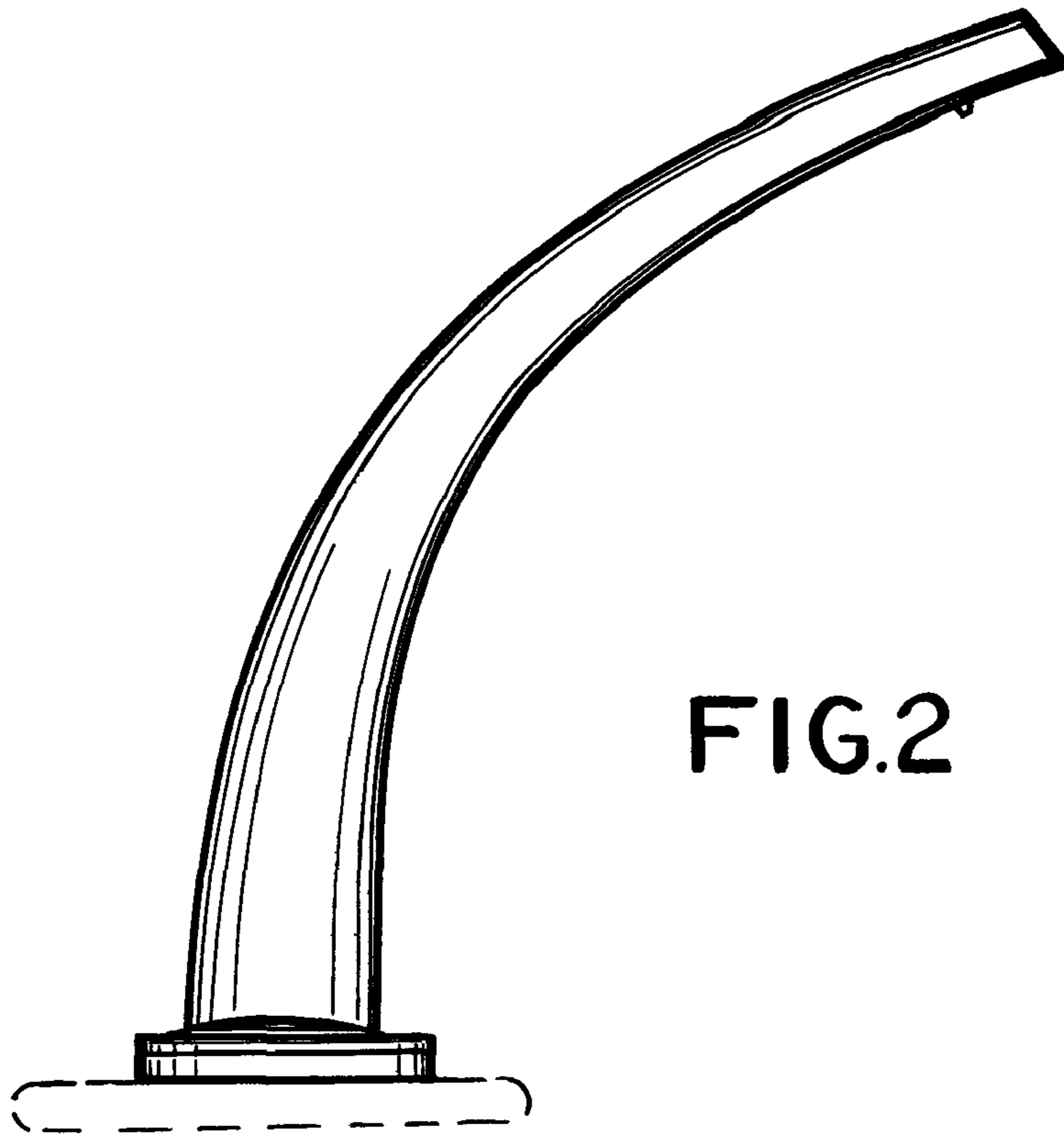


FIG. 2

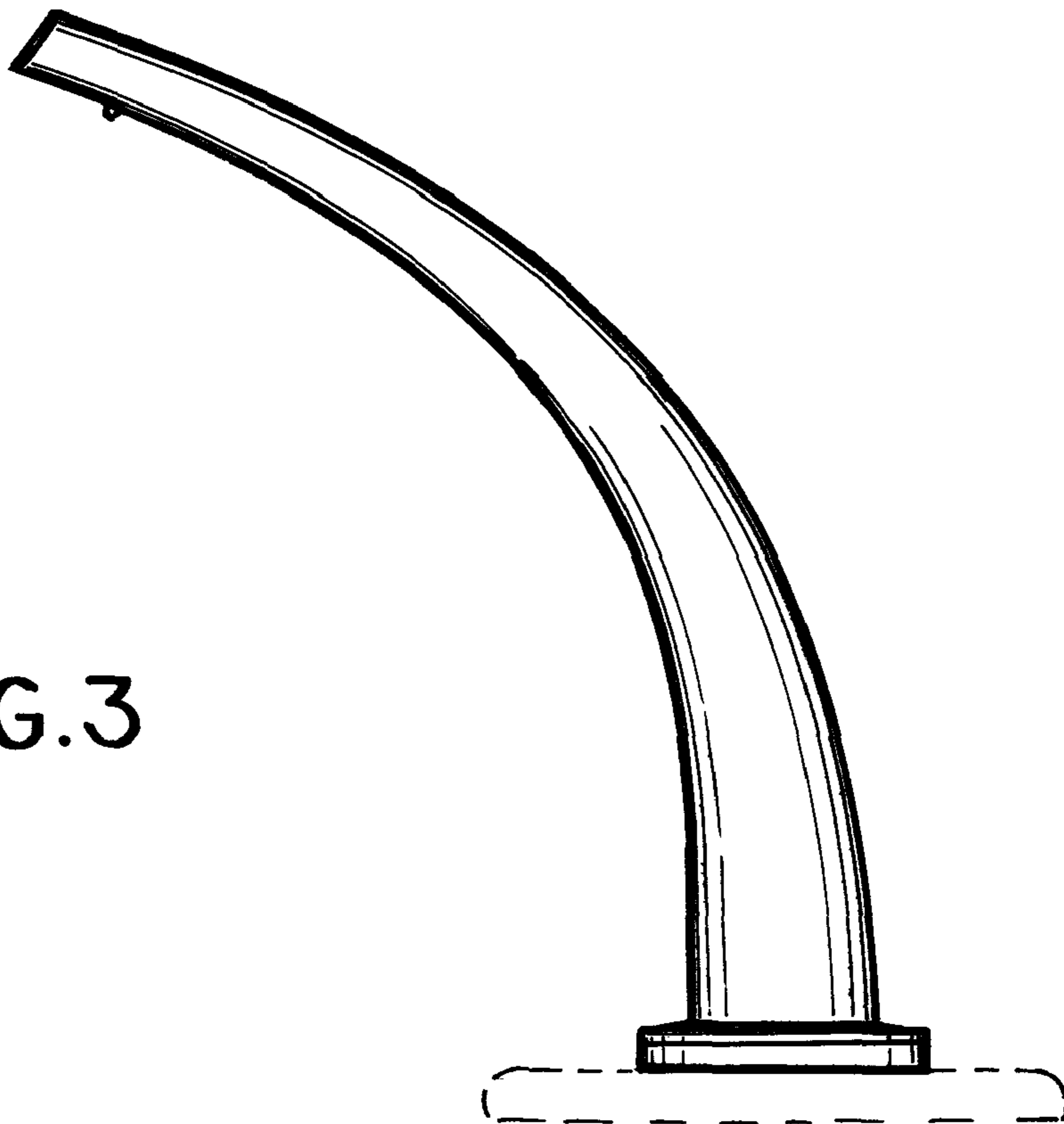


FIG. 3

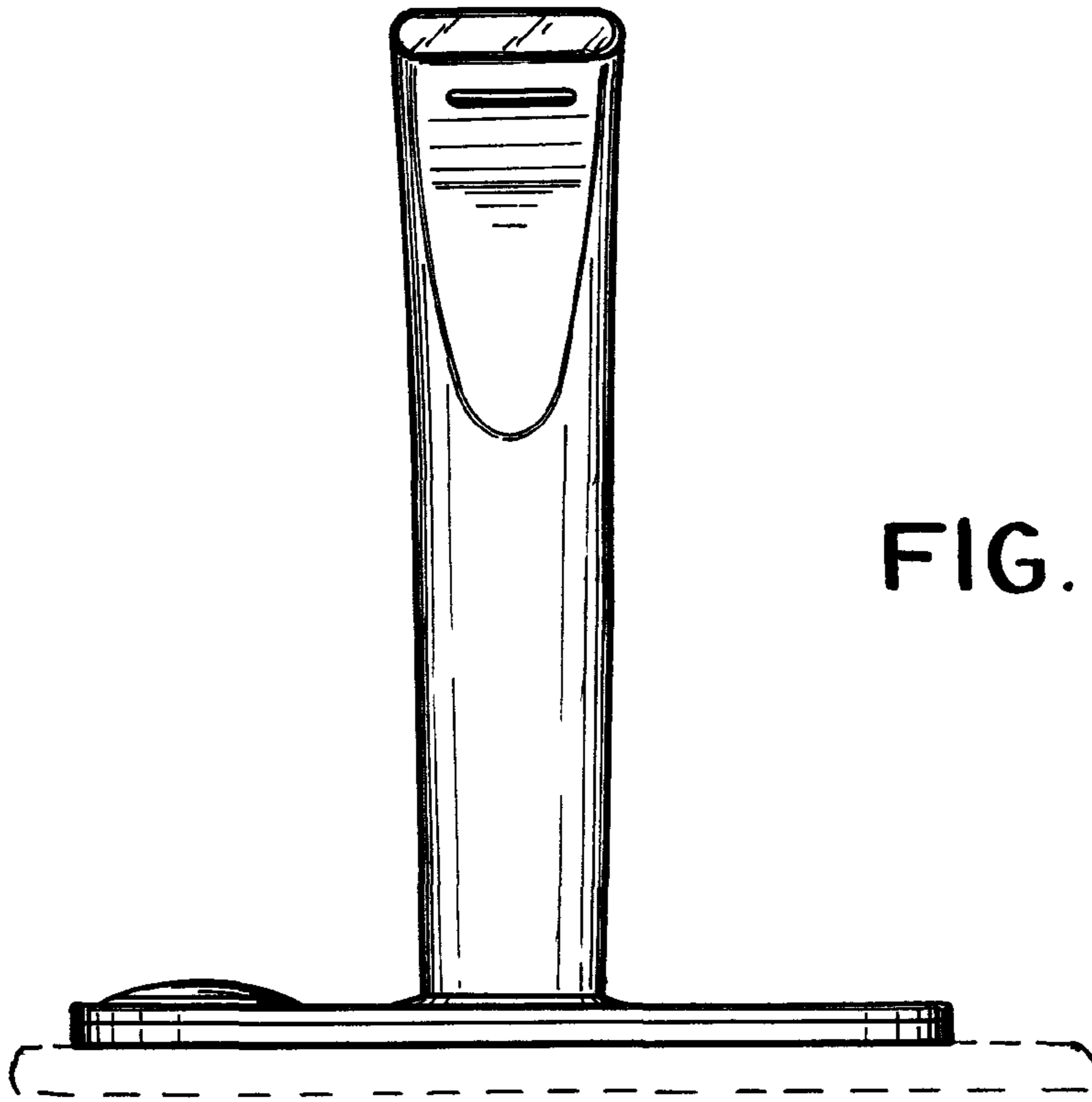


FIG. 4

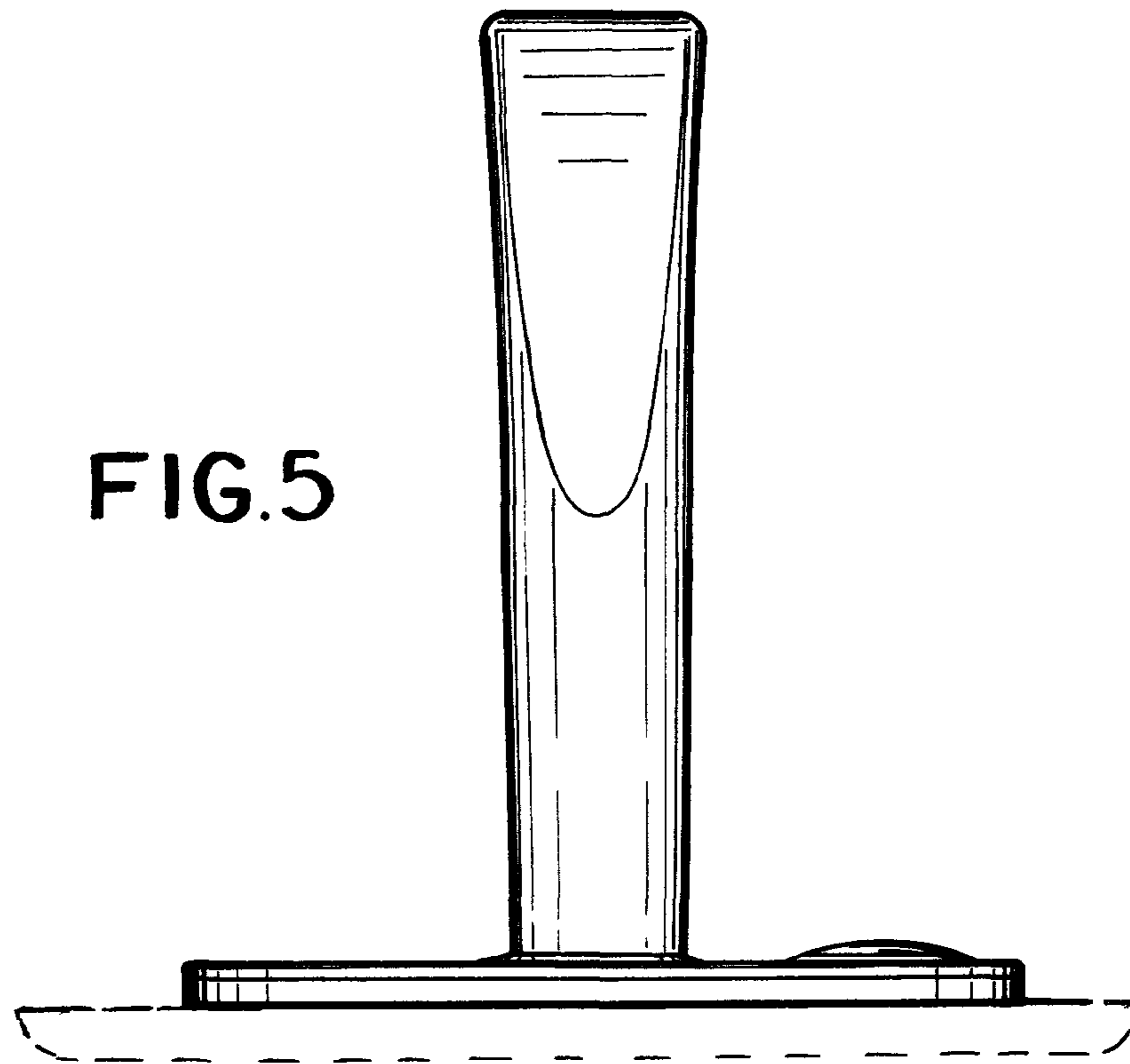


FIG. 5

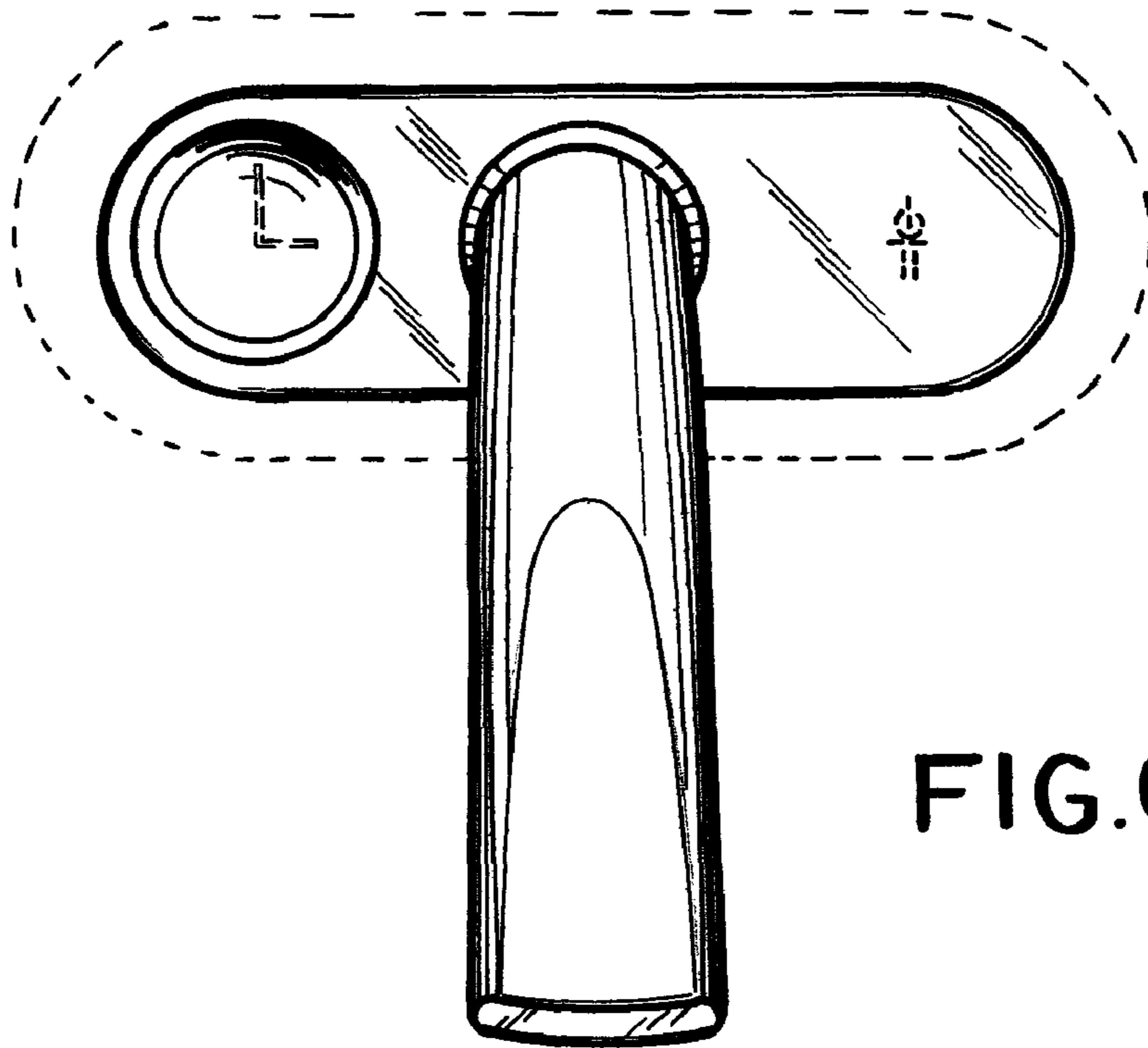


FIG. 6

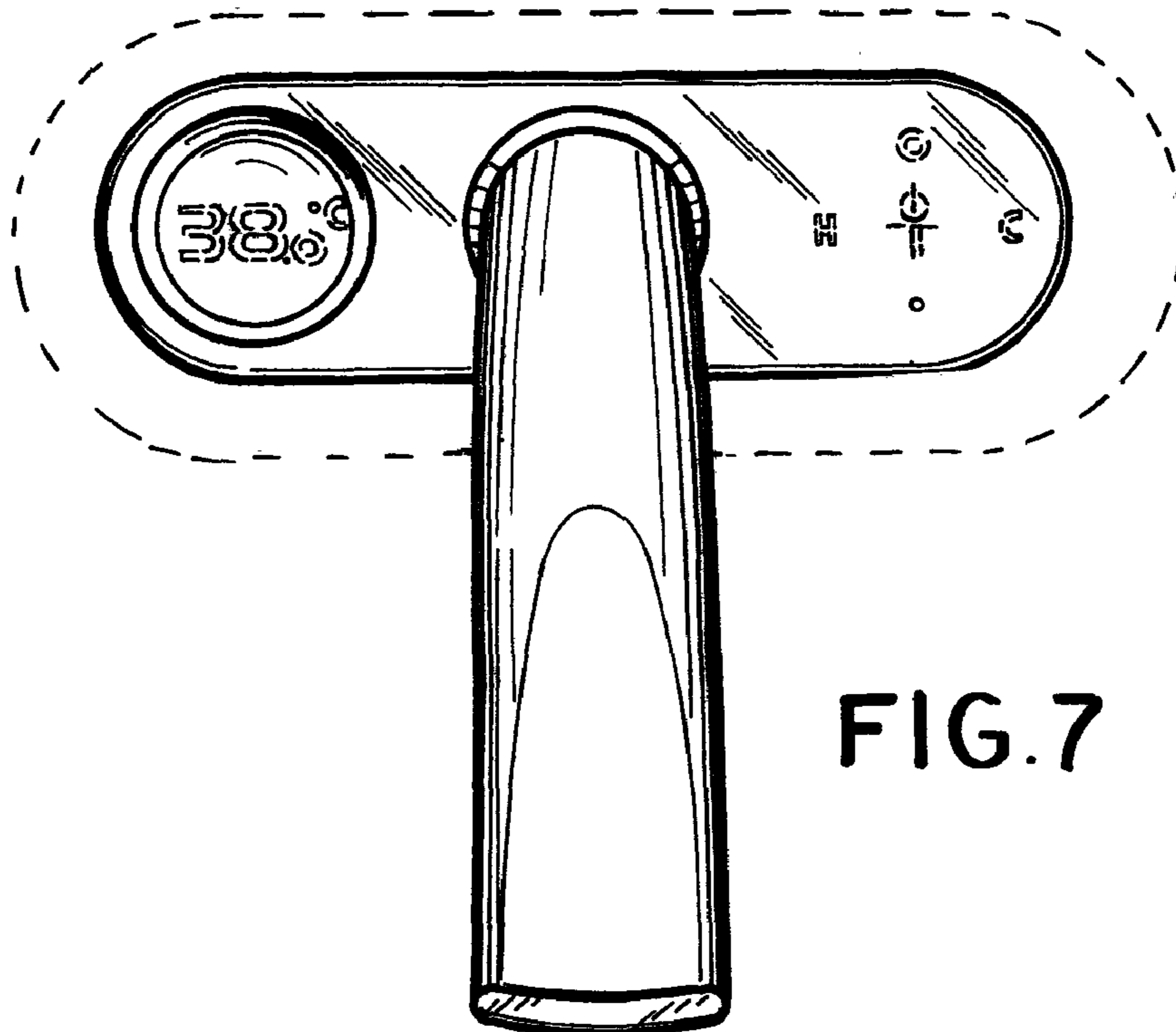


FIG. 7