



US00D582516S

(12) **United States Design Patent**
Lobermeier et al.

(10) **Patent No.:** **US D582,516 S**

(45) **Date of Patent:** **** Dec. 9, 2008**

(54) **TWO-HOLE DECK-MOUNT FAUCET**

(75) Inventors: **Hans Lobermeier**, Menden (DE);
Jochen Allard, Menden (DE); **Paul Flowers**, Dusseldorf (DE)

(73) Assignee: **Grohe AG**, Hemer (DE)

(**) Term: **14 Years**

(21) Appl. No.: **29/288,909**

(22) Filed: **Jun. 26, 2007**

(30) **Foreign Application Priority Data**

Dec. 26, 2006 (DE) 000644109

(51) **LOC (8) Cl.** **23-01**

(52) **U.S. Cl.** **D23/238**

(58) **Field of Classification Search** D23/200,
D23/238-257; D6/512, 546, 550; D8/300,
D8/307-308, 310-312, 321; 4/675-678;
137/801; 16/110.1, 441

See application file for complete search history.

(56) **References Cited**

U.S. PATENT DOCUMENTS

D421,486 S * 3/2000 Slothower et al. D23/255
D492,392 S * 6/2004 Pohl et al. D23/242

D520,600 S * 5/2006 Spangler D23/238
D533,635 S * 12/2006 Chu et al. D23/239
D541,907 S * 5/2007 Qing D23/238
D566,238 S * 4/2008 Lammel et al. D23/239
D570,960 S * 6/2008 Semchuck et al. D23/238

* cited by examiner

Primary Examiner—Robert A. Delehanty

Assistant Examiner—Mark Cavanna

(74) *Attorney, Agent, or Firm*—Andrew Wilford

(57) **CLAIM**

The ornamental design for two-hole deck-mount faucet, as shown and described.

DESCRIPTION

FIG. 1 is a perspective view of the two-hole deck-mount faucet according to the invention, the deck and display indicia that do not form part of the invention being shown in dashed lines;

FIG. 2 is a left-side elevation view of the faucet;

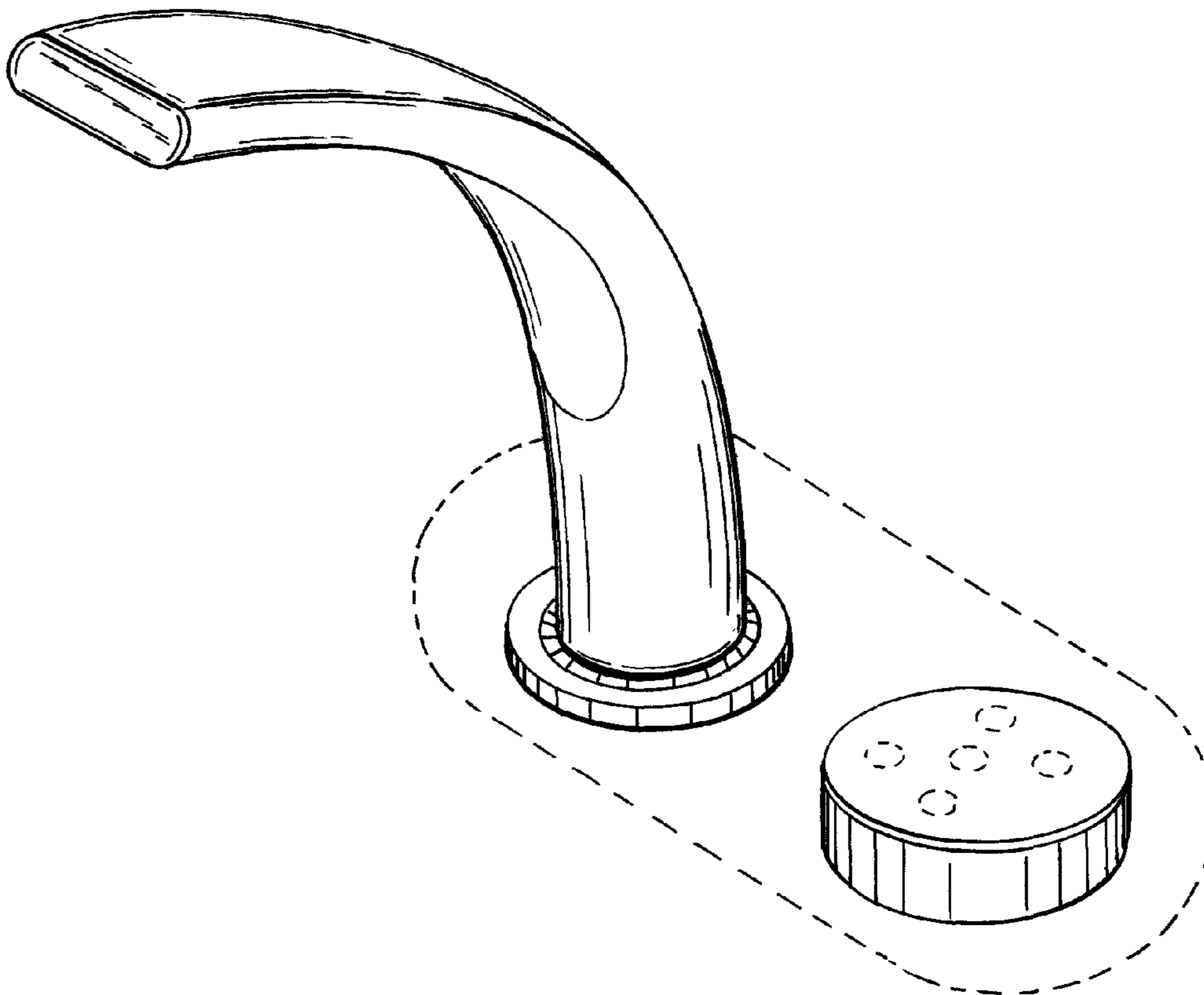
FIG. 3 is a right-side elevation view of the faucet;

FIG. 4 is a front elevation view of the faucet;

FIG. 5 is a back elevation view of the faucet; and,

FIG. 6 is a top view of the faucet.

1 Claim, 4 Drawing Sheets



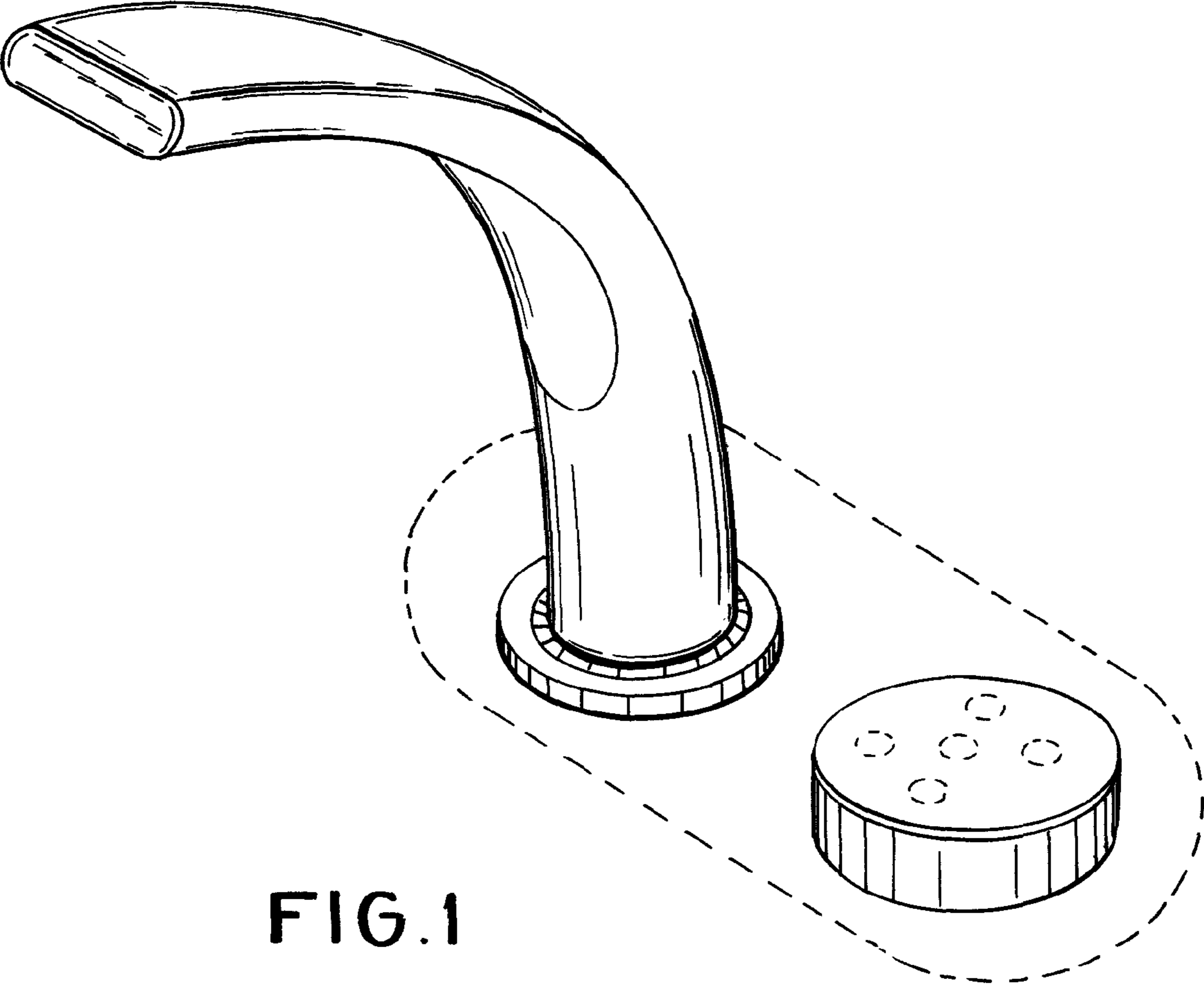


FIG. 1

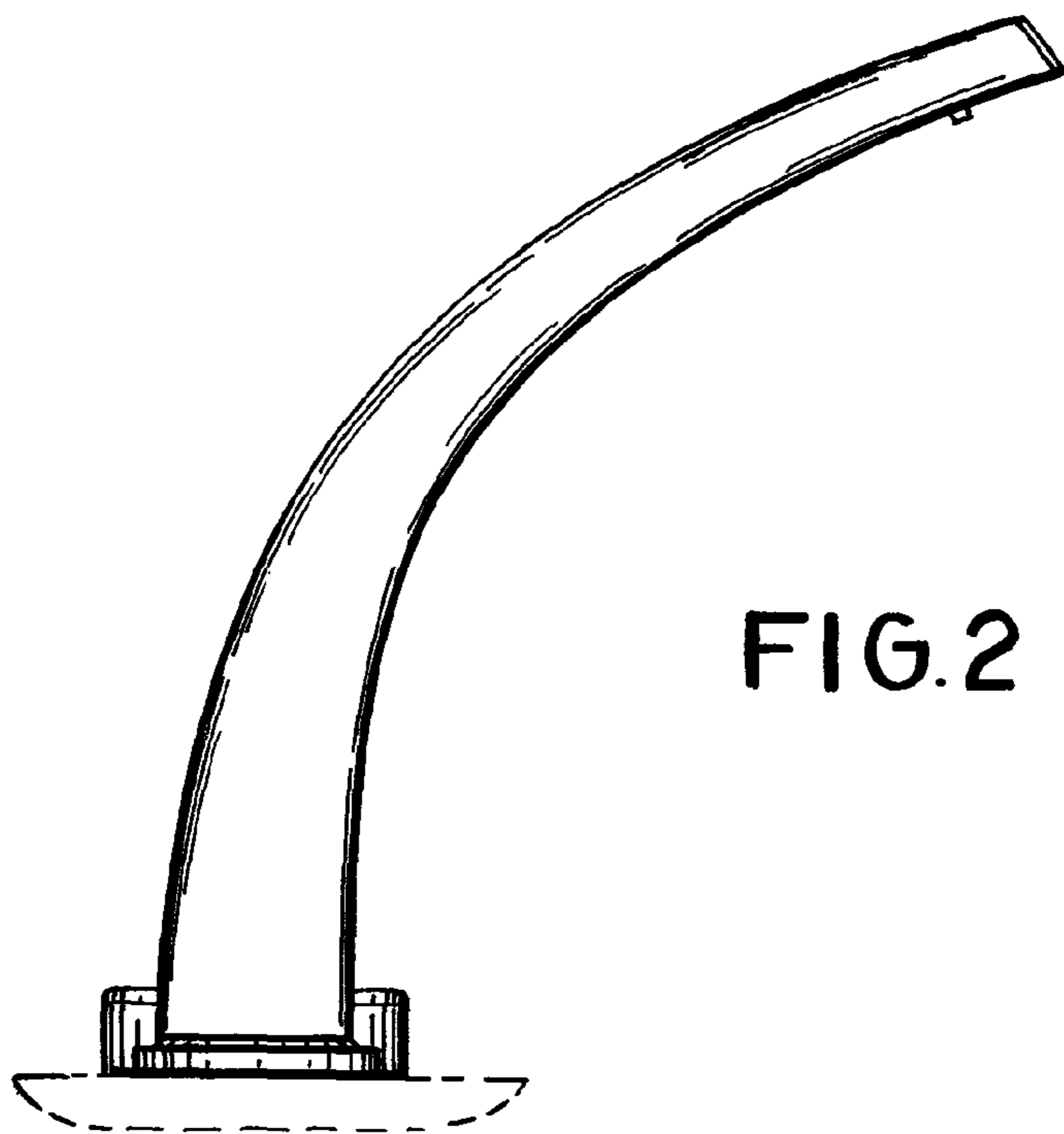


FIG. 2

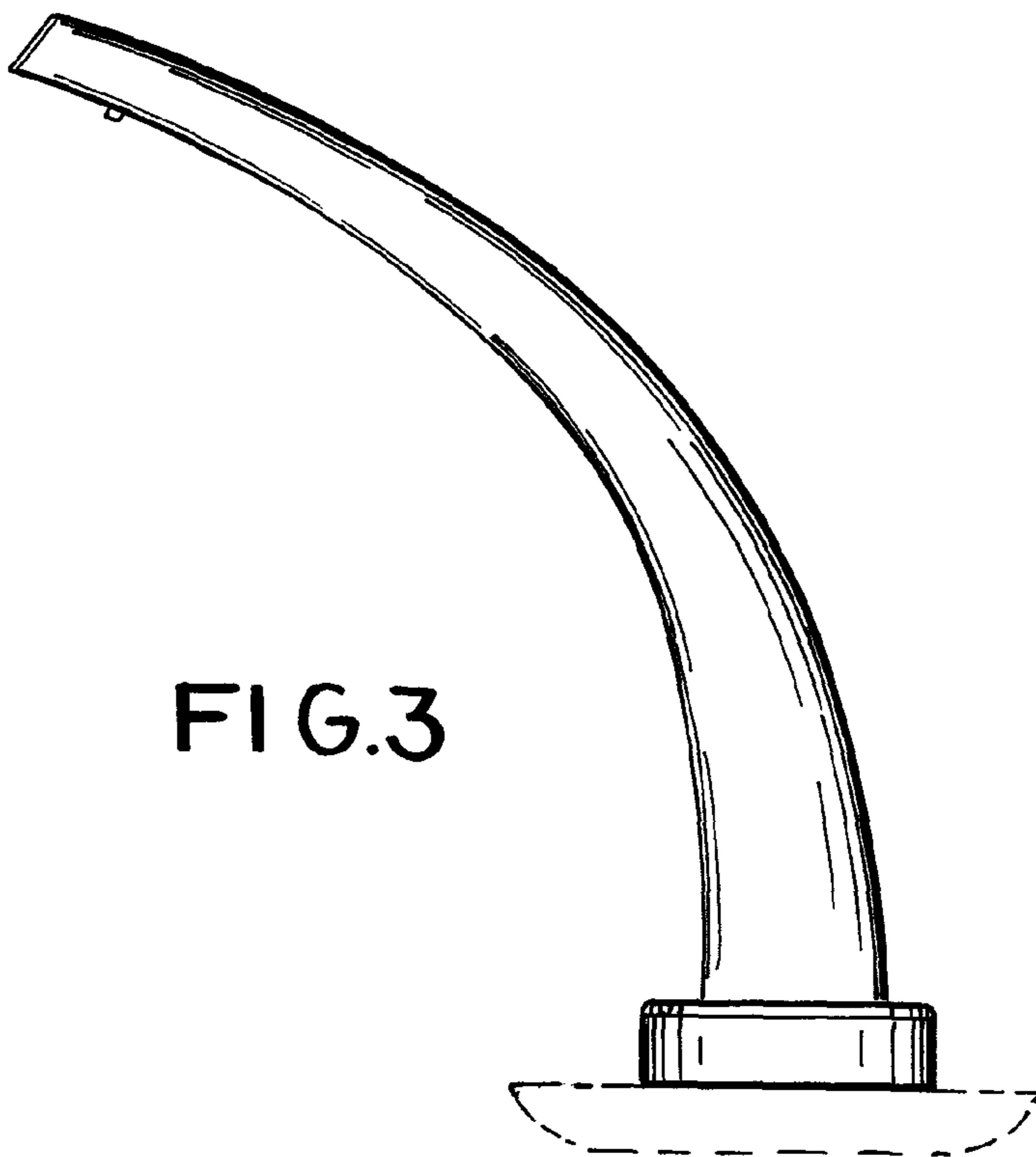


FIG. 3

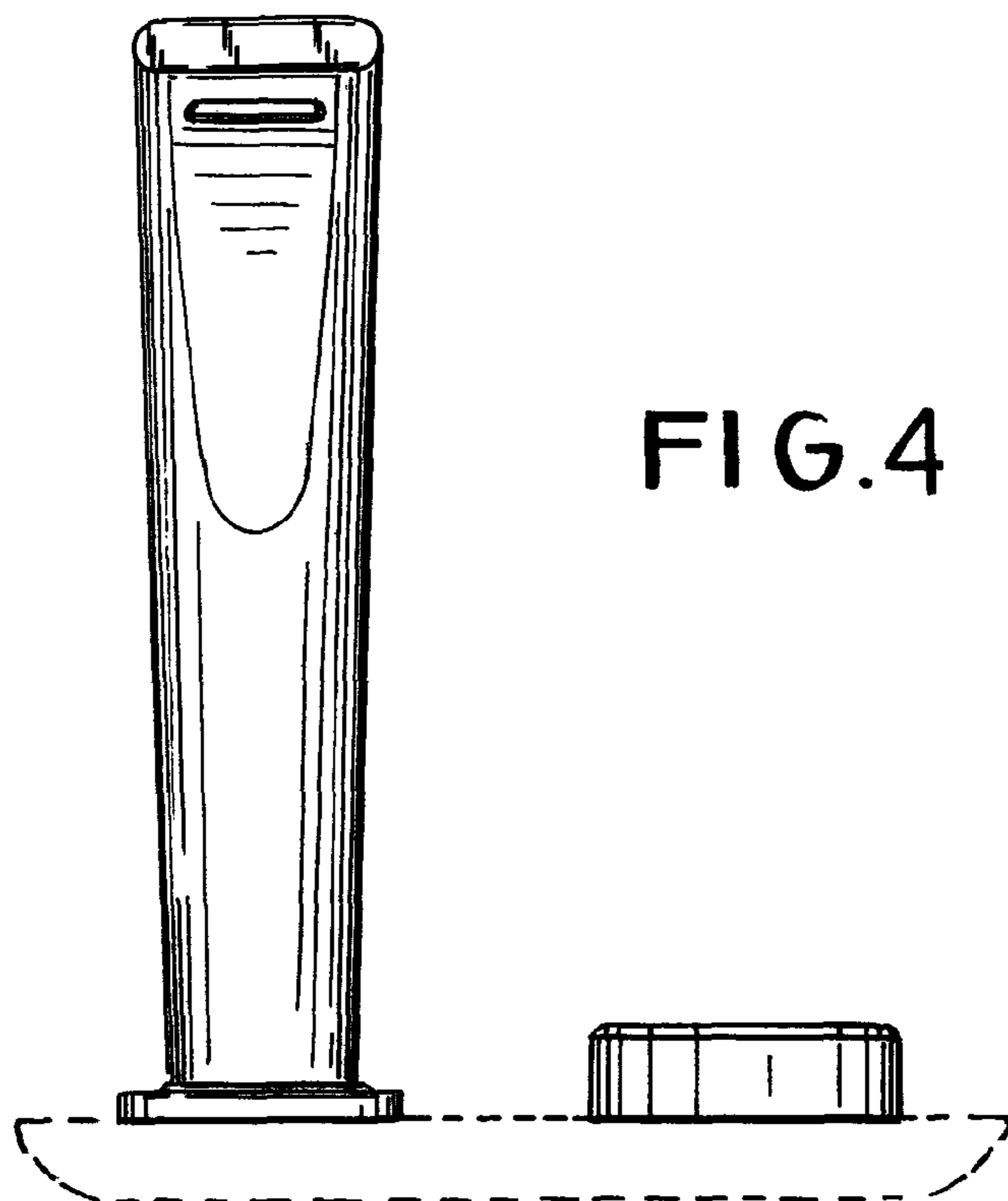
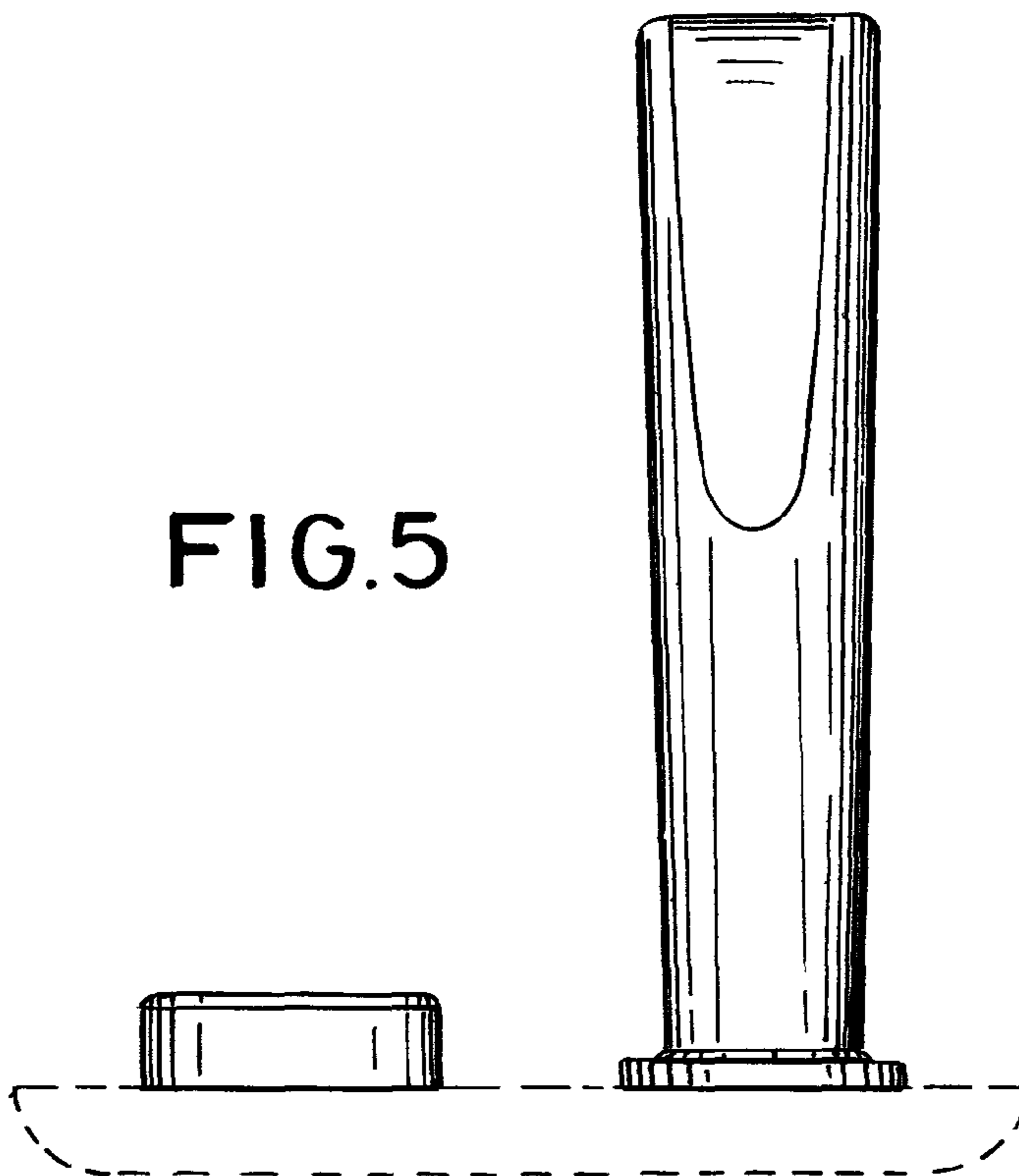


FIG. 5



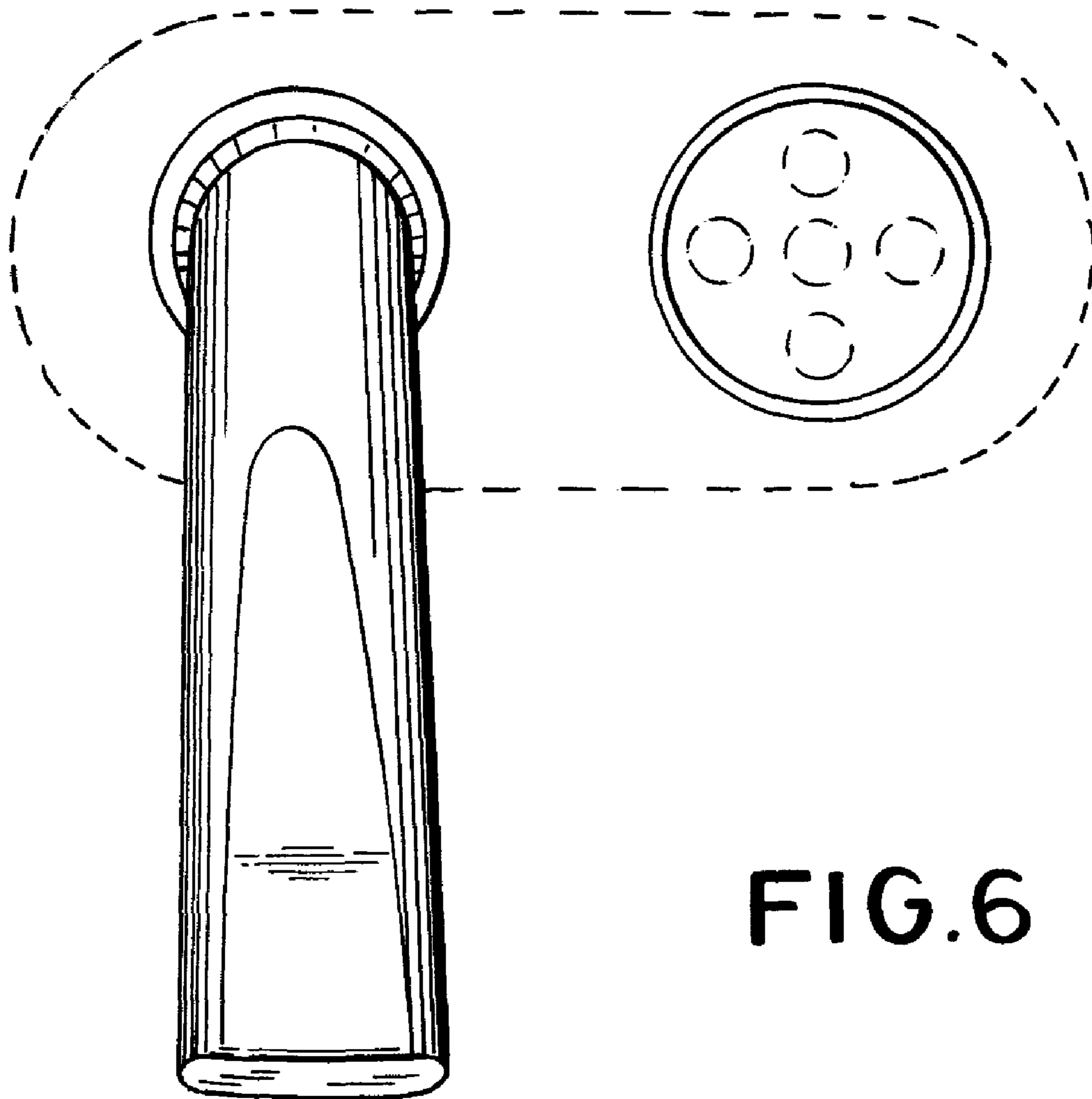


FIG. 6