



US00D582514S

(12) **United States Design Patent**
Painter

(10) **Patent No.:** **US D582,514 S**
(45) **Date of Patent:** **** Dec. 9, 2008**

(54) **FAUCET**

(75) Inventor: **Michael Painter**, Columbus, OH (US)

(73) Assignee: **Globe Union Industrial Corp.**,
Taichung (TW)

(**) Term: **14 Years**

(21) Appl. No.: **29/281,112**

(22) Filed: **Jun. 15, 2007**

(51) **LOC (8) Cl.** **23-01**

(52) **U.S. Cl.** **D23/238**

(58) **Field of Classification Search** D23/238,
D23/241-242, 243, 245, 252, 255; 4/675-678;
137/615, 801

See application file for complete search history.

(56) **References Cited**

U.S. PATENT DOCUMENTS

D432,635 S * 10/2000 Spangler D23/255
D441,426 S * 5/2001 Lim D23/238

D540,913 S * 4/2007 Haug et al. D23/238
D548,308 S * 8/2007 Hoernig D23/238
D572,797 S * 7/2008 Kubler D23/238
D572,801 S * 7/2008 Kemp D23/255

* cited by examiner

Primary Examiner—Robin V Webster

(74) *Attorney, Agent, or Firm*—Leong C. Lei

(57) **CLAIM**

The ornamental design for a faucet, as shown and described.

DESCRIPTION

FIG. 1 is a perspective view of a faucet showing my new design;

FIG. 2 is a front elevational view thereof;

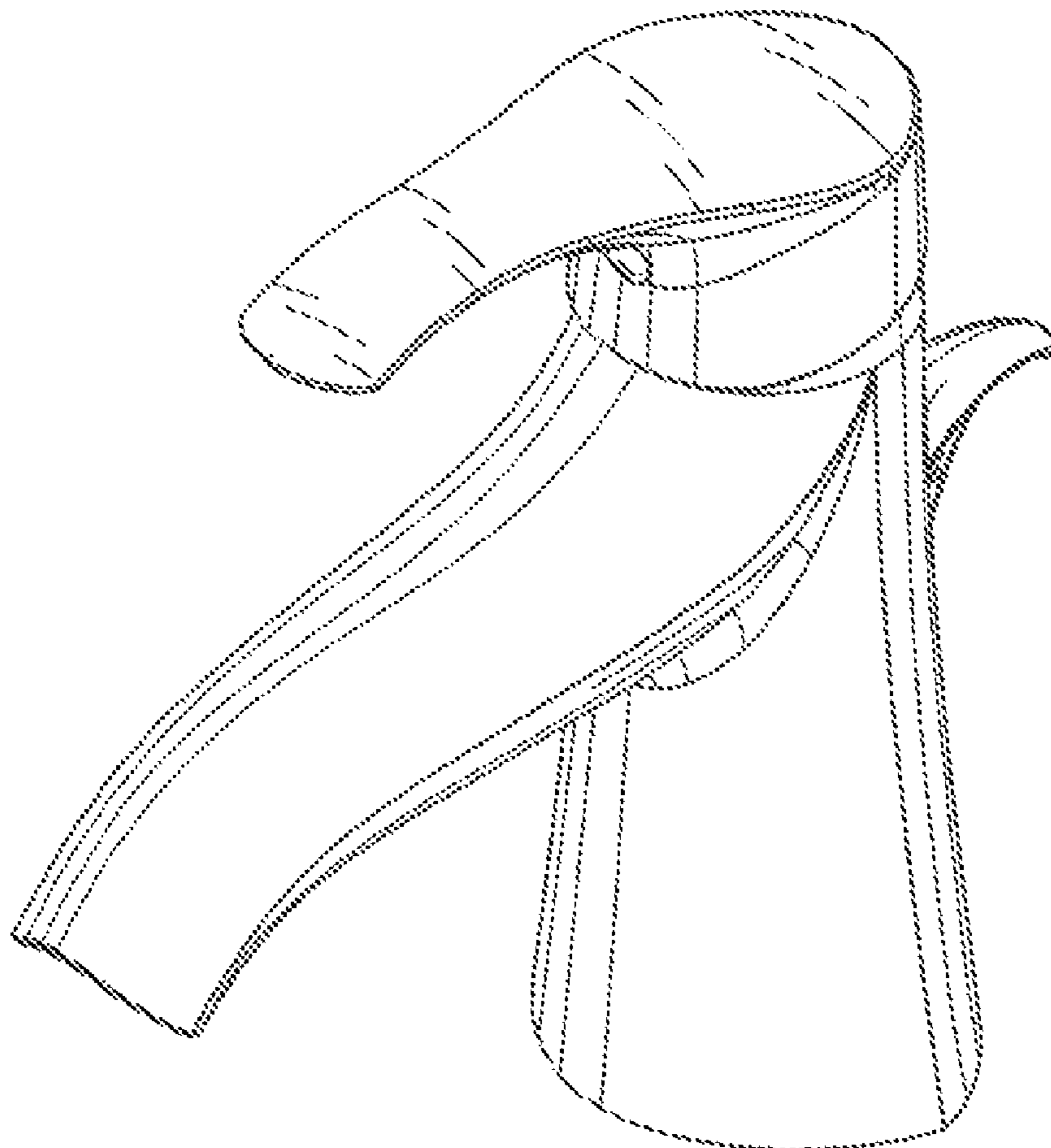
FIG. 3 is a rear elevational view thereof;

FIG. 4 is a left side elevational view thereof;

FIG. 5 is a right side elevational view thereof; and,

FIG. 6 is a top plan view thereof.

1 Claim, 6 Drawing Sheets



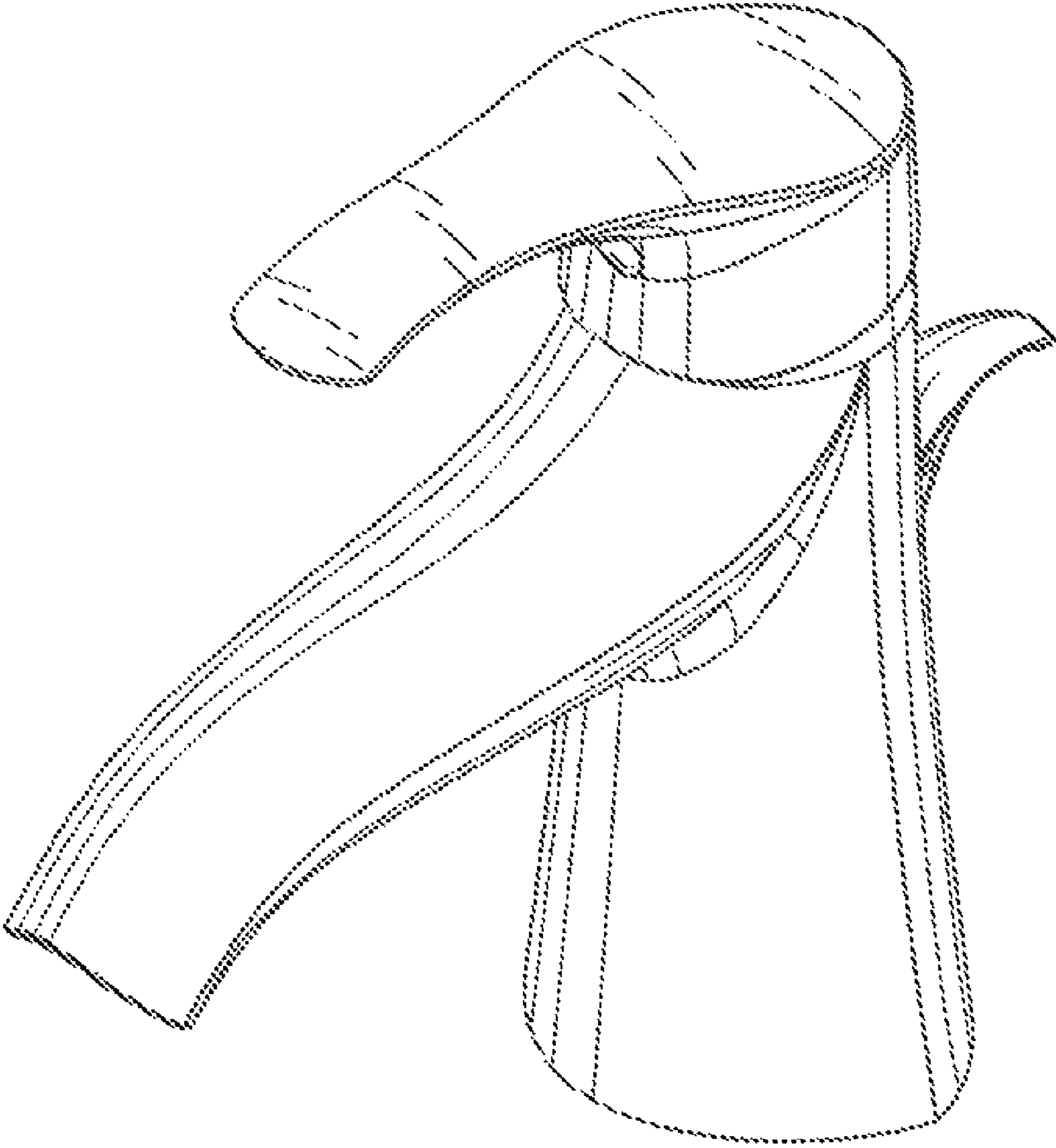


FIG. 1

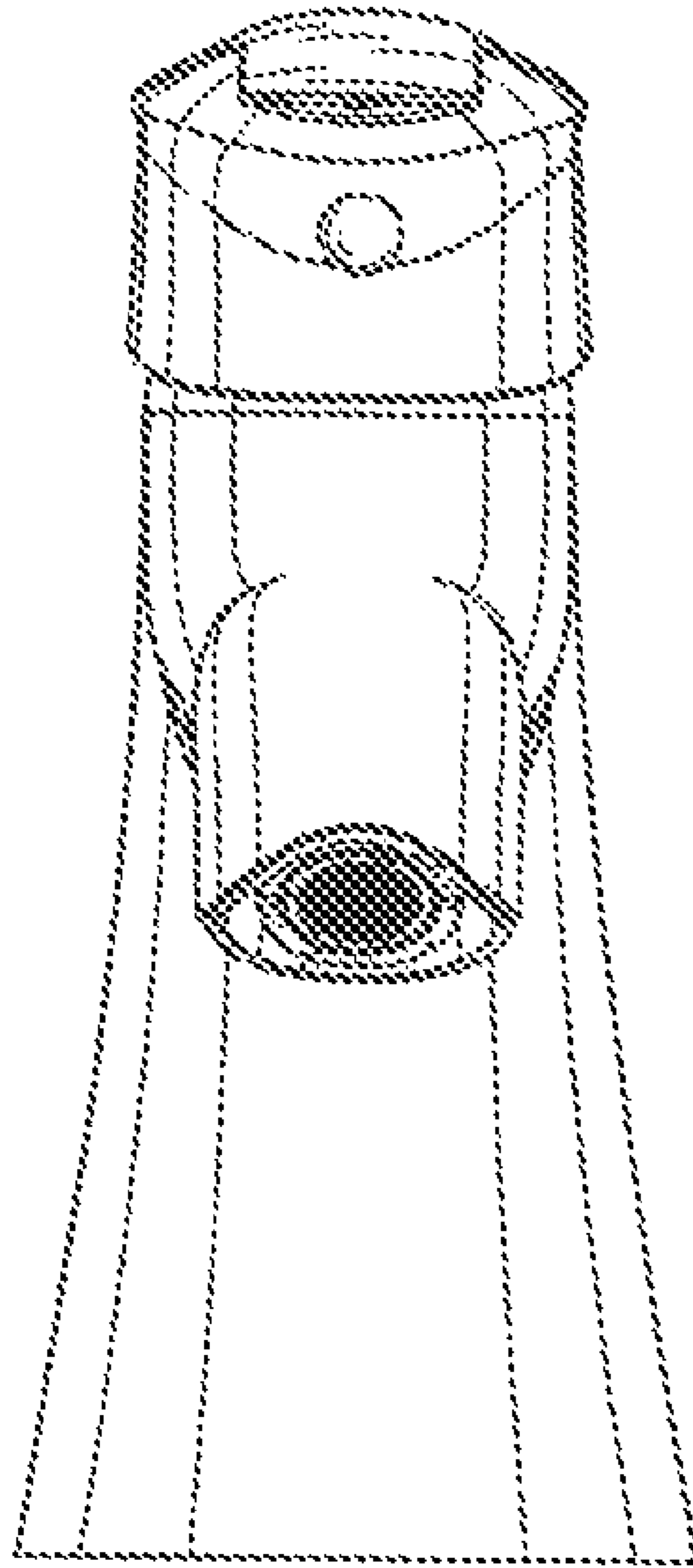


FIG. 2

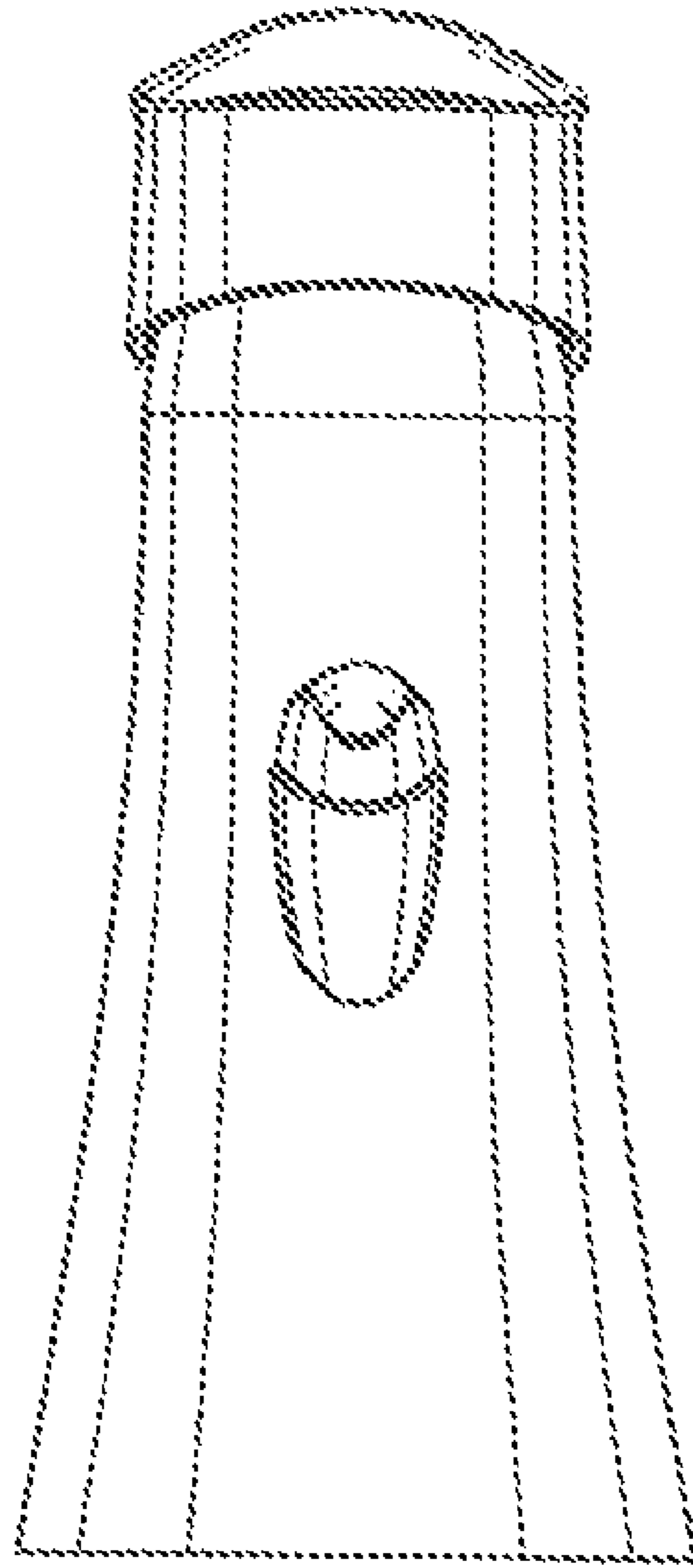


FIG. 3

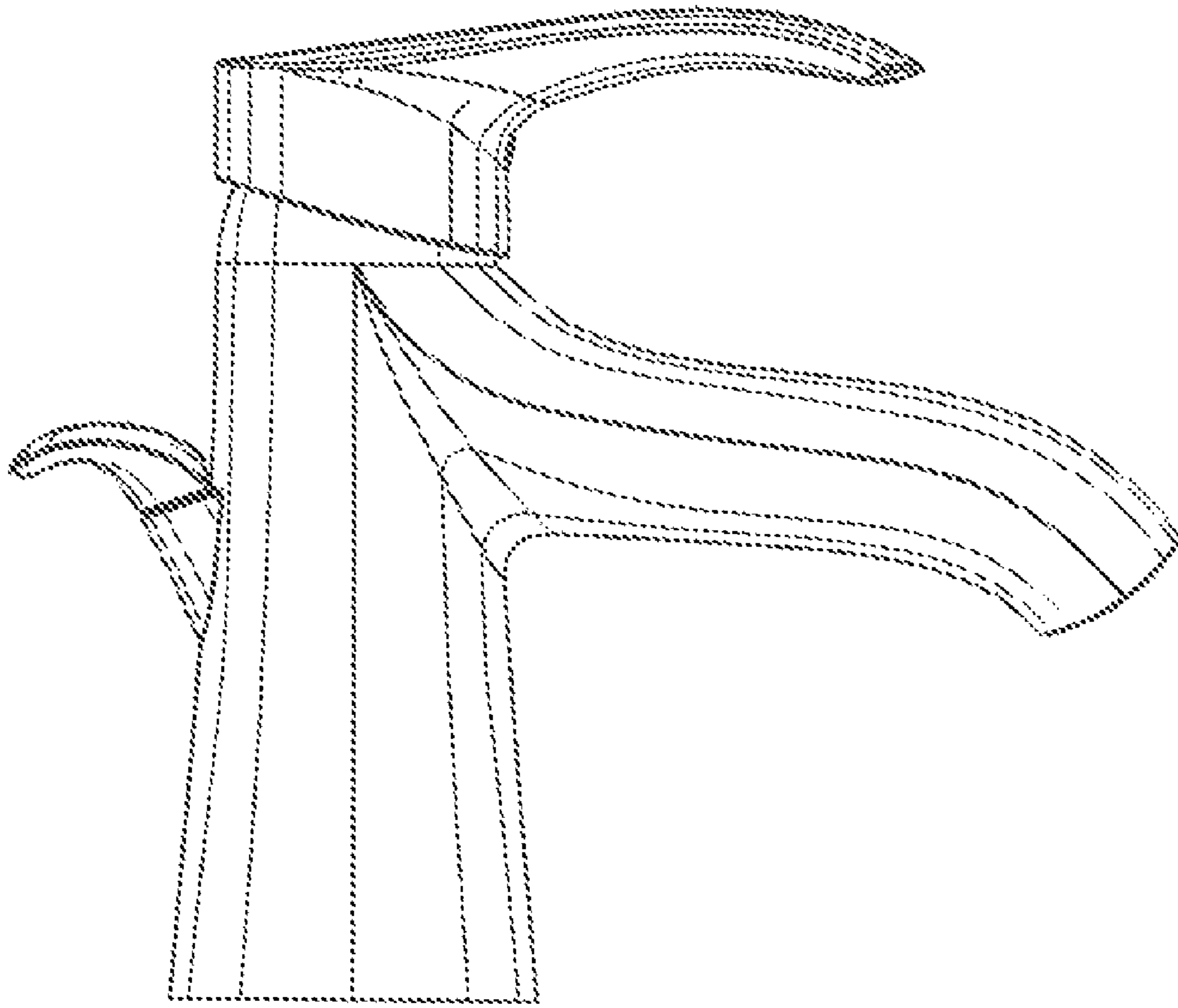


FIG. 4

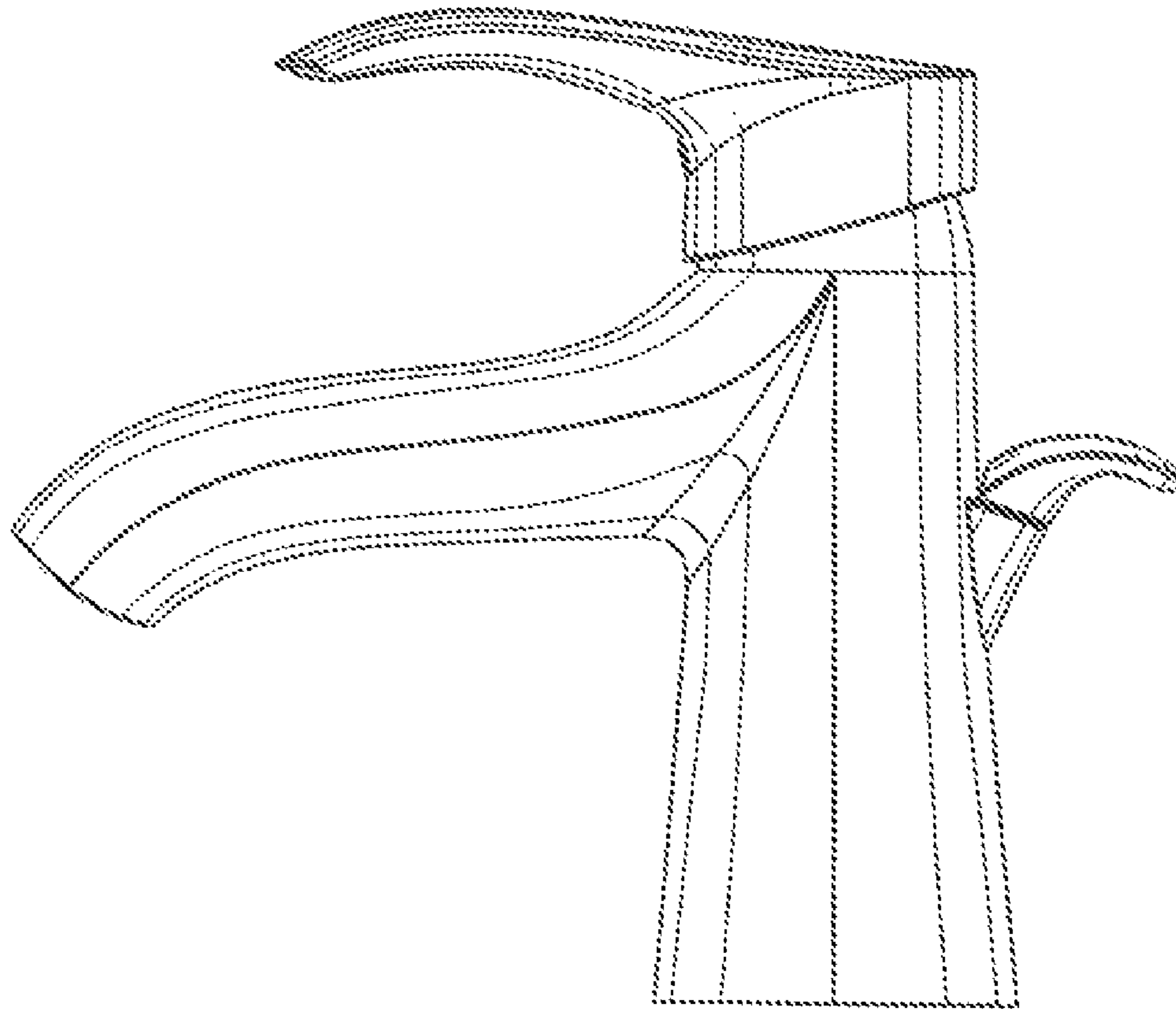


FIG. 5

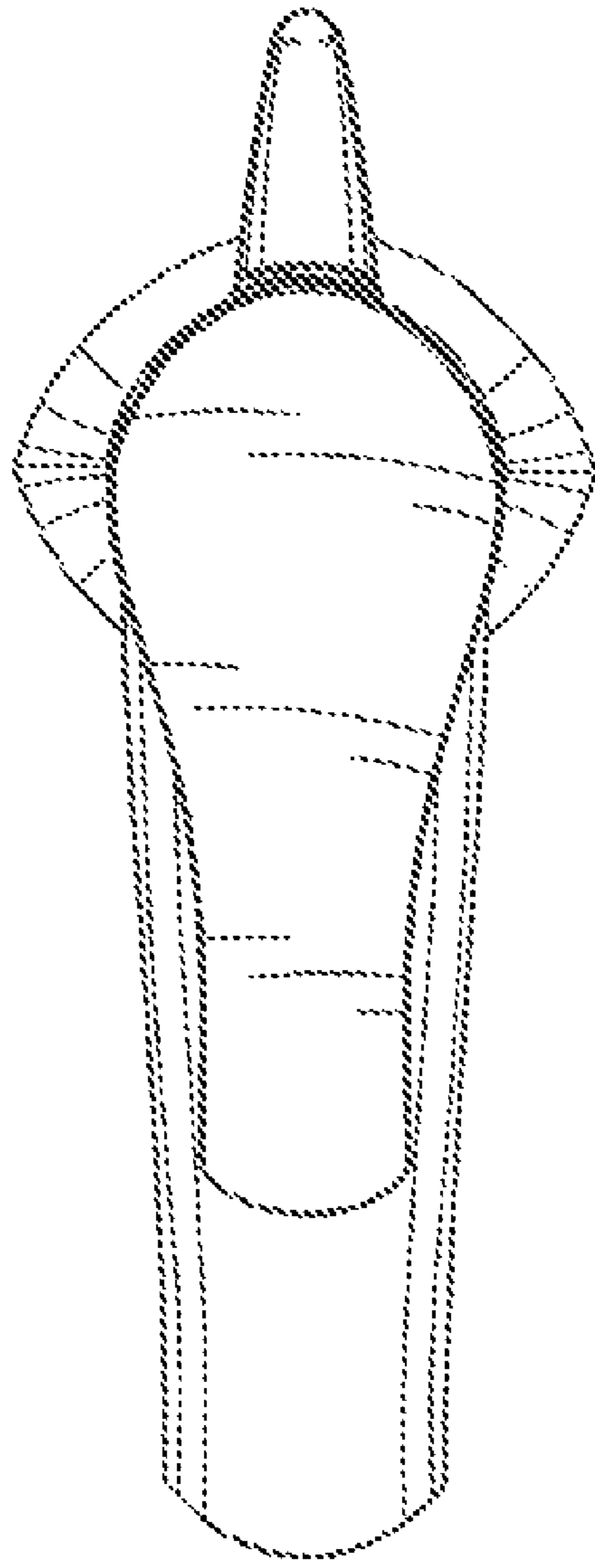


FIG. 6