



US00D582513S

(12) **United States Design Patent**
Zingoni

(10) **Patent No.:** **US D582,513 S**
(45) **Date of Patent:** **** Dec. 9, 2008**

- (54) **WASHING GUN**
- (75) Inventor: **Roberto Zingoni**, Reggio Emilia (IT)
- (73) Assignee: **Mecline S.R.L.**, Rubano (IT)
- (**) Term: **14 Years**
- (21) Appl. No.: **29/323,206**
- (22) Filed: **Aug. 20, 2008**

- D501,536 S 2/2005 Amaduzzi
- D518,556 S 4/2006 Amaduzzi
- D518,873 S 4/2006 Carpanese
- D524,404 S 7/2006 Mineau et al.

Primary Examiner—Robin V Webster
(74) *Attorney, Agent, or Firm*—Pearne & Gordon LLP

(57) **CLAIM**

The ornamental design for a washing gun, as shown and described.

Related U.S. Application Data

- (62) Division of application No. 29/295,427, filed on Sep. 28, 2007.
- (51) **LOC (8) Cl.** **23-01**
- (52) **U.S. Cl.** **D23/226**
- (58) **Field of Classification Search** D23/213,
D23/223, 226; 239/525–526
See application file for complete search history.

DESCRIPTION

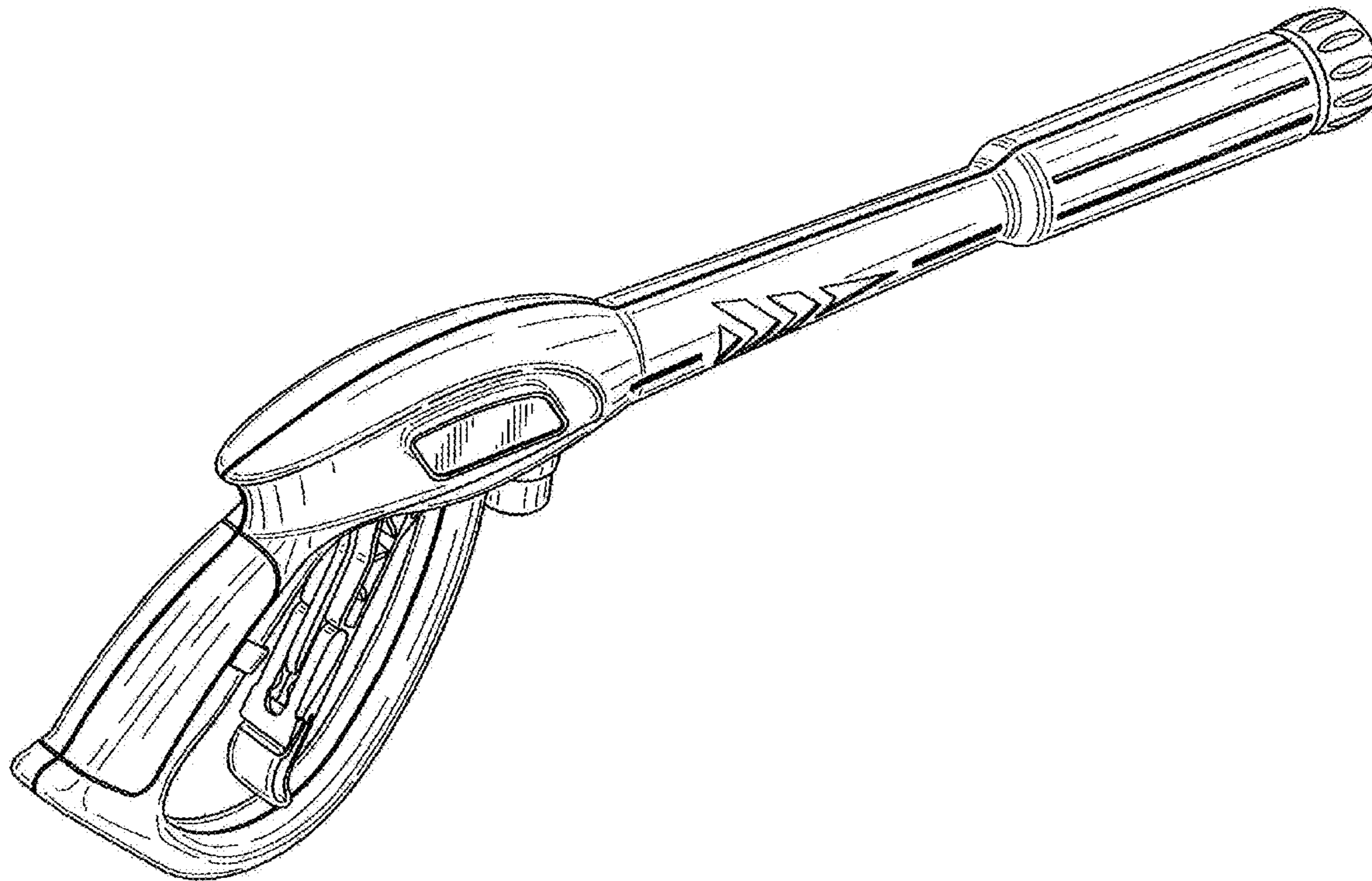
FIG. 1 is a right side perspective view of a washing gun showing my new design;
FIG. 2 is a left side perspective view thereof;
FIG. 3 is a bottom plan view thereof;
FIG. 4 is a left side elevational view thereof;
FIG. 5 is a top plan view thereof;
FIG. 6 is a right side elevational view thereof;
FIG. 7 is a back elevational view thereof; and,
FIG. 8 is a front elevational view thereof.

(56) **References Cited**

U.S. PATENT DOCUMENTS

- 5,525,046 A 6/1996 Hartmann
- D498,817 S 11/2004 Amaduzzi

1 Claim, 5 Drawing Sheets



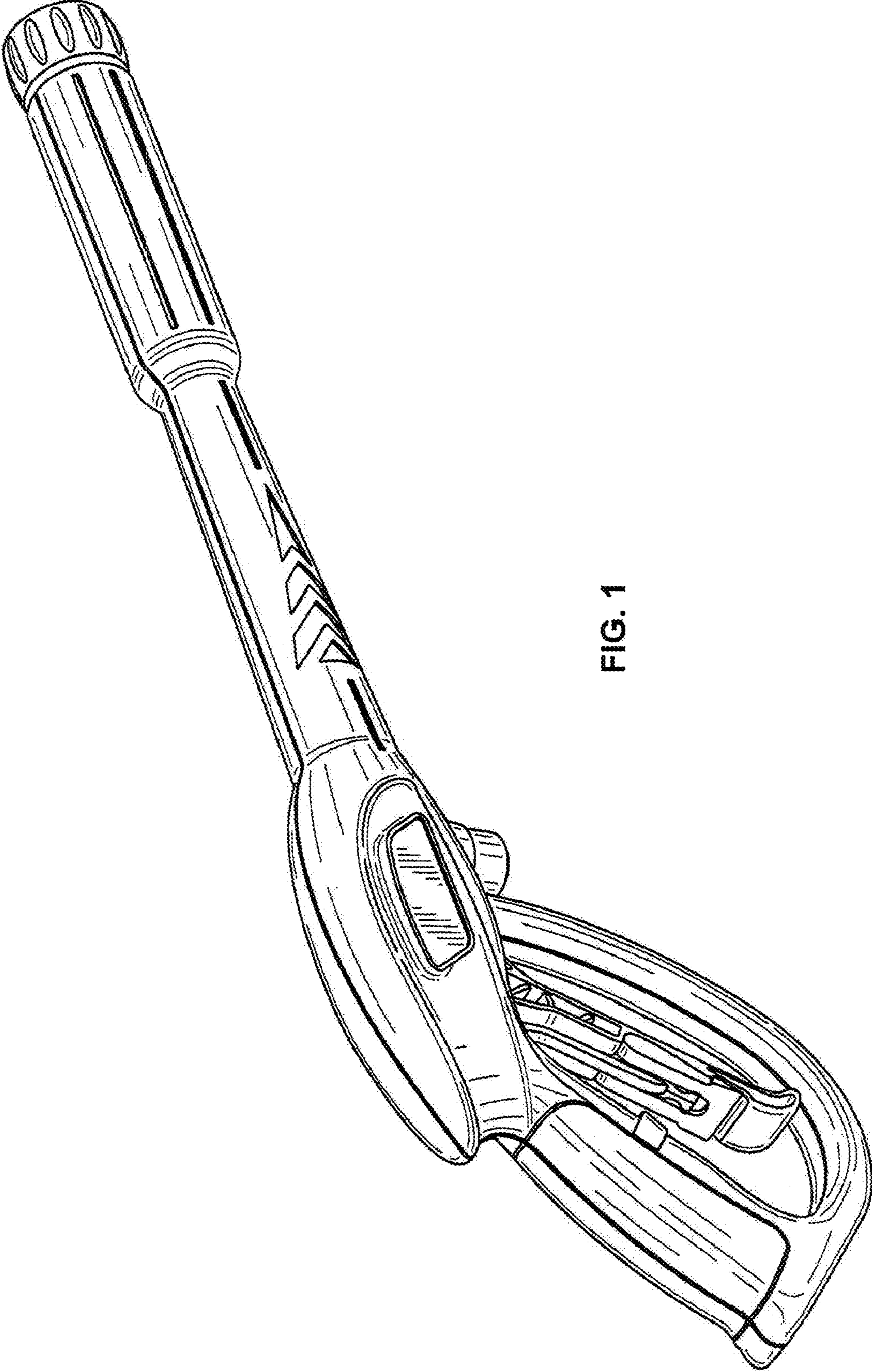


FIG. 1

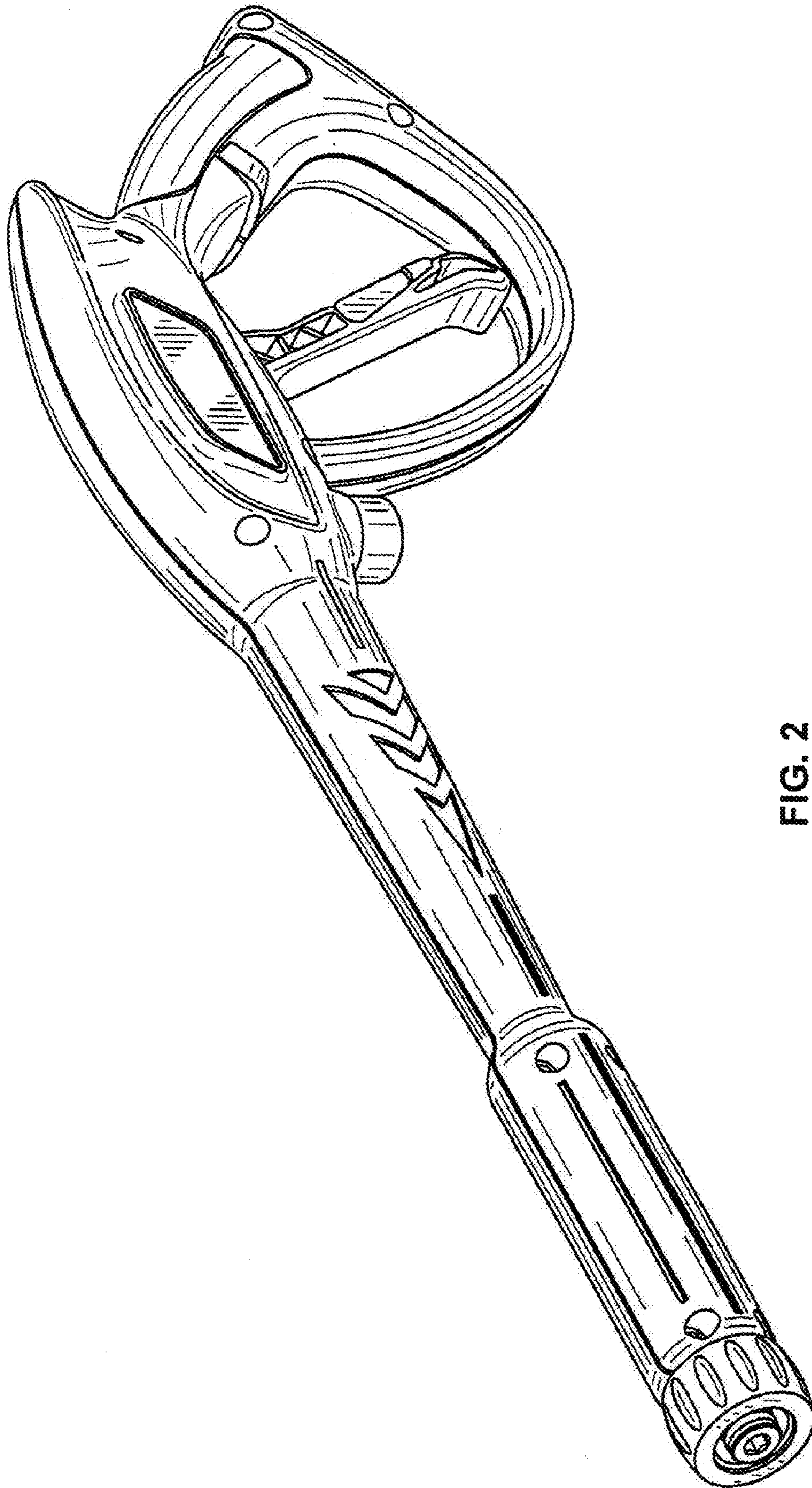


FIG. 2

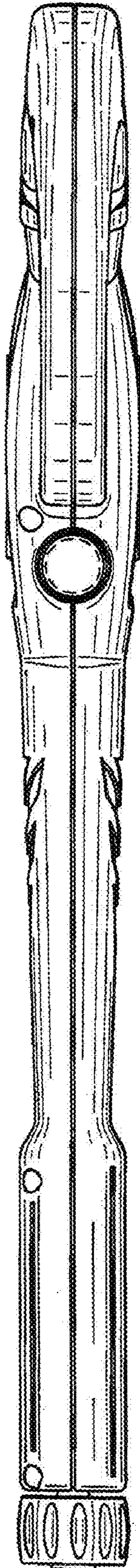


FIG. 3

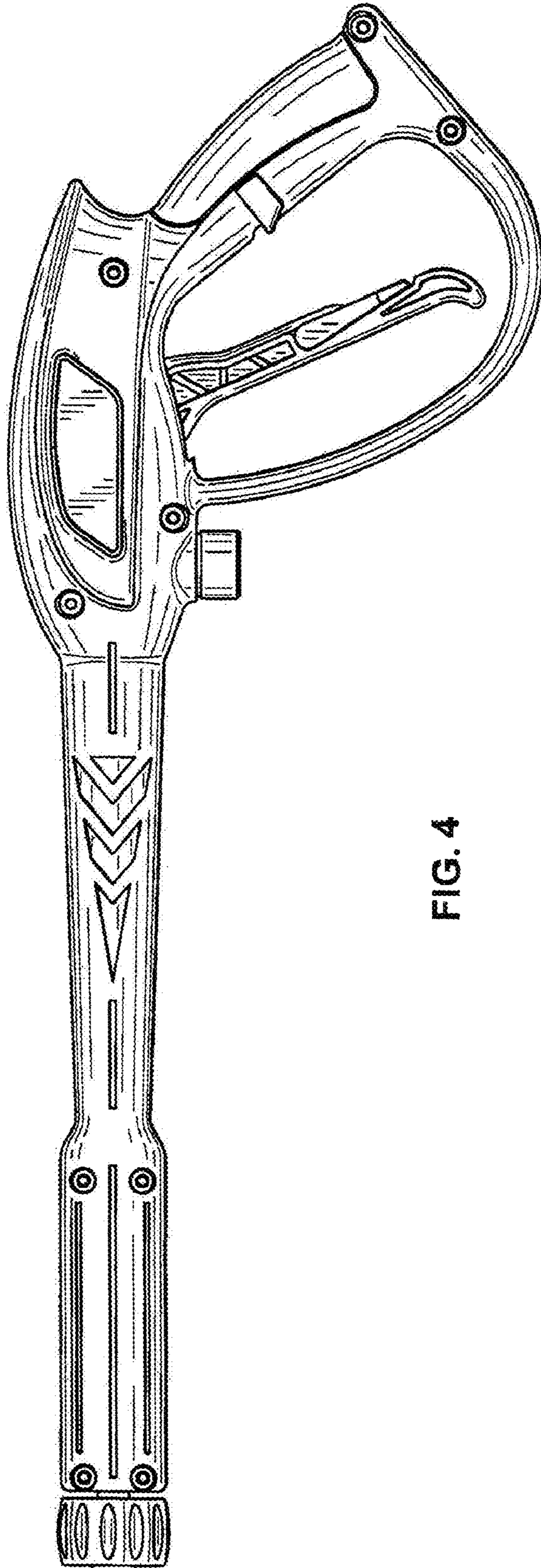


FIG. 4

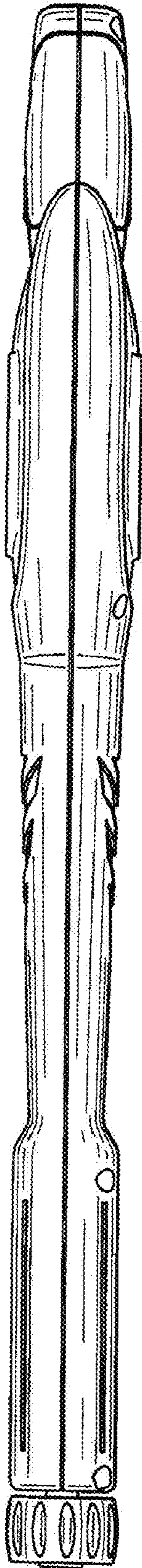


FIG. 5

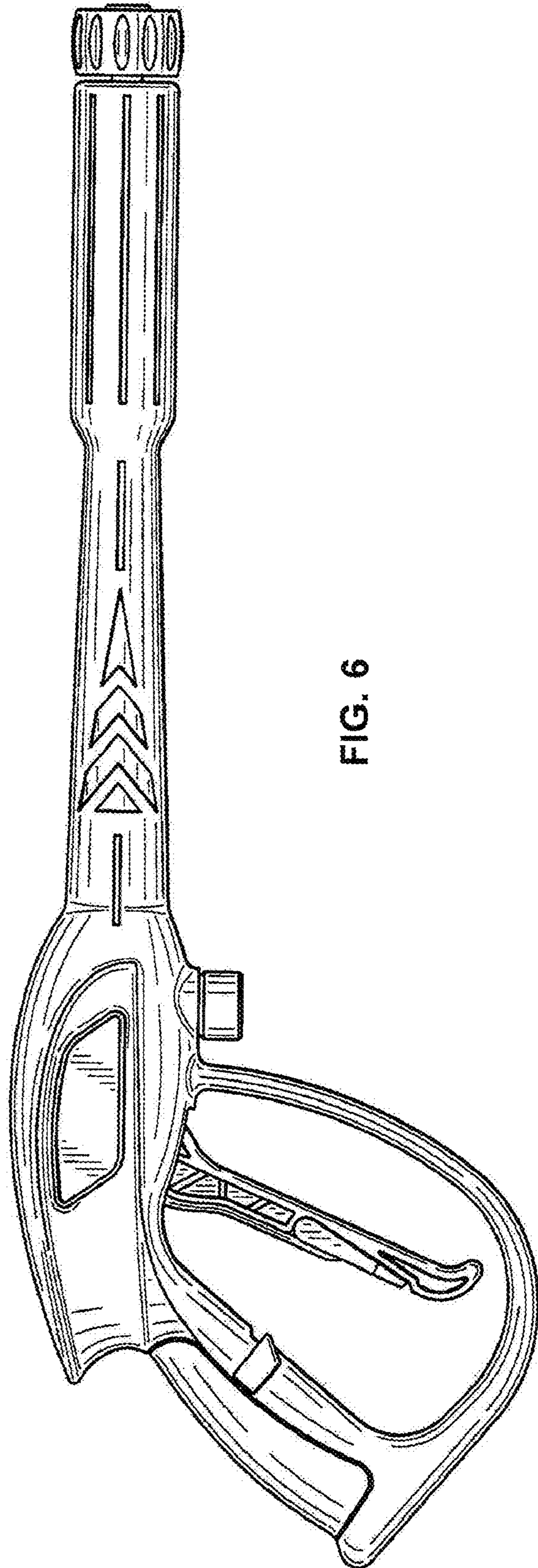


FIG. 6

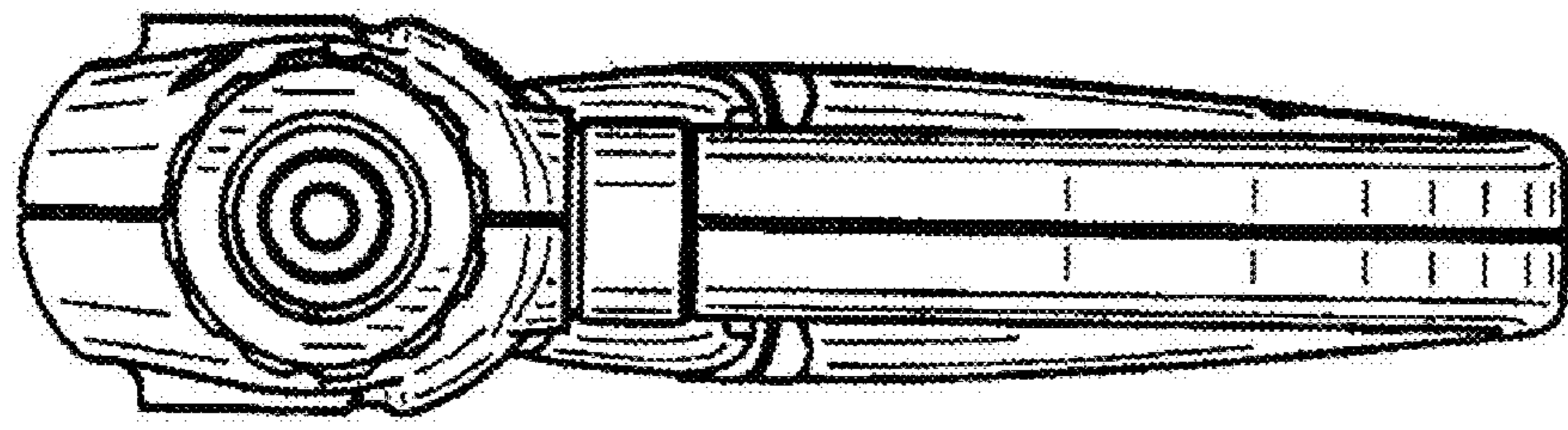


FIG. 8

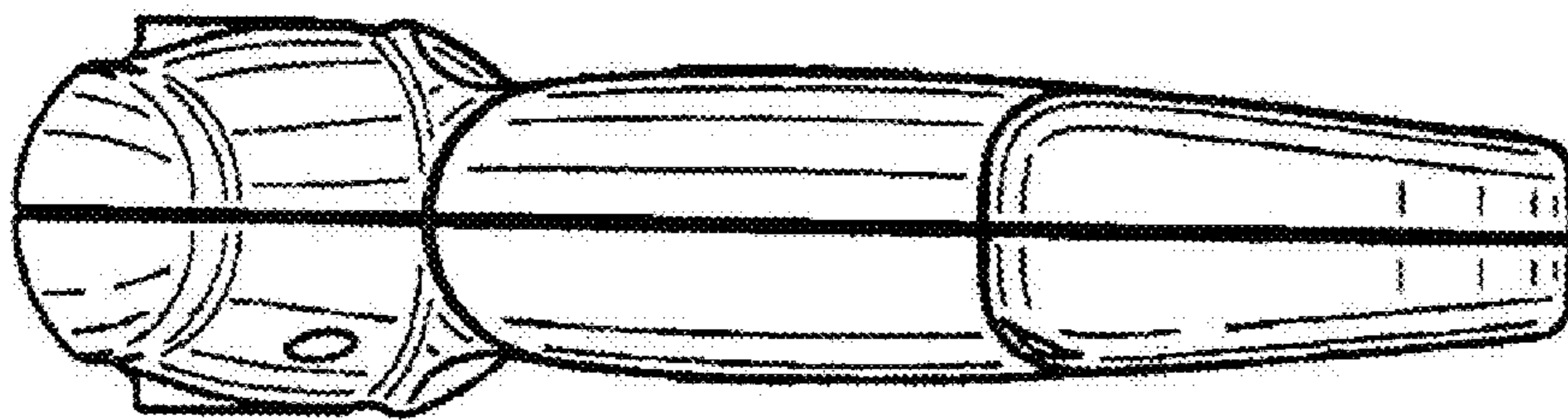


FIG. 7