



US00D582511S

(12) **United States Design Patent**
Downey et al.

(10) **Patent No.:** **US D582,511 S**
(45) **Date of Patent:** **** Dec. 9, 2008**

(54) **SAFETY AIR GUN**

D497,661 S 10/2004 Chen et al.
D505,712 S 5/2005 Huang et al.
D507,630 S 7/2005 Huang et al.

(75) Inventors: **William T. Downey**, Boston, MA (US);
Mark W. Yorns, Longmeadow, MA
(US)

(73) Assignee: **Guardair Corporation**, Chicopee, MA
(US)

Primary Examiner—Robin V Webster
(74) *Attorney, Agent, or Firm*—Scott E. Kamholz; Foley
Hoag LLP

(**) Term: **14 Years**

(57) **CLAIM**

(21) Appl. No.: **29/305,562**

The ornamental design for a safety air gun, as shown and described.

(22) Filed: **Mar. 24, 2008**

DESCRIPTION

Related U.S. Application Data

(63) Continuation of application No. 29/275,784, filed on
Jan. 5, 2007, now Pat. No. Des. 565,153.

FIG. 1 is a perspective view of a safety air gun showing the design;

(51) **LOC (8) Cl.** **23-01**

FIG. 2 is a top plan view thereof;

(52) **U.S. Cl.** **D23/223**

FIG. 3 is a bottom plan view thereof;

(58) **Field of Classification Search** D23/213,
D23/223, 226; 239/525–527, 290–291, 690–691
See application file for complete search history.

FIG. 4 is a left side elevation view thereof, the right side being
a mirror image thereof;

FIG. 5 is a front elevation view of the design; and,

FIG. 6 is a rear elevation view thereof.

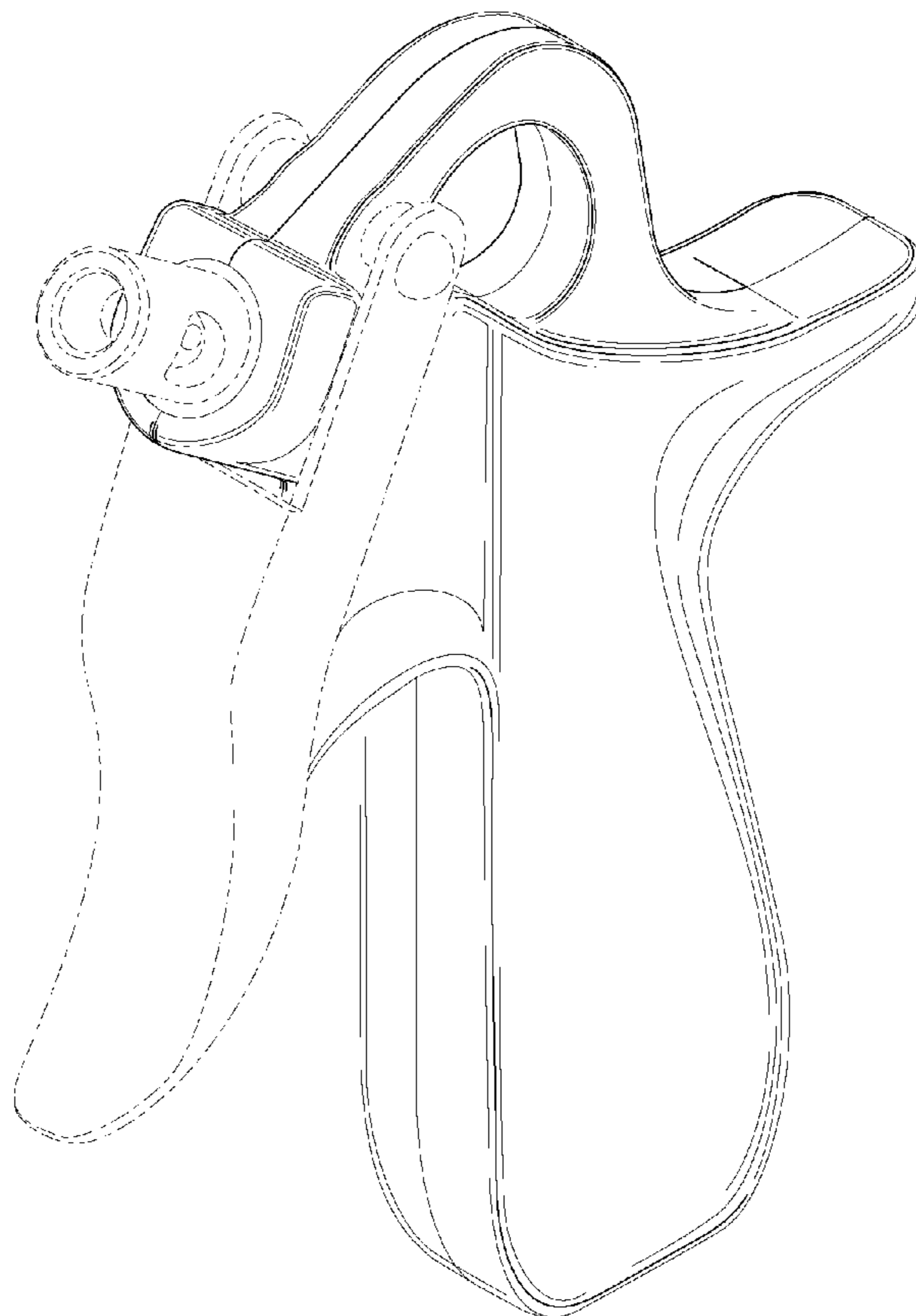
(56) **References Cited**

Broken lines shown in the drawings are for illustrative pur-
poses only and do not form part of the claimed design.

U.S. PATENT DOCUMENTS

5,322,221 A 6/1994 Anderson
6,467,705 B2 10/2002 Robidoux

1 Claim, 4 Drawing Sheets



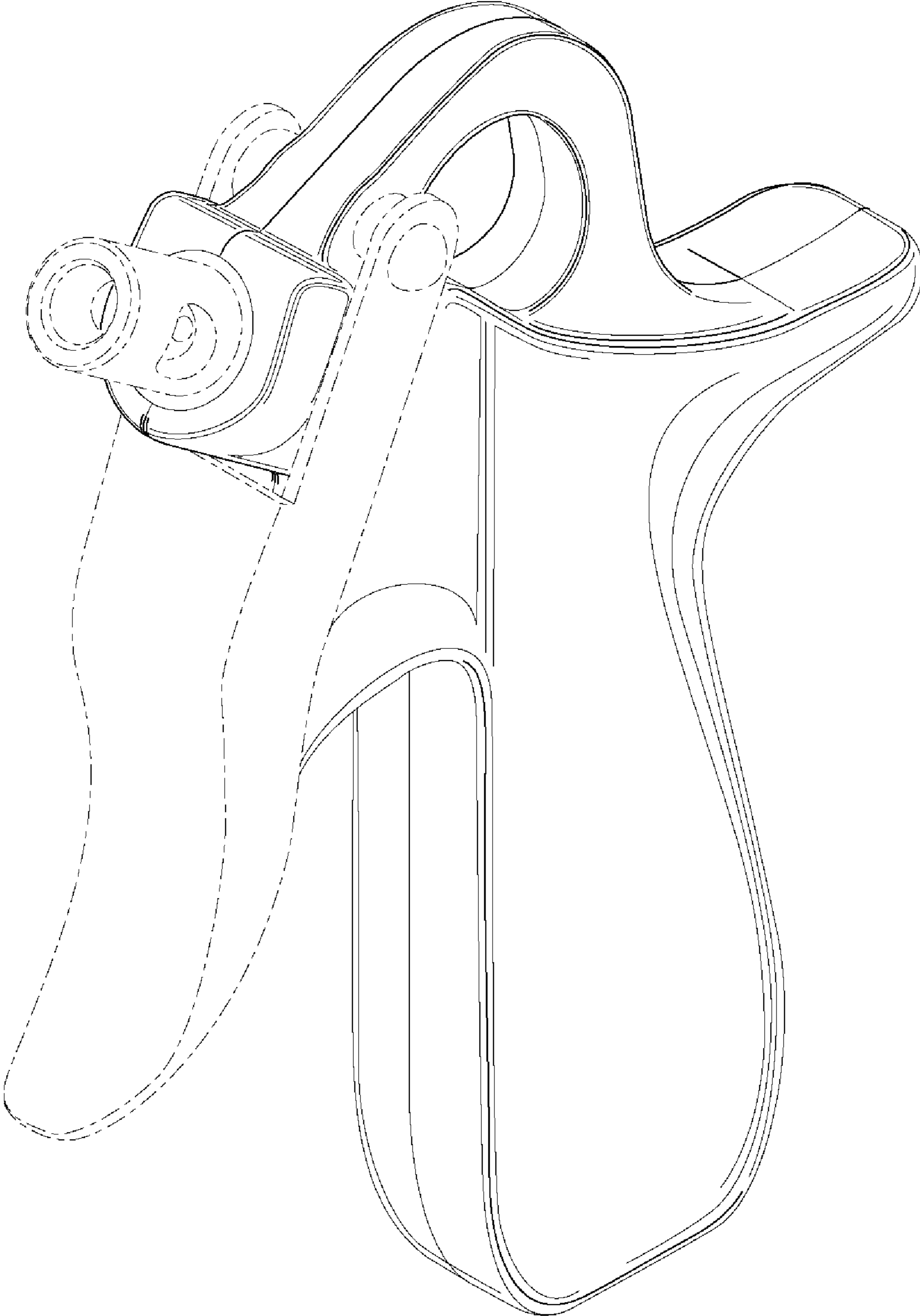


Fig. 1

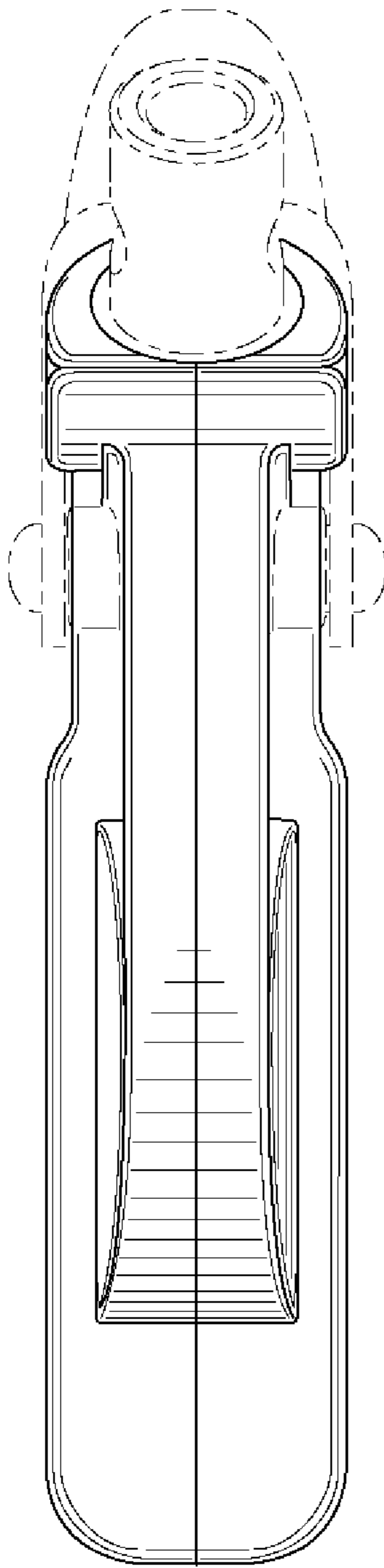


Fig. 2

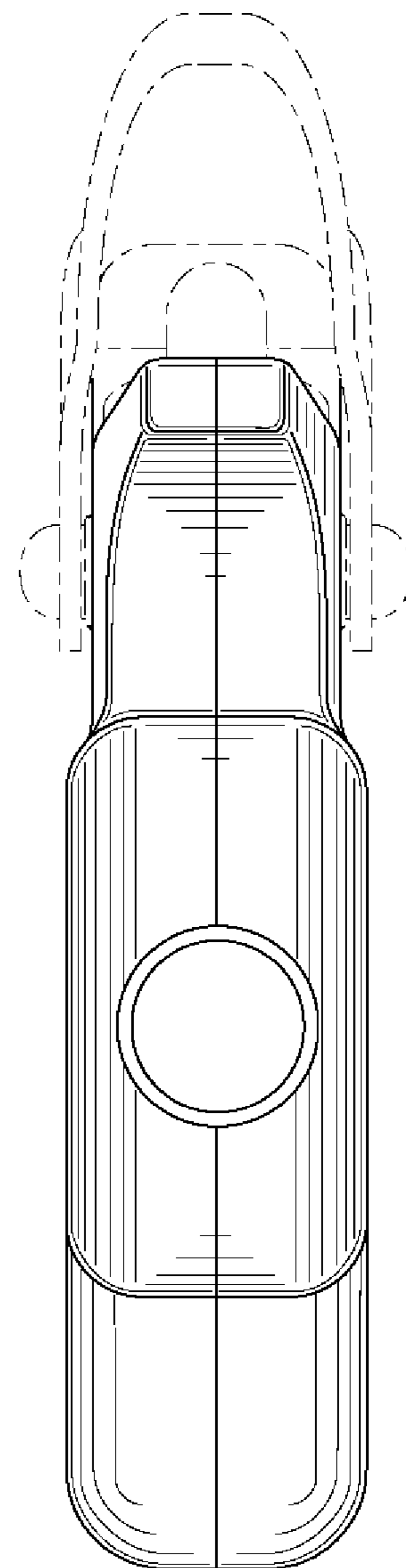


Fig. 3

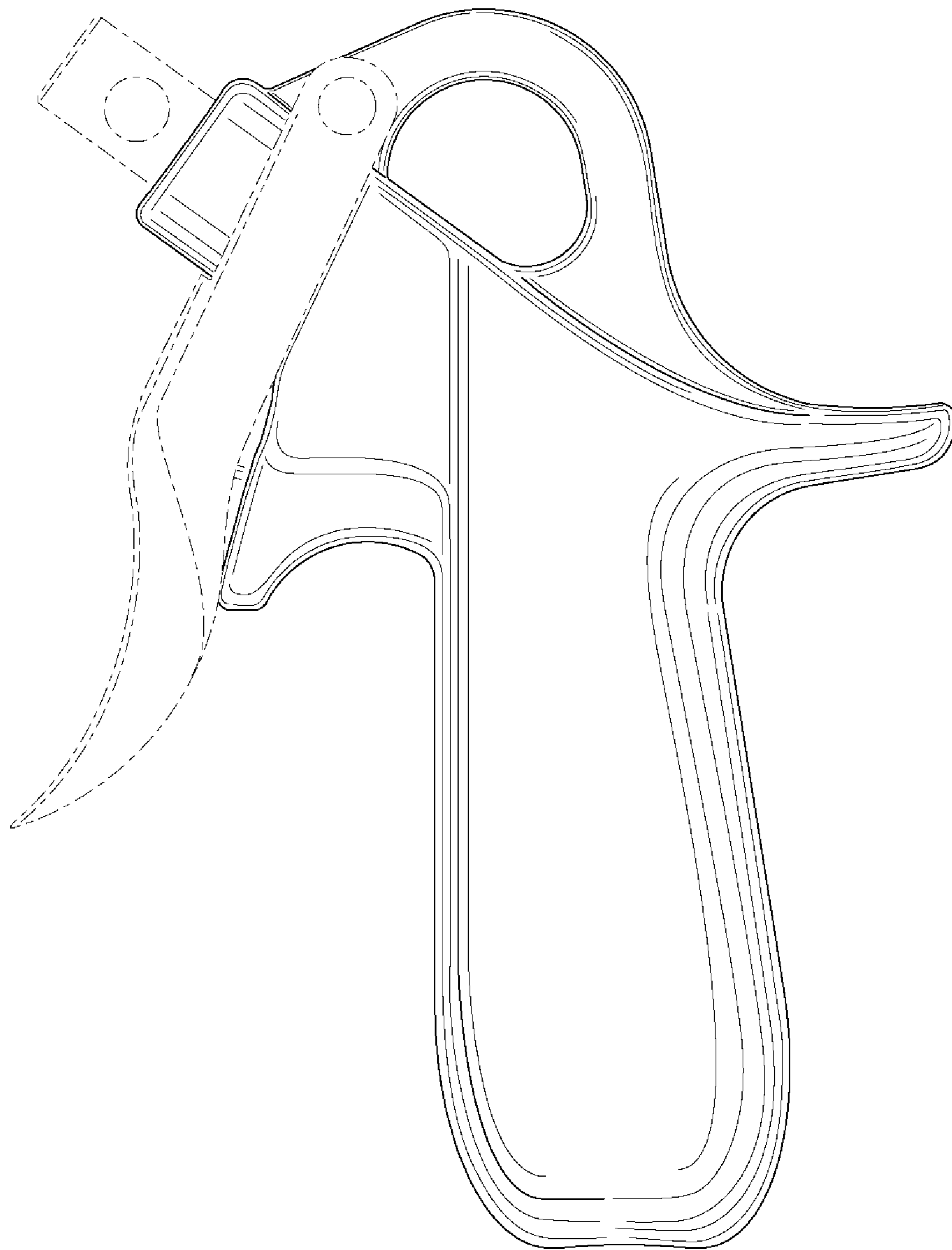


Fig. 4

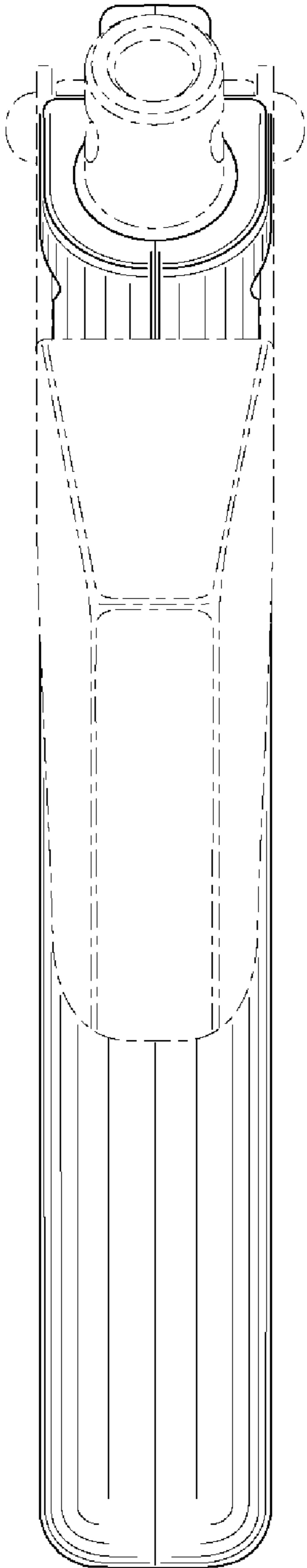


Fig. 5

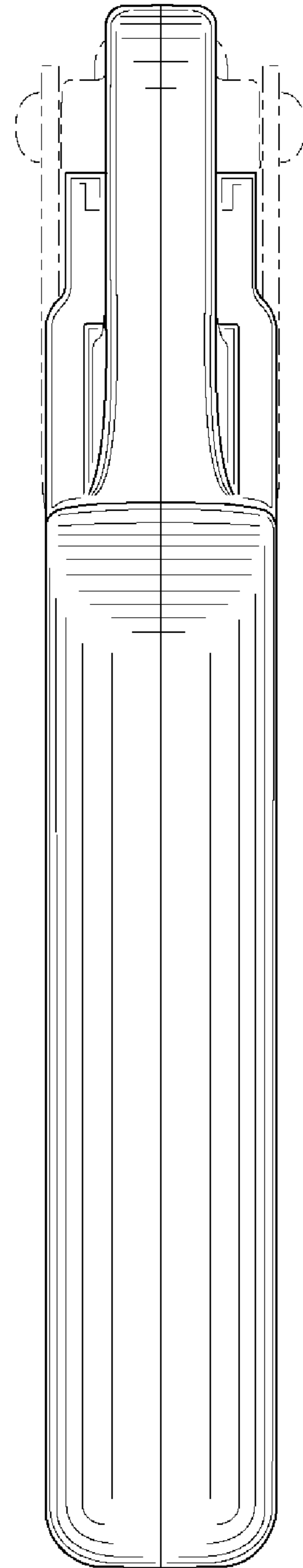


Fig. 6