



US00D582509S

(12) **United States Design Patent**  
**Konkle**

(10) **Patent No.:** **US D582,509 S**

(45) **Date of Patent:** **\*\* Dec. 9, 2008**

(54) **FOUNTAIN**

(75) Inventor: **Steve Konkle**, Kirkland, WA (US)

(73) Assignee: **Anderson Daymon Worldwide, LLC**,  
Issaquah, WA (US)

(\*\*) Term: **14 Years**

(21) Appl. No.: **29/289,711**

(22) Filed: **Jul. 27, 2007**

(51) **LOC (8) Cl.** ..... **23-01**

(52) **U.S. Cl.** ..... **D23/201**

(58) **Field of Classification Search** ..... D23/201;  
239/17-20; 40/406-407

See application file for complete search history.

(56) **References Cited**

**U.S. PATENT DOCUMENTS**

3,211,378	A	*	10/1965	Zysk	.....	239/20
D470,215	S	*	2/2003	Lussier	.....	D23/201
D483,437	S	*	12/2003	Lussier	.....	D23/201
D540,422	S	*	4/2007	Rusic	.....	D23/201
D544,567	S	*	6/2007	Rusic	.....	D23/201

\* cited by examiner

*Primary Examiner*—Robin V Webster

(74) *Attorney, Agent, or Firm*—Seed Intellectual Property  
Law Group PLLC

(57) **CLAIM**

The ornamental design for a fountain, as shown and described.

**DESCRIPTION**

FIG. 1 is a front, top perspective view of my new design, the broken lines showing falling water located behind a viewing window, candles in candle holders located behind the falling water, and other ornamental, decorative features are for illustrative purposes only and do not form a part of the claimed design;

FIG. 2 is a front, top perspective view of my new design;

FIG. 3 is a top plan view of the design of FIG. 2;

FIG. 4 is a bottom plan view of the design of FIG. 2;

FIG. 5 is front elevation view of the design of FIG. 2;

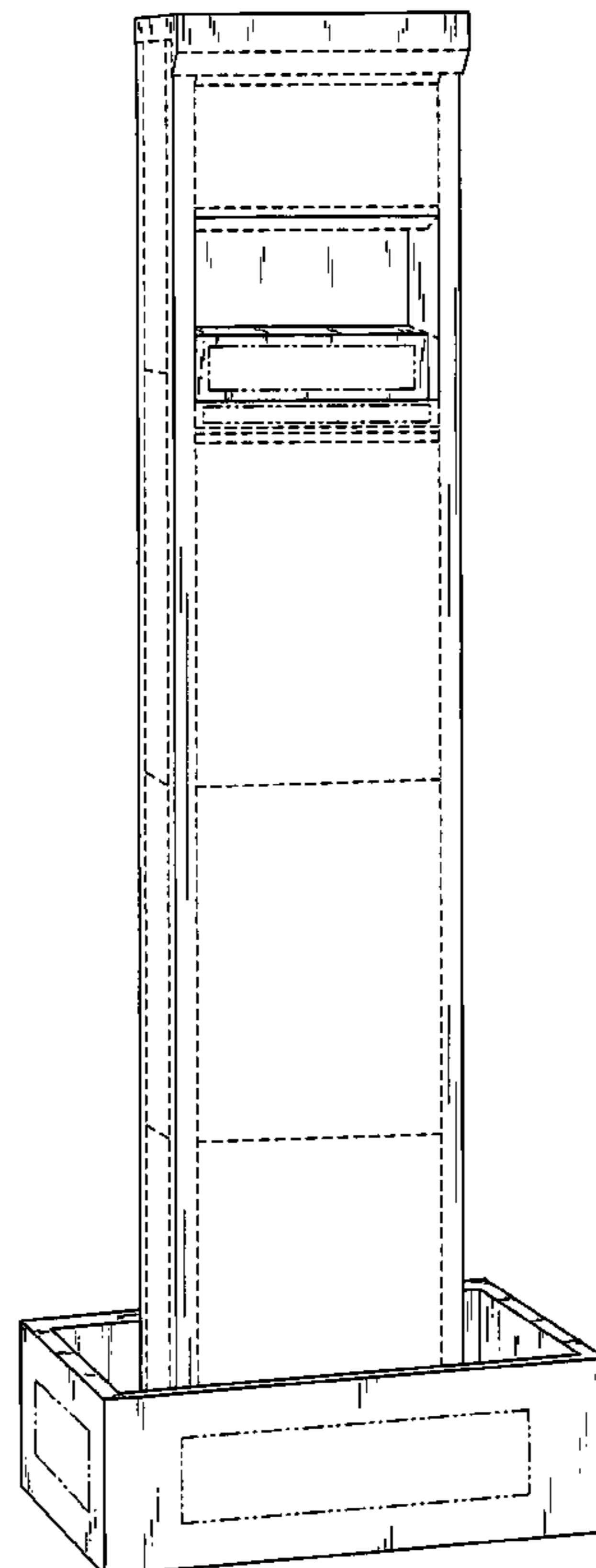
FIG. 6 is a rear elevation view of the design of FIG. 2;

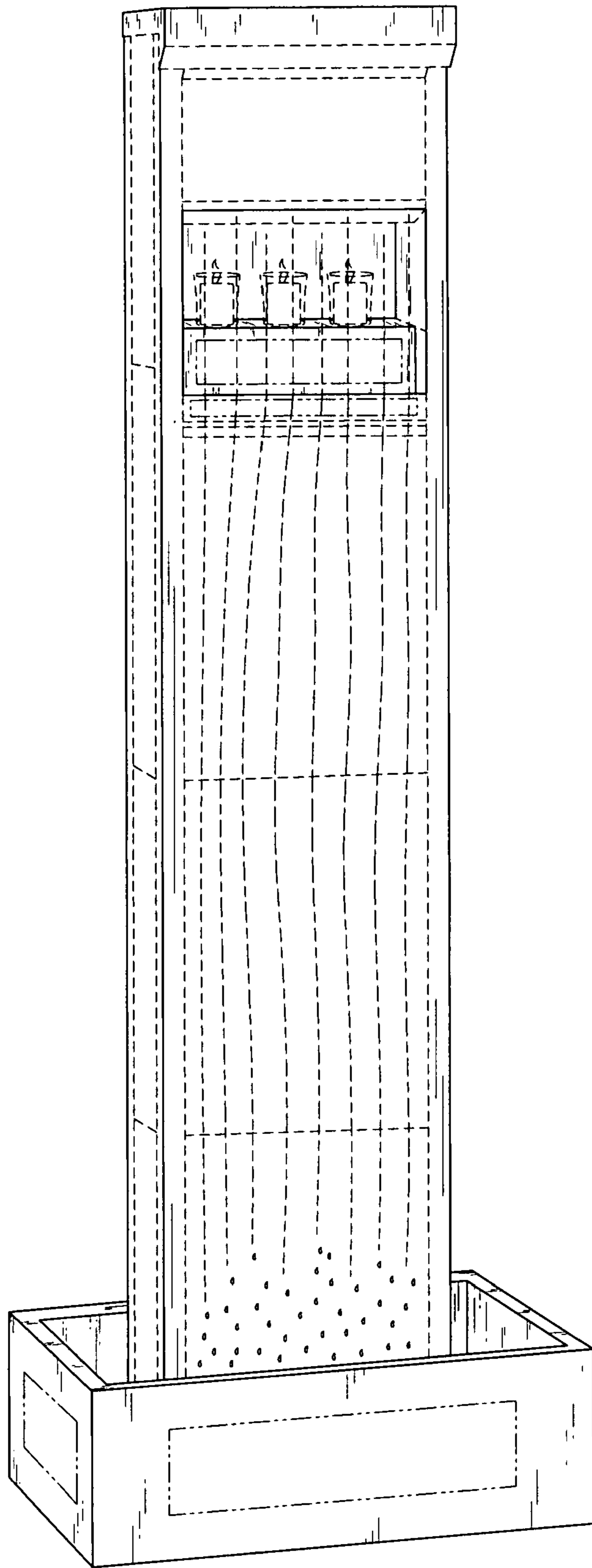
FIG. 7 is a right side elevation view of the design of FIG. 2; and,

FIG. 8 is a left side elevation view of the design of FIG. 2.

The broken lines in the figures are for illustrative purposes only and form no part of the claimed design. The rectangles in broken lines having long and short dashes illustrate locations of ornamental, decorative features that form no part of the claimed design.

**1 Claim, 7 Drawing Sheets**





*FIG. 1*

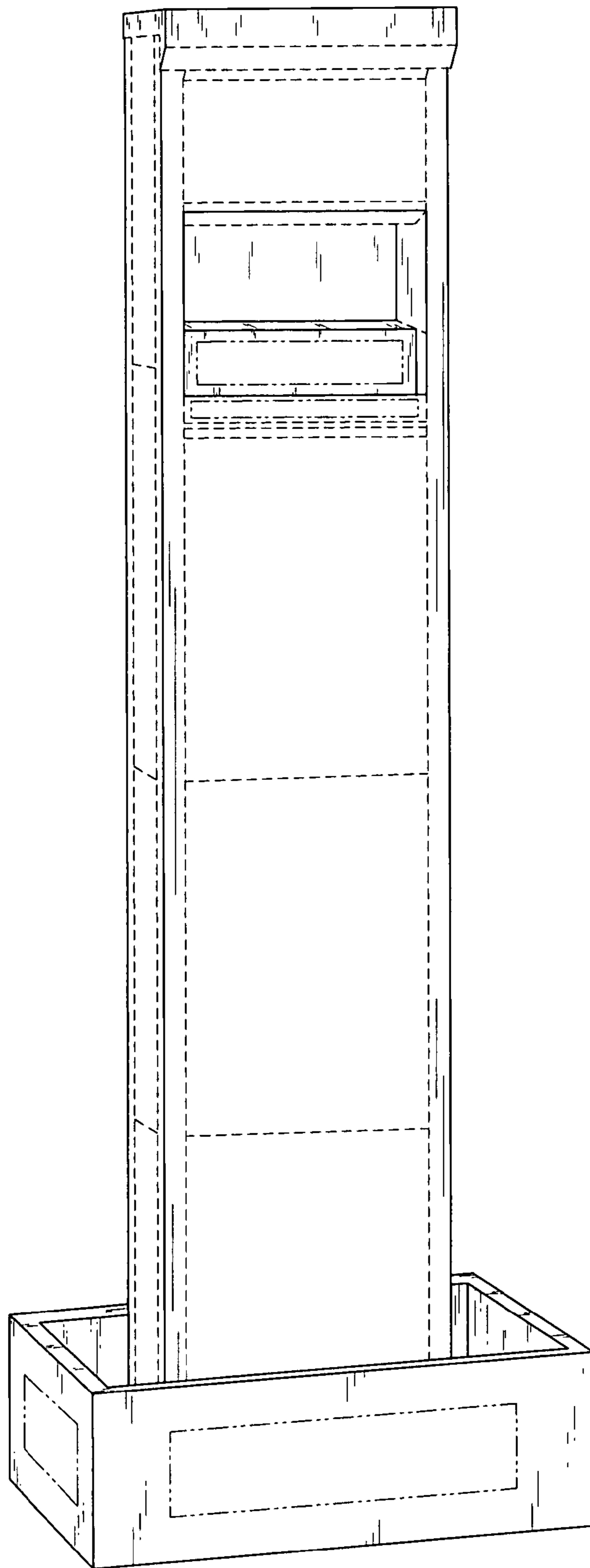
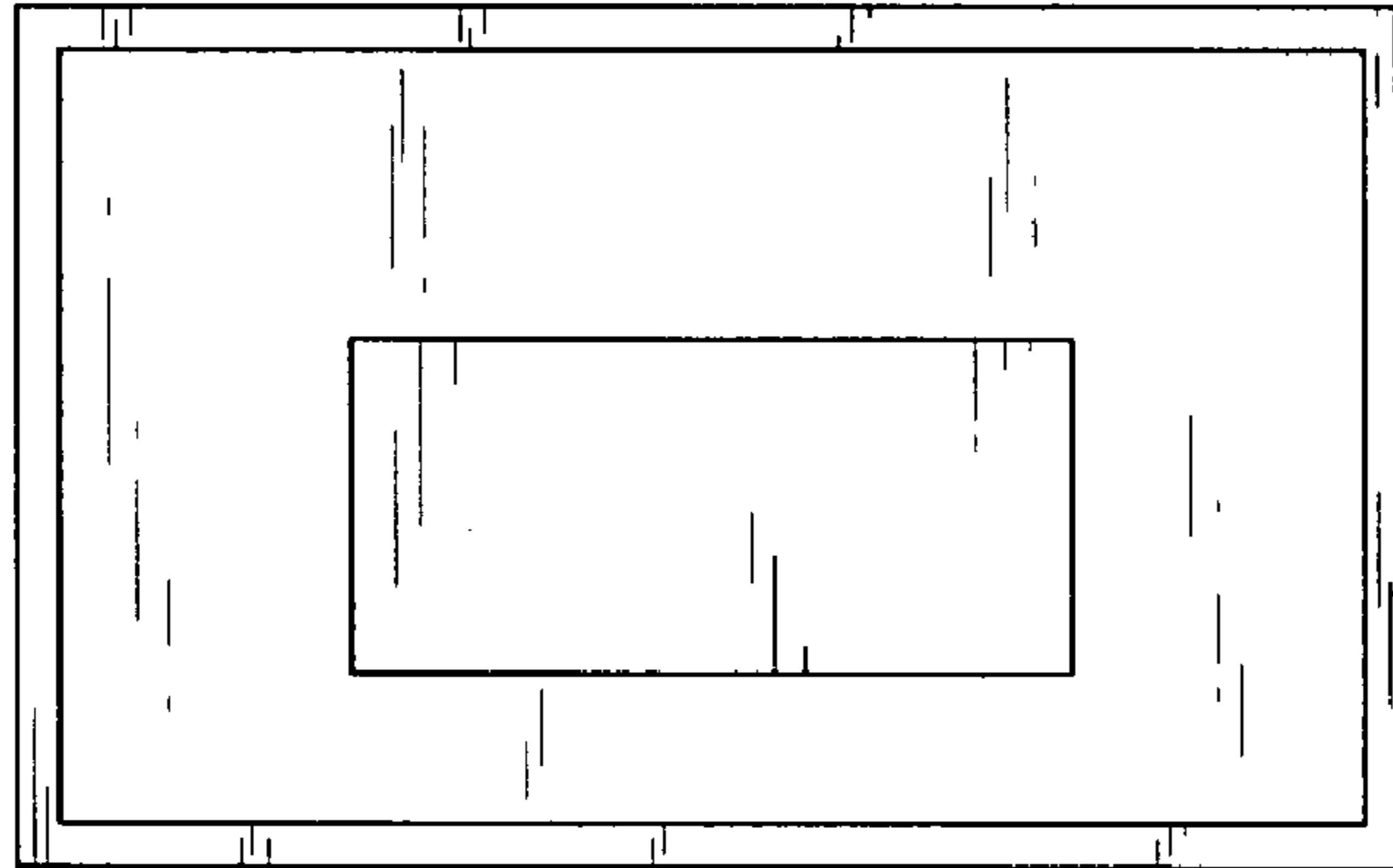
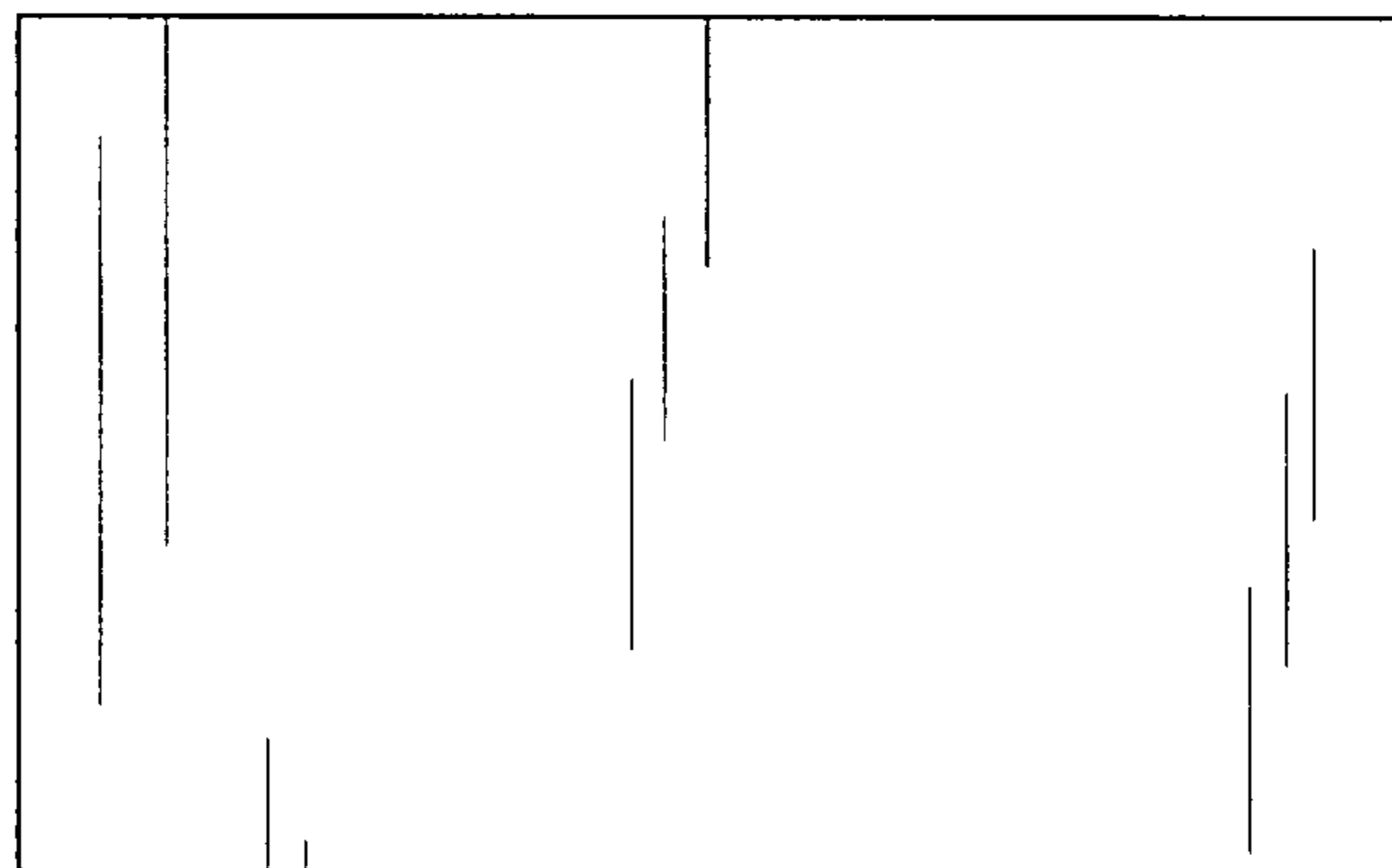


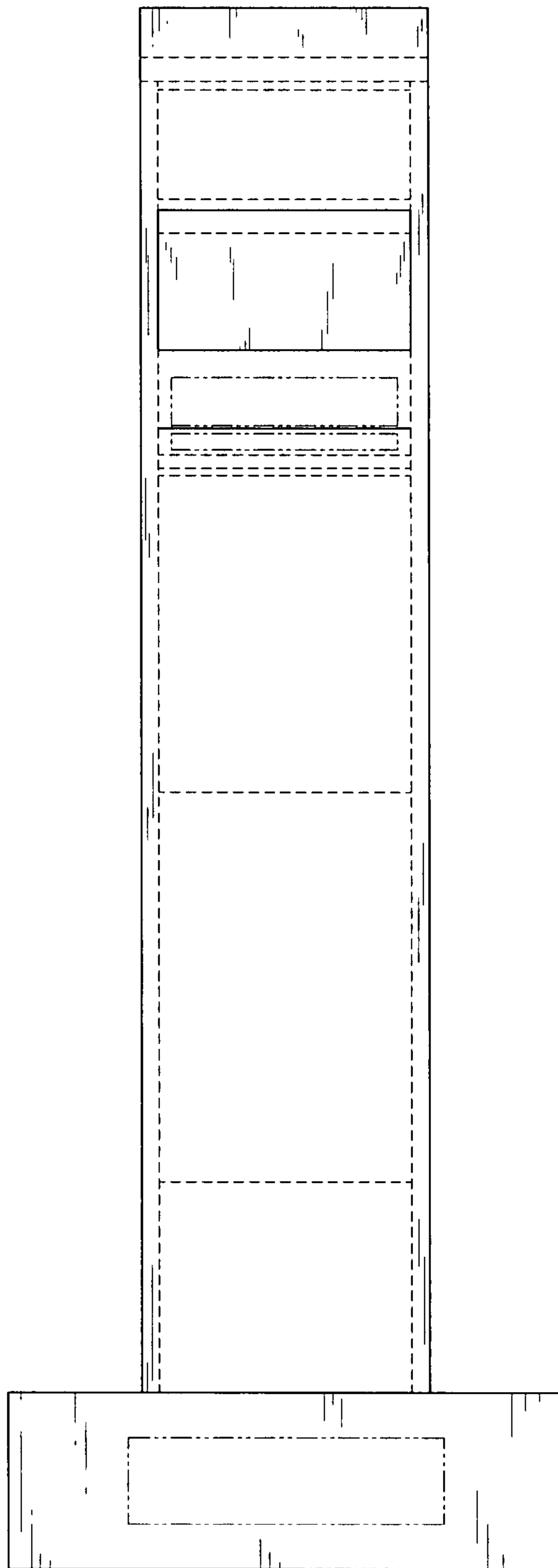
FIG. 2



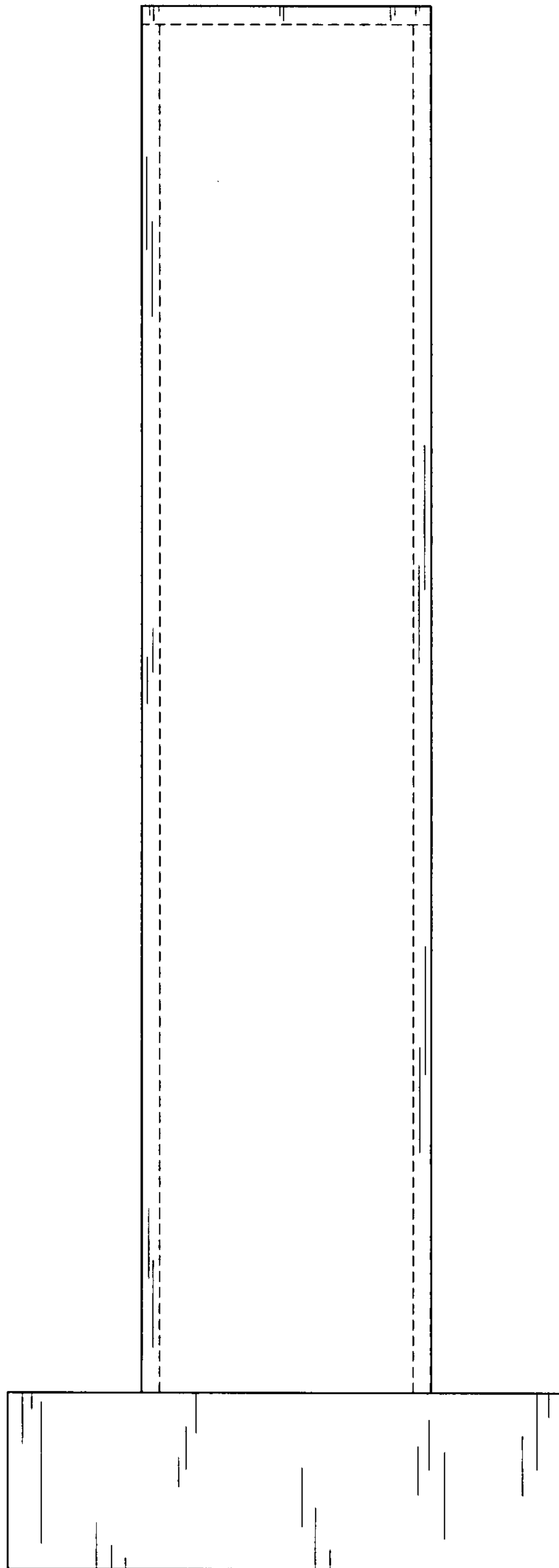
*FIG. 3*



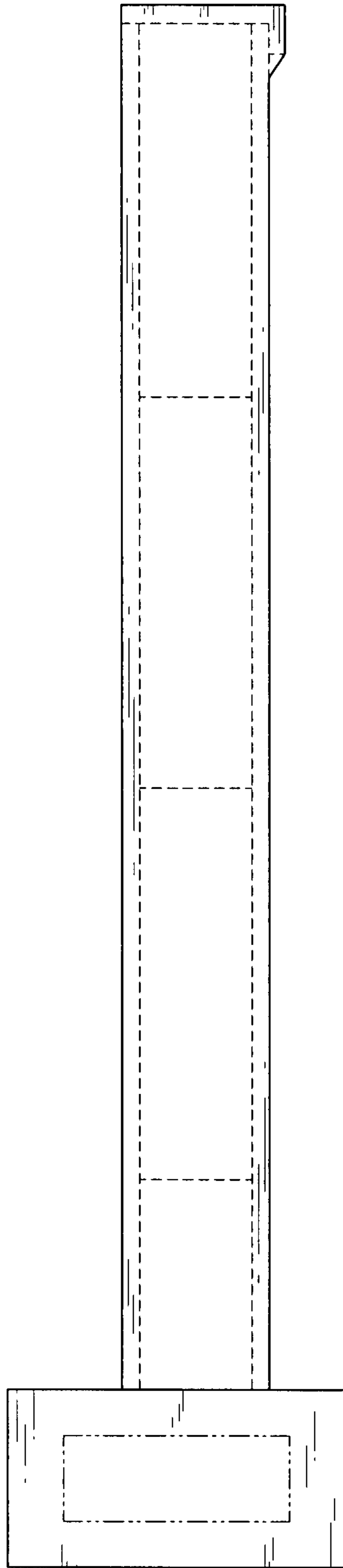
*FIG. 4*



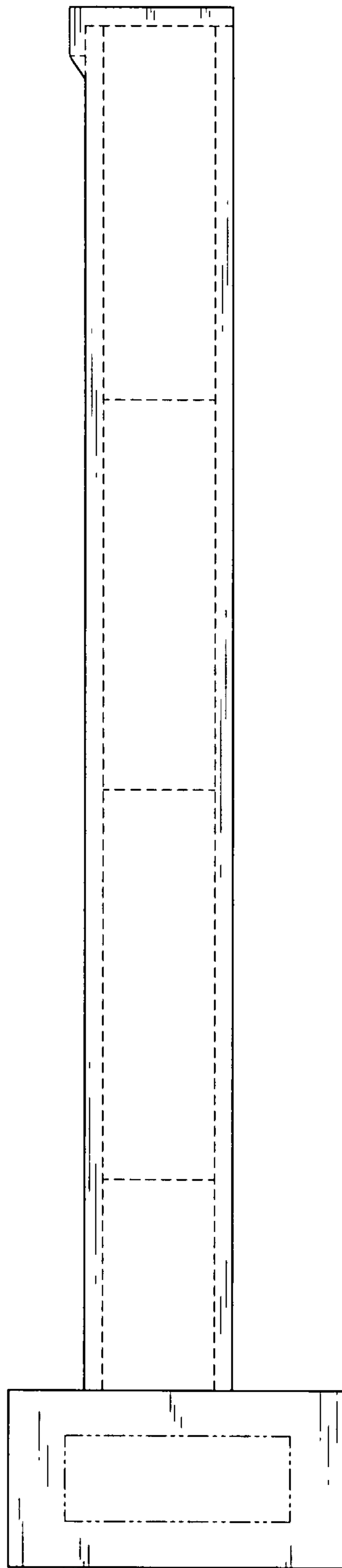
*FIG. 5*



*FIG. 6*



*FIG. 7*



*FIG. 8*