



US00D582508S

(12) **United States Design Patent**
Alley

(10) **Patent No.:** **US D582,508 S**

(45) **Date of Patent:** **** Dec. 9, 2008**

(54) **PORTABLE FOUR-ROD FISHING POLE
HOLDER/ORGANIZER**

D546,102 S * 7/2007 Lawrence D6/552

* cited by examiner

(76) **Inventor:** **Corey James Alley**, P.O. Box 8747,
Madeira Beach, FL (US) 33738

Primary Examiner—Catherine R Oliver

(74) *Attorney, Agent, or Firm*—Larson & Larson; Frank
Liebenon

(**) **Term:** **14 Years**

(57) **CLAIM**

(21) **Appl. No.:** **29/319,353**

I claim the ornamental design for a portable four-rod fishing
pole holder/organizer, as shown and described.

(22) **Filed:** **Jun. 6, 2008**

(51) **LOC (8) Cl.** **22-05**

DESCRIPTION

(52) **U.S. Cl.** **D22/147**

FIG. 1 is a front elevation view of the portable four-rod fishing
pole holder/organizer showing my novel design;

(58) **Field of Classification Search** D22/147,
D22/134, 149; 43/21.2, 25.2, 25; 206/315.11;
24/336, 338; 211/70.2, 70.8; D6/552, 455,
D6/457-458, 469, 466-468

FIG. 2 is a rear elevation view thereof;

FIG. 3 is a left side view thereof;

See application file for complete search history.

FIG. 4 is a right side view thereof;

FIG. 5 is a top plan view thereof;

(56) **References Cited**

U.S. PATENT DOCUMENTS

FIG. 6 is a bottom plan view thereof; and,

FIG. 7 is a perspective view thereof.

The broken lines shown in FIG. 7 are for illustrative purposes
only and form no part of the claimed design.

- 4,707,892 A * 11/1987 Nelson 24/336
- 5,072,539 A * 12/1991 Greenberg 43/21.2
- D394,575 S * 5/1998 Mikloczak et al. D6/552
- 5,794,375 A * 8/1998 Wright 43/25
- D426,282 S * 6/2000 Harmon D22/147

1 Claim, 4 Drawing Sheets

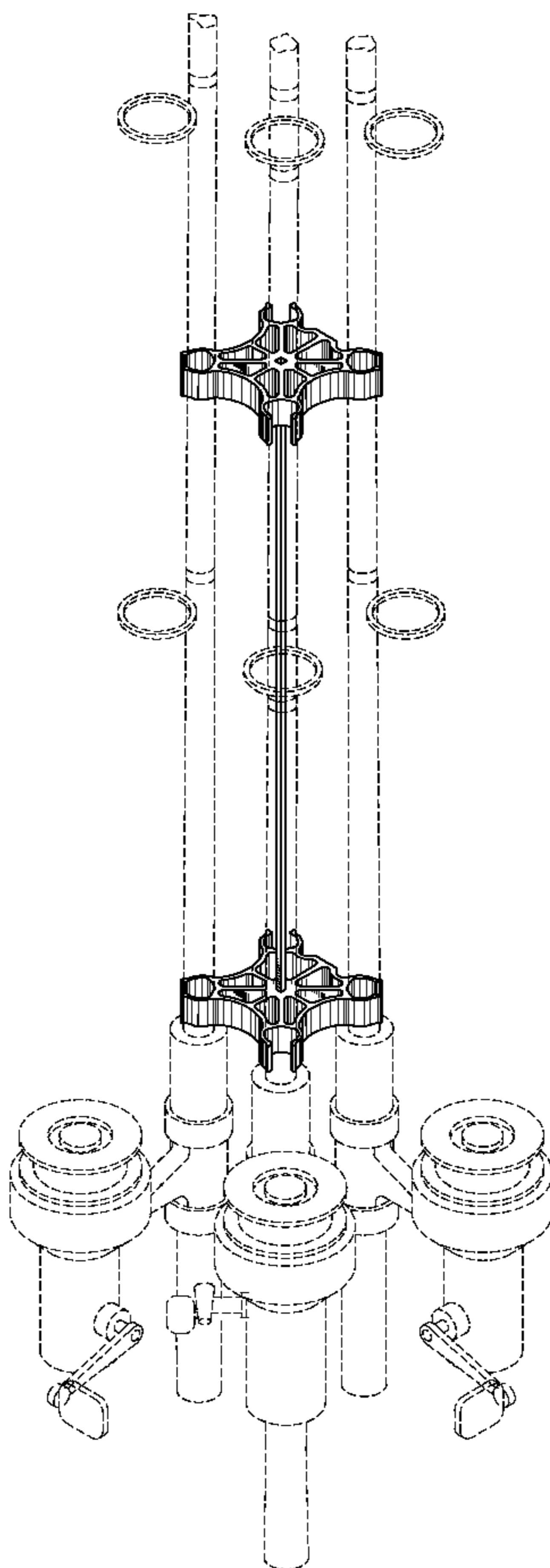


FIG. 1

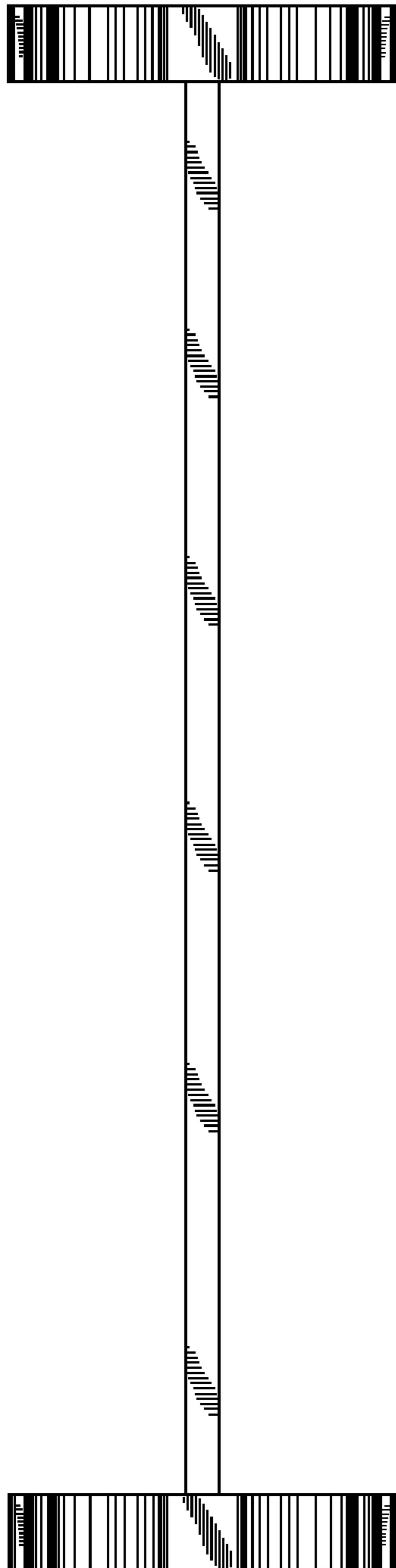


FIG. 2

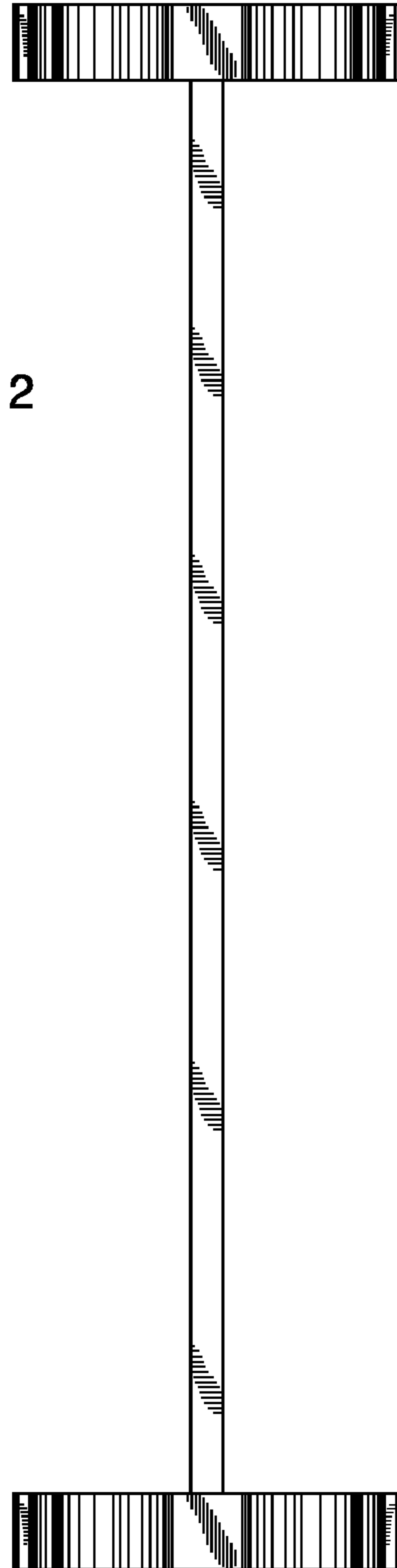


FIG. 3

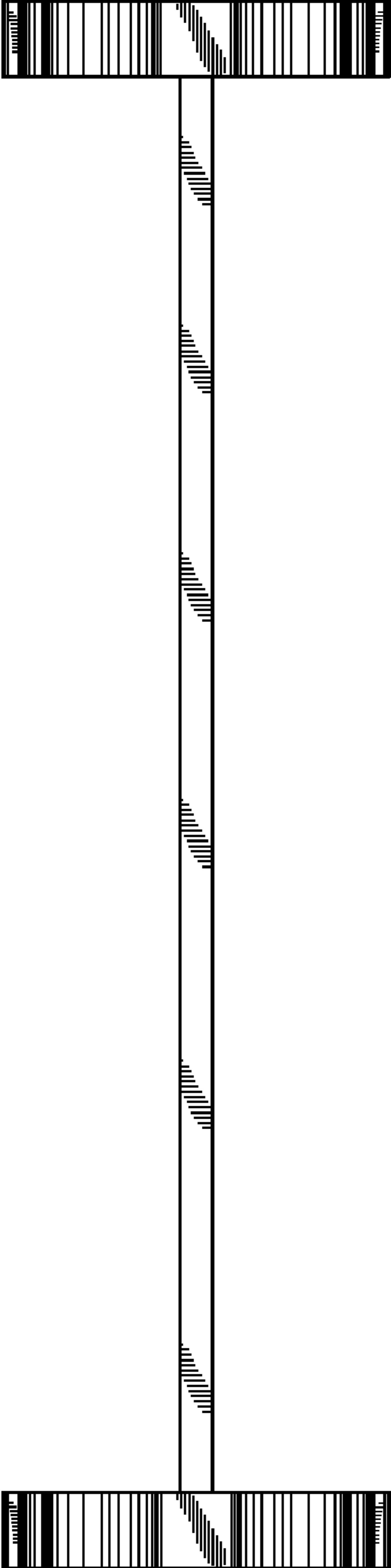


FIG. 4

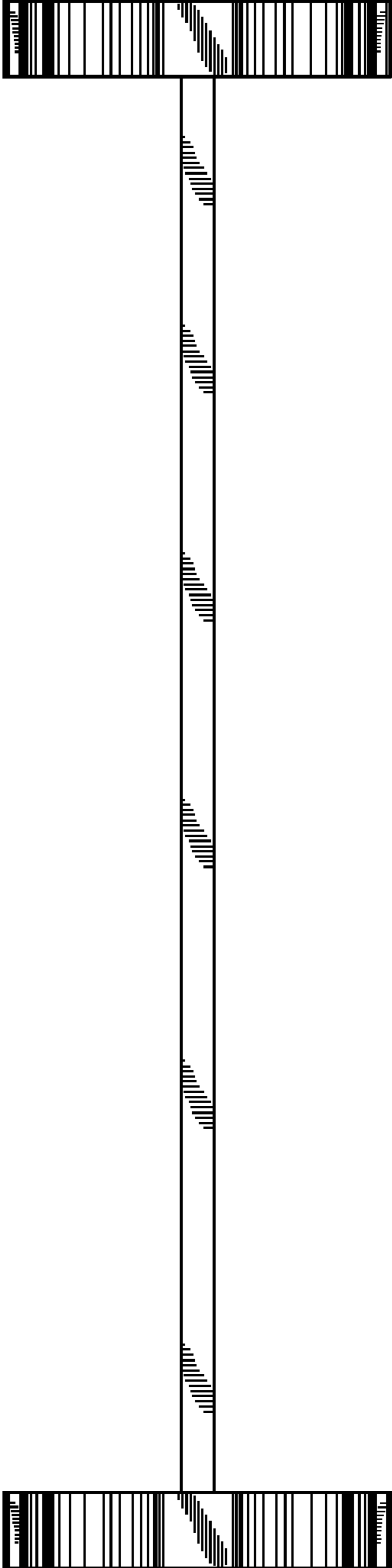


FIG. 5

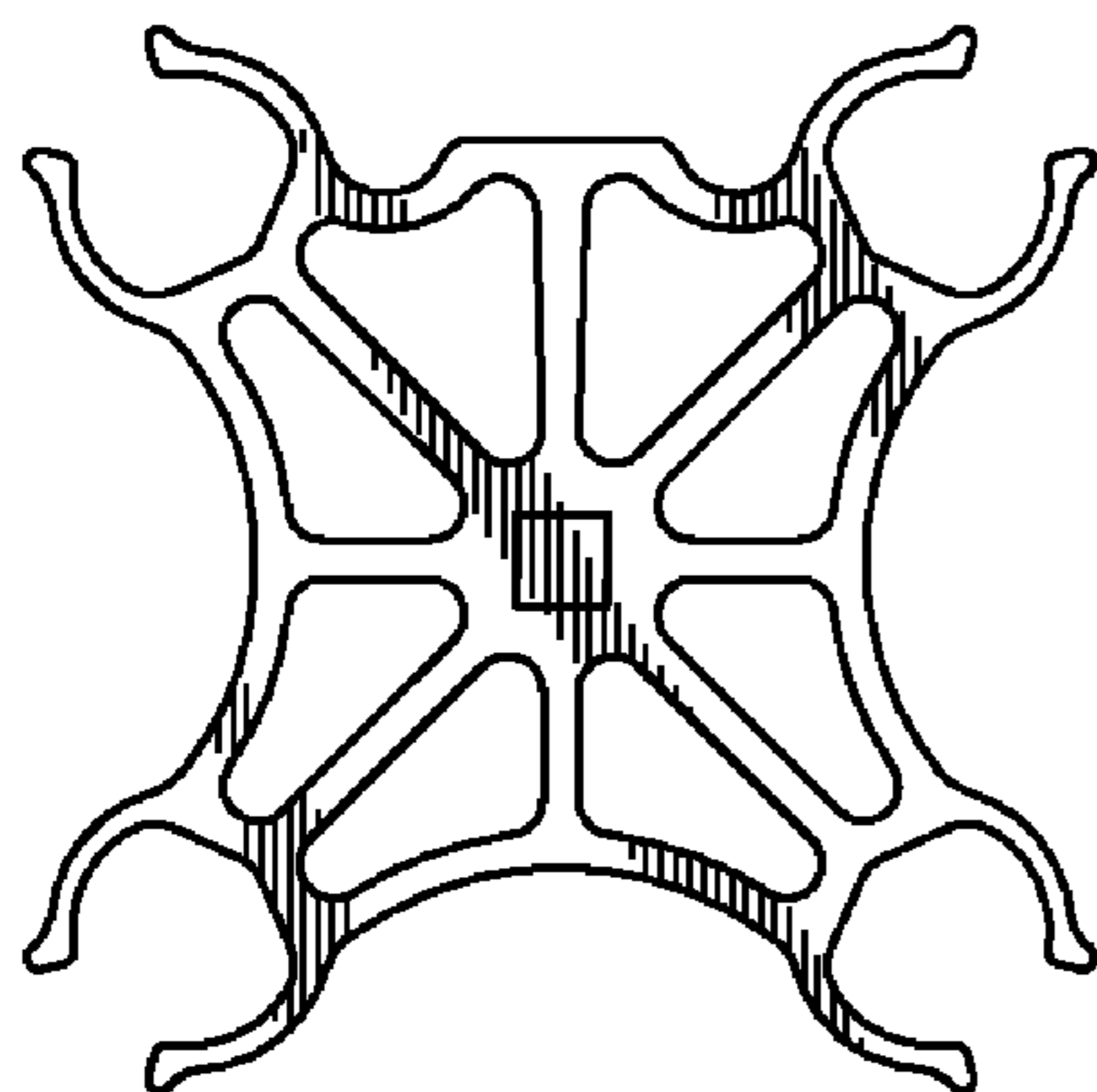


FIG. 6

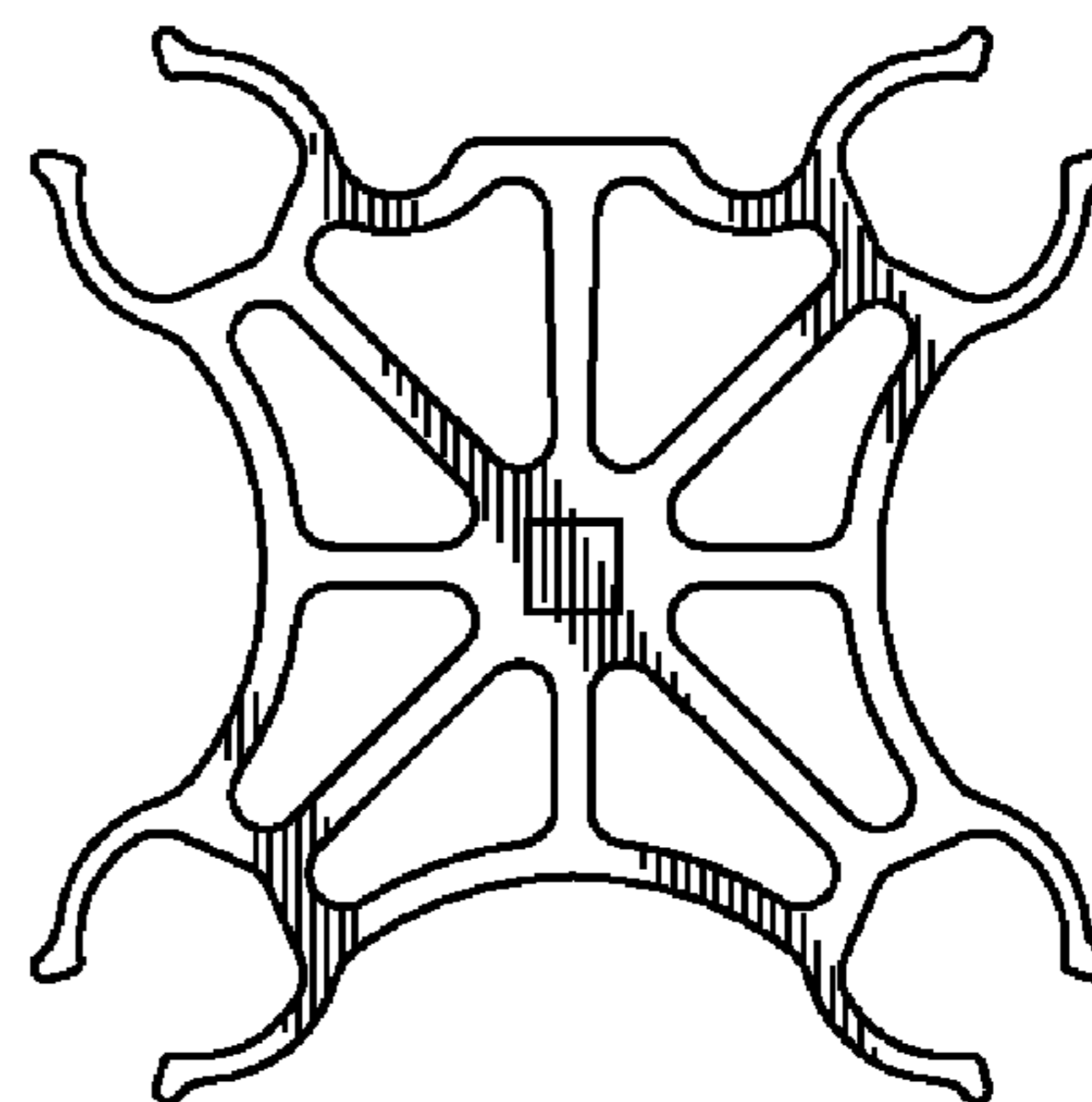


FIG. 7

