



US00D582507S

(12) **United States Design Patent**
Alley

(10) **Patent No.:** **US D582,507 S**

(45) **Date of Patent:** **** Dec. 9, 2008**

(54) **PORTABLE THREE-ROD FISHING POLE
HOLDER/ORGANIZER**

D546,102 S * 7/2007 Lawrence D6/552

* cited by examiner

(76) Inventor: **Corey James Alley**, P.O. Box 8747,
Madeira Beach, FL (US) 33738

Primary Examiner—Catherine R Oliver

(74) *Attorney, Agent, or Firm*—Larson & Larson; Frank
Liebenon

(**) Term: **14 Years**

(57) **CLAIM**

(21) Appl. No.: **29/319,350**

I claim the ornamental design for a portable three-rod fishing
pole holder/organizer, as shown and described.

(22) Filed: **Jun. 6, 2008**

(51) **LOC (8) Cl.** **22-05**

(52) **U.S. Cl.** **D22/147**

(58) **Field of Classification Search** D22/147,
D22/134, 149; 43/21.2, 25.2, 25; D6/552,
D6/329, 455, 466, 467; 211/70.2, 70.8; 206/315.11;
24/336, 338

See application file for complete search history.

DESCRIPTION

FIG. 1 is a front elevation view of the portable three-rod
fishing pole holder/organizer showing my novel design;

FIG. 2 is a rear elevation view thereof;

FIG. 3 is a left side view thereof;

FIG. 4 is a right side view thereof;

FIG. 5 is a top plan view thereof;

FIG. 6 is a bottom plan view thereof; and,

FIG. 7 is a perspective view thereof.

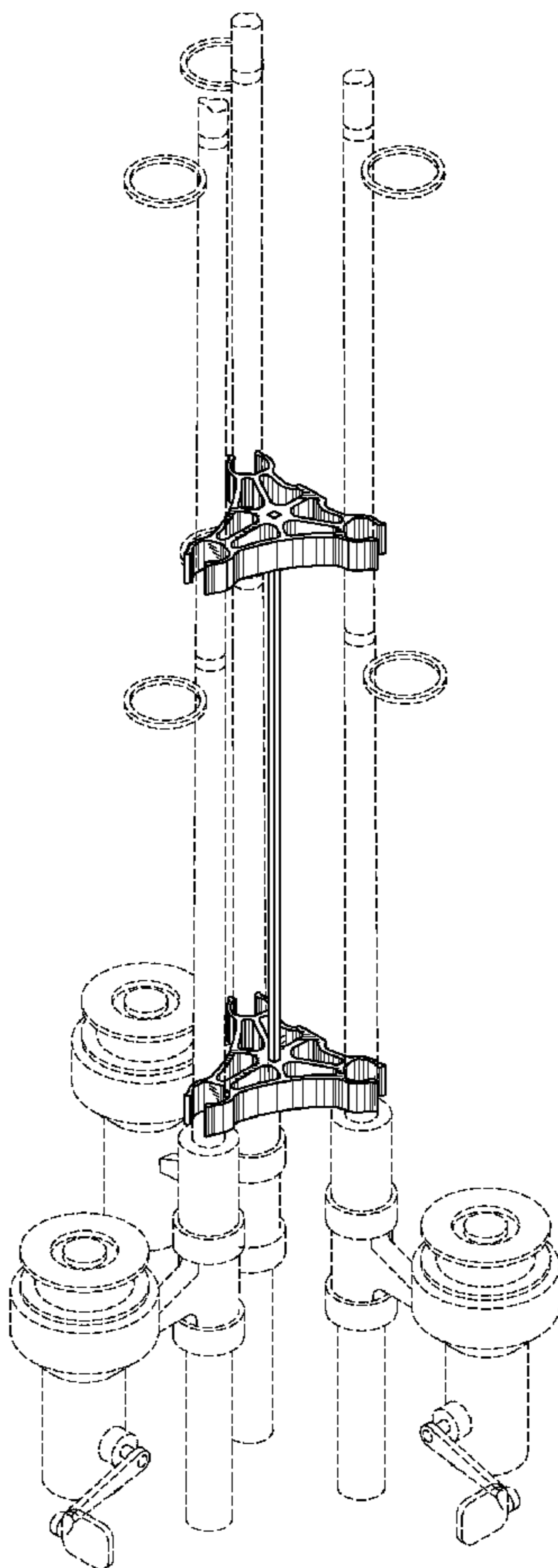
The broken lines shown in FIG. 7 are for illustrative purposes
only and form no part of the claimed design.

(56) **References Cited**

U.S. PATENT DOCUMENTS

4,707,892	A *	11/1987	Nelson	24/336
5,072,539	A *	12/1991	Greenberg	43/21.2
D394,575	S *	5/1998	Mikloczak et al.	D6/552
5,794,375	A *	8/1998	Wright	43/25
D426,282	S *	6/2000	Harmon	D22/147

1 Claim, 4 Drawing Sheets



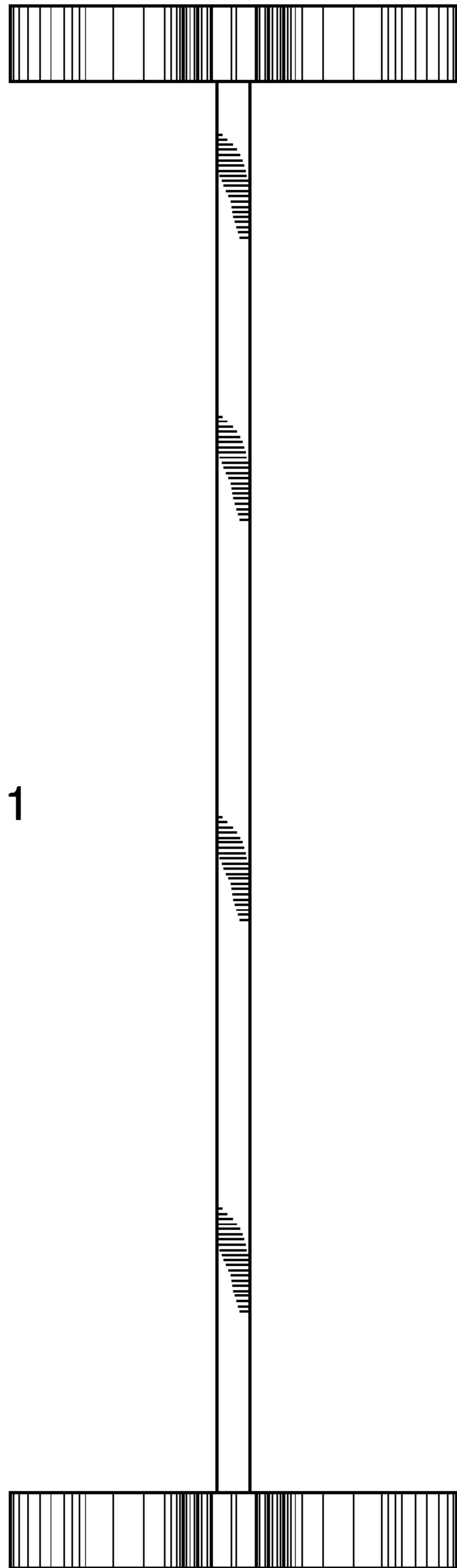


FIG. 1

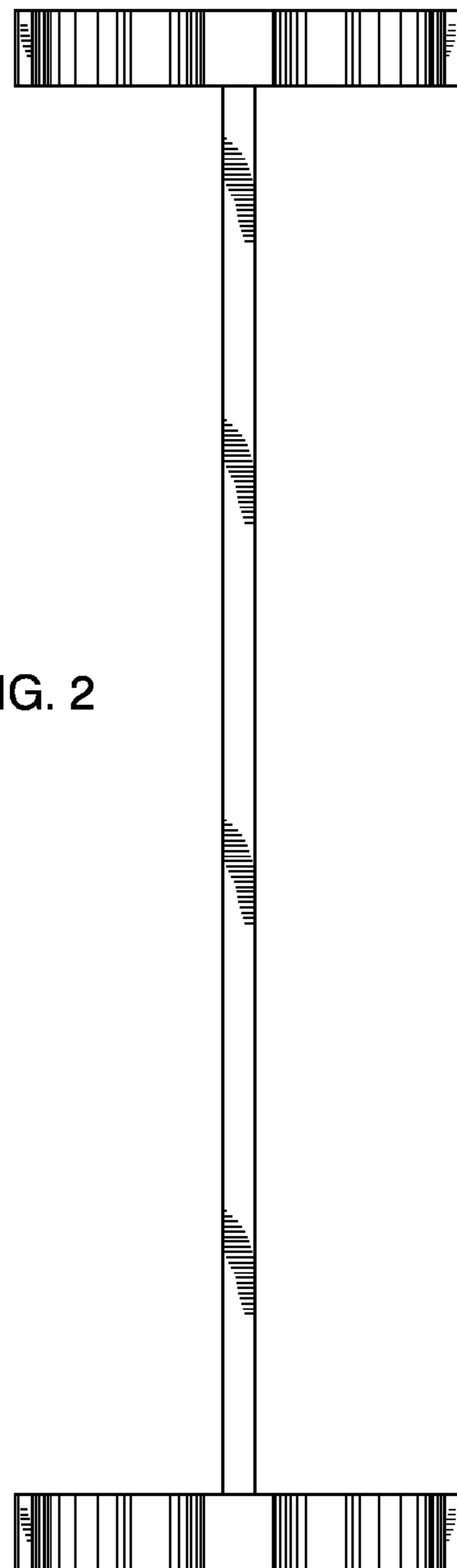


FIG. 2

FIG. 3

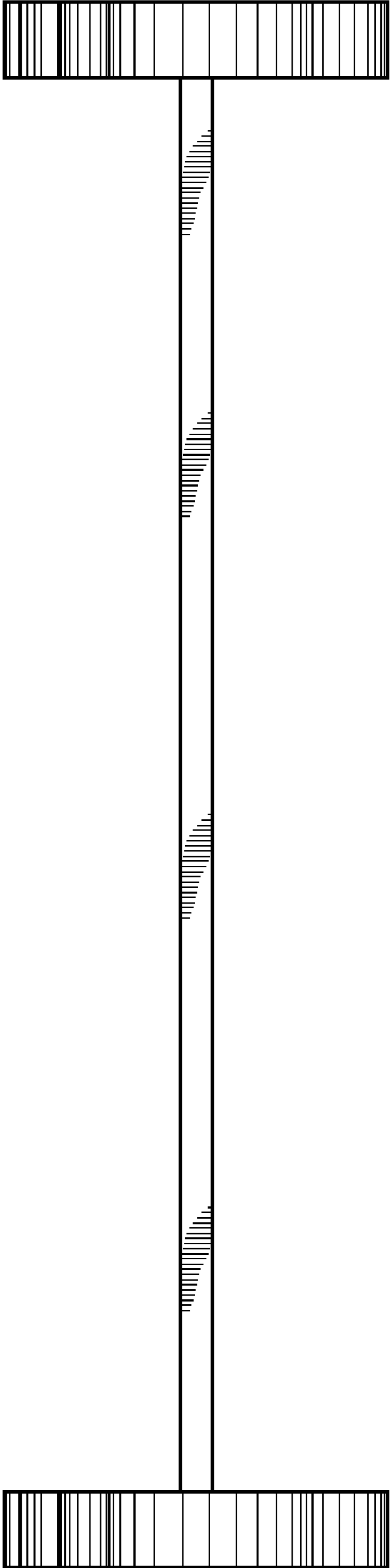


FIG. 4

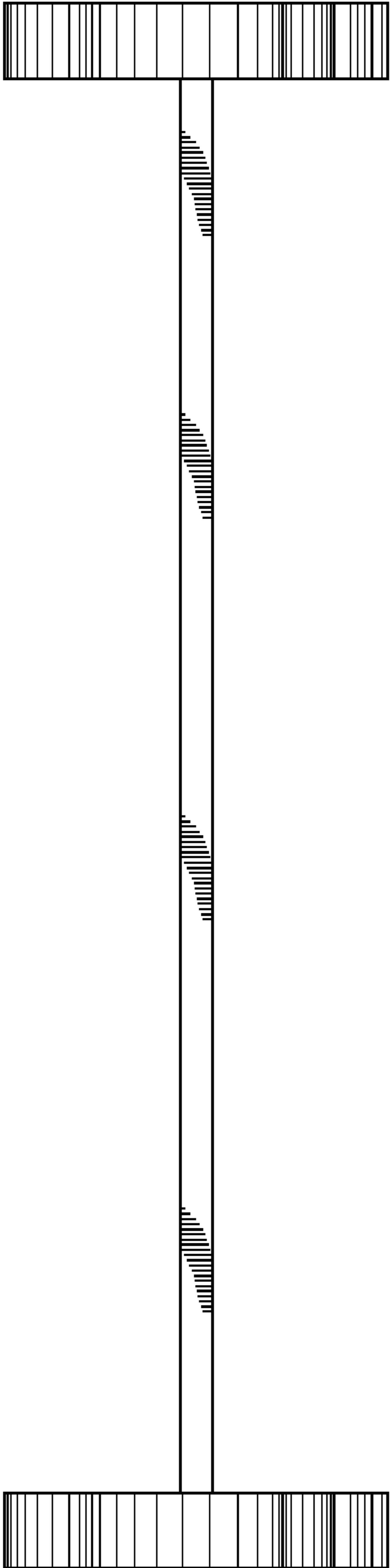


FIG. 5

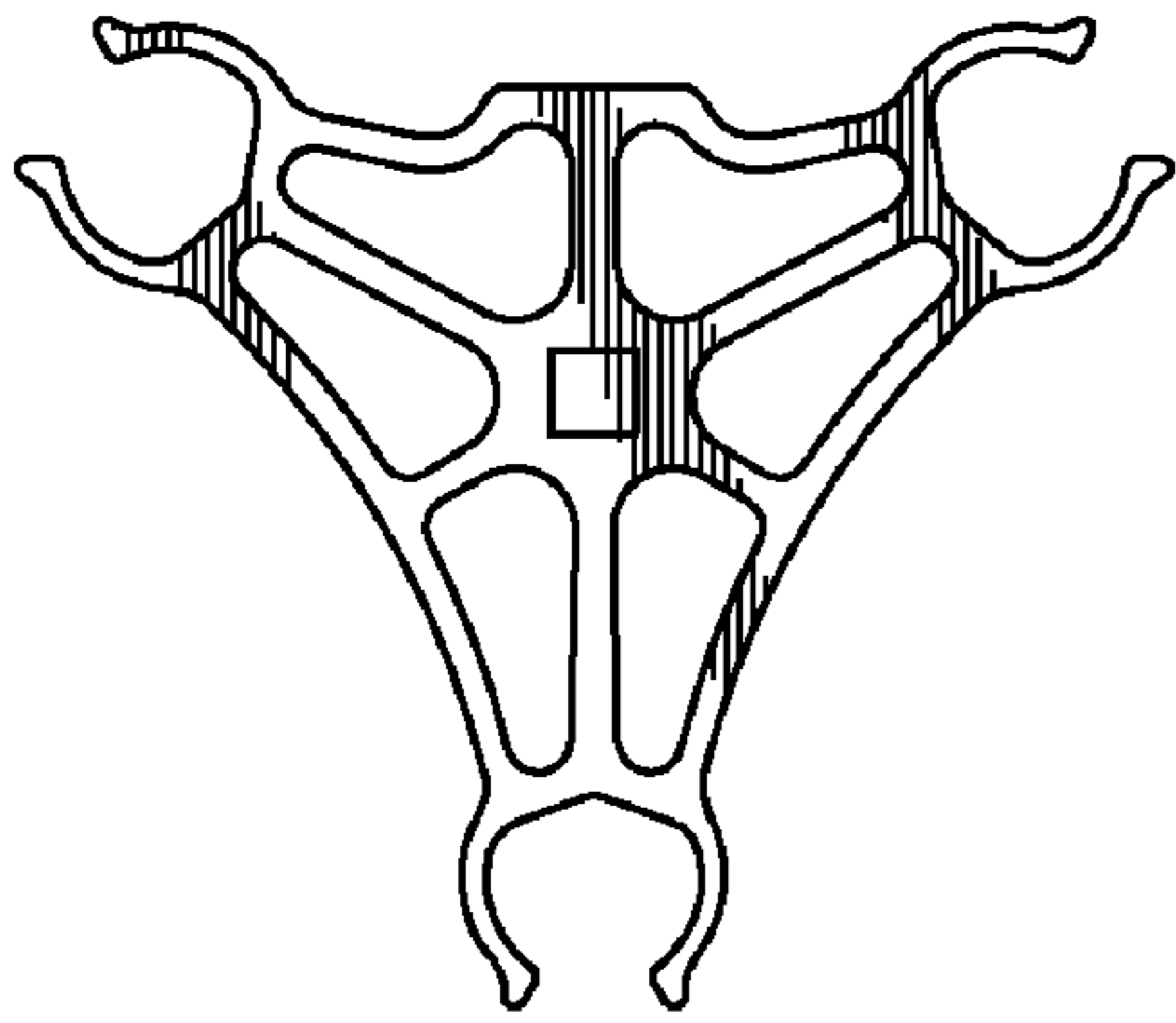


FIG. 6

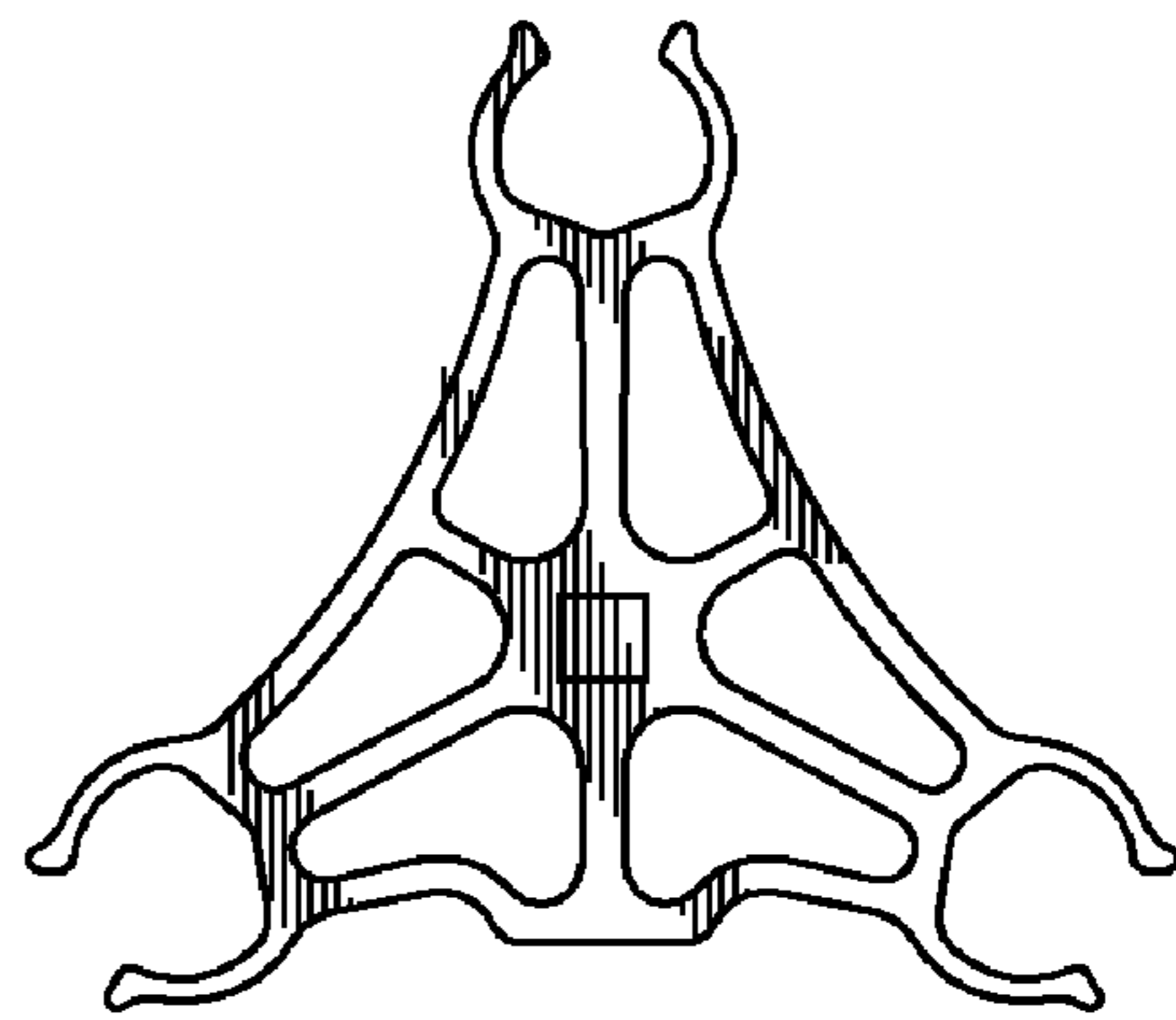


FIG. 7

