



US00D582506S

(12) **United States Design Patent**
Koelewyn

(10) **Patent No.:** **US D582,506 S**
(45) **Date of Patent:** **** Dec. 9, 2008**

(54) **SPINNING REEL**

(75) Inventor: **Robert W. Koelewyn**, Milford, CT (US)

(73) Assignee: **Zeebaas, LLC**, Stratford, CT (US)

(**) Term: **14 Years**

(21) Appl. No.: **29/272,515**

(22) Filed: **Feb. 9, 2007**

(51) **LOC (8) Cl.** **22-05**

(52) **U.S. Cl.** **D22/141**

(58) **Field of Classification Search** D22/137-142;
43/19-22; 242/223-224, 234, 283, 311,
242/316, 322, 370

See application file for complete search history.

(56) **References Cited**

U.S. PATENT DOCUMENTS

D150,213 S	7/1948	Denys	D22/141
D178,599 S	8/1956	Genero et al.	D22/141
2,762,579 A	9/1956	Mauborgne	242/232
2,942,798 A	6/1960	Alinari	242/232
D208,910 S	10/1967	Mimeur	D22/141
D223,605 S	5/1972	Endo et al.	D22/141
D374,908 S *	10/1996	Koelewyn	D22/141
D497,969 S *	11/2004	Iwabuchi	D22/141
D505,991 S *	6/2005	Iwabuchi et al.	D22/141
D506,524 S *	6/2005	Kitazaki	D22/141
D539,378 S *	3/2007	Kondo et al.	D22/141

OTHER PUBLICATIONS

Netcraft Fishing Tackle Co., c1967, Catalog 678 True Temper Reel.

* cited by examiner

Primary Examiner—Catherine R Oliver

(74) *Attorney, Agent, or Firm*—James R. Frederick; Ware Fressola Van Der Sluys & Adolphson LLP

(57) **CLAIM**

The ornamental design for a spinning reel, as shown and described.

DESCRIPTION

FIG. 1 is a first perspective view of a first embodiment of a spinning reel of the invention;

FIG. 2 is a second perspective view of the spinning reel of FIG. 1;

FIG. 3 is a left side elevation view of the spinning reel of FIG. 1;

FIG. 4 is a right side elevation view of the spinning reel of FIG. 1;

FIG. 5 is a front elevation view of the spinning reel of FIG. 1;

FIG. 6 is a rear elevation view of the spinning reel of FIG. 1;

FIG. 7 is a top view of the spinning reel of FIG. 1;

FIG. 8 is a bottom view of the spinning reel of FIG. 1;

FIG. 9 is a first perspective view of a second embodiment of a spinning reel of the invention;

FIG. 10 is a second perspective view of the spinning reel of FIG. 9;

FIG. 11 is a left side elevation view of the spinning reel of FIG. 9;

FIG. 12 is a right side elevation view of the spinning reel of FIG. 9;

FIG. 13 is a front elevation view of the spinning reel of FIG. 9;

FIG. 14 is a rear elevation view of the spinning reel of FIG. 9;

FIG. 15 is a top view of the spinning reel of FIG. 9; and,

FIG. 16 is a bottom view of the spinning reel of FIG. 9.

The break lines are for illustrative purposes and form no part of the claimed design.

1 Claim, 8 Drawing Sheets

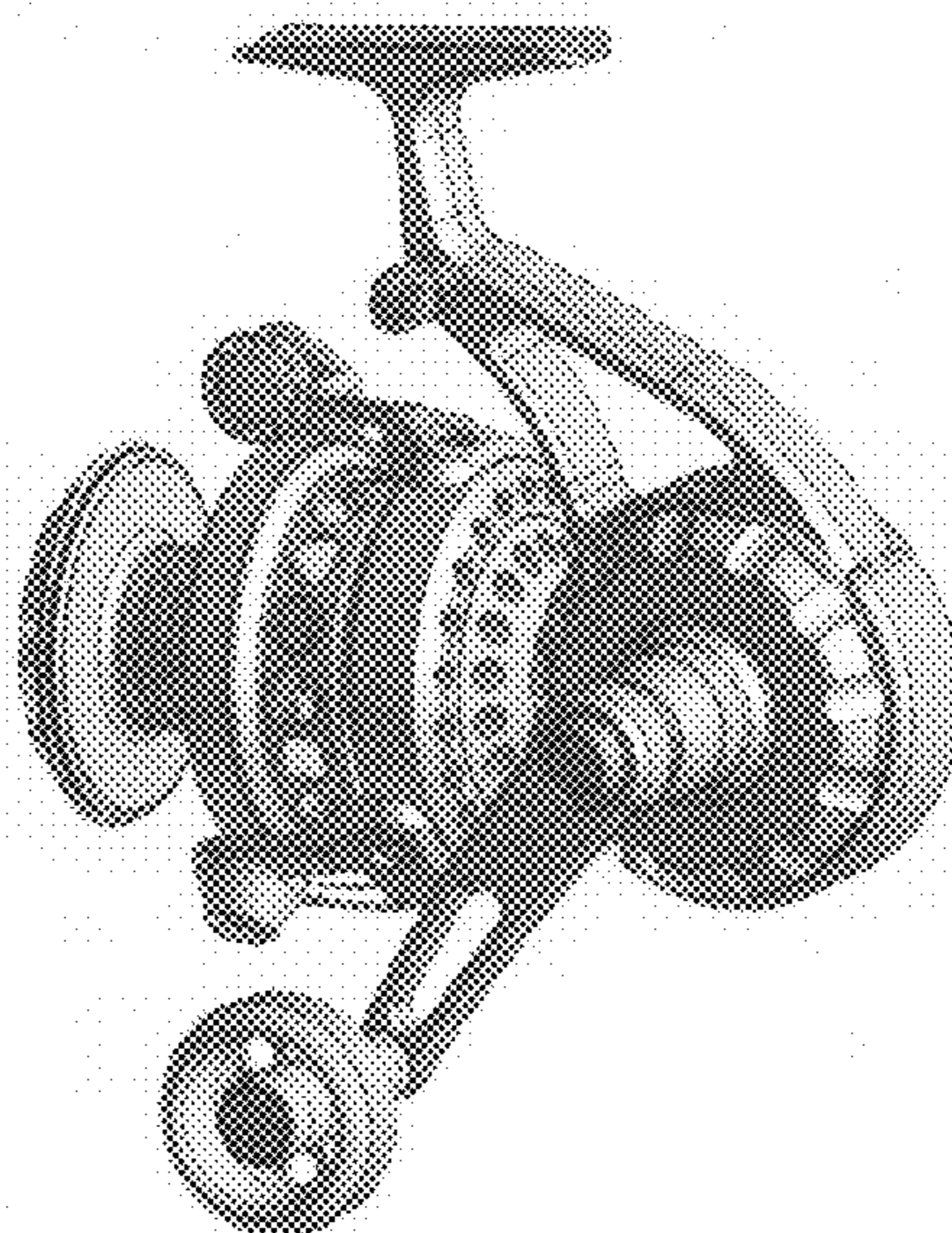


FIG. 1

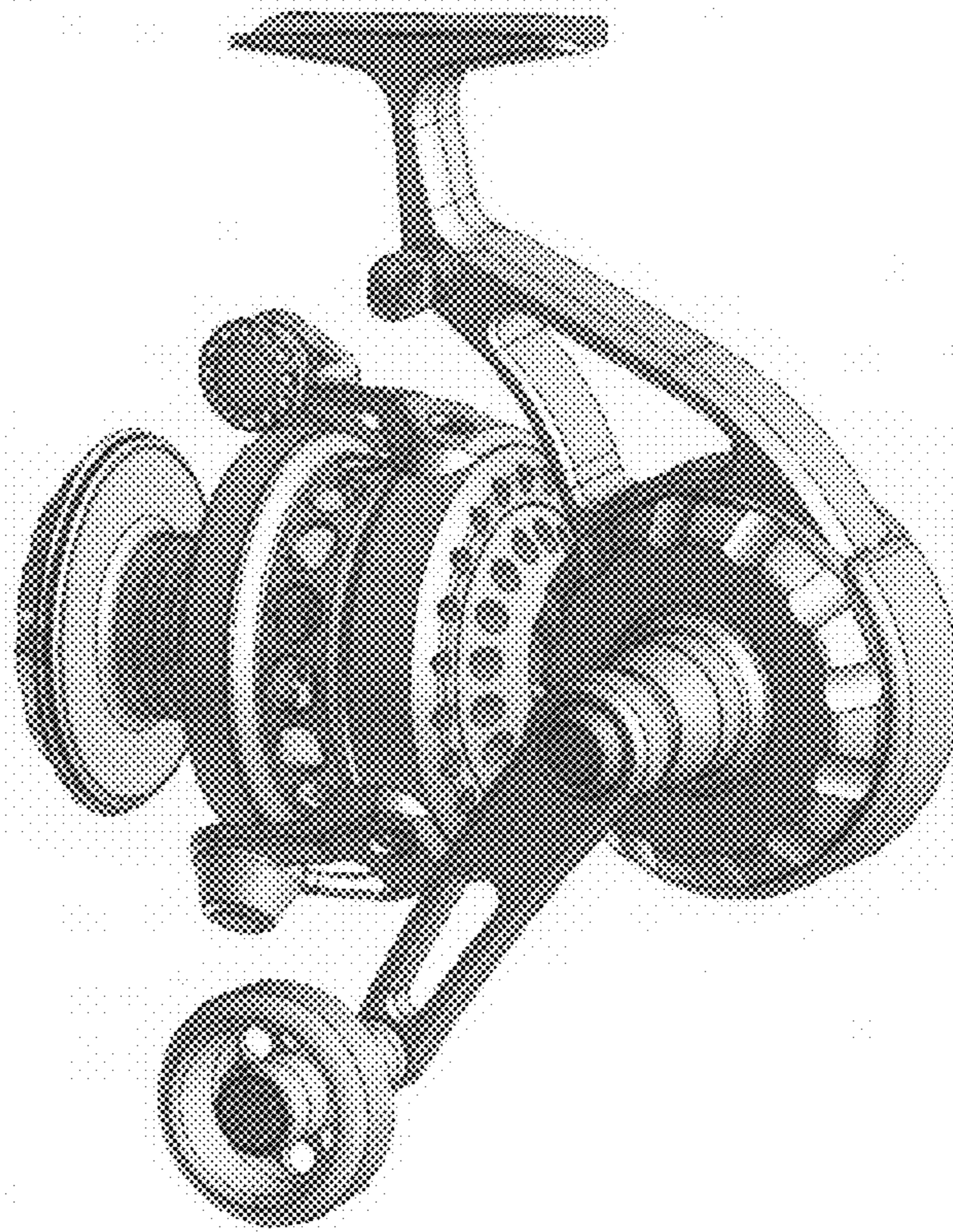


FIG. 2

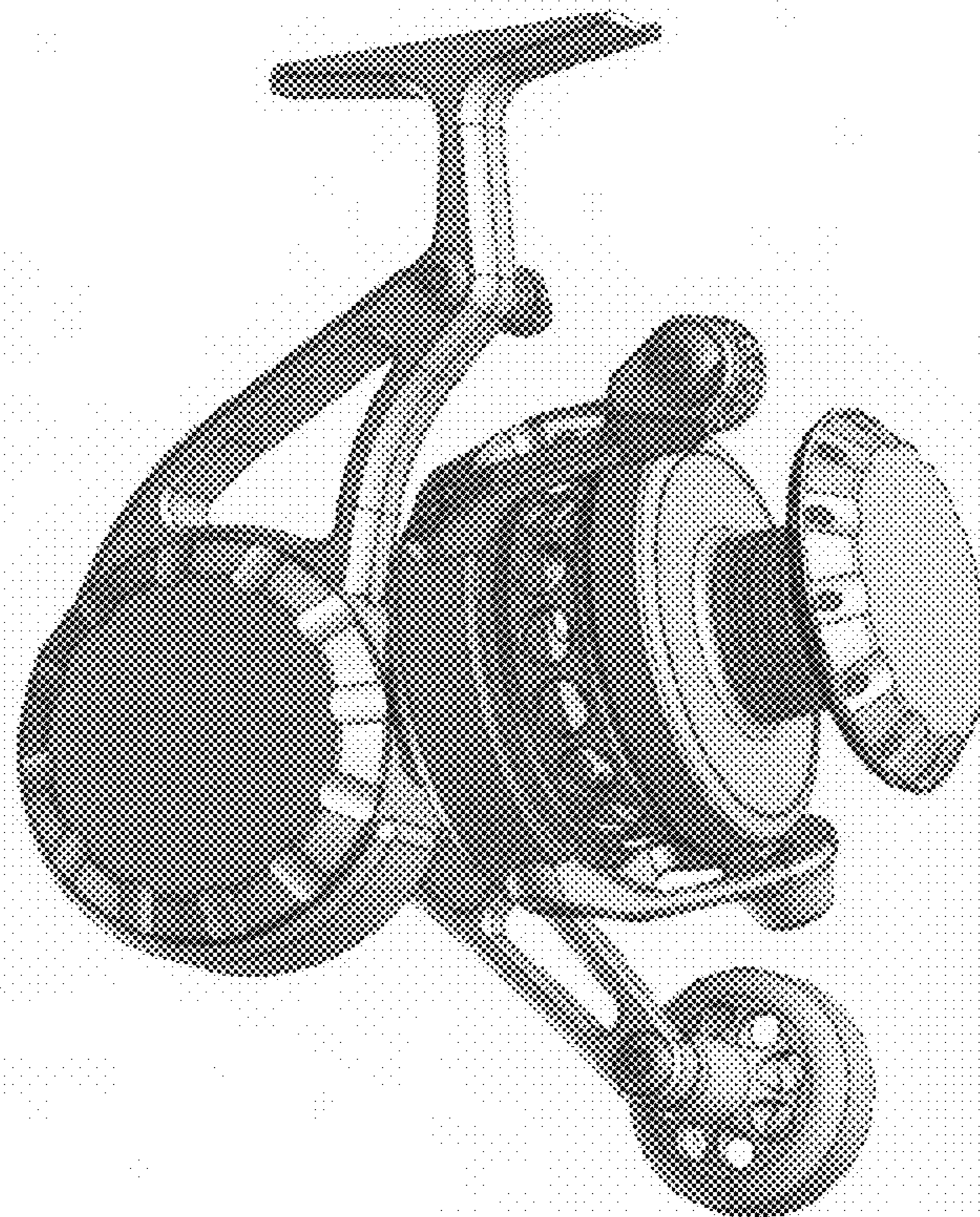


FIG. 3

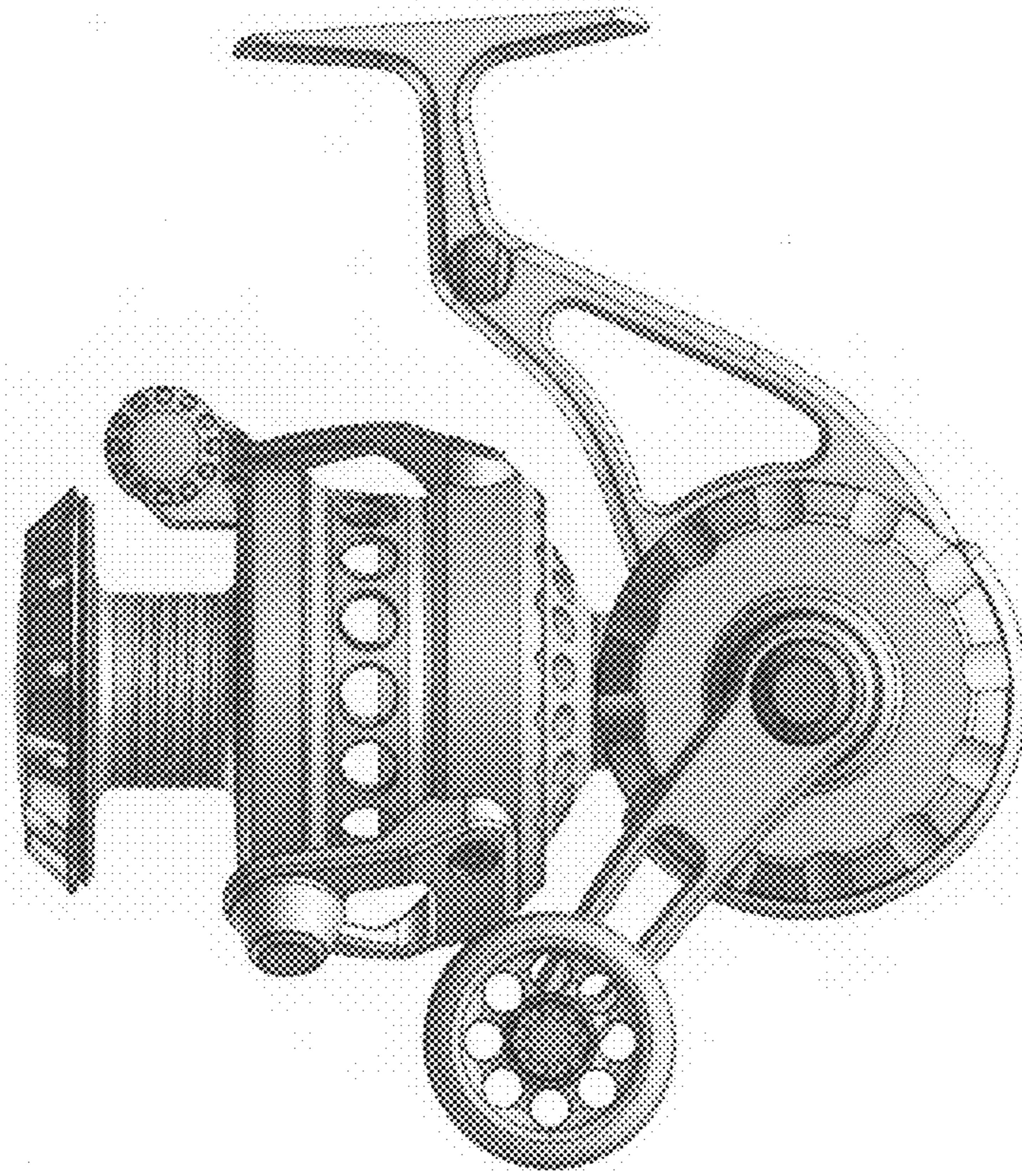


FIG. 4

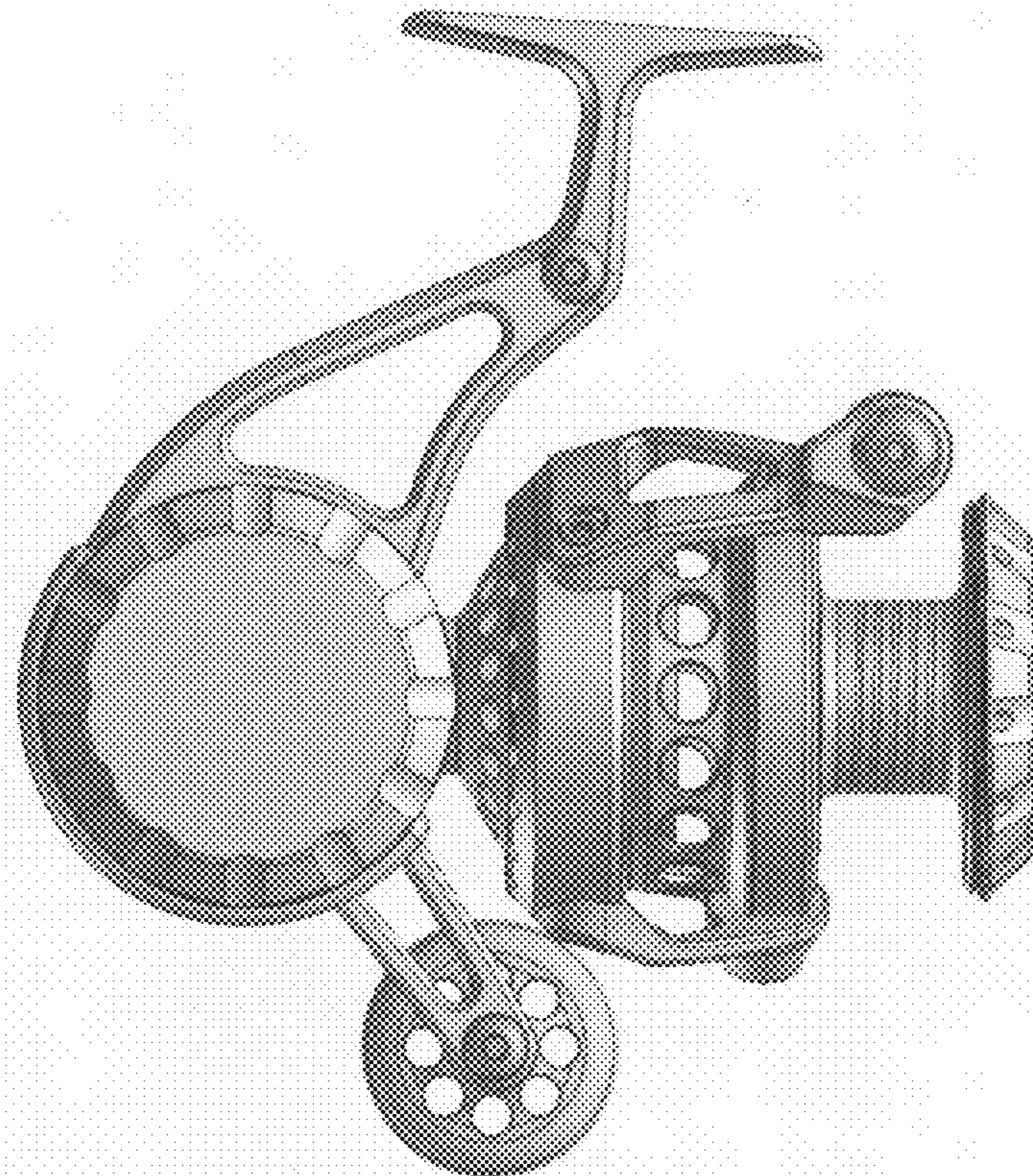


FIG. 5

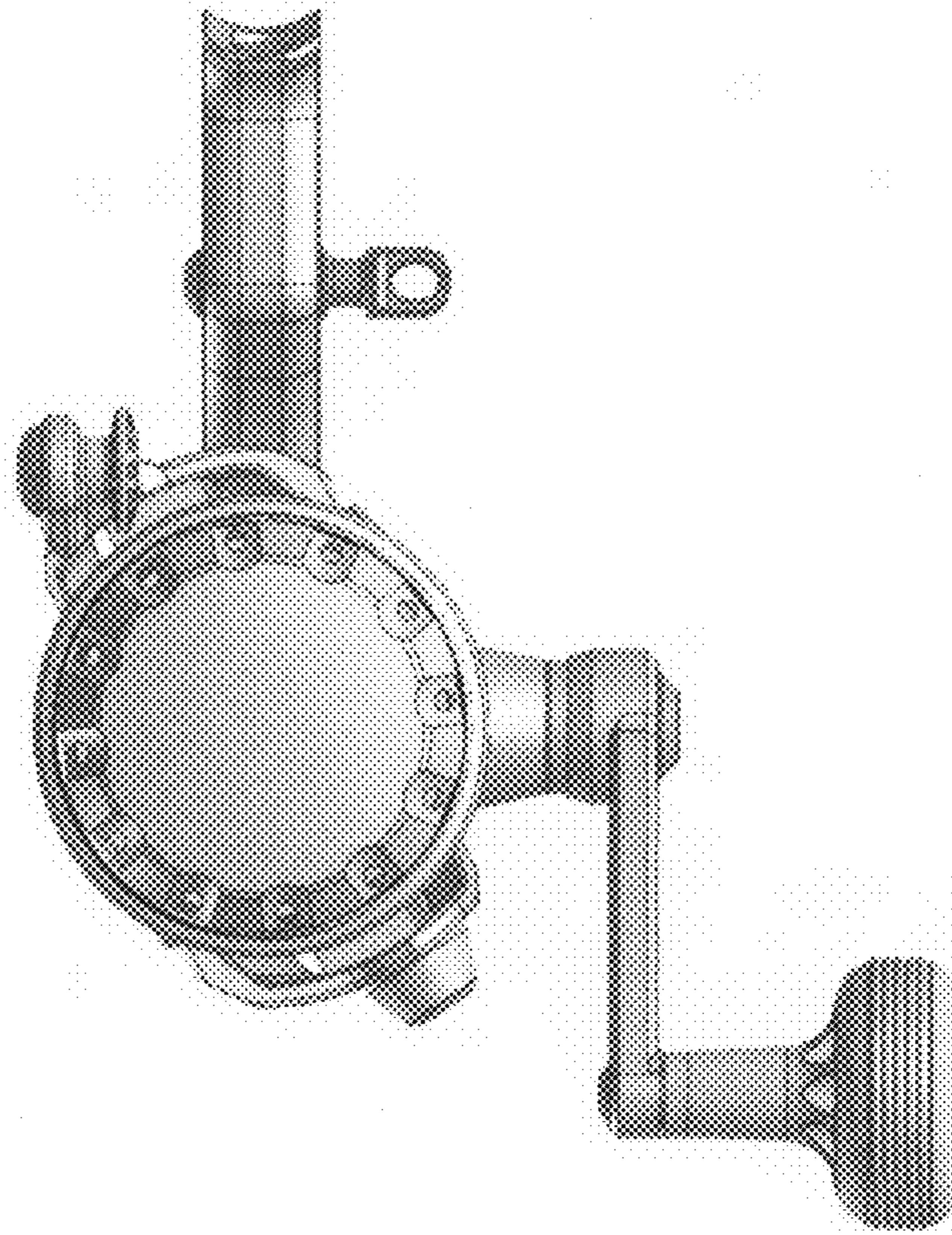


FIG. 6

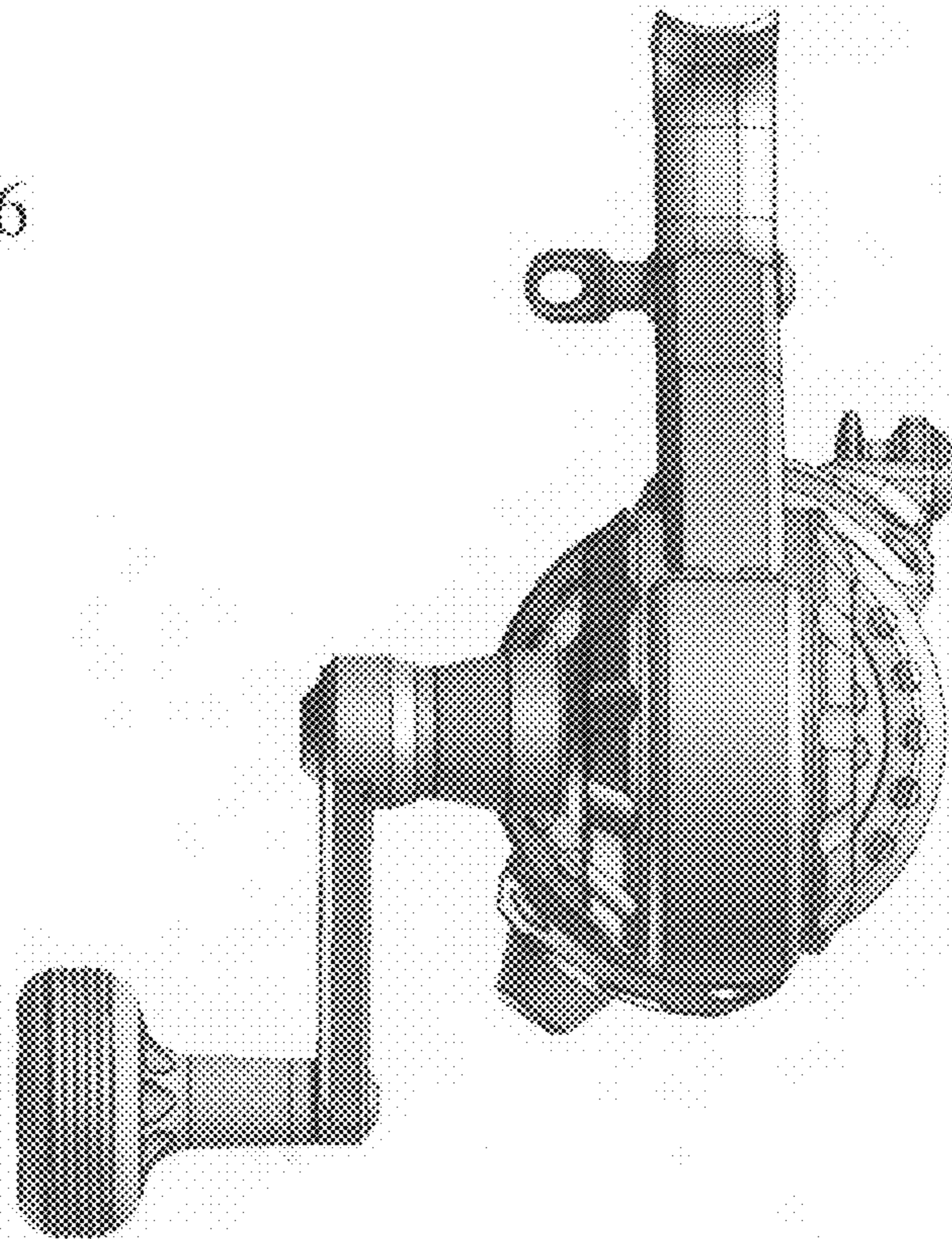


FIG. 7

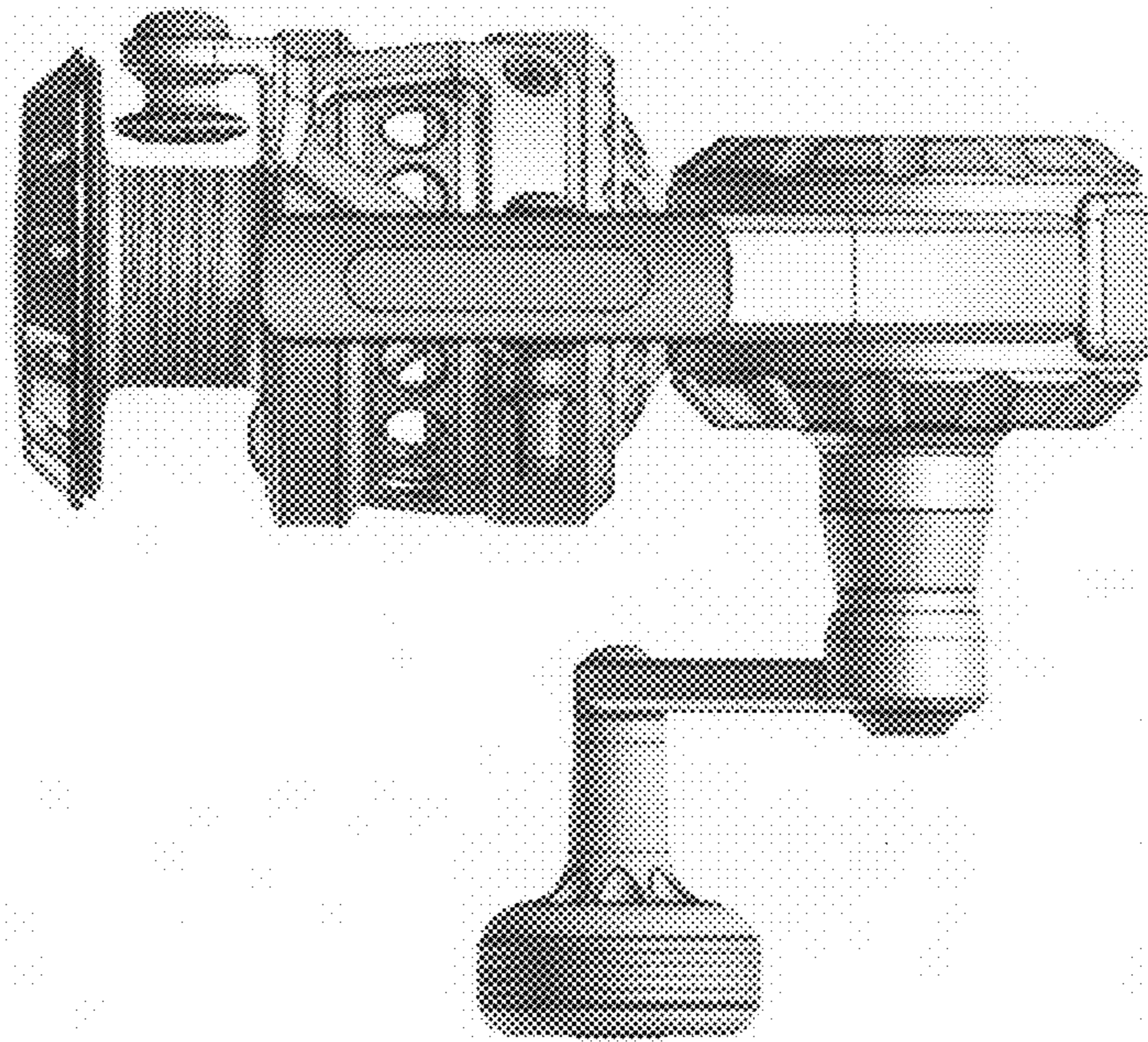


FIG. 8

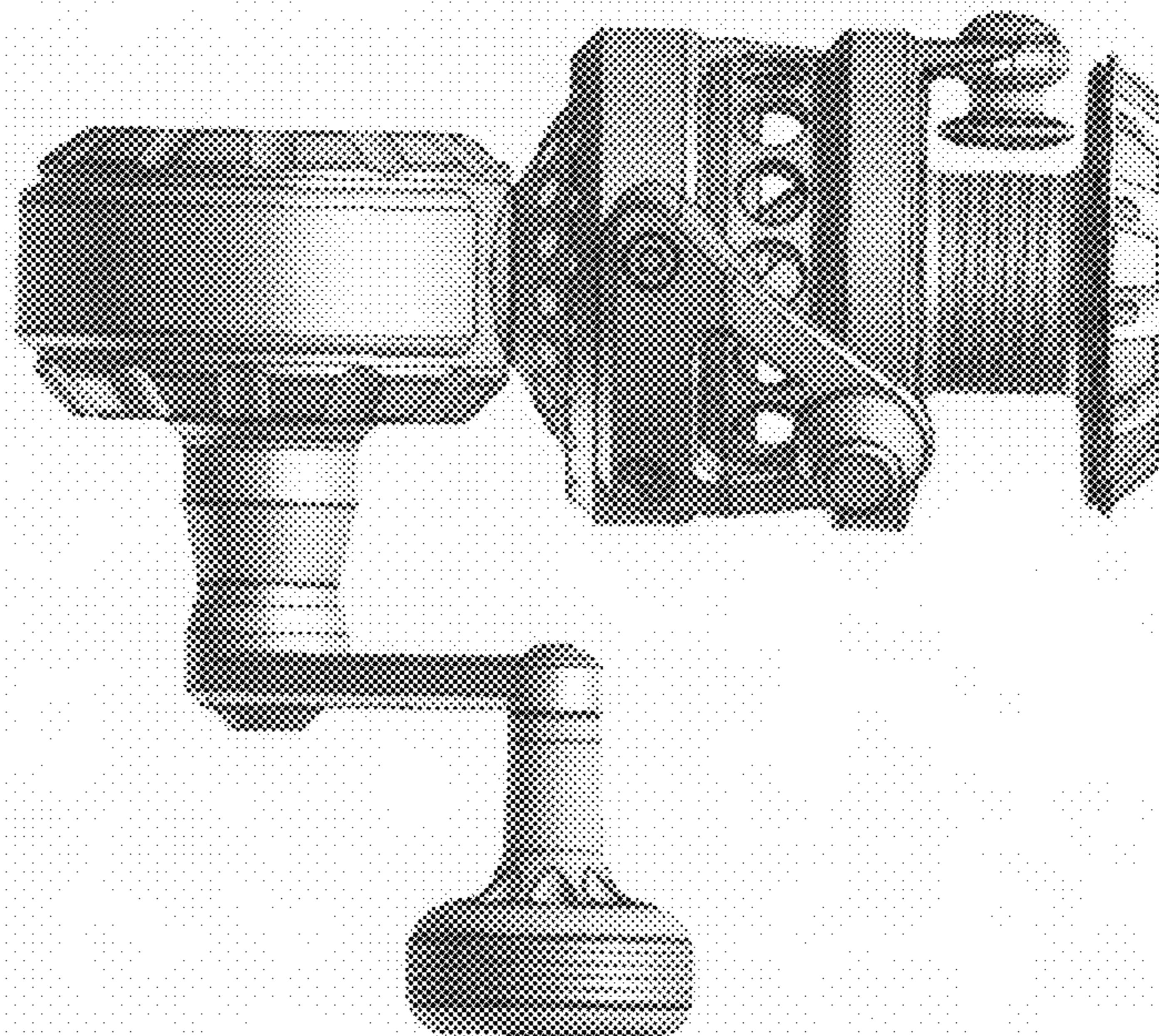


FIG. 9

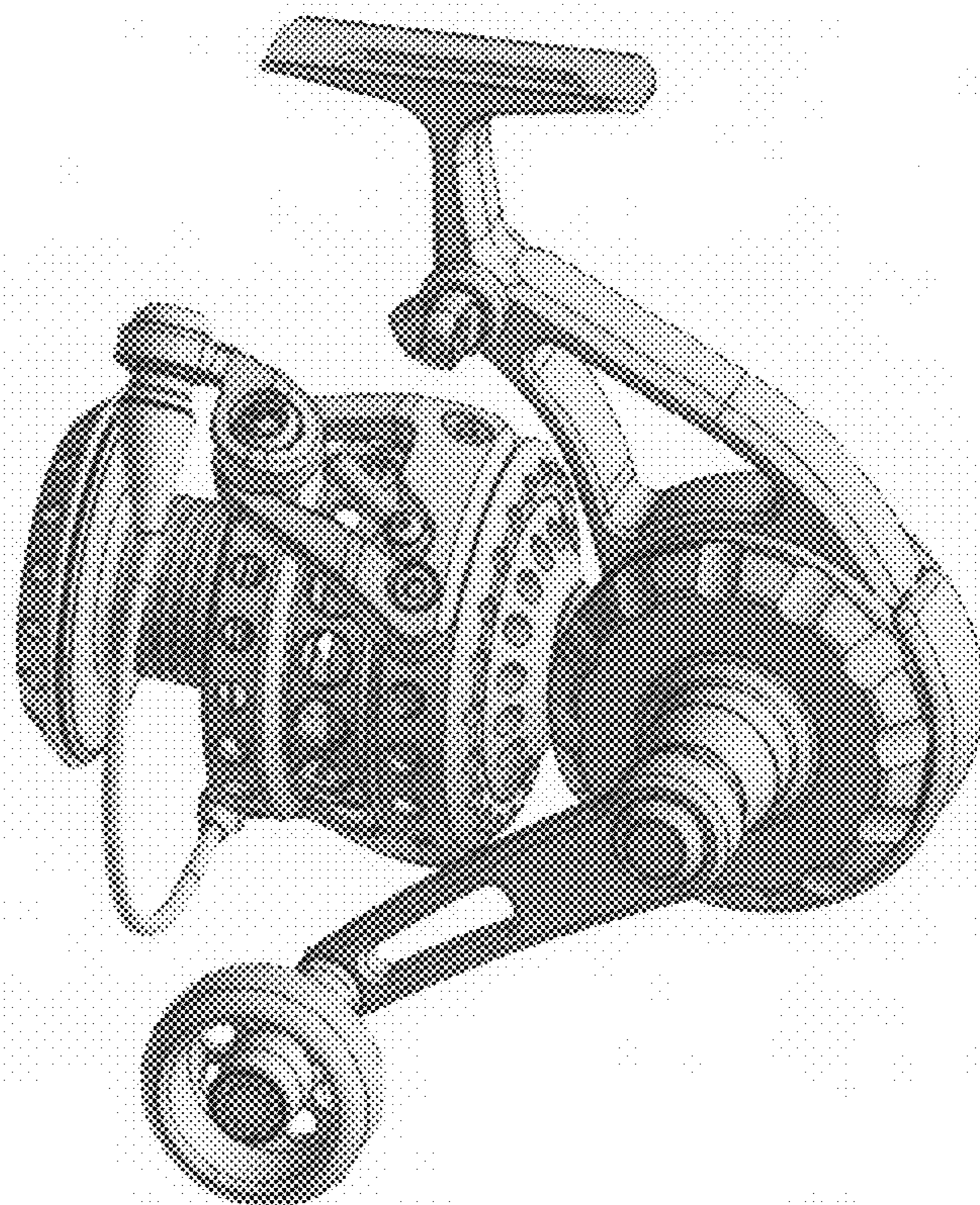


FIG. 10

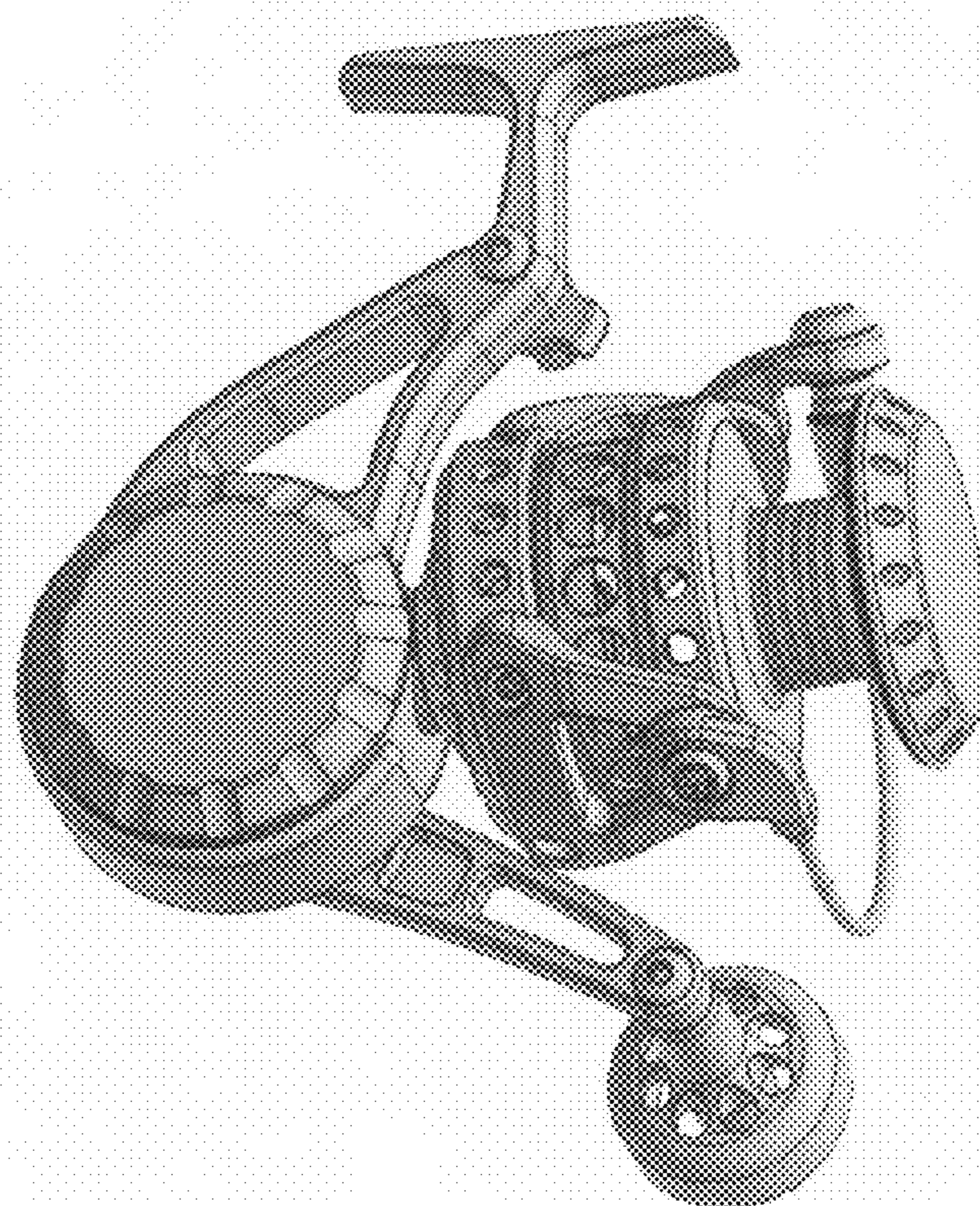


FIG. 11

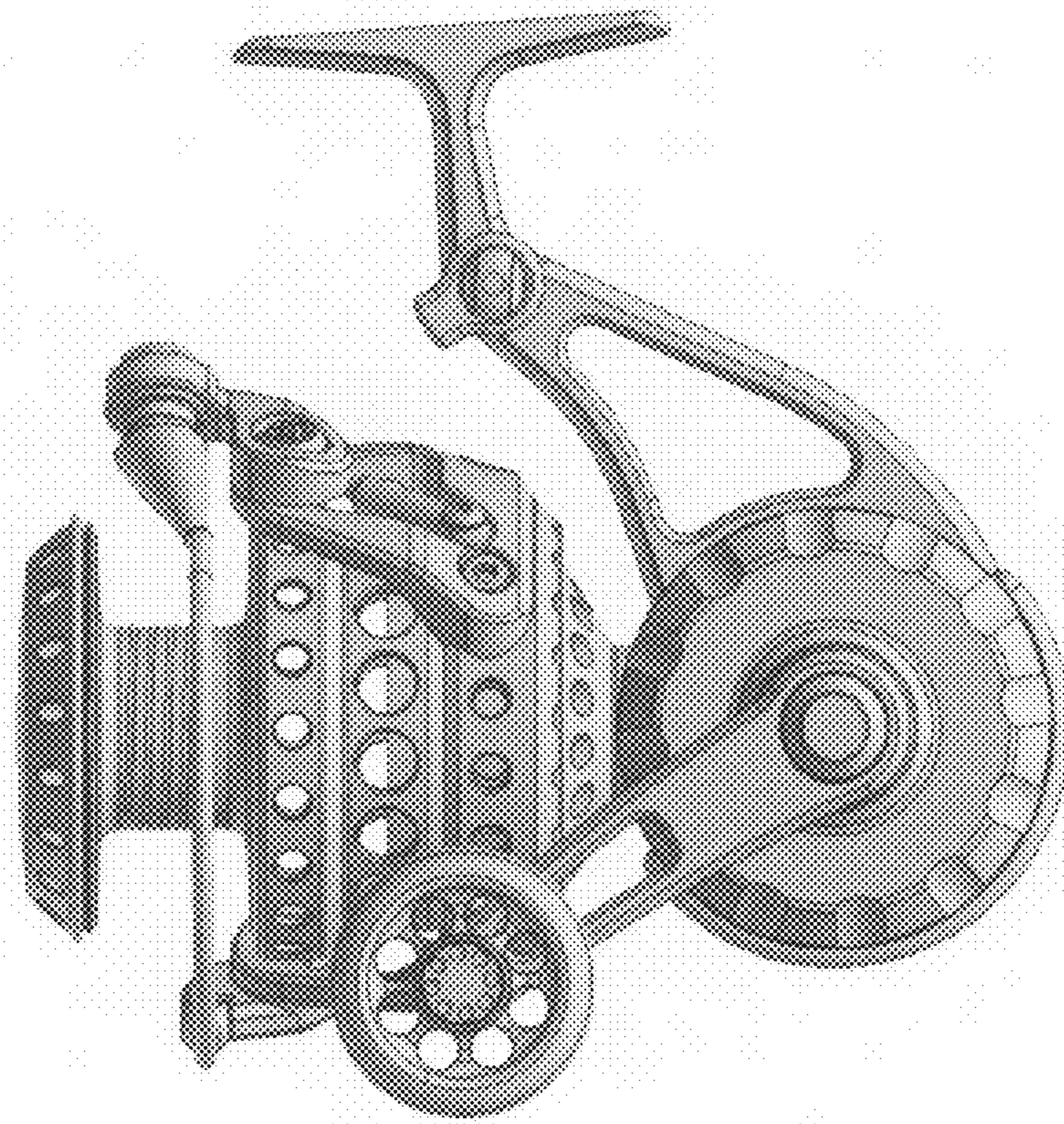


FIG. 12

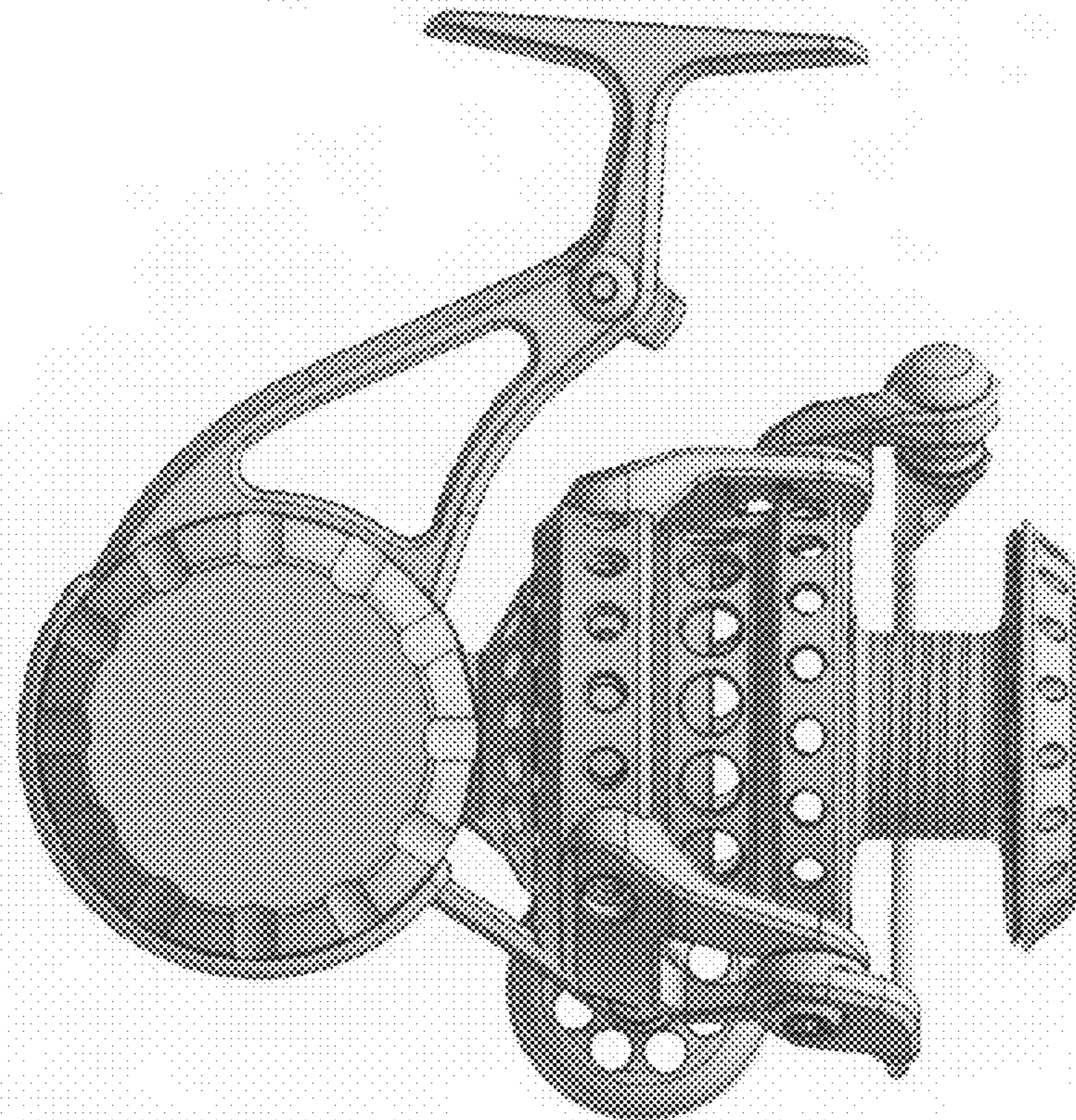


FIG. 13

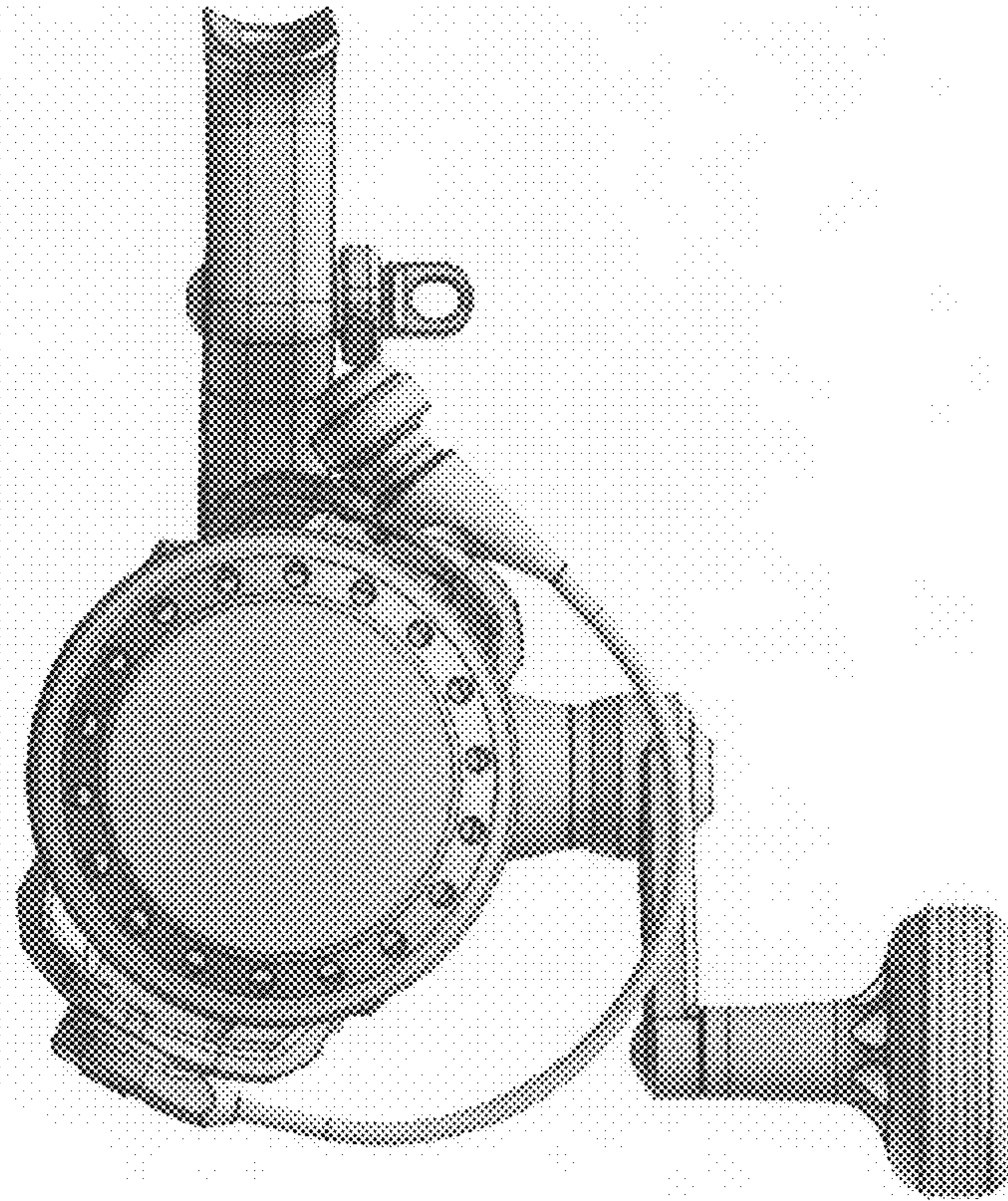


FIG. 14

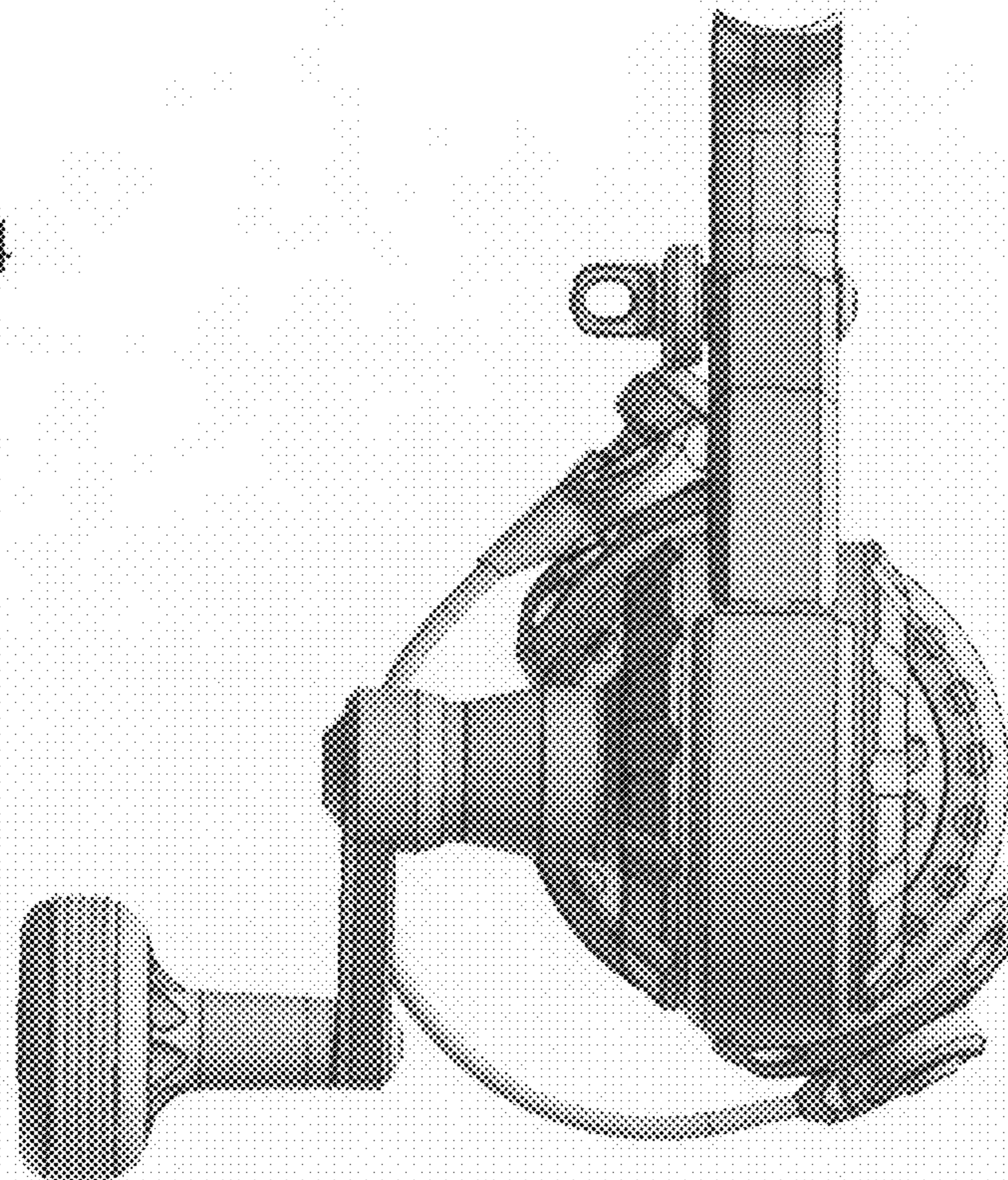


FIG. 15

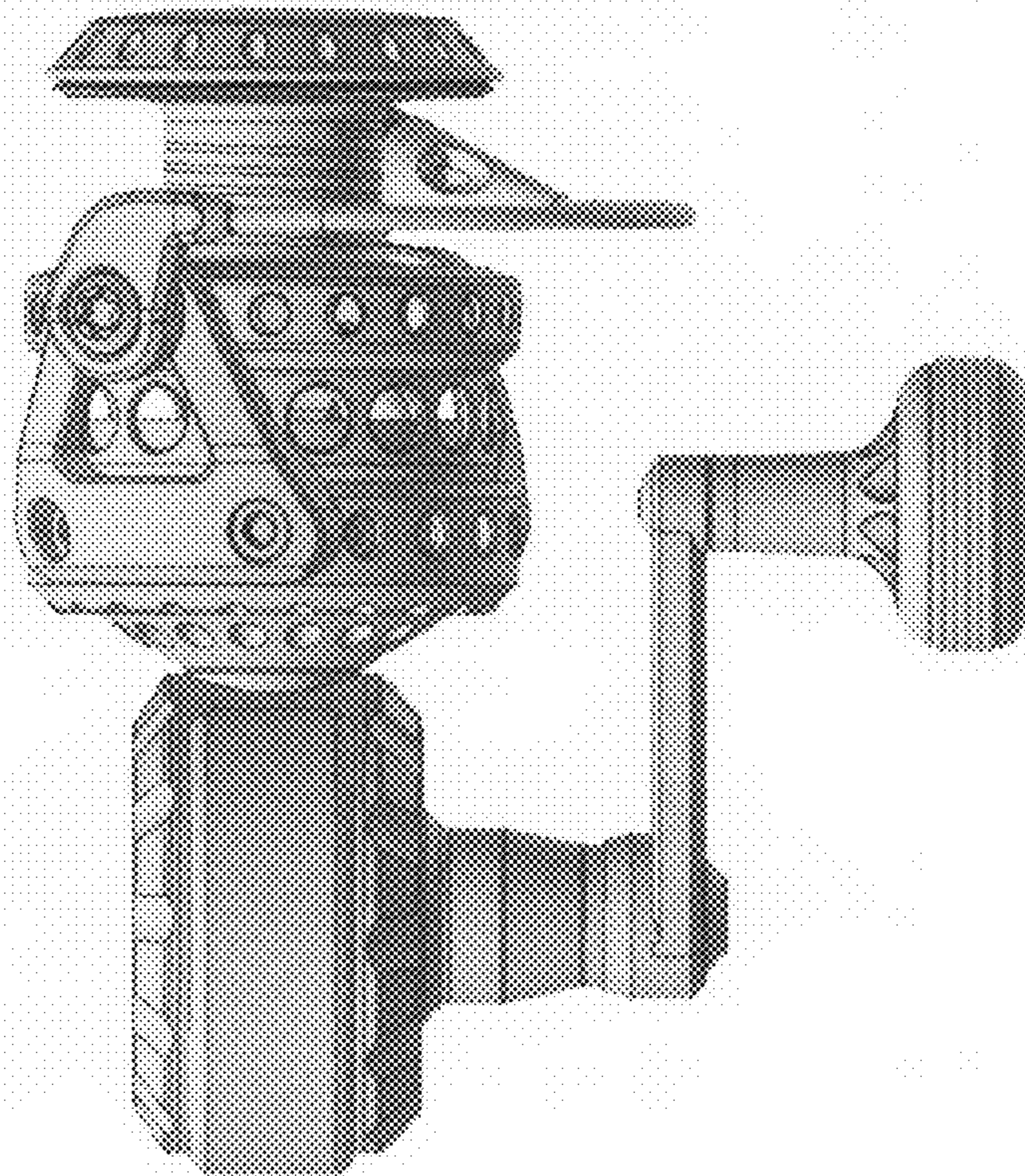


FIG. 16

