



US00D582504S

(12) **United States Design Patent**
Wiesener et al.

(10) **Patent No.:** **US D582,504 S**
(45) **Date of Patent:** **** Dec. 9, 2008**

(54) **BAIT STATION FOR RODENTS, IN PARTICULAR FOR MICE**

(75) Inventors: **Bernd Wiesener**, Berlin (DE); **Mark Wiesener**, Berlin (DE)

(73) Assignee: **UrbanGuard GmbH**, Berlin (DE)

(**) Term: **14 Years**

(21) Appl. No.: **29/298,031**

(22) Filed: **Nov. 27, 2007**

(30) **Foreign Application Priority Data**

Jun. 4, 2007 (EM) 000733886

(51) **LOC (8) Cl.** **22-06**

(52) **U.S. Cl.** **D22/119**

(58) **Field of Classification Search** D22/119-124;
43/58, 60-61, 65-66, 69, 70, 131, 121, 124;
368/98

See application file for complete search history.

(56) **References Cited**

U.S. PATENT DOCUMENTS

1,971,640 A * 8/1934 Cameron 43/121
4,132,026 A * 1/1979 Dodds 43/131

D262,732 S * 1/1982 Warren et al. D22/119
4,413,439 A * 11/1983 Lindley 43/61
5,979,108 A * 11/1999 Adams 43/121
D423,631 S * 4/2000 Shultz D22/119
D518,138 S * 3/2006 Burke D22/119

* cited by examiner

Primary Examiner—Catherine R Oliver

(74) *Attorney, Agent, or Firm*—Notaro & Michalos P.C.

(57) **CLAIM**

The ornamental design for a bait station for rodents, in particular for mice, as shown and described.

DESCRIPTION

FIG. 1 is a top plan view of a bait station for rodents, in particular for mice showing our new design therefore;

FIG. 2 is a bottom perspective view thereof;

FIG. 3 is a front elevational view thereof;

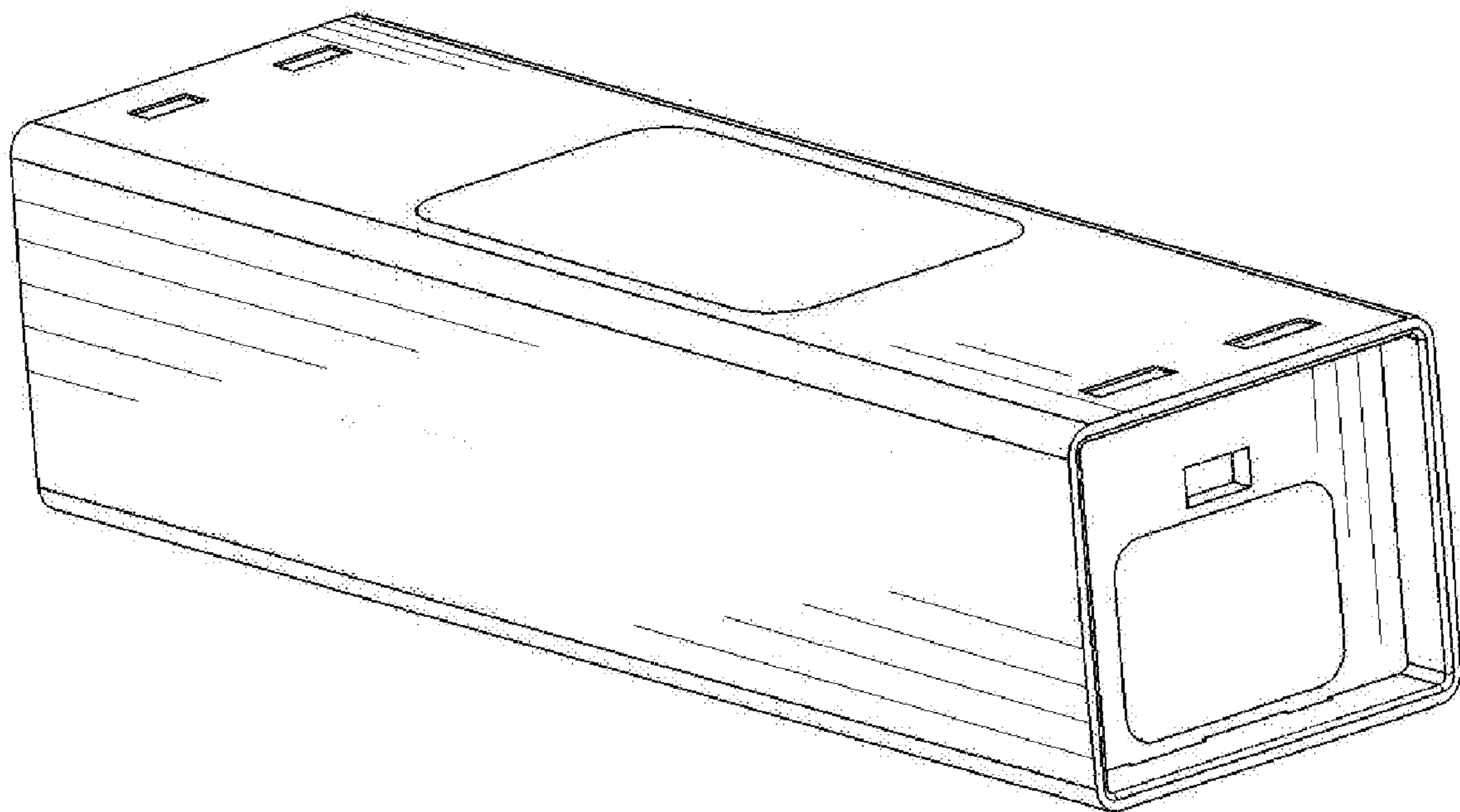
FIG. 4 is a rear elevational view;

FIG. 5 is a side elevational view thereof the opposite side being identical;

FIG. 6 is a top, front perspective view thereof; and,

FIG. 7 is a bottom, rear perspective view thereof.

1 Claim, 7 Drawing Sheets



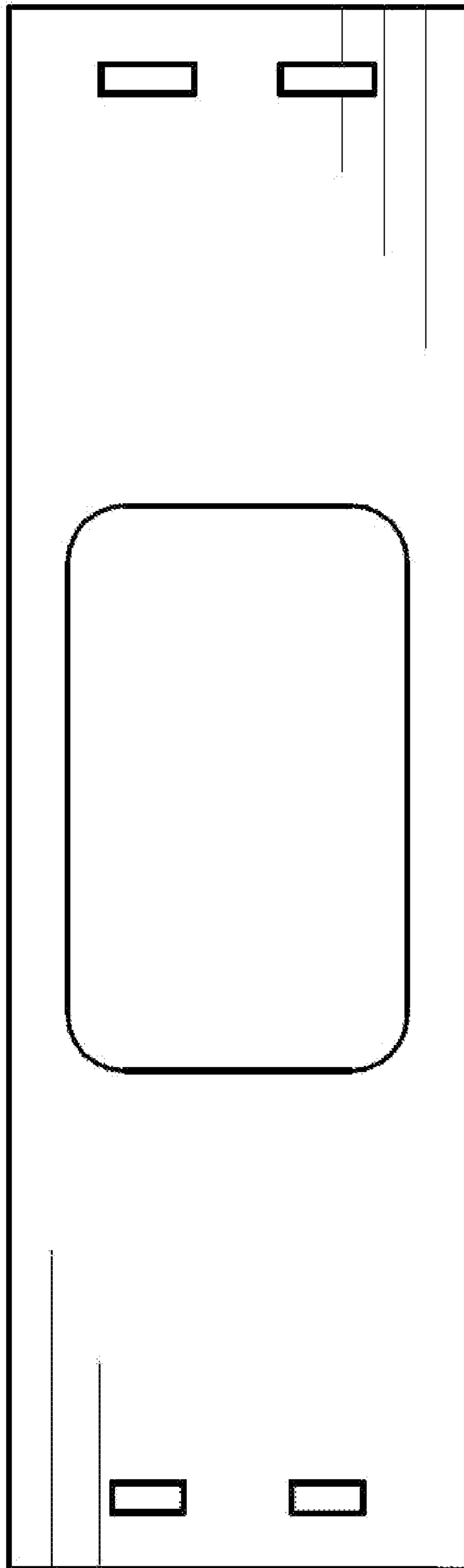


Fig. 1

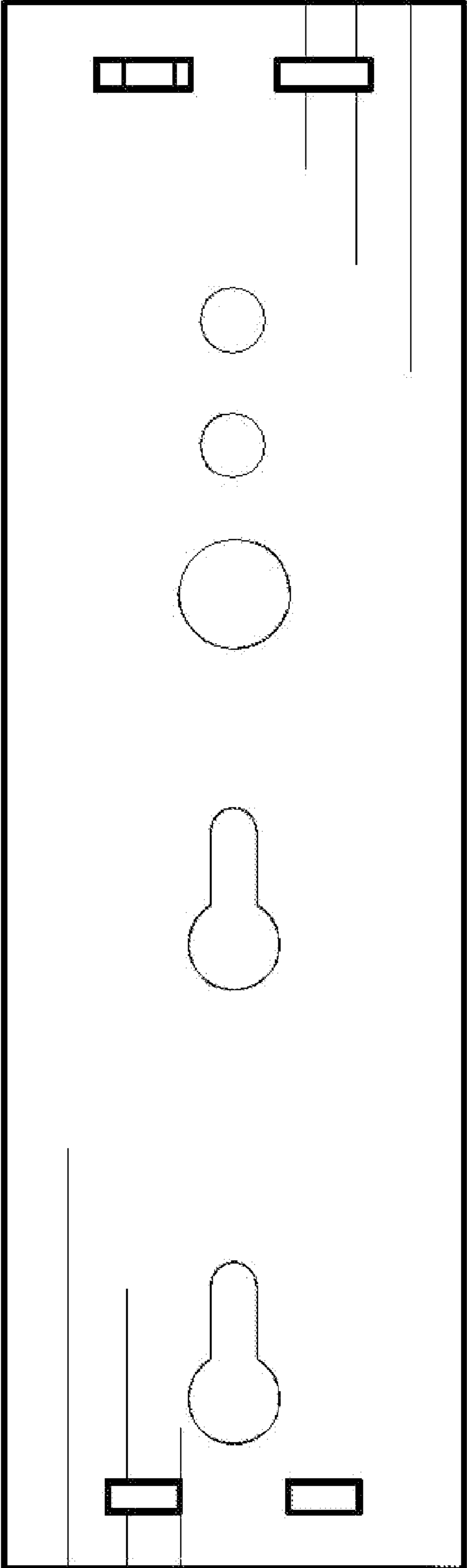


Fig. 2

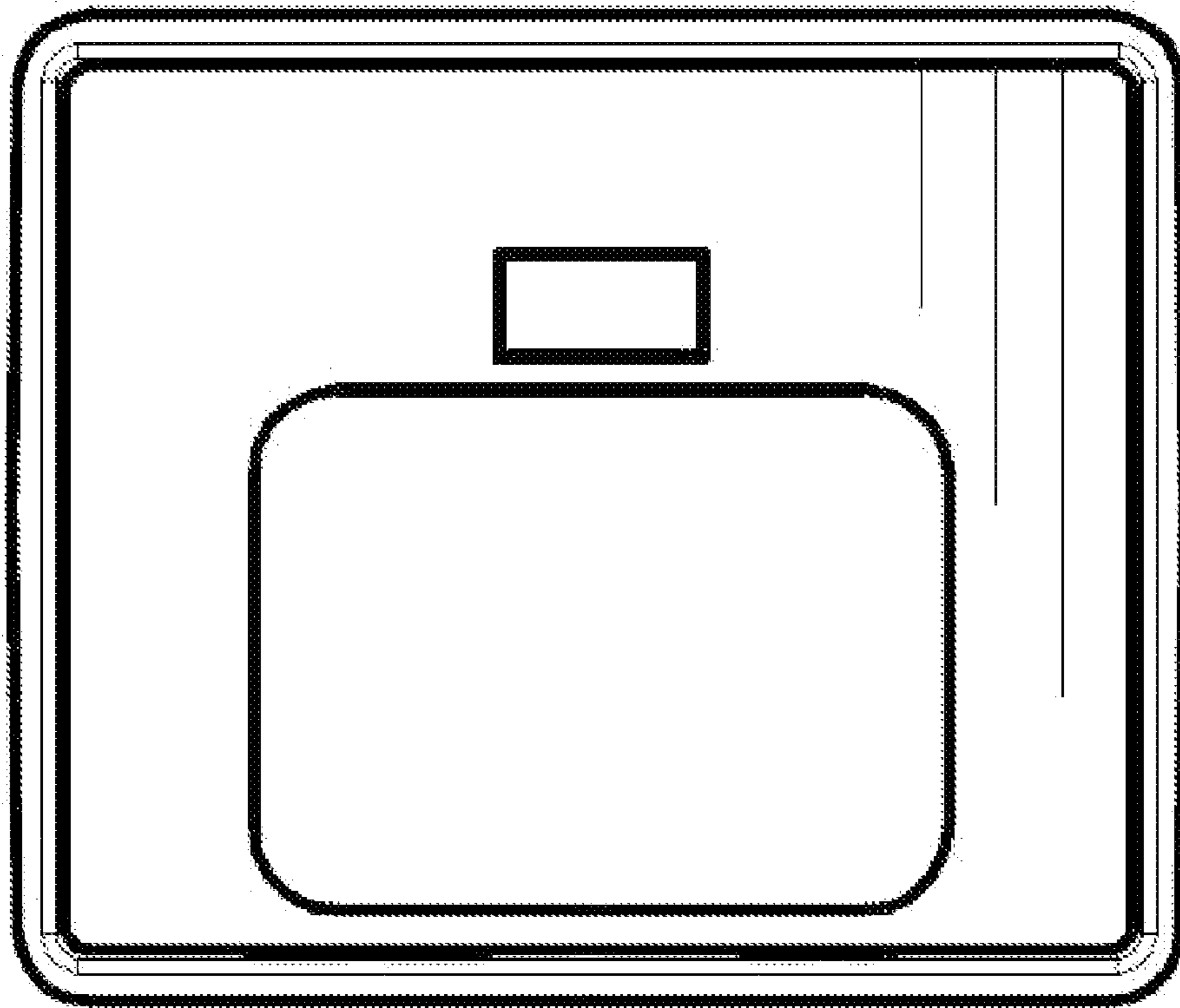


Fig. 3

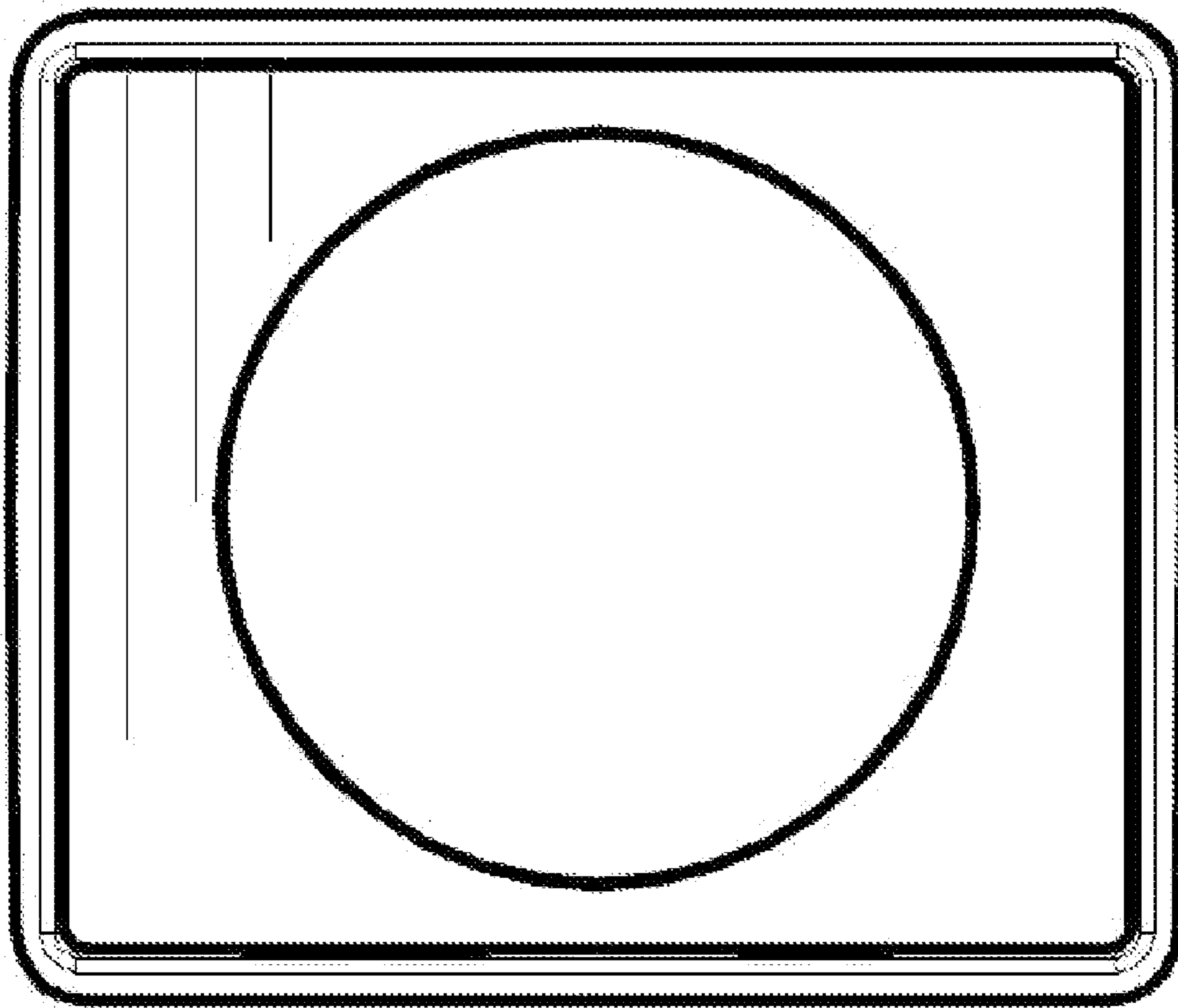


Fig. 4

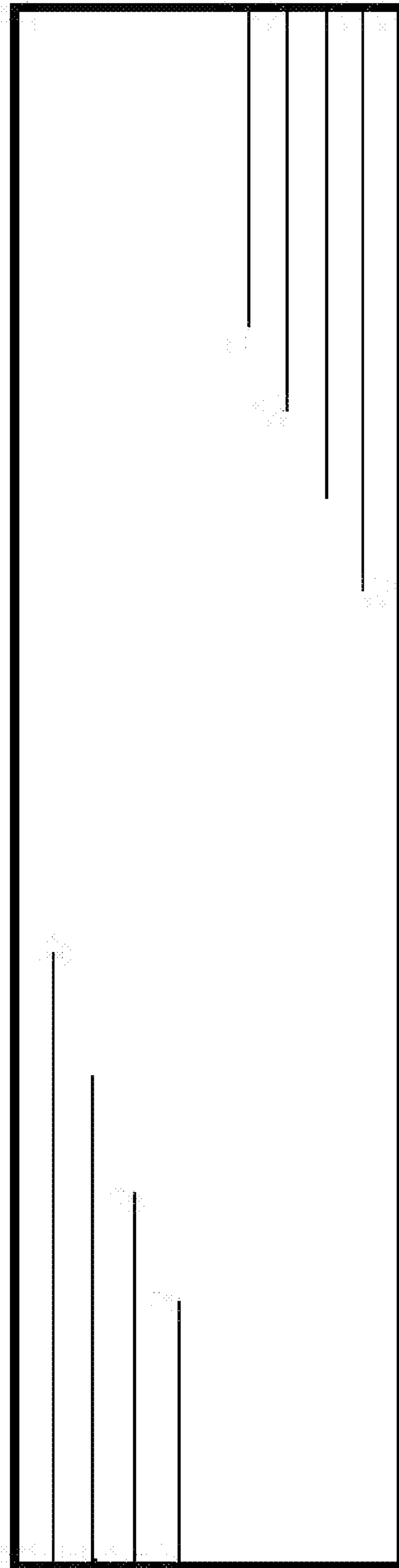


Fig. 5

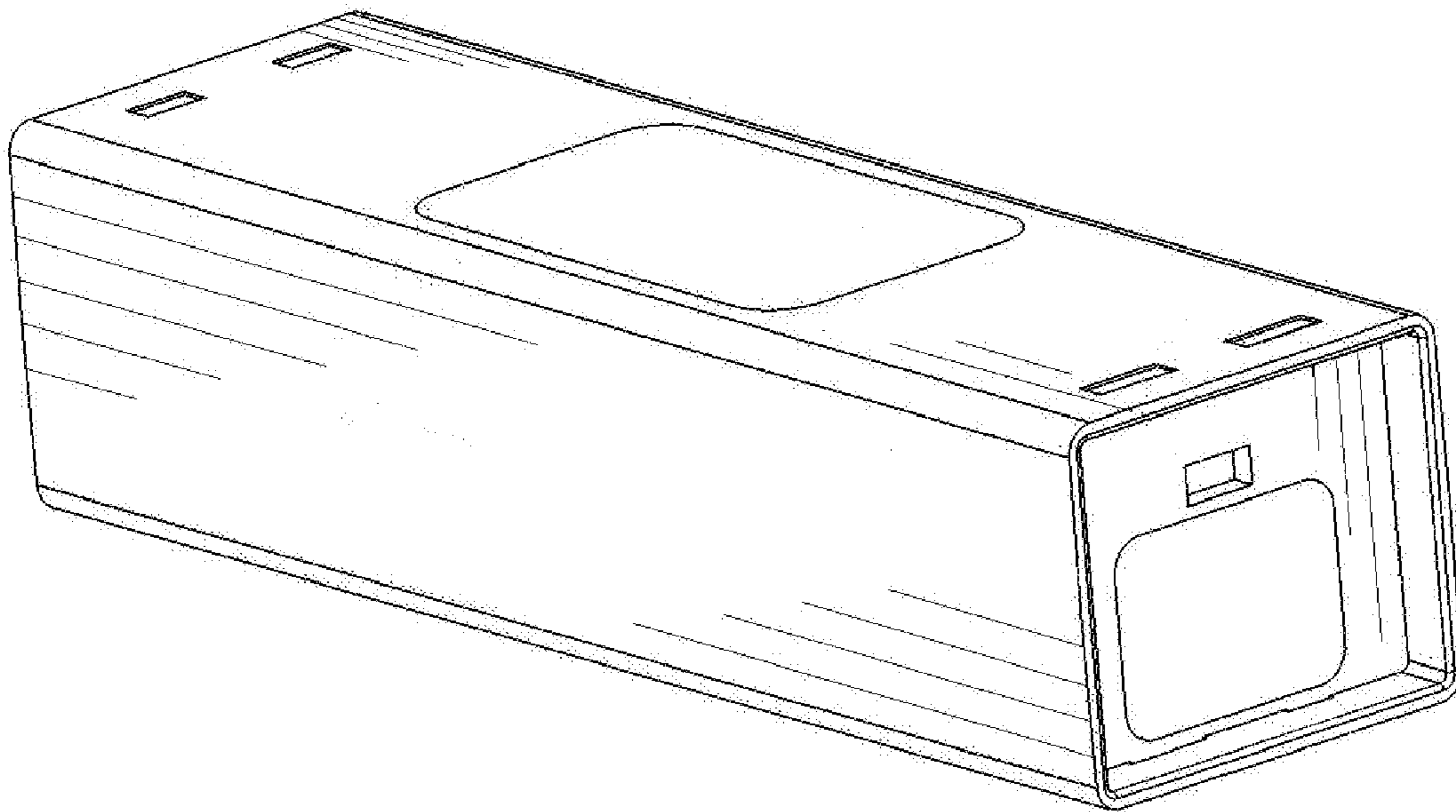


Fig. 6

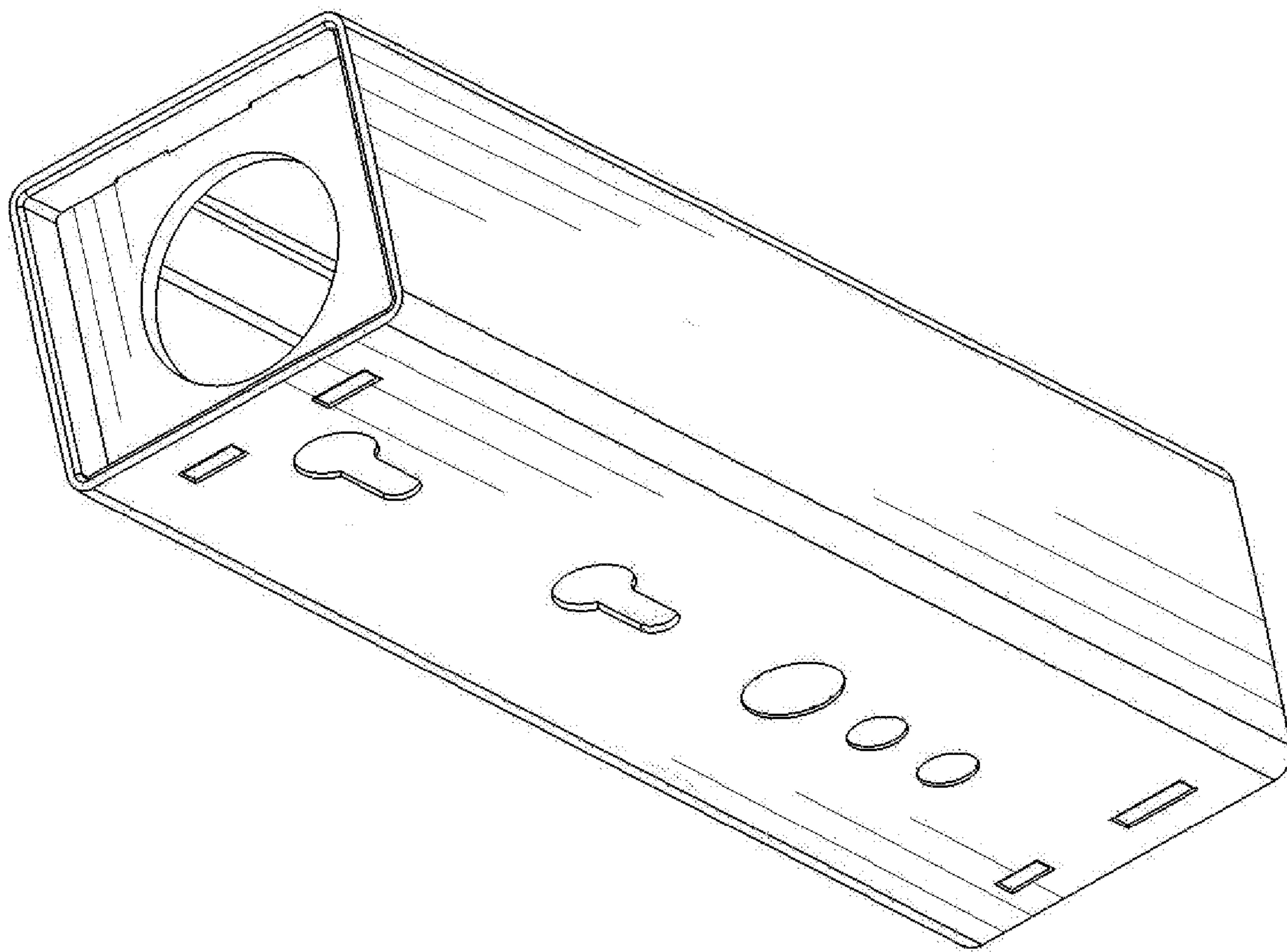


Fig. 7