



US00D582503S

(12) **United States Design Patent**
Brittingham

(10) **Patent No.:** **US D582,503 S**

(45) **Date of Patent:** **** Dec. 9, 2008**

(54) **SILENCER TUBE**

(76) Inventor: **Kevin Tyson Brittingham**, 1434
Hillcrest Rd., Norcross, GA (US) 30093

(**) Term: **14 Years**

(21) Appl. No.: **29/301,155**

(22) Filed: **Feb. 13, 2008**

(51) **LOC (8) Cl.** **22-01**

(52) **U.S. Cl.** **D22/108**

(58) **Field of Classification Search** D22/108,
D22/199; 89/14.3, 14.4; 42/79, 90, 1.06;
181/223; 124/92; D9/711, 501; D28/88;
D19/35

See application file for complete search history.

(56) **References Cited**

U.S. PATENT DOCUMENTS

4,291,610	A *	9/1981	Waiser	89/14.4
4,584,924	A *	4/1986	Taguchi	89/14.4
4,974,489	A *	12/1990	Fishbaugh	89/14.4
D415,813	S *	10/1999	O'Quinn et al.	D22/108

D435,884	S *	1/2001	Dehaan	D21/572
6,374,718	B1 *	4/2002	Rescigno et al.	89/14.4
6,425,310	B1 *	7/2002	Champion	89/14.3
6,820,530	B2 *	11/2004	Vais	89/14.3
2006/0060076	A1 *	3/2006	Dueck et al.	89/14.4
2007/0107590	A1 *	5/2007	Silvers	89/14.4
2007/0266844	A1 *	11/2007	Dueck	89/14.4

* cited by examiner

Primary Examiner—Cathron C Brooks

Assistant Examiner—Melanie Levy

(57) **CLAIM**

The ornamental design for a silencer tube, as shown and described.

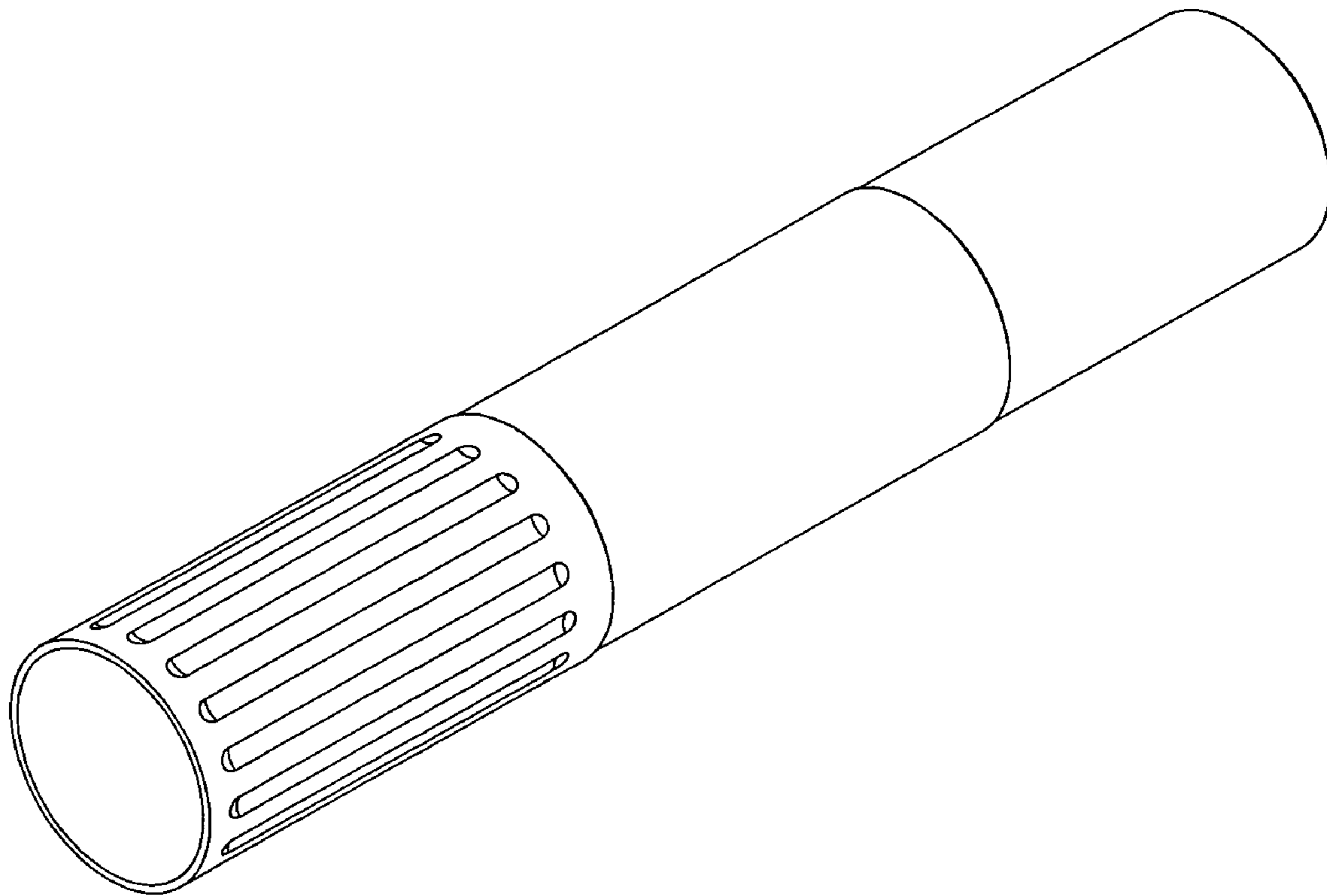
DESCRIPTION

FIG. 1 is a front and side perspective view of a silencer tube showing my new design;

FIG. 2 is a side elevational view thereof; and,

FIG. 3 is an enlarged cross sectional view thereof taken along the lines 3—3.

1 Claim, 2 Drawing Sheets



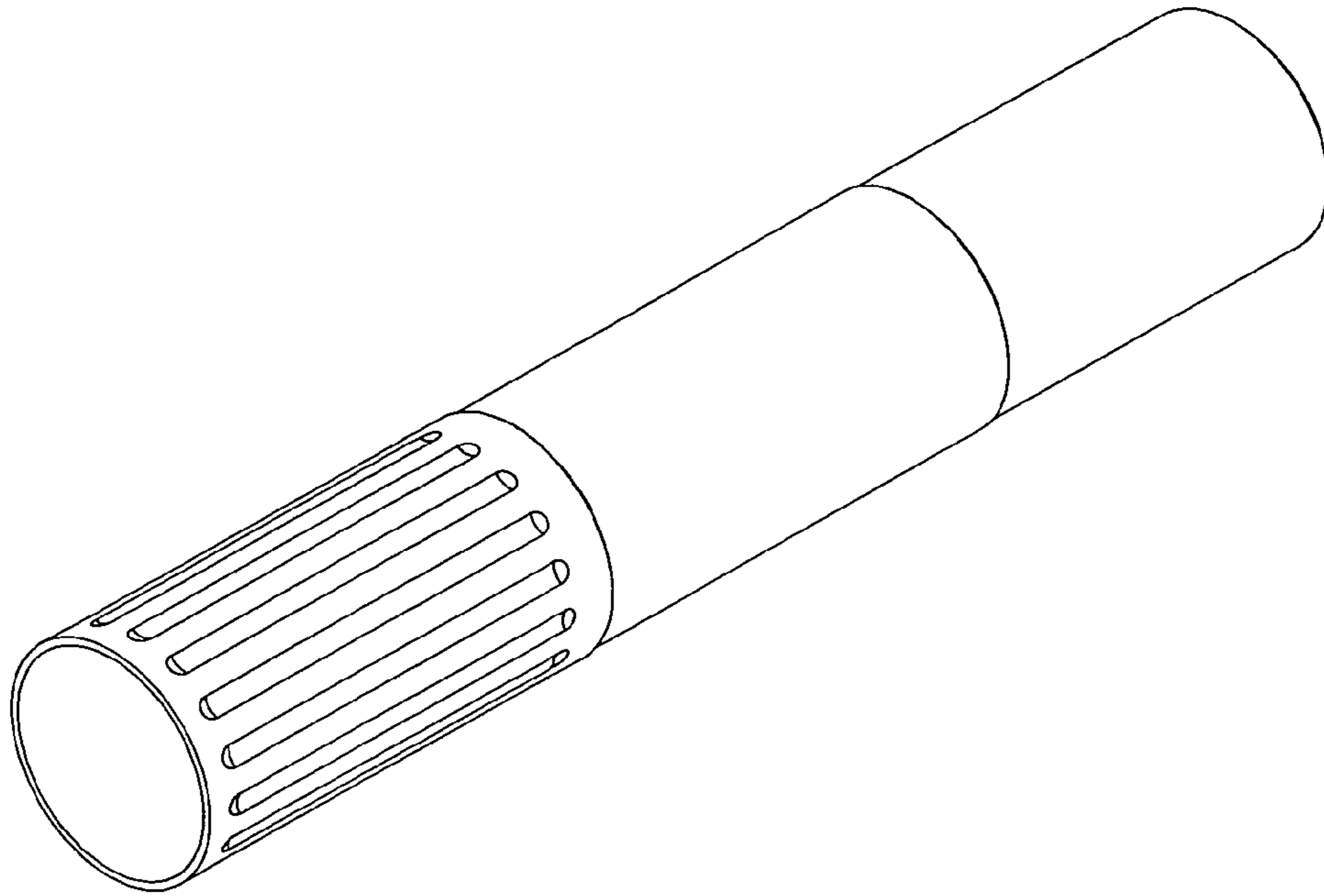


FIGURE 1

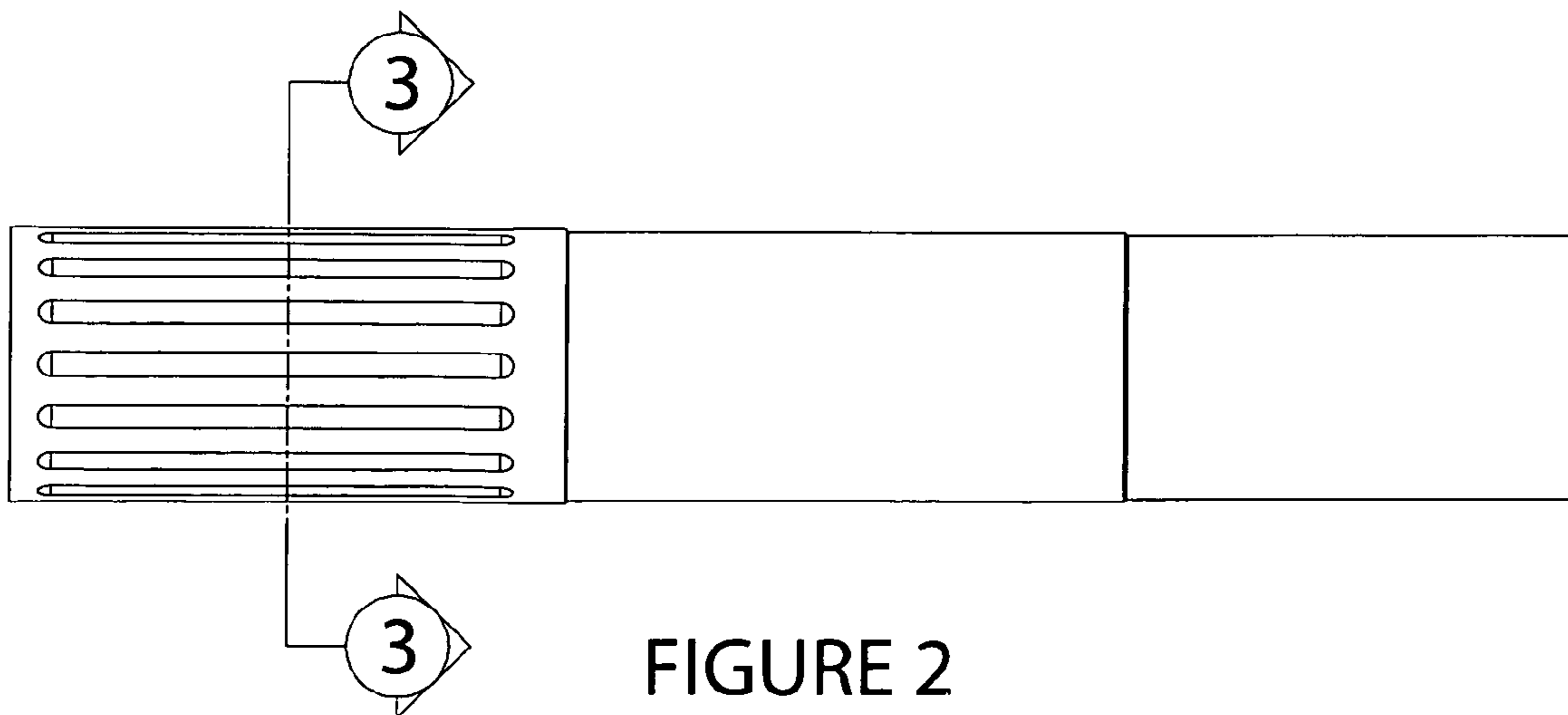


FIGURE 2

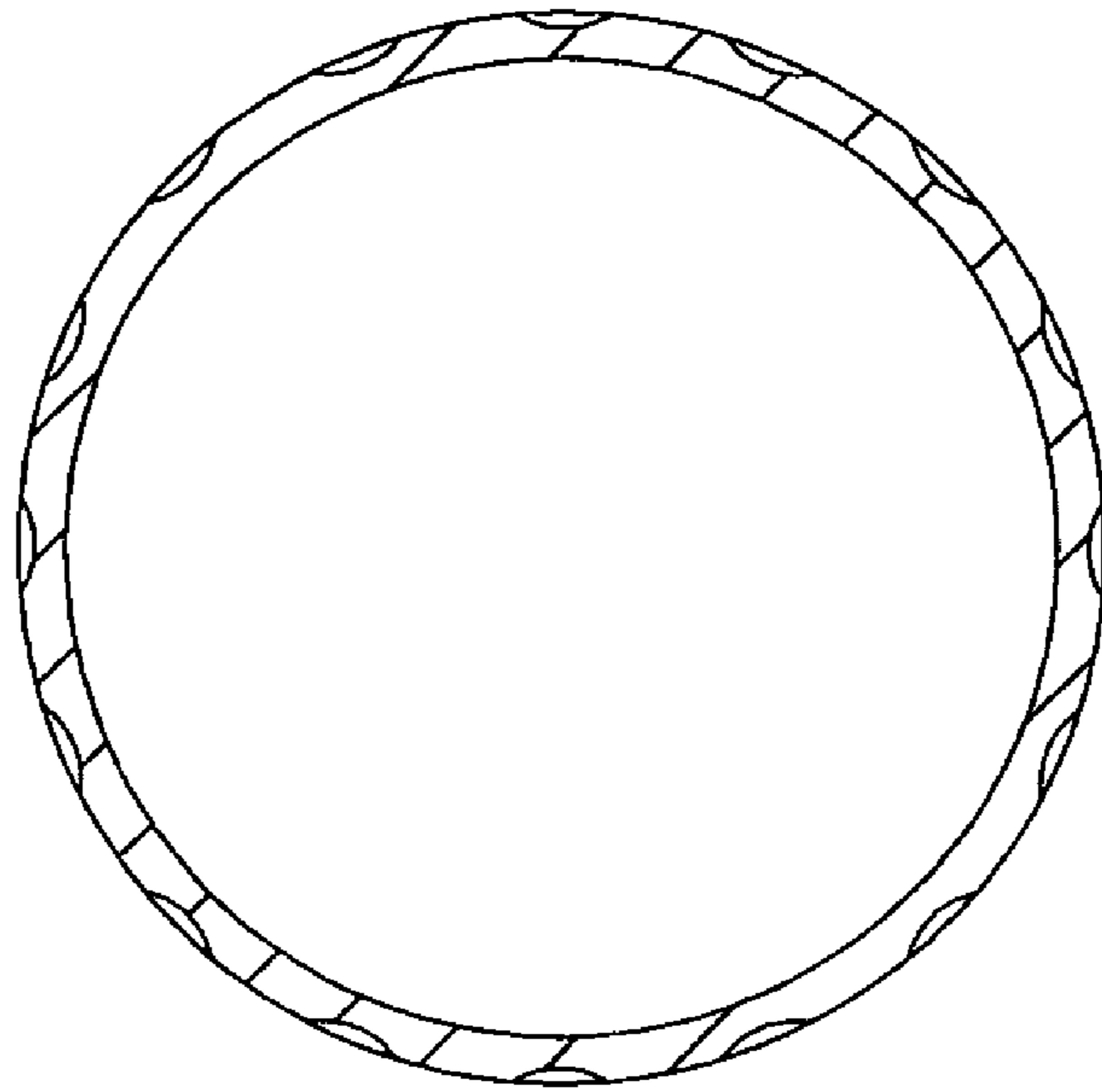


FIGURE 3