



US00D582502S

(12) **United States Design Patent**  
**Brittingham**

(10) **Patent No.:** **US D582,502 S**

(45) **Date of Patent:** **\*\* Dec. 9, 2008**

(54) **TUBE FOR A RIFLE SILENCER**

(76) Inventor: **Kevin Tyson Brittingham**, 1434  
Hillcrest Rd., Norcross, GA (US) 30093

(\*\*) Term: **14 Years**

(21) Appl. No.: **29/272,281**

(22) Filed: **Feb. 5, 2007**

(51) **LOC (8) Cl.** ..... **22-01**

(52) **U.S. Cl.** ..... **D22/108**

(58) **Field of Classification Search** ..... D22/108,  
D22/199; 89/14.3, 14.4; 42/79, 90, 1.06;  
181/223; 124/92; D9/711, 501; D28/88;  
D19/35

See application file for complete search history.

(56) **References Cited**

**U.S. PATENT DOCUMENTS**

D143,022	S	*	11/1945	Norman	.....	D28/88
4,291,610	A	*	9/1981	Waiser	.....	89/14.4
4,584,924	A	*	4/1986	Taguchi	.....	89/14.4
4,974,489	A	*	12/1990	Fishbaugh	.....	89/14.4
D415,813	S	*	10/1999	O'Quinn et al.	.....	D22/108

D435,884	S	*	1/2001	Dehaan	.....	D21/572
6,374,718	B1	*	4/2002	Rescigno et al.	.....	89/14.4
6,425,310	B1	*	7/2002	Champion	.....	89/14.3
6,820,530	B2	*	11/2004	Vais	.....	89/14.3
2006/0060076	A1	*	3/2006	Dueck et al.	.....	89/14.4
2007/0107590	A1	*	5/2007	Silvers	.....	89/14.4
2007/0266844	A1	*	11/2007	Dueck	.....	89/14.4

\* cited by examiner

*Primary Examiner*—Cathron C Brooks

*Assistant Examiner*—Melanie Levy

(57) **CLAIM**

The ornamental design for a tube for a rifle silencer, as shown and described.

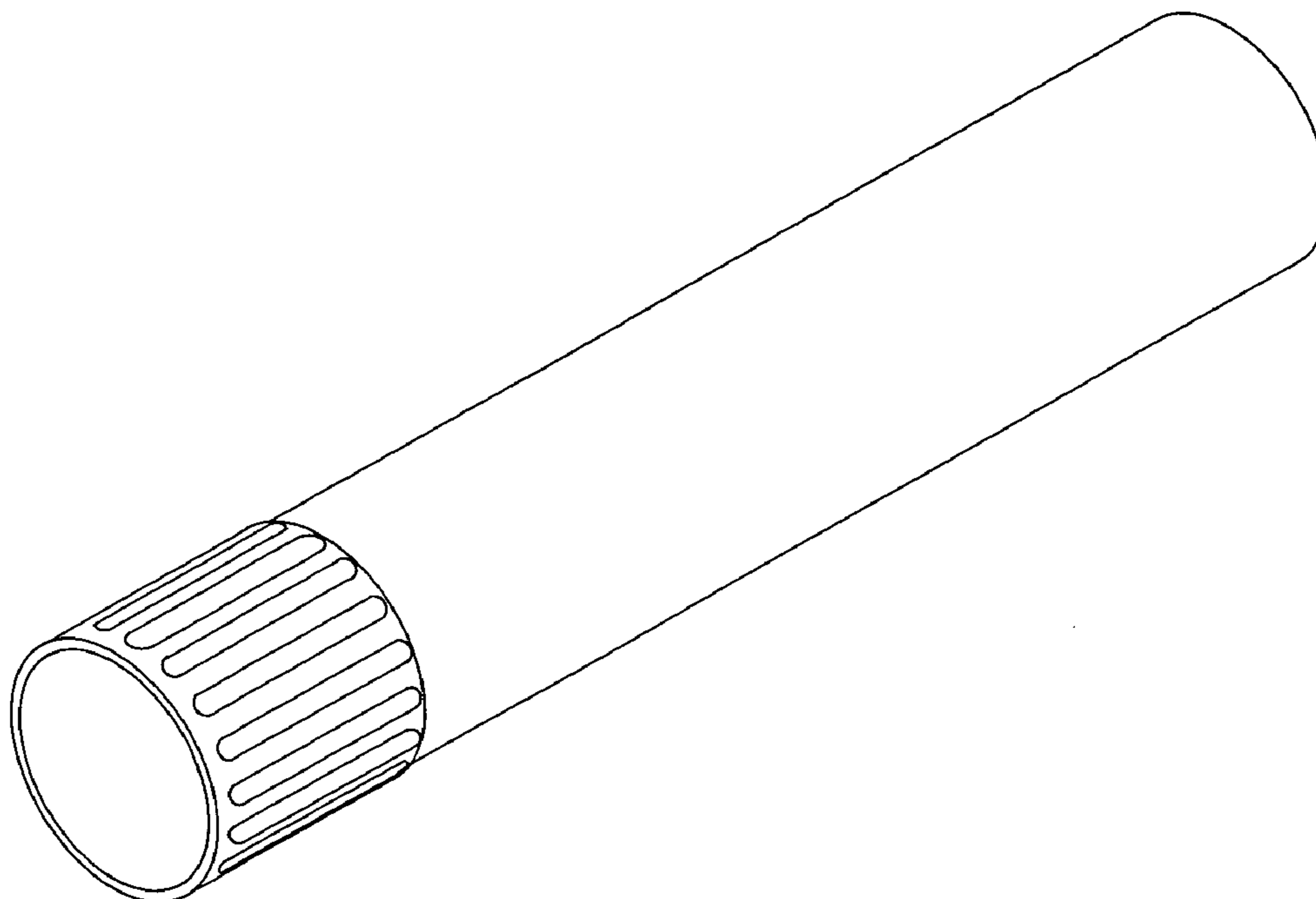
**DESCRIPTION**

FIG. 1 is a front and side perspective view of a tube for a rifle silencer showing my new design;

FIG. 2 is a side elevational view thereof; and,

FIG. 3 is an enlarged cross sectional view thereof taken along the lines 3—3.

**1 Claim, 2 Drawing Sheets**



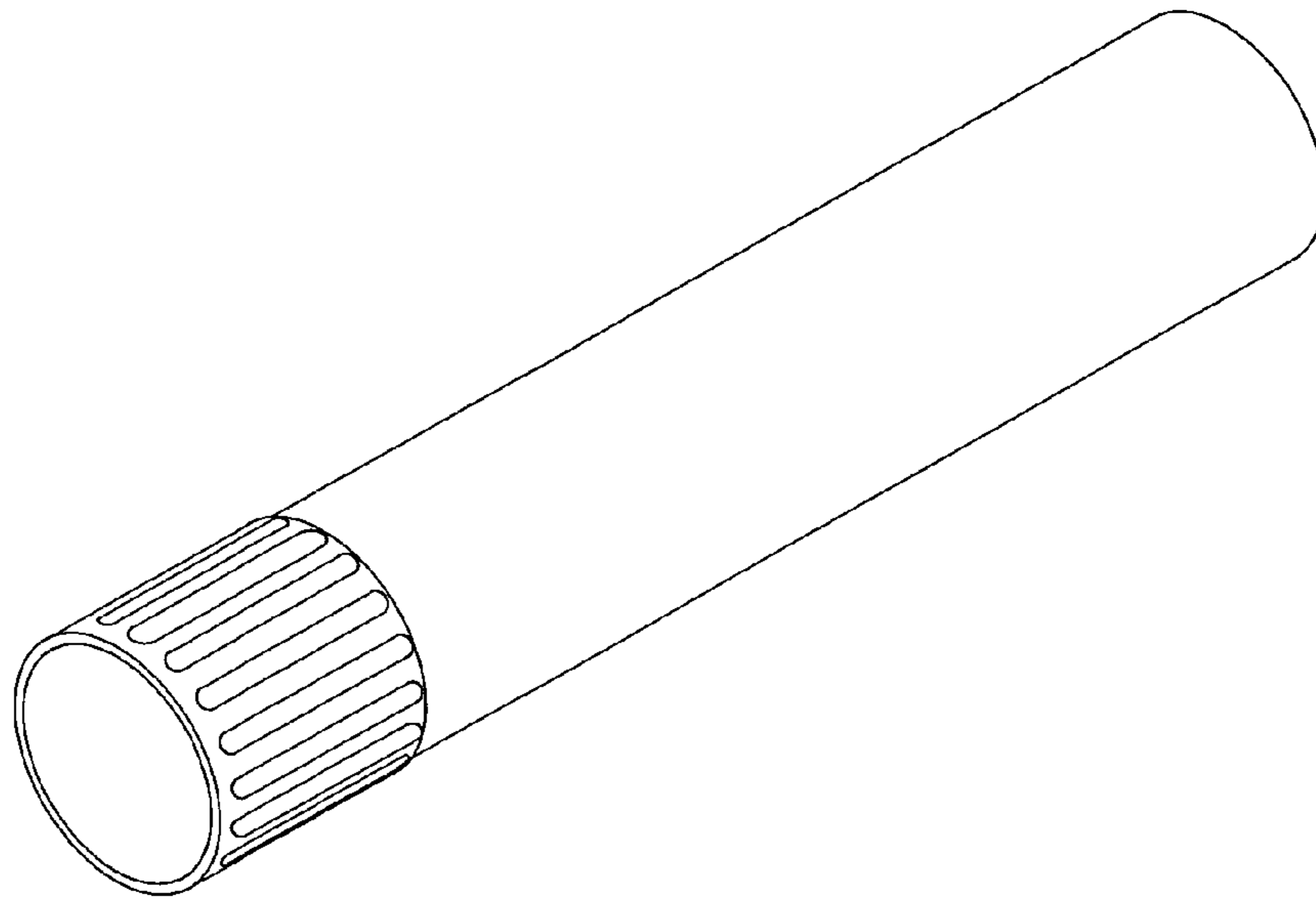


FIGURE 1

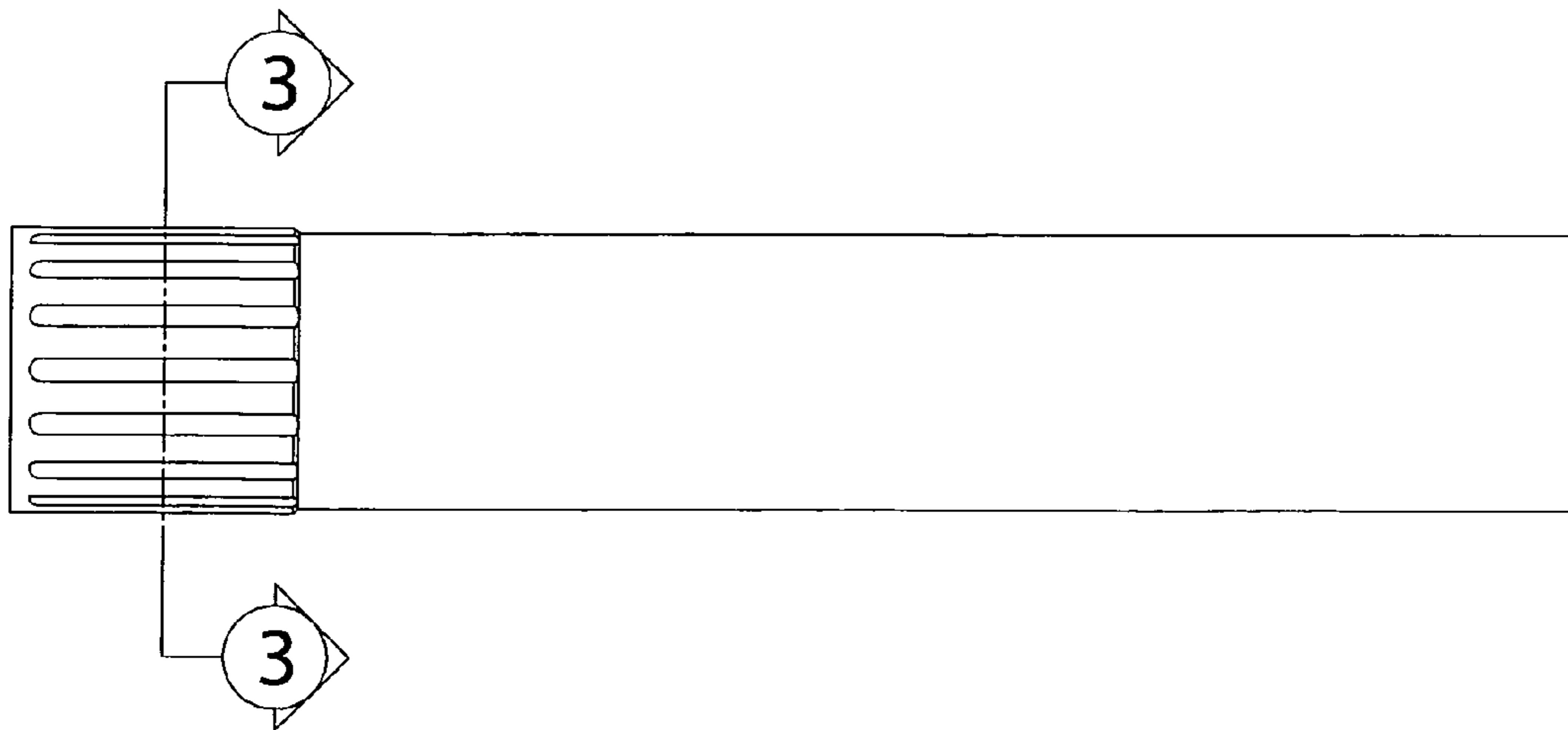


FIGURE 2

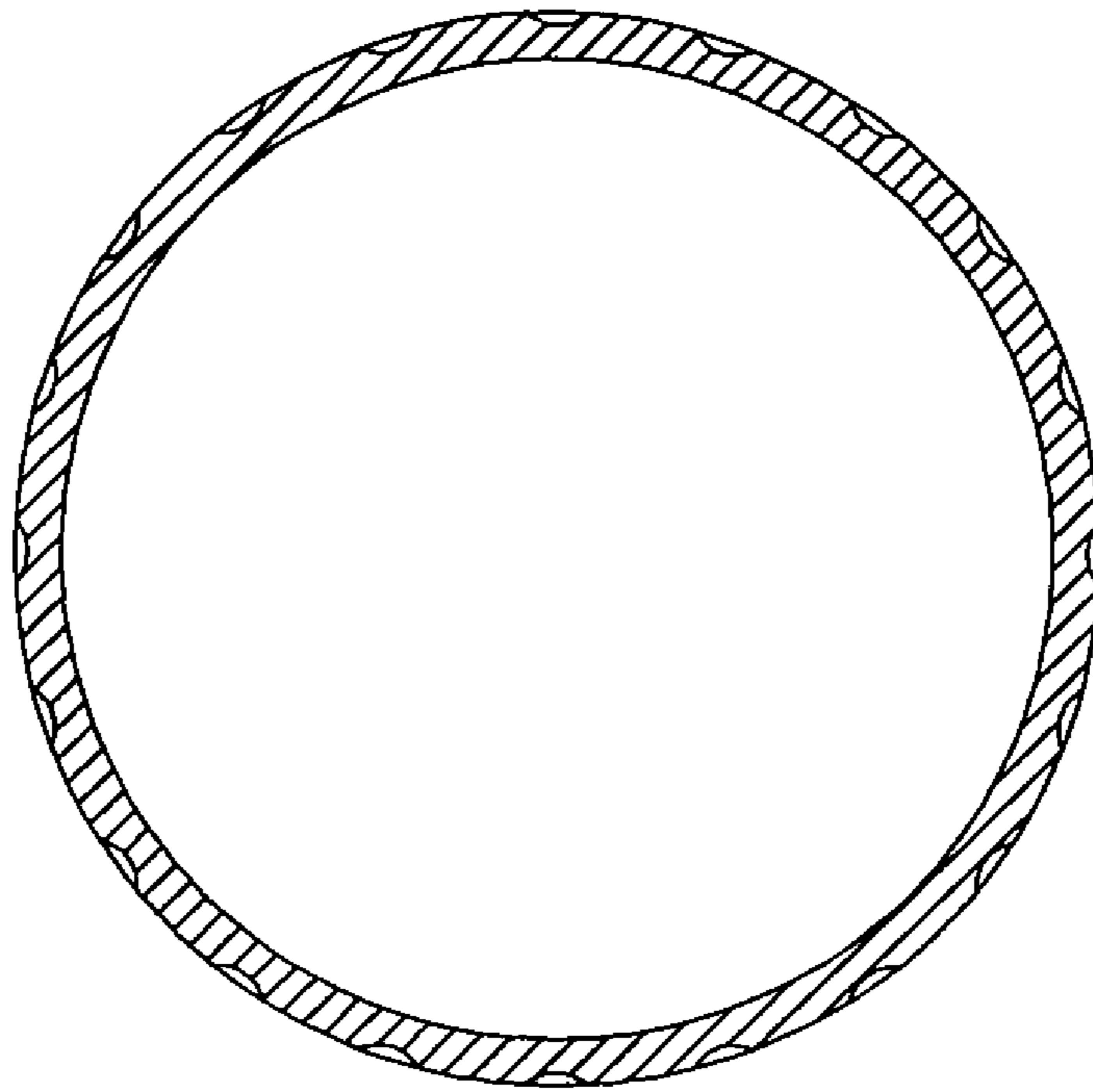


FIGURE 3