



US00D582498S

(12) **United States Design Patent**  
**Austin**

(10) **Patent No.:** **US D582,498 S**

(45) **Date of Patent:** **\*\* Dec. 9, 2008**

(54) **GOLF PUTTING AID**

(75) Inventor: **Robin Austin**, Weston, CT (US)

(73) Assignee: **NextStep Ventures LLC**, Ridgefield, CT (US)

(\*\*) Term: **14 Years**

(21) Appl. No.: **29/292,615**

(22) Filed: **Oct. 19, 2007**

(51) **LOC (8) Cl.** ..... **21-02**

(52) **U.S. Cl.** ..... **D21/791**

(58) **Field of Classification Search** ..... D21/789,  
D21/791, 794; 473/251-256, 219, 404, 285,  
473/407

See application file for complete search history.

(56) **References Cited**

**U.S. PATENT DOCUMENTS**

2,148,738	A *	2/1939	Feldtkeller	.....	429/184
D226,523	S *	3/1973	Thornton	.....	D25/36
D230,598	S *	3/1974	Goodrich	.....	D21/789
4,015,796	A *	4/1977	Higbee	.....	242/384.5
4,796,150	A *	1/1989	Dickey et al.	.....	361/119
5,105,262	A *	4/1992	Grider	.....	257/710

5,174,775	A *	12/1992	Birch	.....	439/188
5,326,096	A *	7/1994	H'Doubler	.....	473/404
D369,846	S *	5/1996	Jones	.....	D21/791
D423,621	S *	4/2000	Holtby	.....	D21/791
6,095,933	A	8/2000	Smith	.....	473/404
6,189,356	B1 *	2/2001	Simeone et al.	.....	72/53
D527,066	S *	8/2006	Greiner	.....	D21/791
D537,141	S *	2/2007	Peterson	.....	D21/791
D560,739	S *	1/2008	Bernatz	.....	D21/794

\* cited by examiner

*Primary Examiner*—Mitchell I Siegel

(74) *Attorney, Agent, or Firm*—Renner, Kenner, Greive, Bobak, Taylor & Weber

(57) **CLAIM**

The ornamental design for a golf putting aid, as shown and described.

**DESCRIPTION**

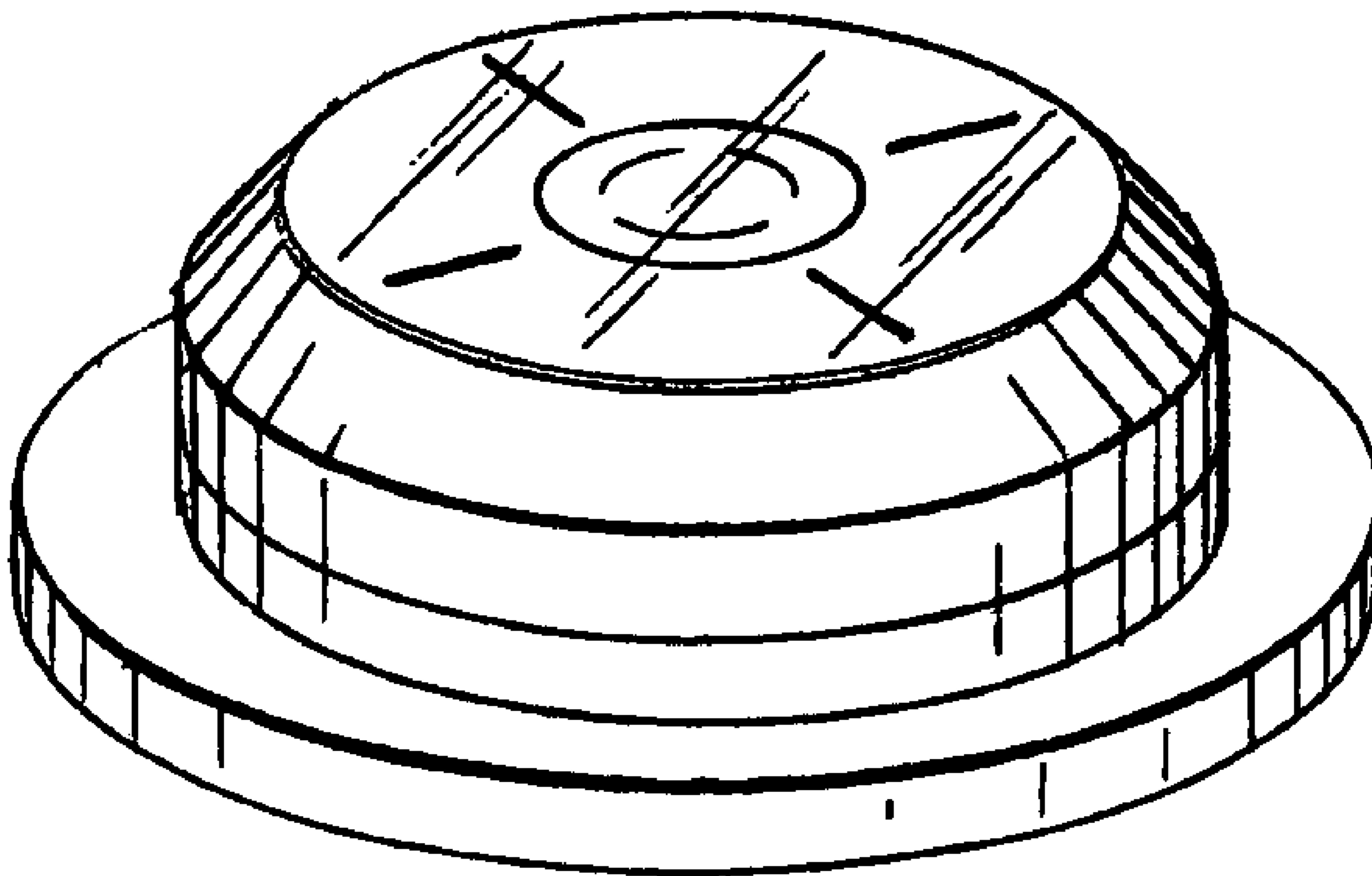
FIG. 1 is a perspective view of a golf putting aid showing my new design;

FIG. 2 is a top plan view thereof;

FIG. 3 is an elevational view thereof; and,

FIG. 4 is a bottom plan view thereof.

**1 Claim, 1 Drawing Sheet**



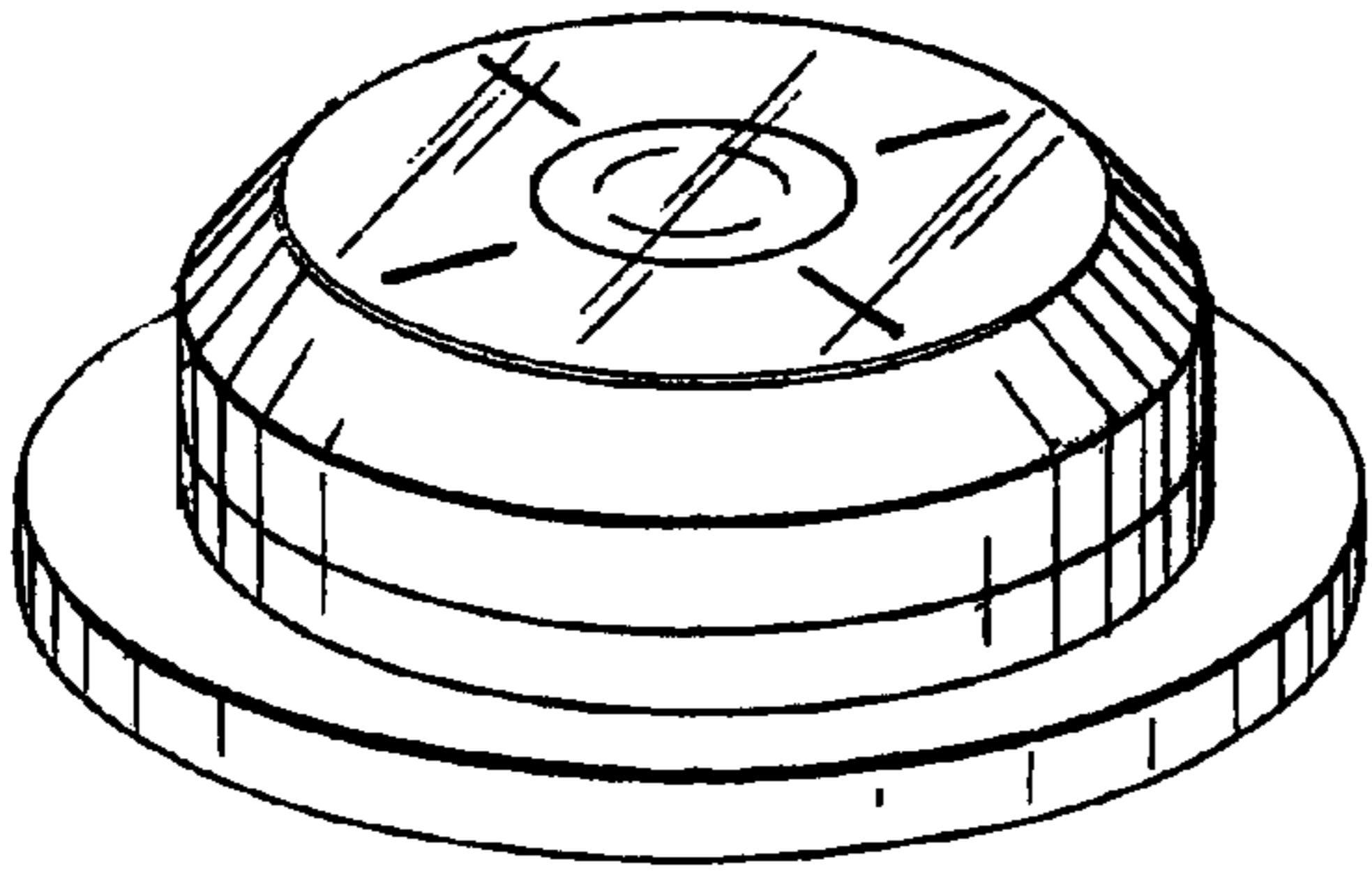


FIG. 1

FIG. 2

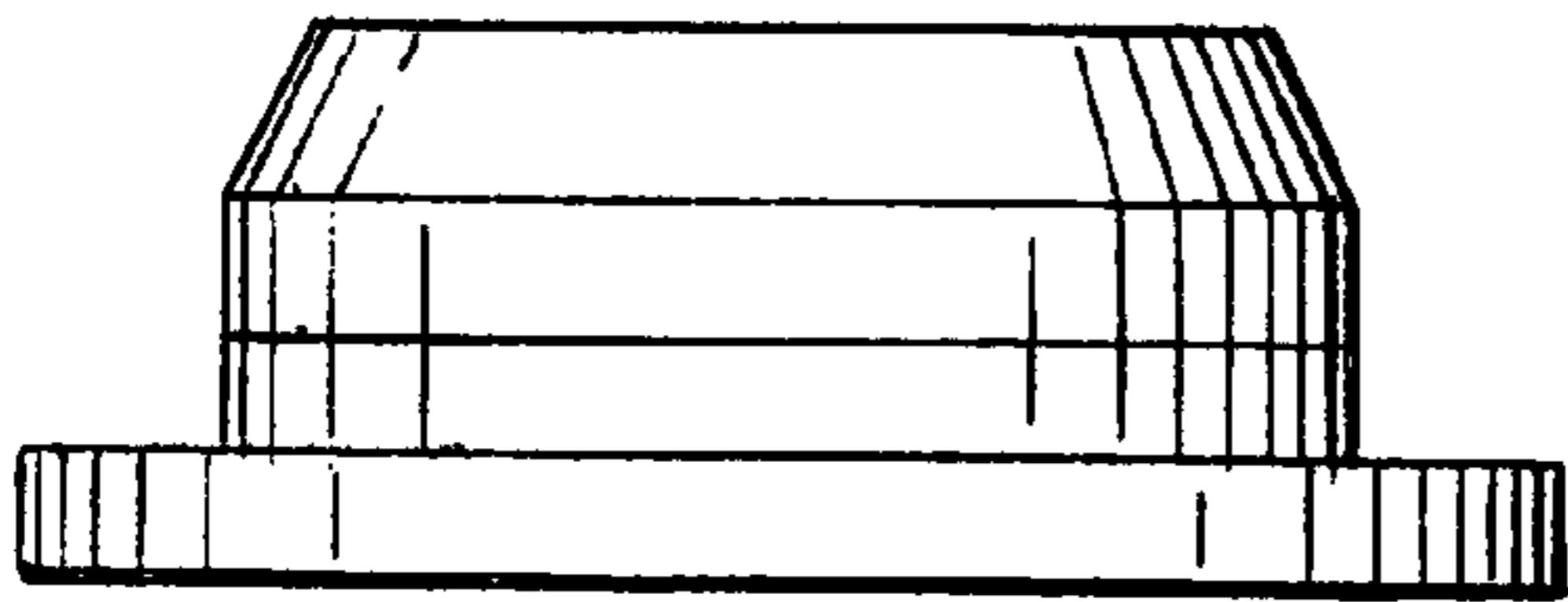
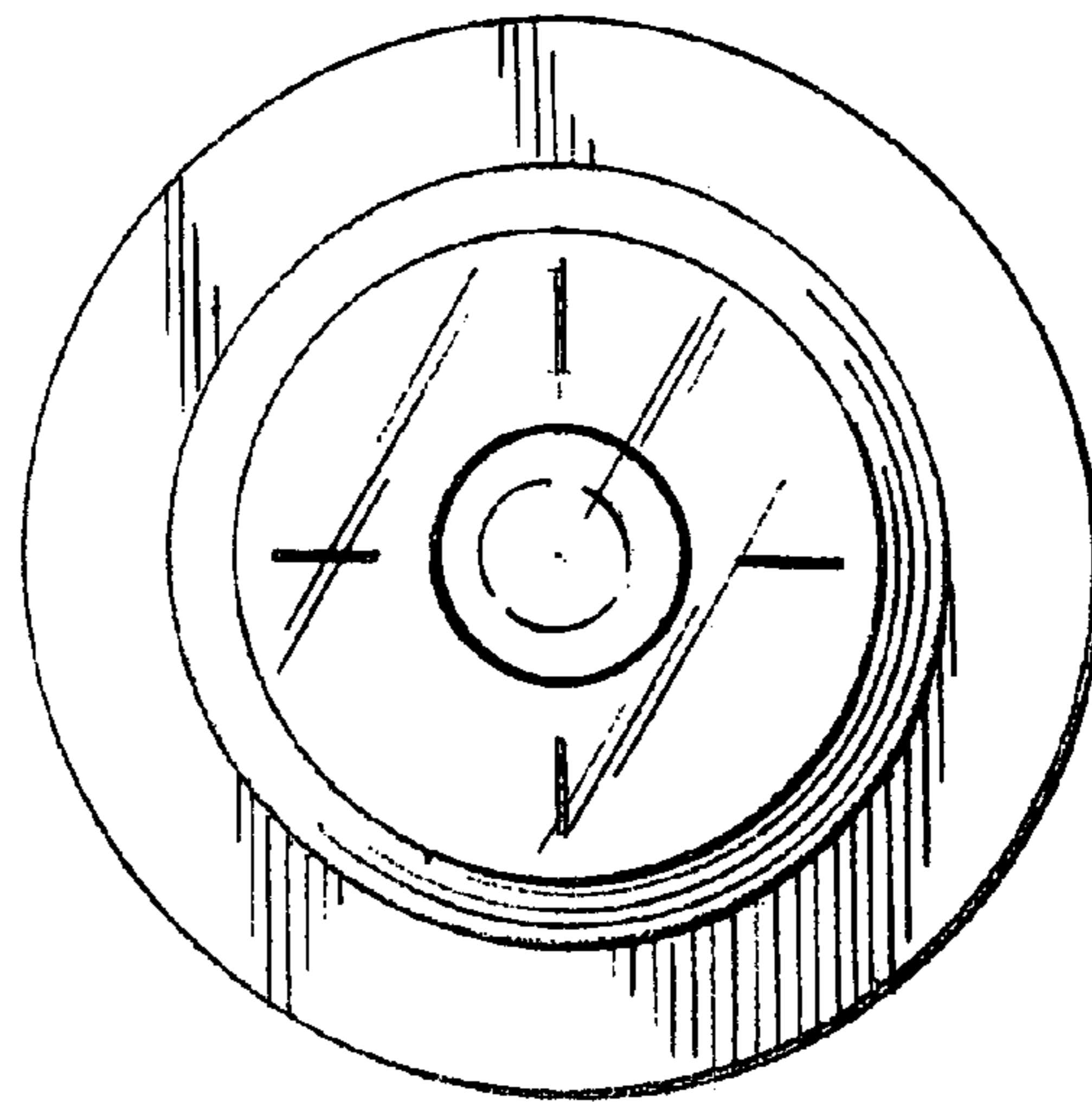


FIG. 3

FIG. 4

