



US00D582495S

(12) **United States Design Patent**
Lindblad

(10) **Patent No.:** **US D582,495 S**
(45) **Date of Patent:** **** Dec. 9, 2008**

(54) **BENCH**

(75) Inventor: **Hans P. Lindblad**, Alingsas (SE)

(73) Assignee: **Mastercare AB**, Stockholm (SE)

(**) Term: **14 Years**

(21) Appl. No.: **29/275,382**

(22) Filed: **Dec. 22, 2006**

(30) **Foreign Application Priority Data**

Jun. 27, 2006	(EM)	000550686-0001
Jun. 27, 2006	(EM)	000550686-0002
Jun. 27, 2006	(EM)	000550686-0003

(51) **LOC (8) Cl.** **21-02**

(52) **U.S. Cl.** **D21/690**

(58) **Field of Classification Search** D21/662,
D21/686, 688, 690; 482/142-145; D24/183
See application file for complete search history.

(56) **References Cited**

U.S. PATENT DOCUMENTS

3,570,479	A *	3/1971	Horn	482/145
D221,447	S *	8/1971	Brubaker	D21/688
4,232,662	A *	11/1980	Barber	482/144
D262,809	S *	1/1982	Rossow et al.	D21/690
4,341,378	A *	7/1982	Agyagos	482/142
D269,701	S *	7/1983	Miller	D24/188
4,410,176	A *	10/1983	Miller	482/144
4,438,761	A *	3/1984	McGowen	482/144

(Continued)

OTHER PUBLICATIONS

MasterCare Inversion Therapy at <http://www.hospimedicaintl.com/Products.aspx?CatID=1&SubCatID=17>. Downloaded Feb. 22, 2008.*

Portable Inversion Table at <http://www.sitincomfort.com/mmmamibanasp.html?src=google>. Downloaded Feb. 22, 2008.*

Primary Examiner—Philip Hyder
Assistant Examiner—RoseLynne Cody
(74) *Attorney, Agent, or Firm*—Nixon & Vanderhye, P.C.

(57) **CLAIM**

The ornamental design for a bench, as shown and described.

DESCRIPTION

FIG. 1 is a perspective view of my bench in an unfolded treatment position as seen from above and from a bench foot side;

FIG. 2 is a perspective view of my bench in an unfolded treatment position as seen from above and from a bench head side;

FIG. 3 is a perspective view of my bench in an unfolded treatment position as seen from below and from a bench head side;

FIG. 4 is an end view of my bench in an unfolded treatment position as seen from a bench head side;

FIG. 5 is a perspective view of my bench in a standing folded position as seen from a right side;

FIG. 6 is a perspective bottom view of my bench in the standing folded position of FIG. 5 as seen from a left side;

FIG. 7 is a left side view of my bench in the standing folded position of FIG. 5;

FIG. 8 is a right side view of my bench in the standing folded position of FIG. 5;

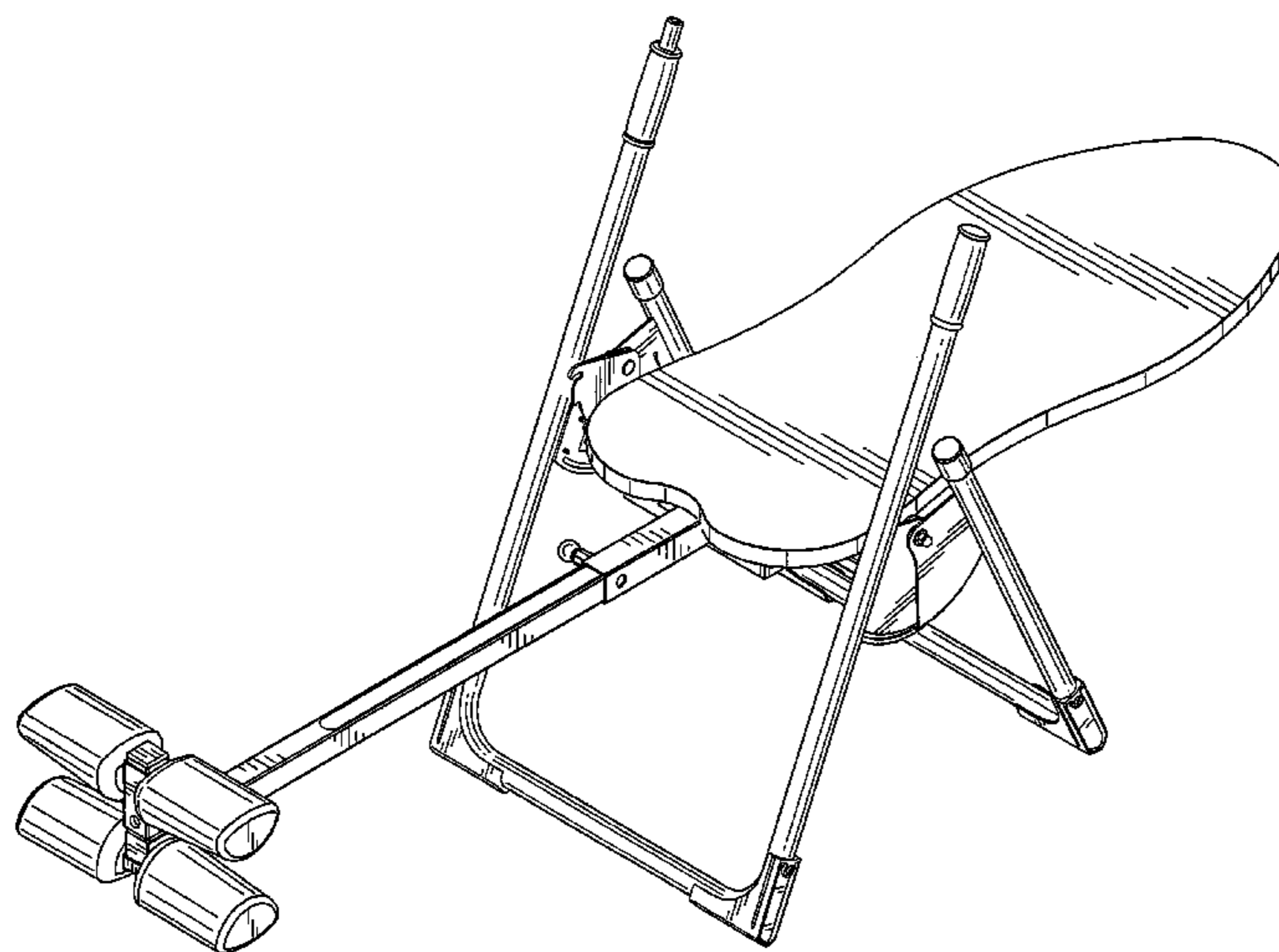
FIG. 9 is a front view of my bench in the standing folded position of FIG. 5;

FIG. 10 is a rear view of my bench in the folded position of FIG. 5;

FIG. 11 is a top view of my bench in the standing folded of FIG. 5; and,

FIG. 12 is a bottom view of my bench in the standing folded position of FIG. 5.

1 Claim, 10 Drawing Sheets



US D582,495 S

Page 2

U.S. PATENT DOCUMENTS

4,444,178	A *	4/1984	Kuo	482/144	5,551,937	A *	9/1996	Kwo	482/144
D273,983	S *	5/1984	McGowen	D24/183	5,718,660	A *	2/1998	Chen	482/144
4,502,682	A *	3/1985	Miller	482/144	5,967,955	A *	10/1999	Westfall et al.	482/142
4,531,731	A *	7/1985	Law	482/144	6,149,560	A *	11/2000	Kim	482/145
D280,116	S *	8/1985	McGowen	D21/688	D455,803	S *	4/2002	Webber	D21/690
4,534,554	A *	8/1985	Miller	482/144	7,052,448	B2 *	5/2006	Teeter	482/144
4,534,555	A *	8/1985	McGowen	482/144	7,063,652	B1 *	6/2006	Teeter et al.	482/145
D280,537	S *	9/1985	Law	D21/688	7,081,073	B1 *	7/2006	Smith	482/145
D280,842	S *	10/1985	Miller	D21/688	7,112,167	B2 *	9/2006	Kim	482/145
4,717,148	A *	1/1988	Brewer	482/144	7,125,372	B1 *	10/2006	Teeter et al.	482/144
						2002/0165071	A1 *	11/2002	Wu	482/142

* cited by examiner

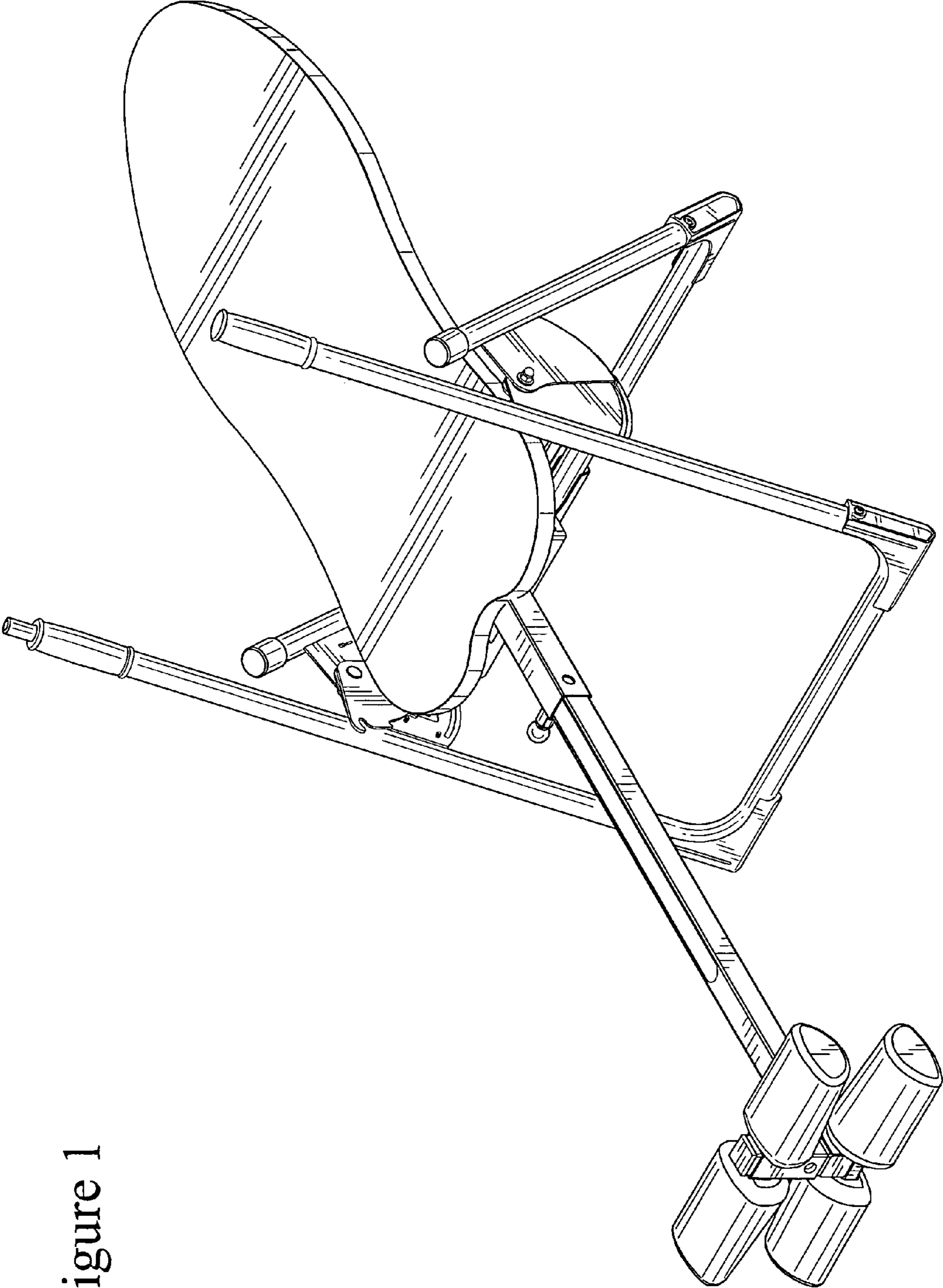


Figure 1

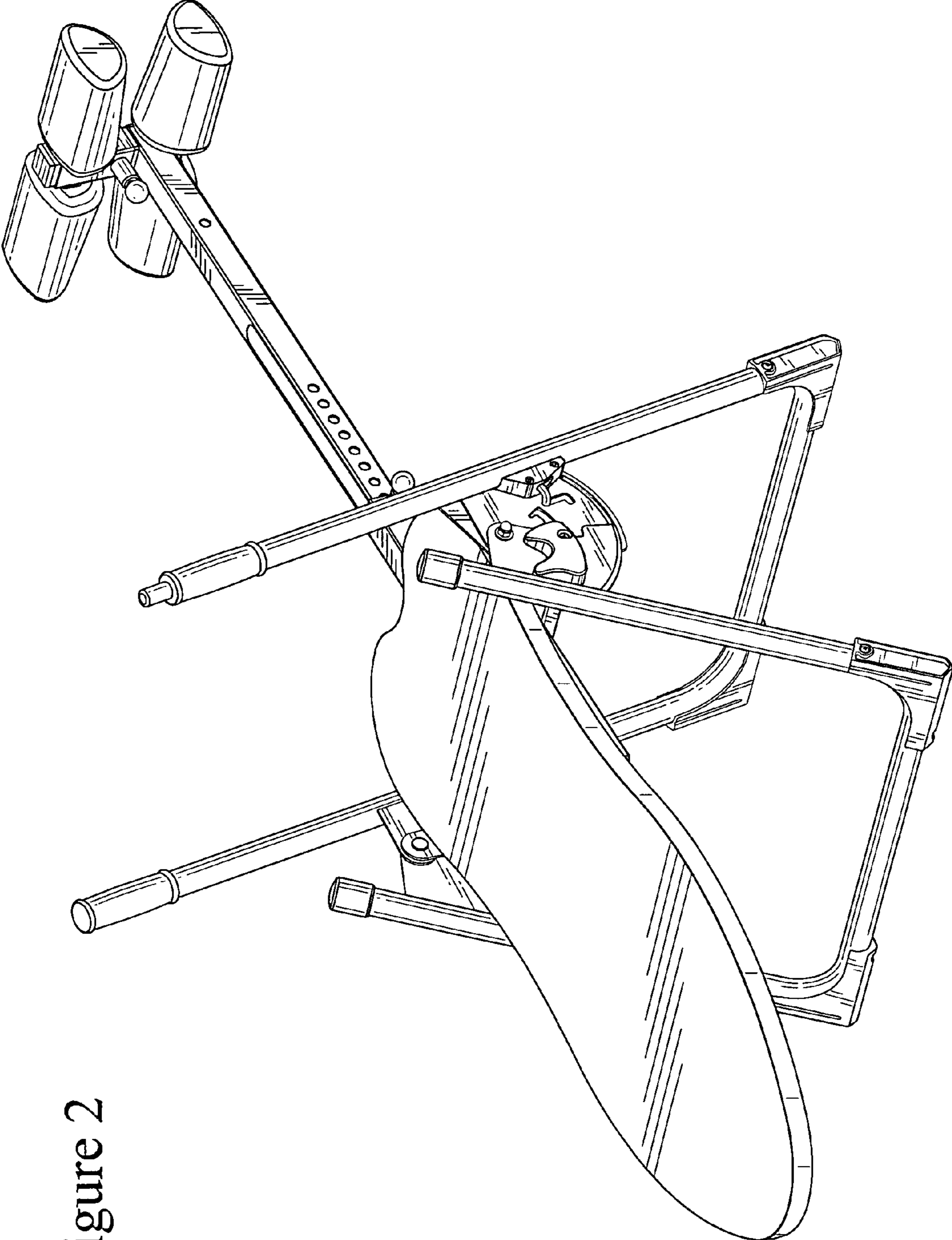
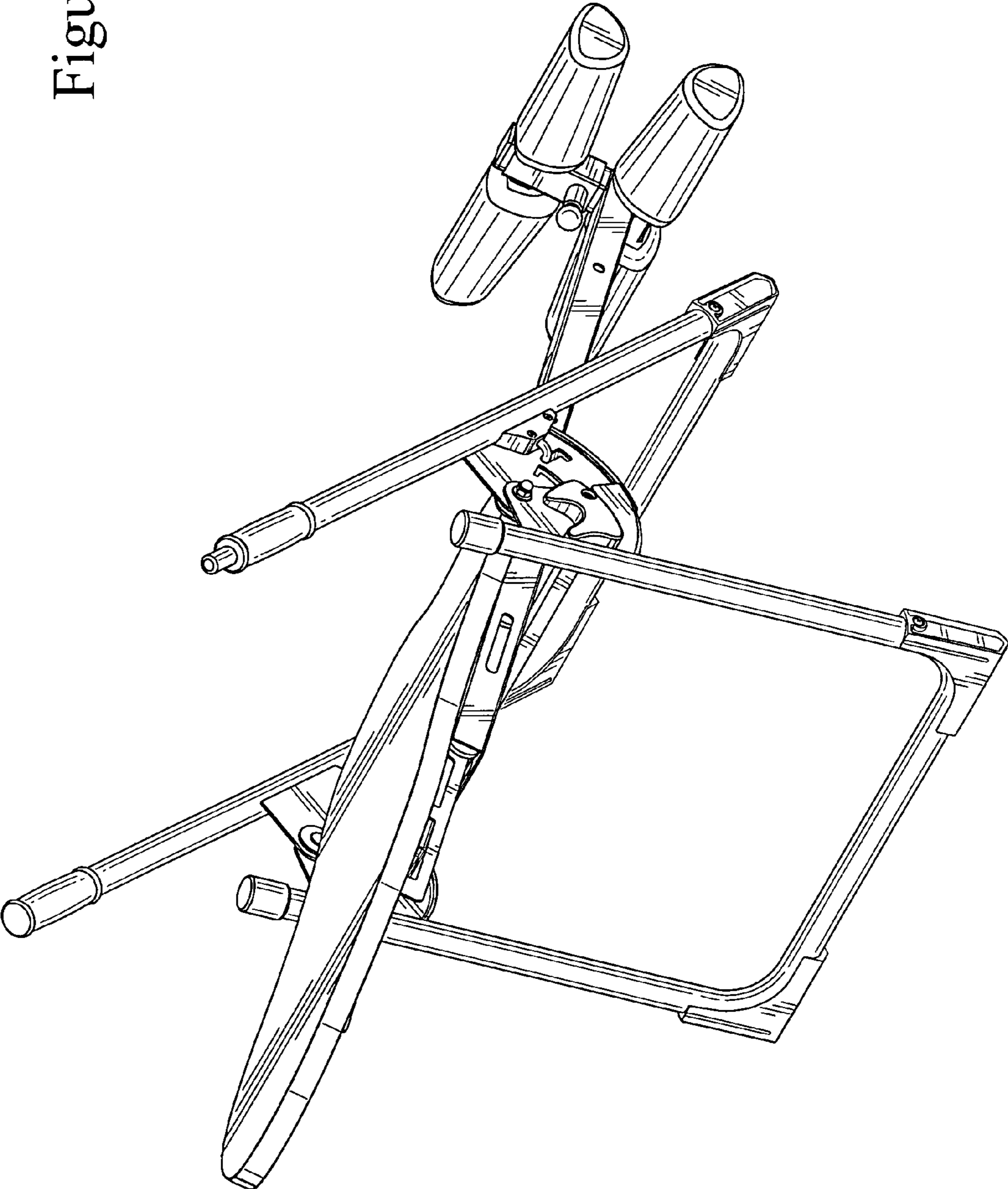


Figure 2

Figure 3



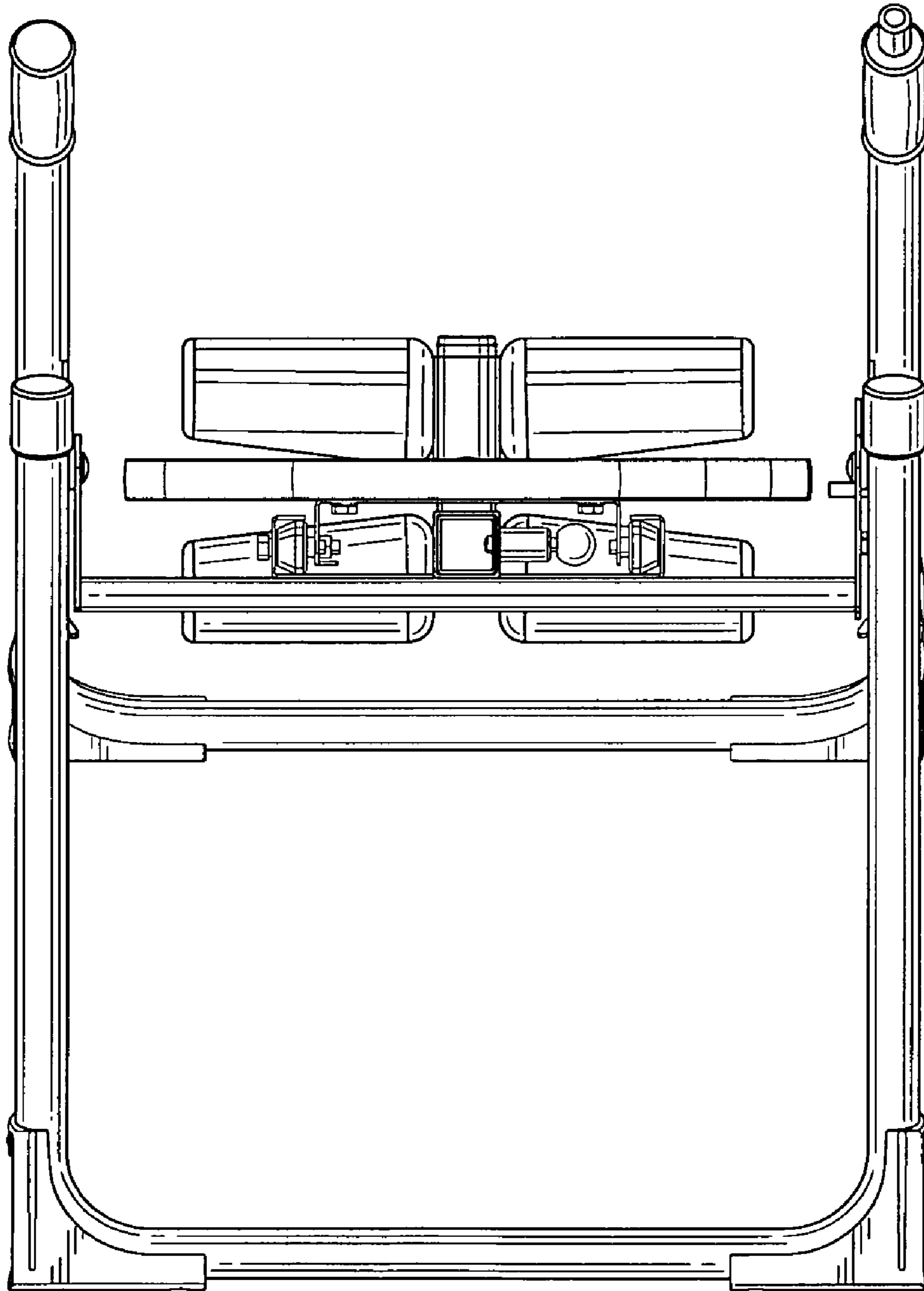


Figure 4

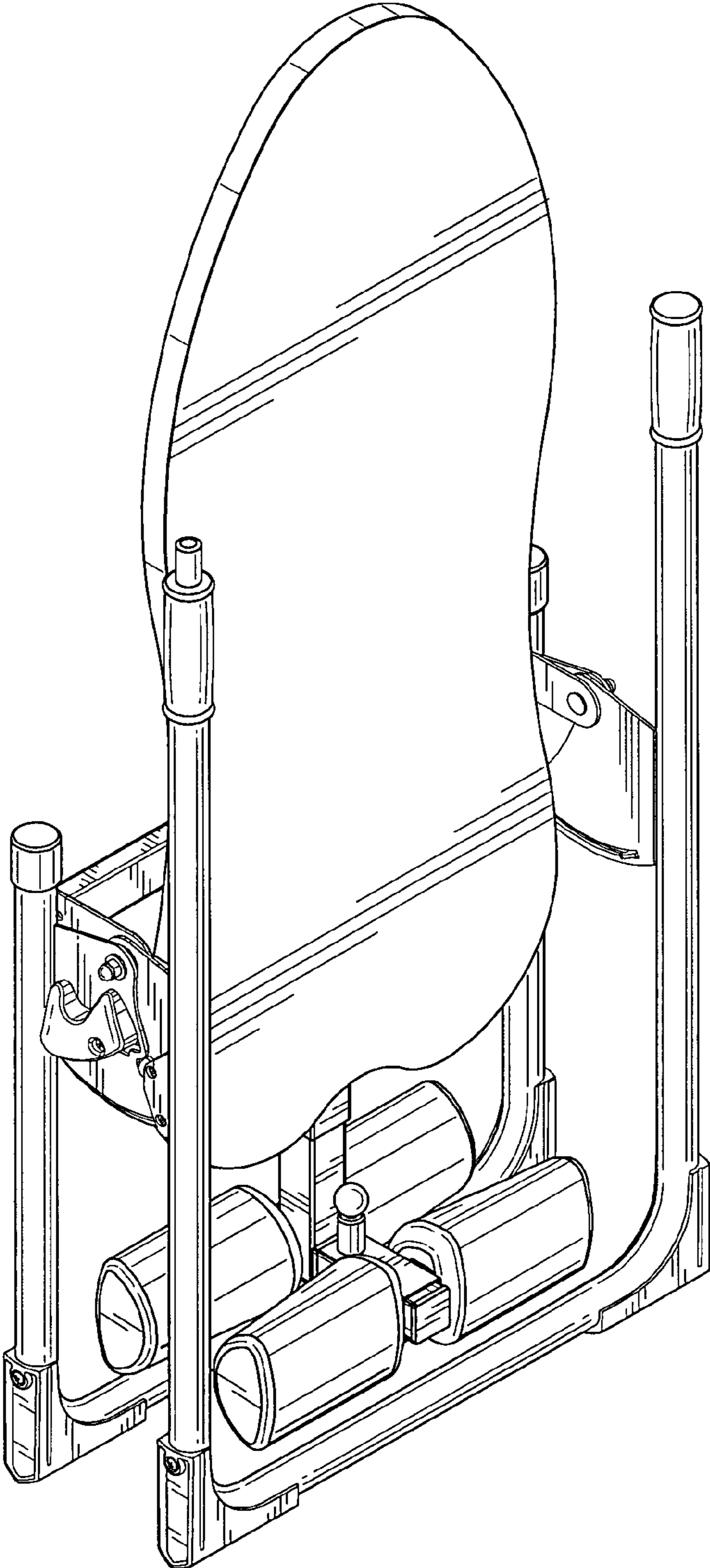


Figure 5

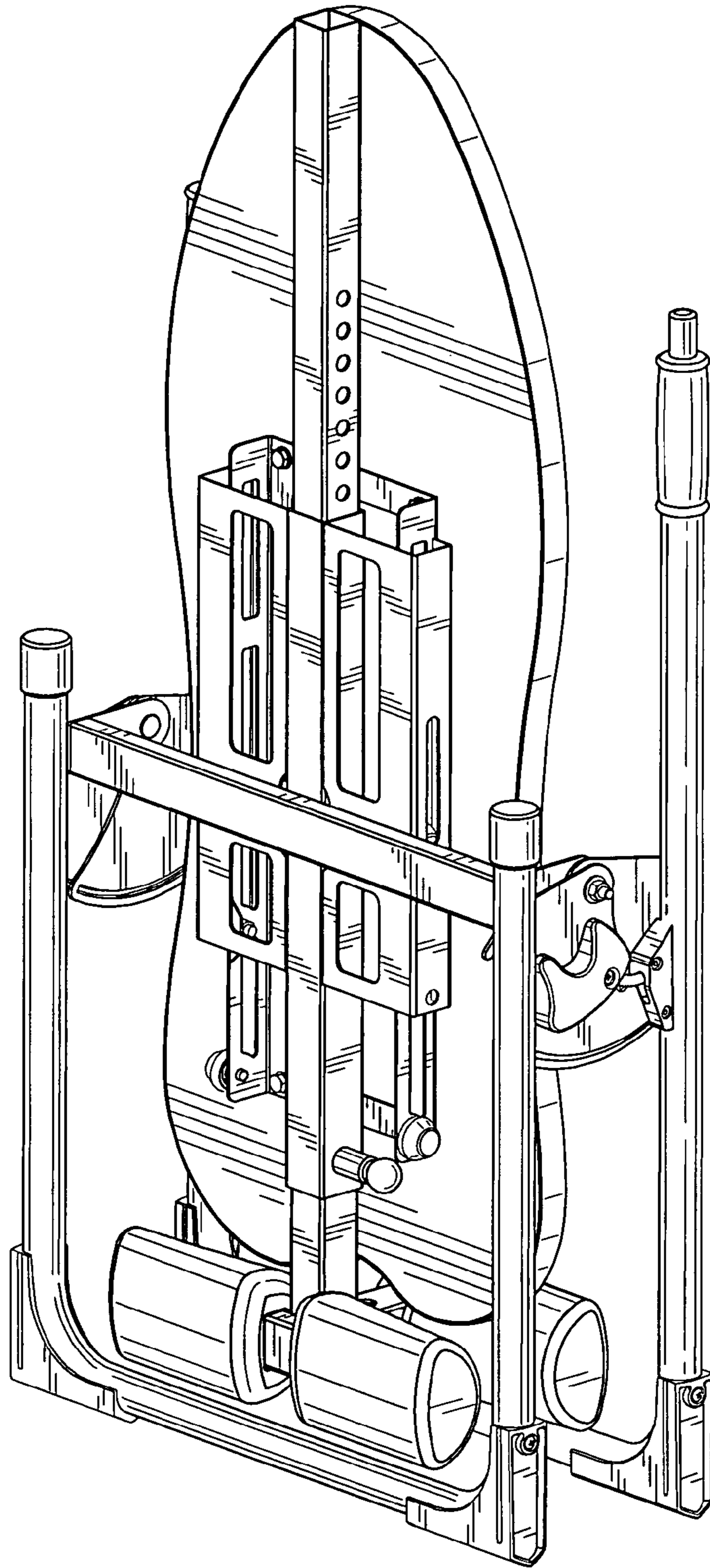


Figure 6

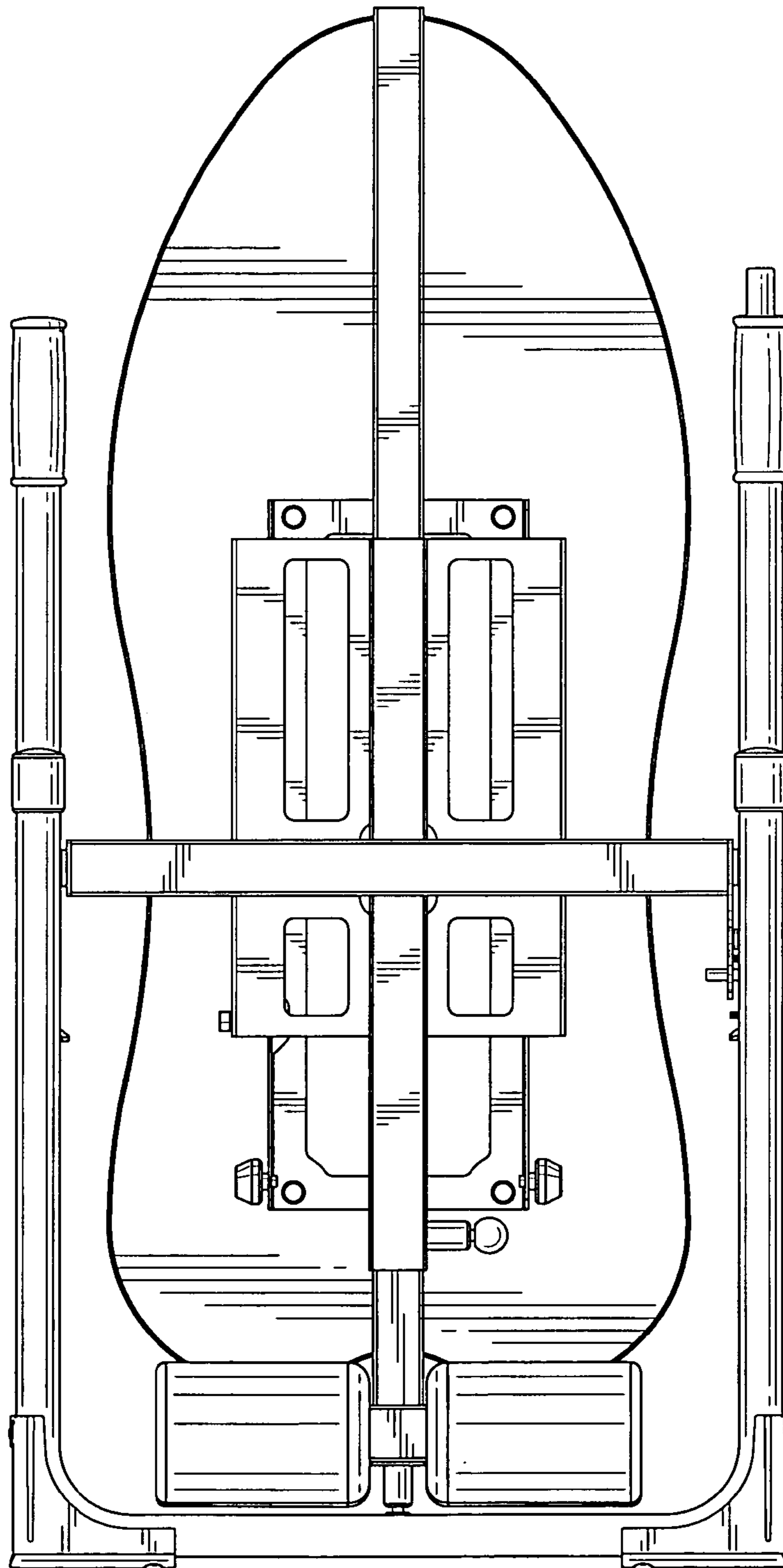


Figure 7

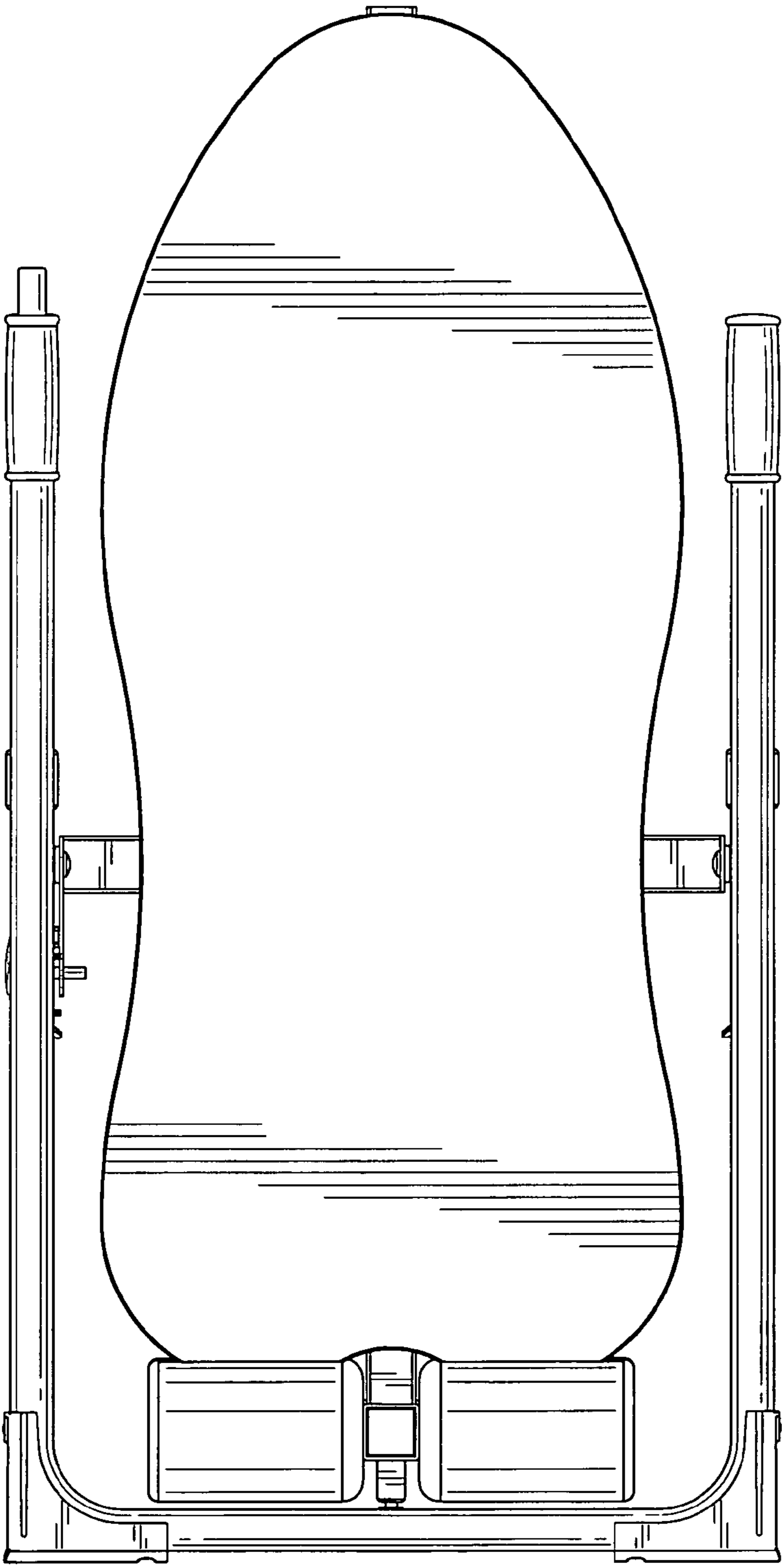


Figure 8

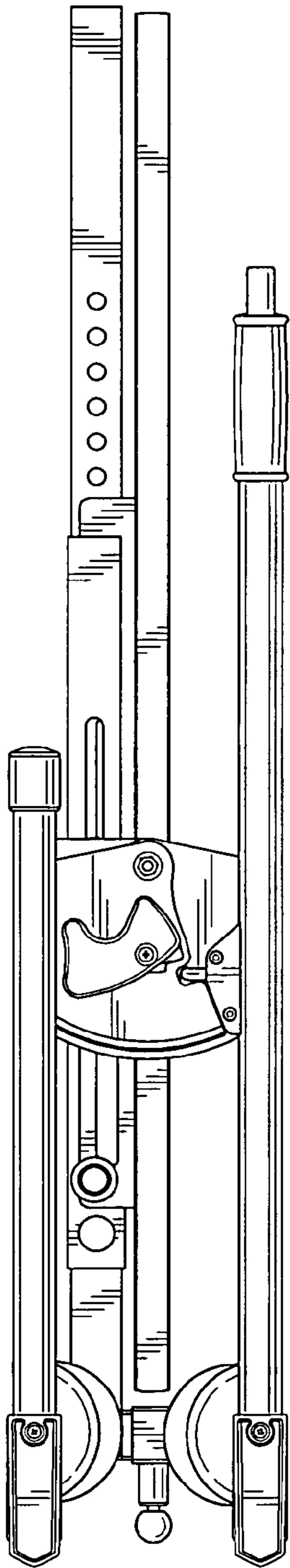


Figure 9

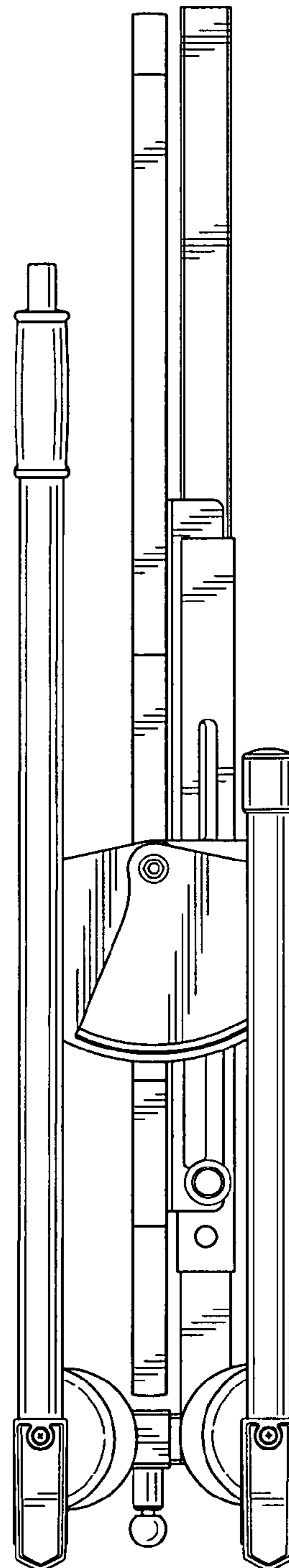


Figure 10

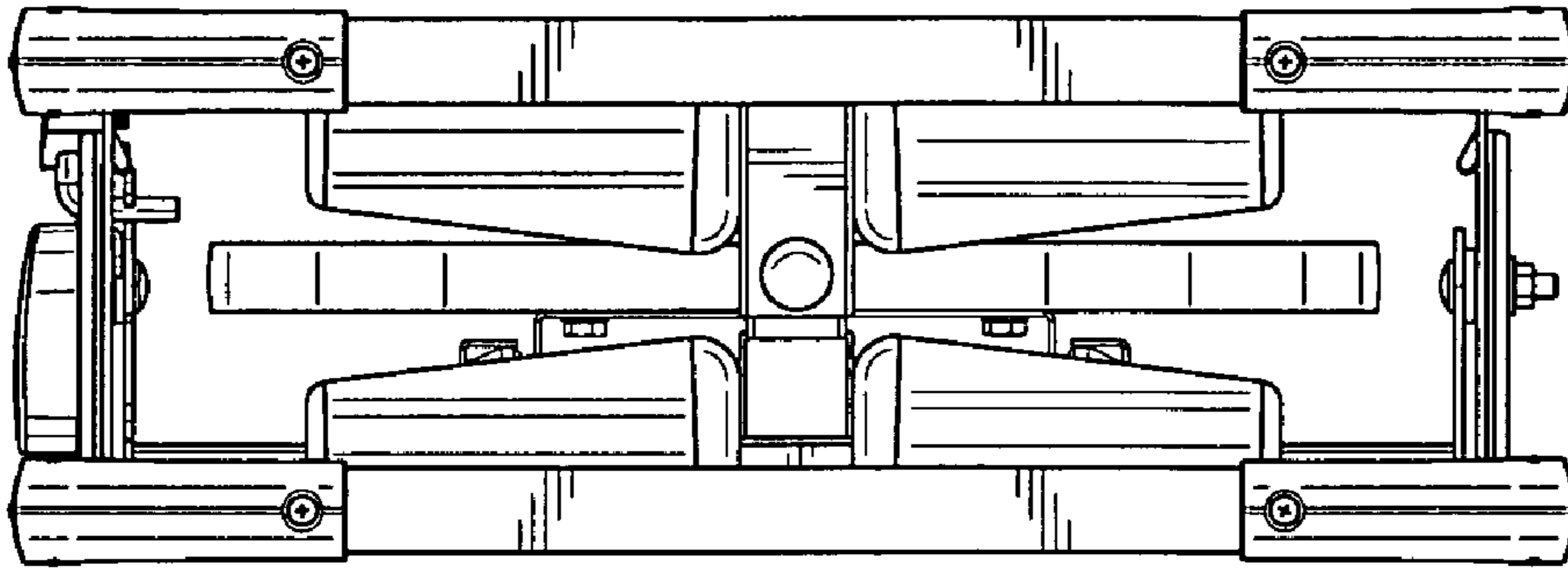


Figure 12

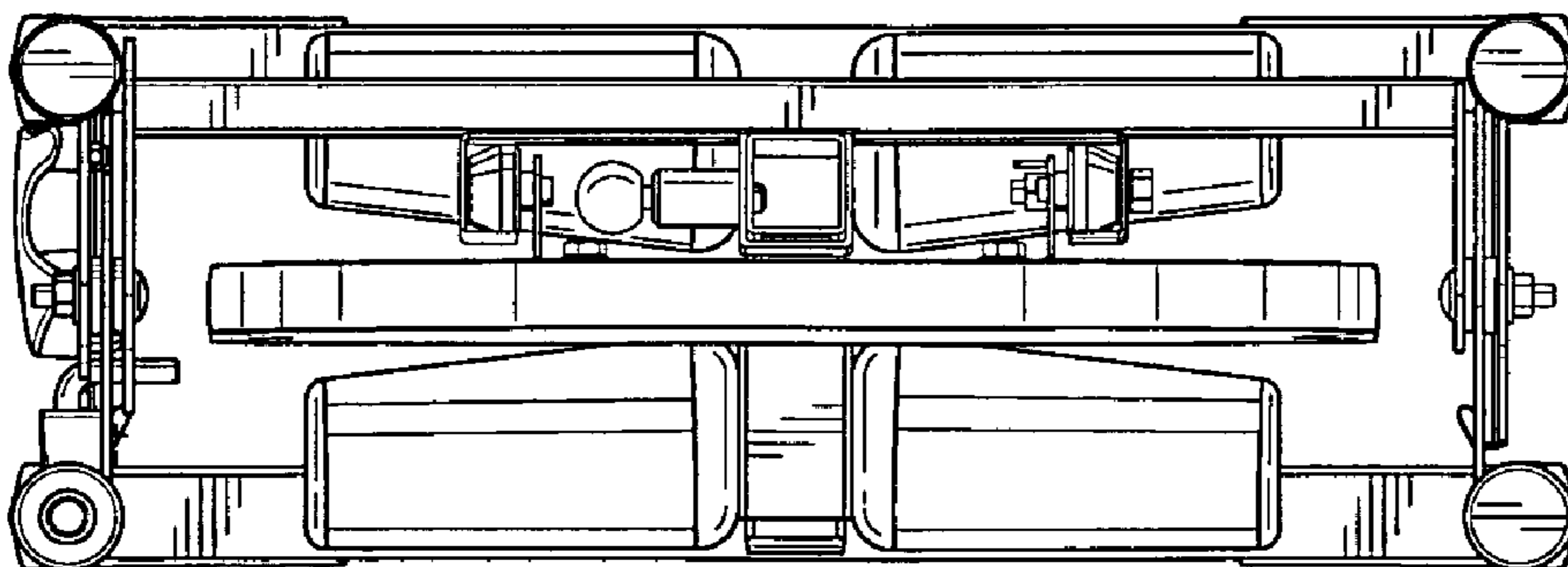


Figure 11