



US00D582490S

(12) **United States Design Patent**  
**Yuen**

(10) **Patent No.:** **US D582,490 S**  
(45) **Date of Patent:** **\*\* Dec. 9, 2008**

(54) **TOY HELICOPTER**

(75) Inventor: **Shiu Hang Yuen**, Tsimshatsui East (HK)

(73) Assignee: **Hobbyengine Model Limited**, Kowloon (HK)

(\*\*) Term: **14 Years**

(21) Appl. No.: **29/305,373**

(22) Filed: **Mar. 19, 2008**

(30) **Foreign Application Priority Data**

Dec. 4, 2007 (HK) ..... 0703069

(51) **LOC (8) Cl.** ..... **21-01**

(52) **U.S. Cl.** ..... **D21/442**

(58) **Field of Classification Search** ..... D21/436-454;  
D12/319-345; 446/30-68, 88; 244/17.11-17.27  
See application file for complete search history.

(56) **References Cited**

**U.S. PATENT DOCUMENTS**

D164,351 S *	8/1951	Bassett	.....	D12/327
D179,629 S *	2/1957	Duppstadt et al.	.....	D12/327
3,133,715 A *	5/1964	Grunfelder	.....	244/17.11
3,189,302 A *	6/1965	Bullinger	.....	244/17.21
3,279,096 A *	10/1966	Emigh	.....	434/33
3,467,343 A *	9/1969	Violleau	.....	244/17.17
D225,654 S *	12/1972	Spiegel	.....	D21/442

3,765,770 A *	10/1973	McConnell et al.	.....	356/141.3
D253,003 S *	9/1979	Tanaka	.....	D21/442
2006/0231677 A1 *	10/2006	Zimet et al.	.....	244/17.23
2007/0012818 A1 *	1/2007	Miyazawa et al.	.....	244/17.25
2007/0105475 A1 *	5/2007	Gotou et al.	.....	446/37
2007/0164150 A1 *	7/2007	Van de Rostyne et al.	.....	244/17.21

\* cited by examiner

*Primary Examiner*—Catherine Tuttle

(74) *Attorney, Agent, or Firm*—Merchant & Gould P.C.

(57) **CLAIM**

The ornamental design for a toy helicopter, as shown and described.

**DESCRIPTION**

FIG. 1 is a perspective view from front, top and left side of a toy helicopter showing my new design;

FIG. 2 is a perspective view from front, top and right side thereof;

FIG. 3 is a front view thereof;

FIG. 4 is a rear view thereof;

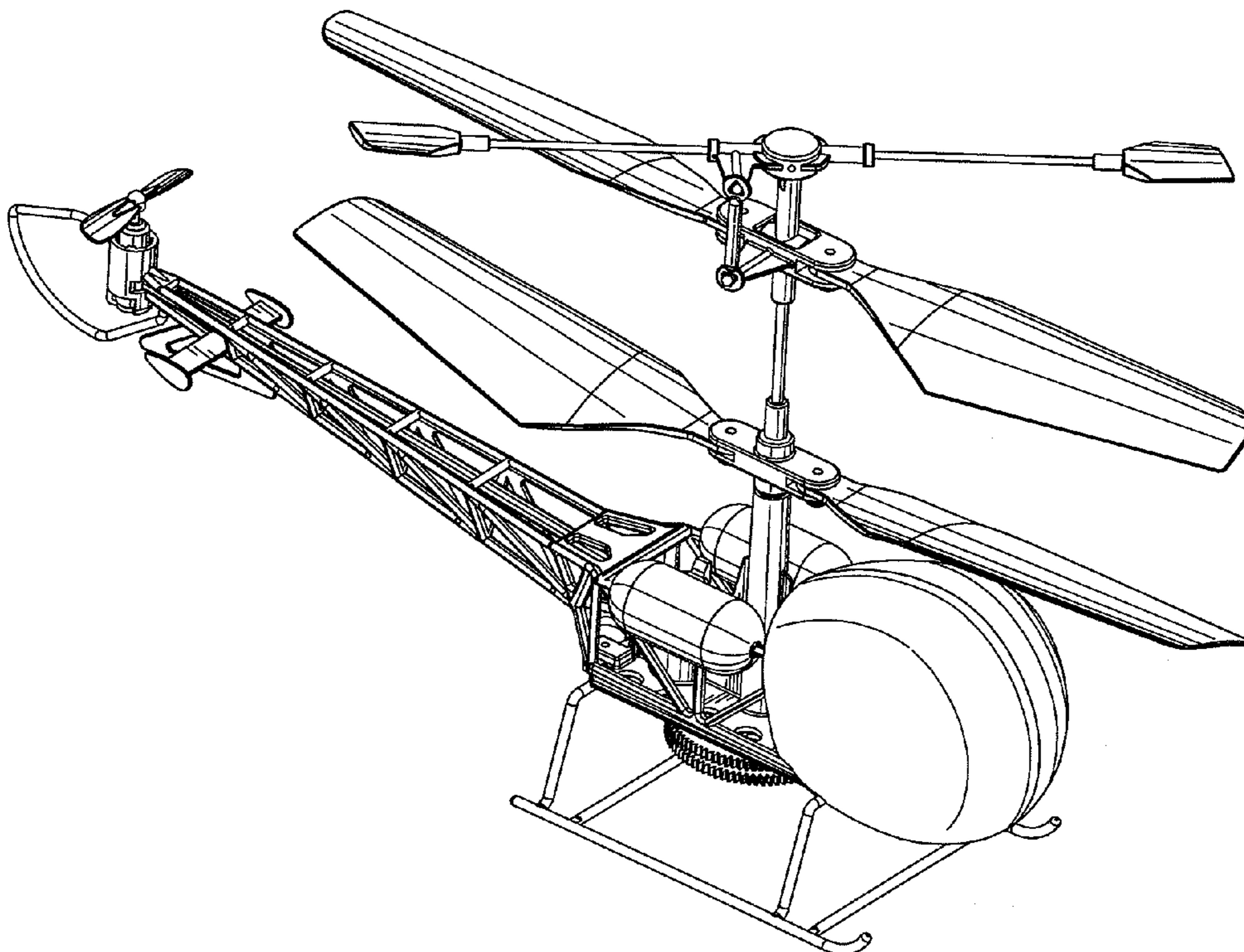
FIG. 5 is a left side view thereof;

FIG. 6 is a right side view thereof;

FIG. 7 is a top view thereof; and,

FIG. 8 is a bottom view thereof.

**1 Claim, 7 Drawing Sheets**



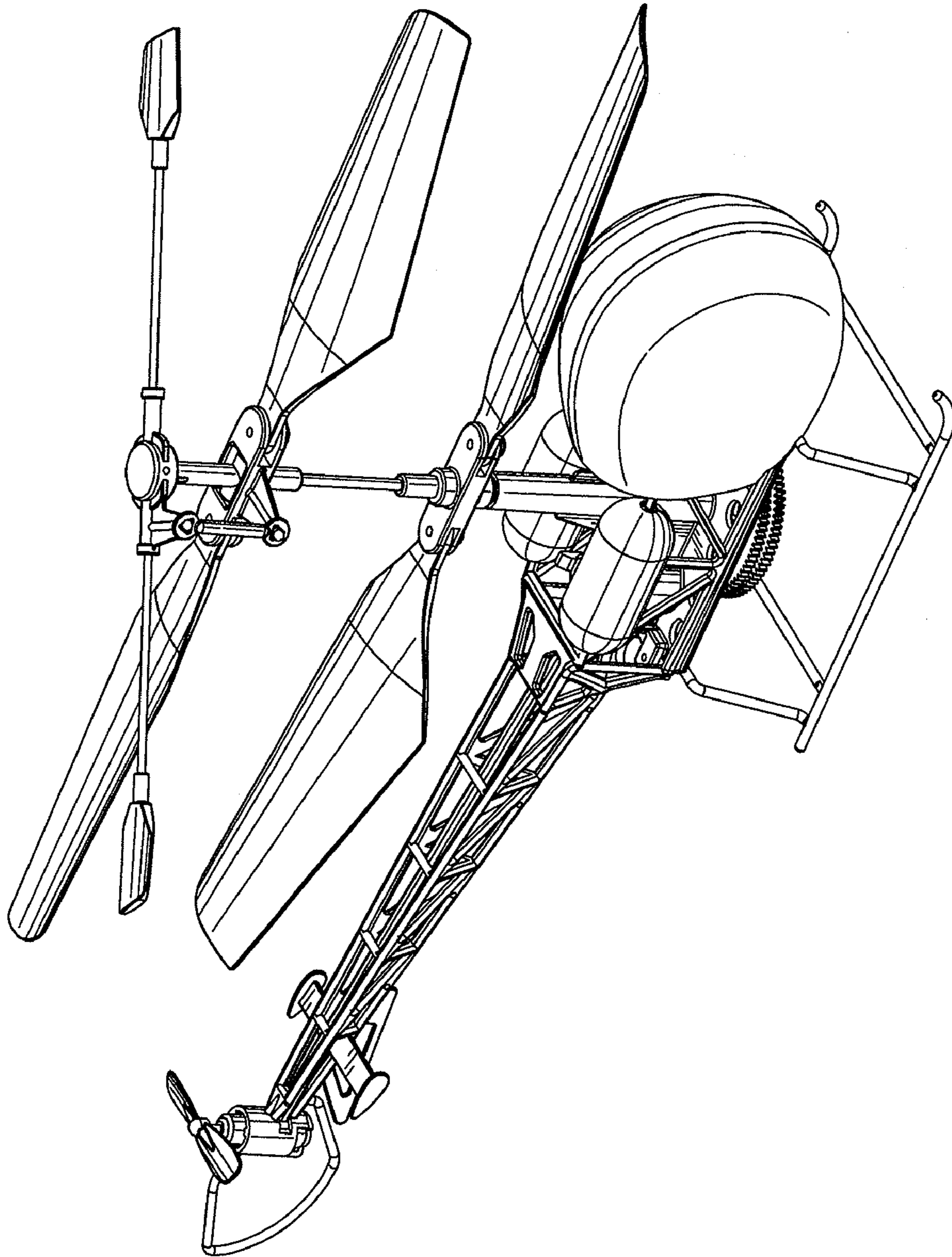


FIG. 1

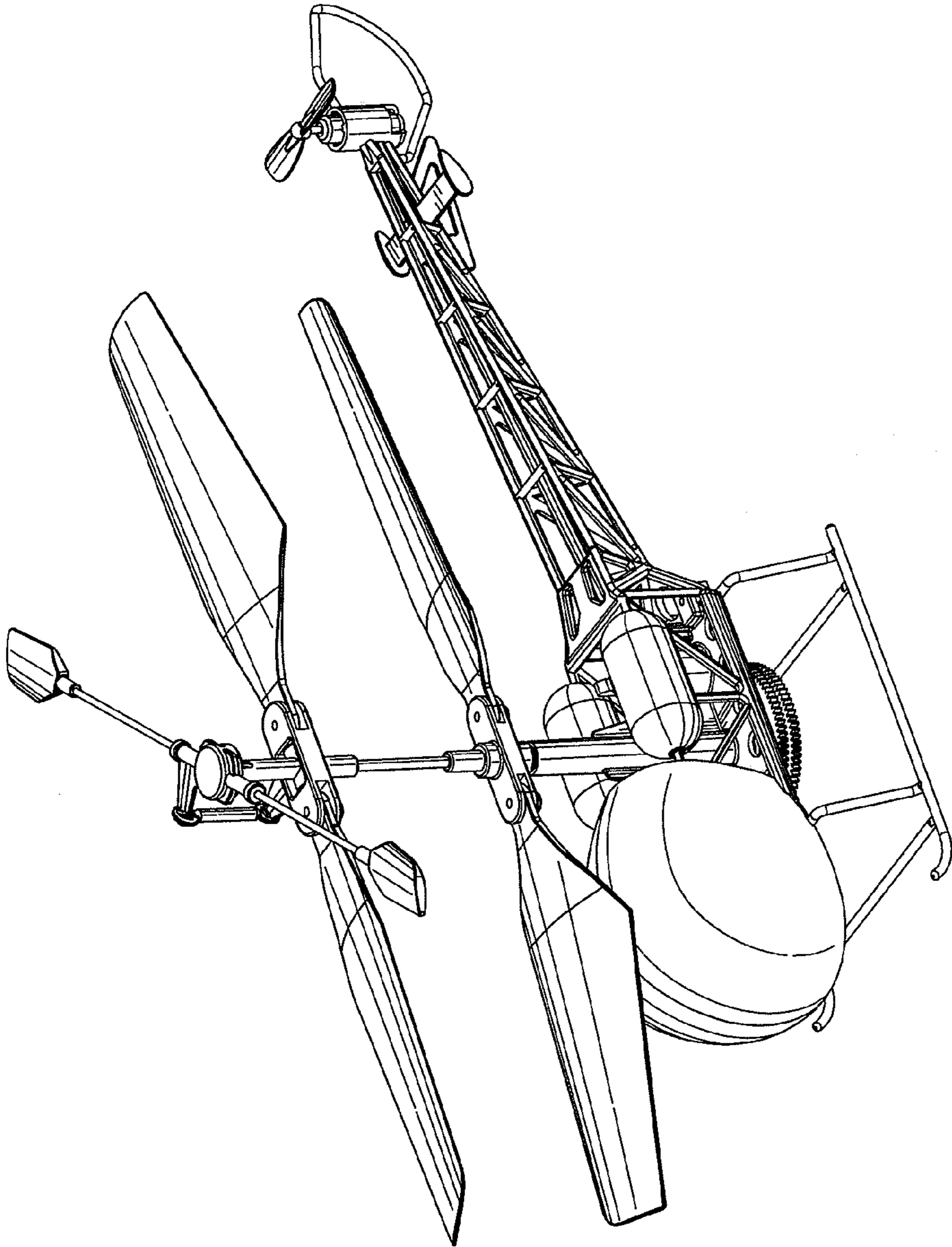


FIG. 2

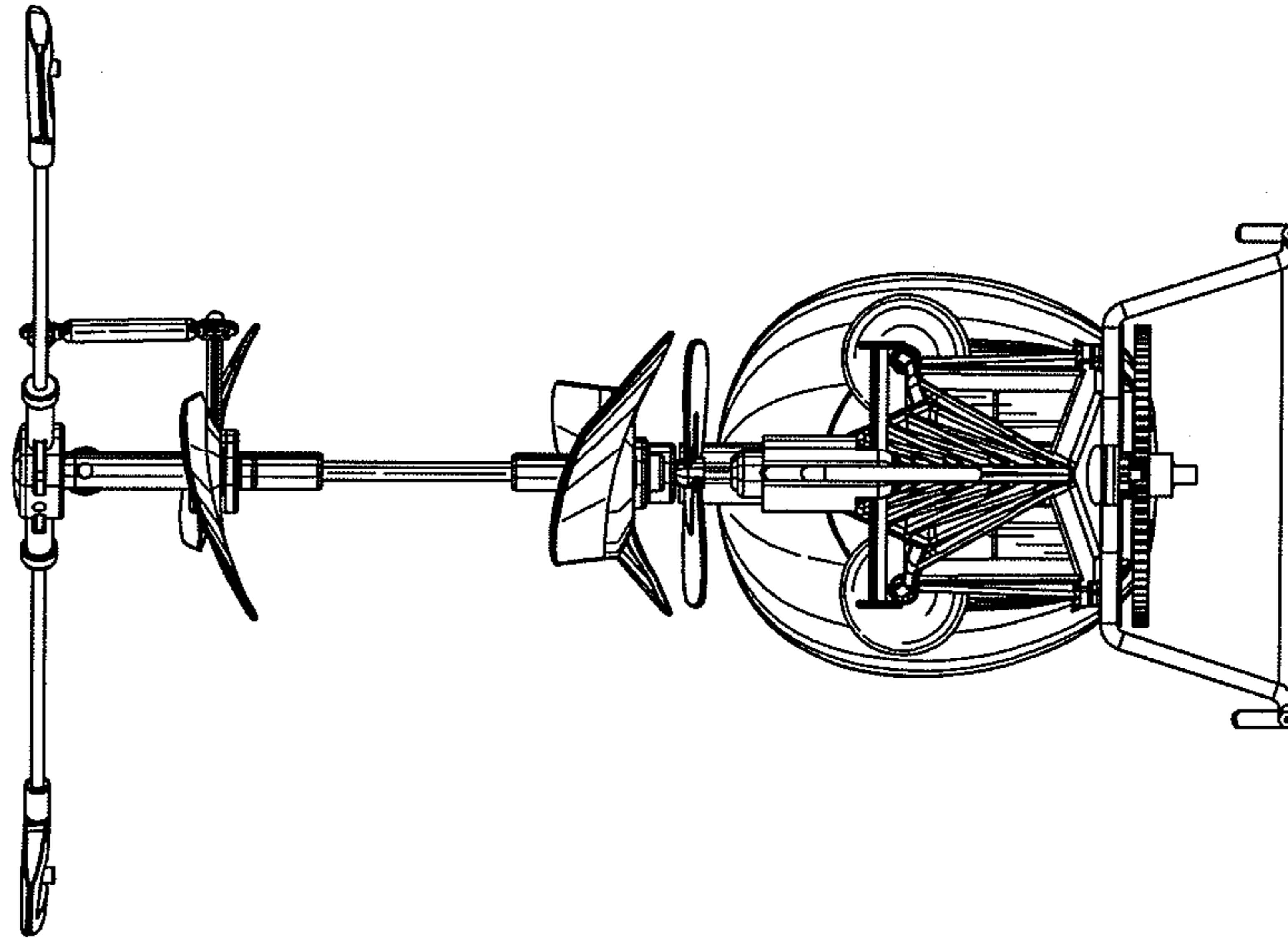


FIG. 4

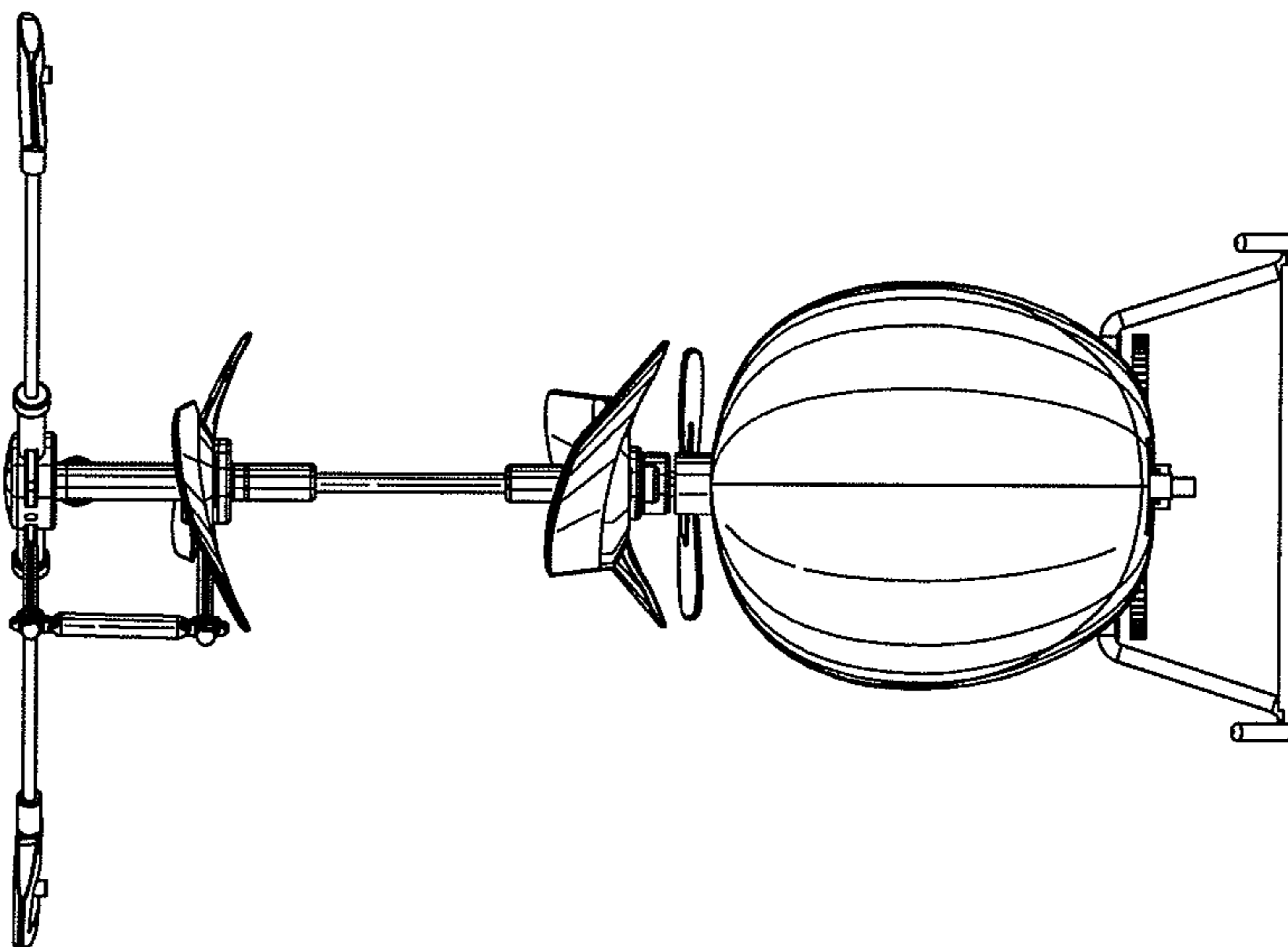


FIG. 3

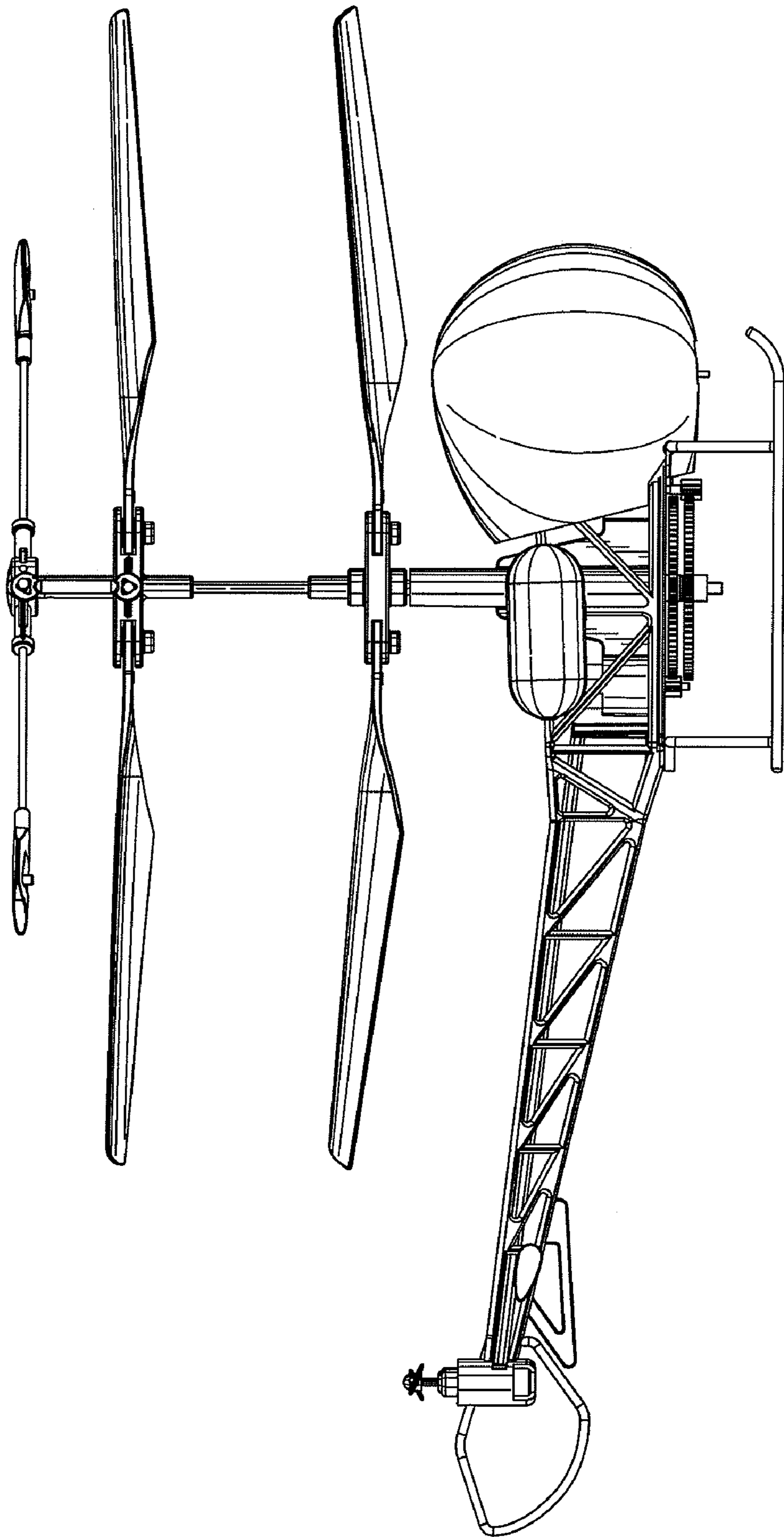


FIG. 5

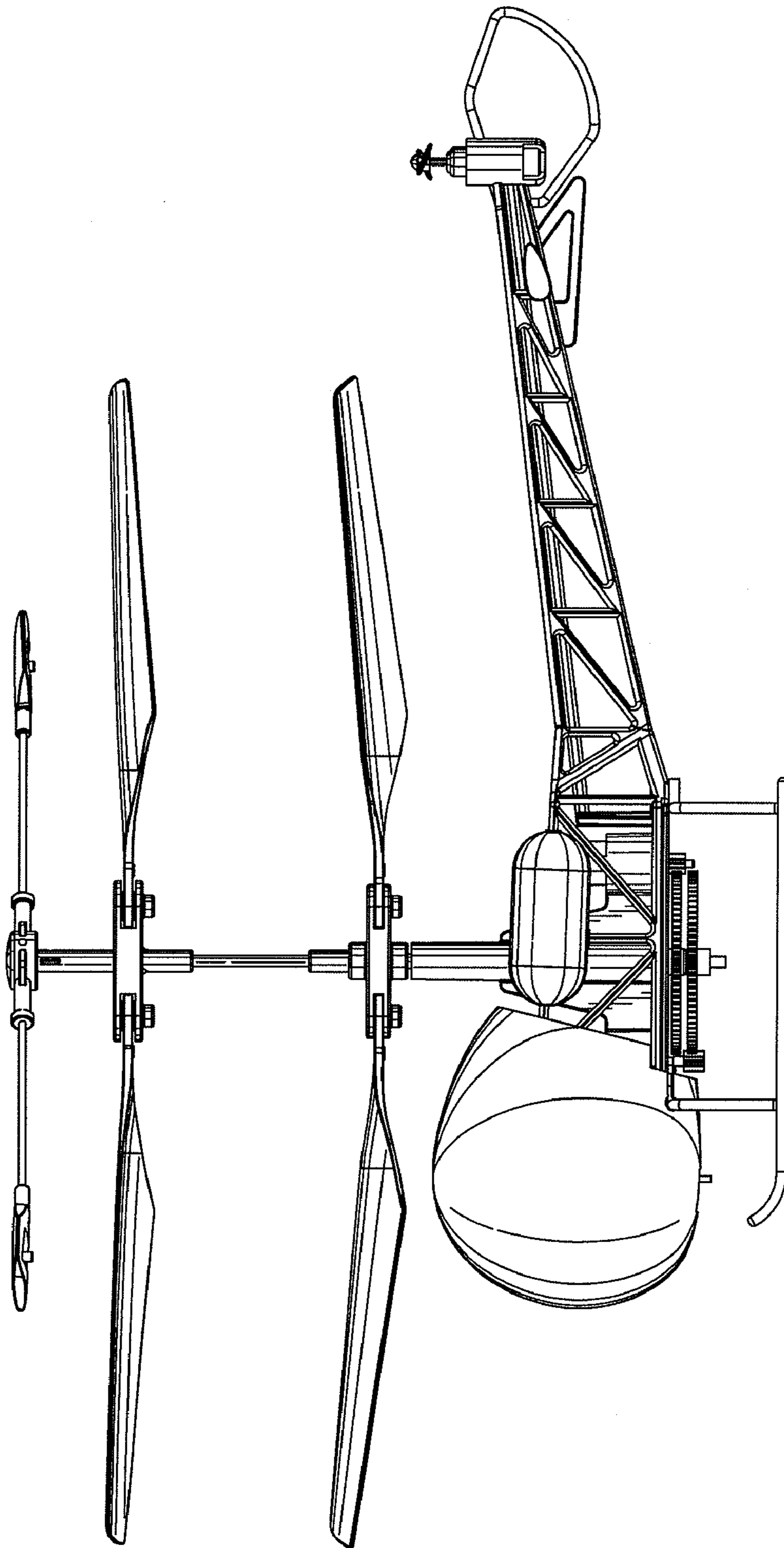


FIG. 6

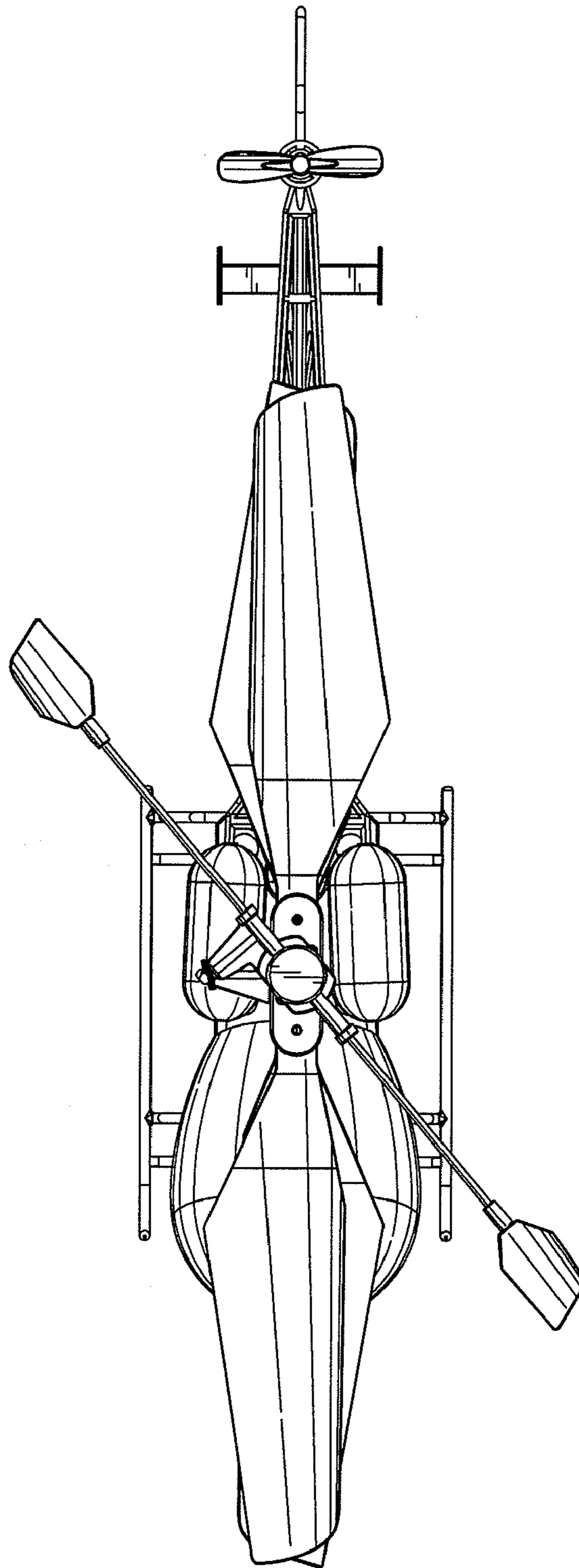


FIG. 7

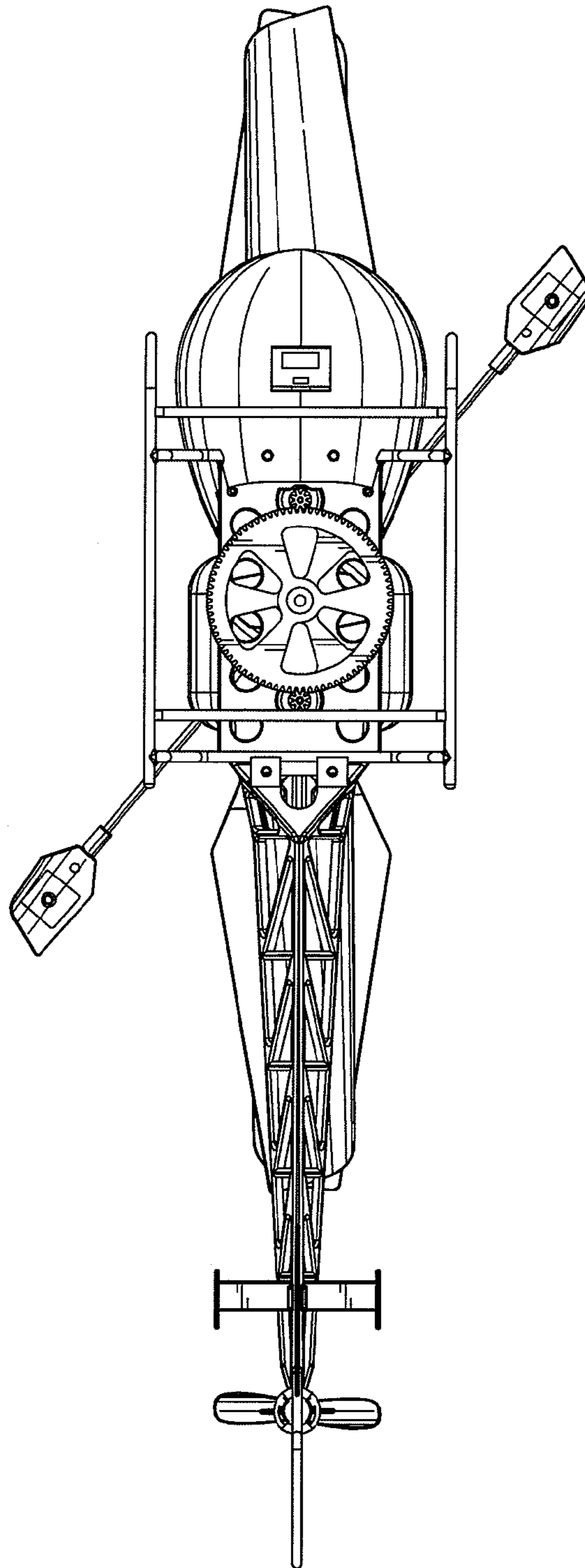


FIG. 8