



US00D582489S

(12) **United States Design Patent**
Badanjo

(10) **Patent No.:** **US D582,489 S**
(45) **Date of Patent:** **** Dec. 9, 2008**

(54) **CHILDREN'S TRICYCLE**

D484,073 S * 12/2003 Heinemann et al. D12/112
D514,476 S * 2/2006 Glenn, II D12/112
D524,699 S * 7/2006 Kurth et al. D12/112

(75) Inventor: **Ariel Badanjo**, Shanghai (CN)

(73) Assignee: **Toymonster Intellectual Property Limited (VG)**

* cited by examiner

Primary Examiner—Holly H Baynham

Assistant Examiner—Cynthia M Chin

(**) Term: **14 Years**

(74) *Attorney, Agent, or Firm*—Ostrolenk, Faber, Gerb & Soffen, LLP

(21) Appl. No.: **29/299,655**

(22) Filed: **Dec. 31, 2007**

(57) **CLAIM**

(51) **LOC (8) Cl.** **21-01**

The ornamental design for a children's tricycle, as shown and described.

(52) **U.S. Cl.** **D21/435**

(58) **Field of Classification Search** D21/412,
D21/414, 419, 423–428, 431–435; D12/1,
D12/107, 110–114, 129, 130, 133; 280/87.01,
280/87.021, 87.05, 87.051, 47.17, 47.25,
280/47.34, 47.38, 47.4, 827, 828, 29, 200,
280/263, 270, 282, 288.4, 291, 293; 297/5;
482/68

DESCRIPTION

See application file for complete search history.

FIG. 1 is a perspective view of a children's tricycle showing my new design;

FIG. 2 is a front view thereof;

FIG. 3 is a left side view thereof, the right side being a mirror image;

FIG. 4 is a top view thereof;

FIG. 5 is a bottom view thereof; and,

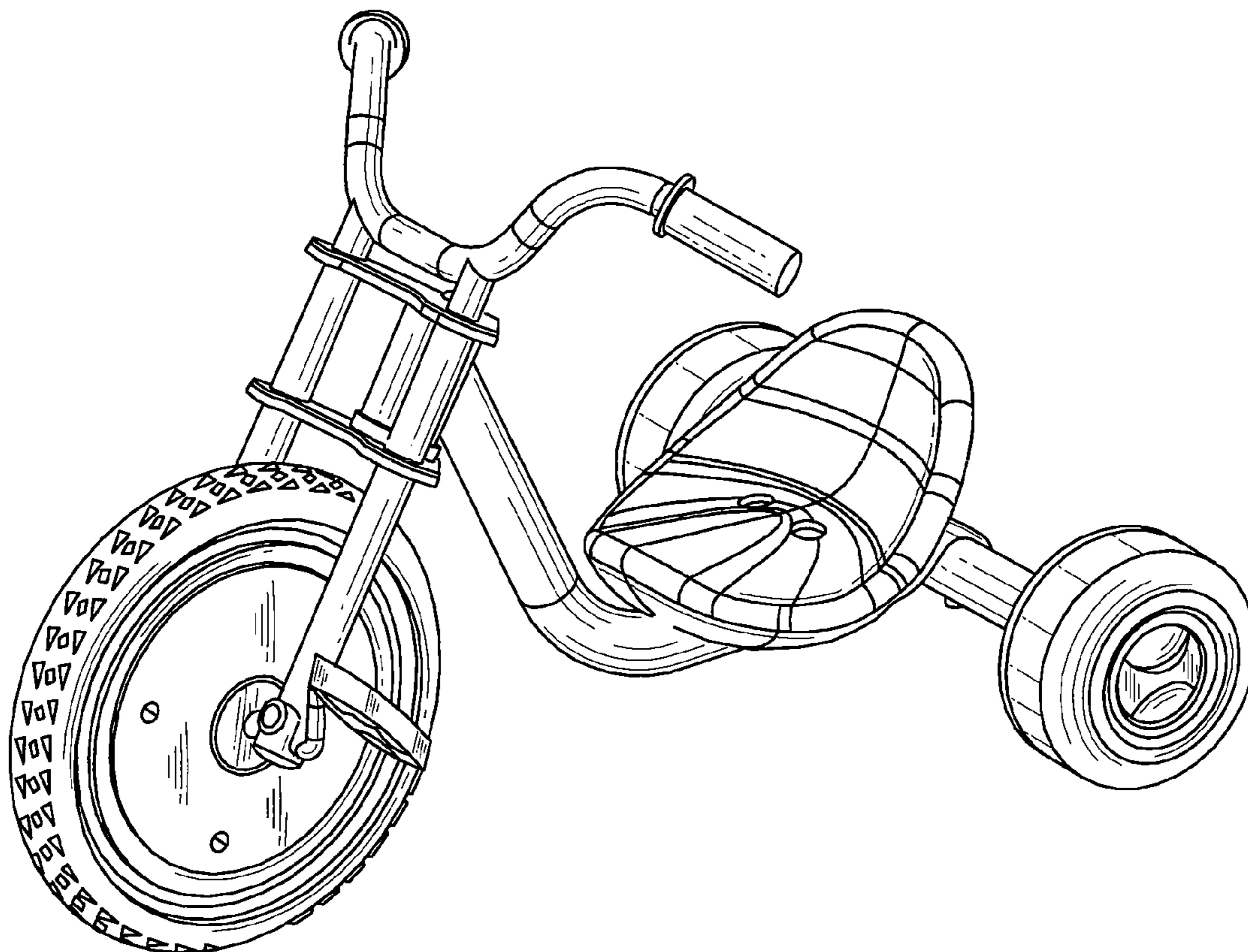
FIG. 6 is a back view with the rear wheel raised to provide additional details thereof.

(56) **References Cited**

U.S. PATENT DOCUMENTS

D277,947 S * 3/1985 Blumenthal D12/112
D480,023 S * 9/2003 Hsaio D12/112
D483,420 S * 12/2003 DeLong et al. D21/435

1 Claim, 6 Drawing Sheets



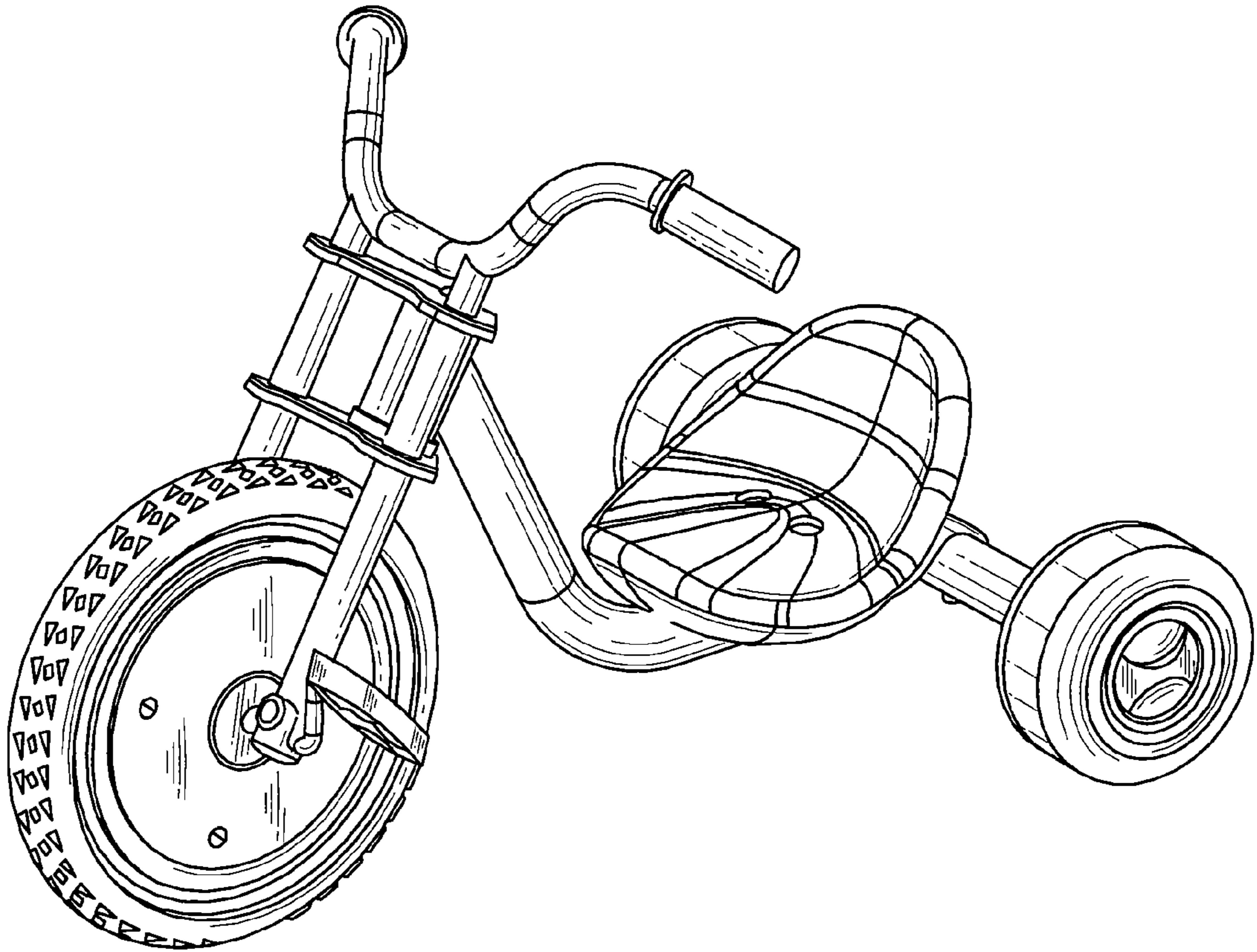


FIG. 1

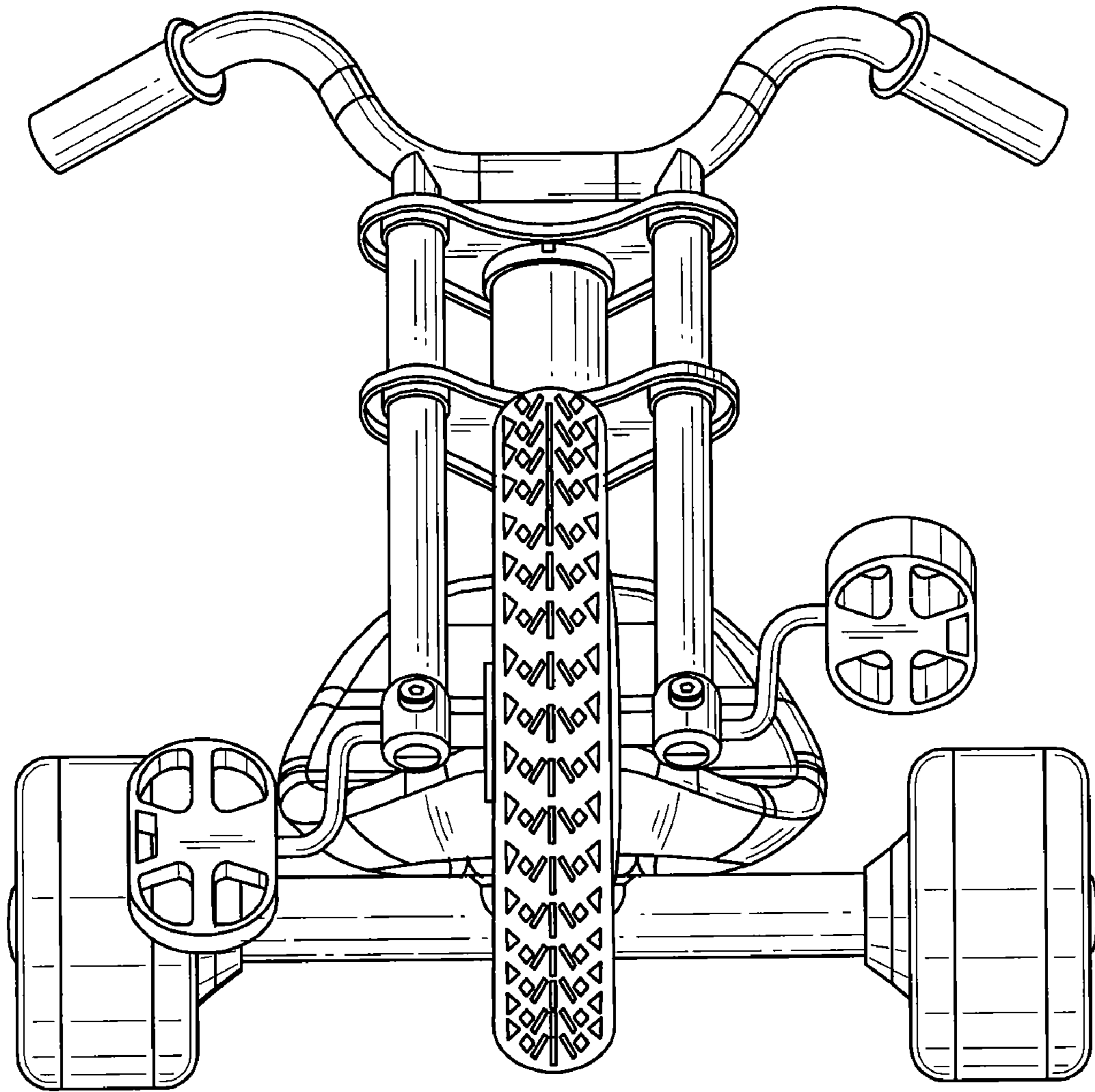


FIG. 2

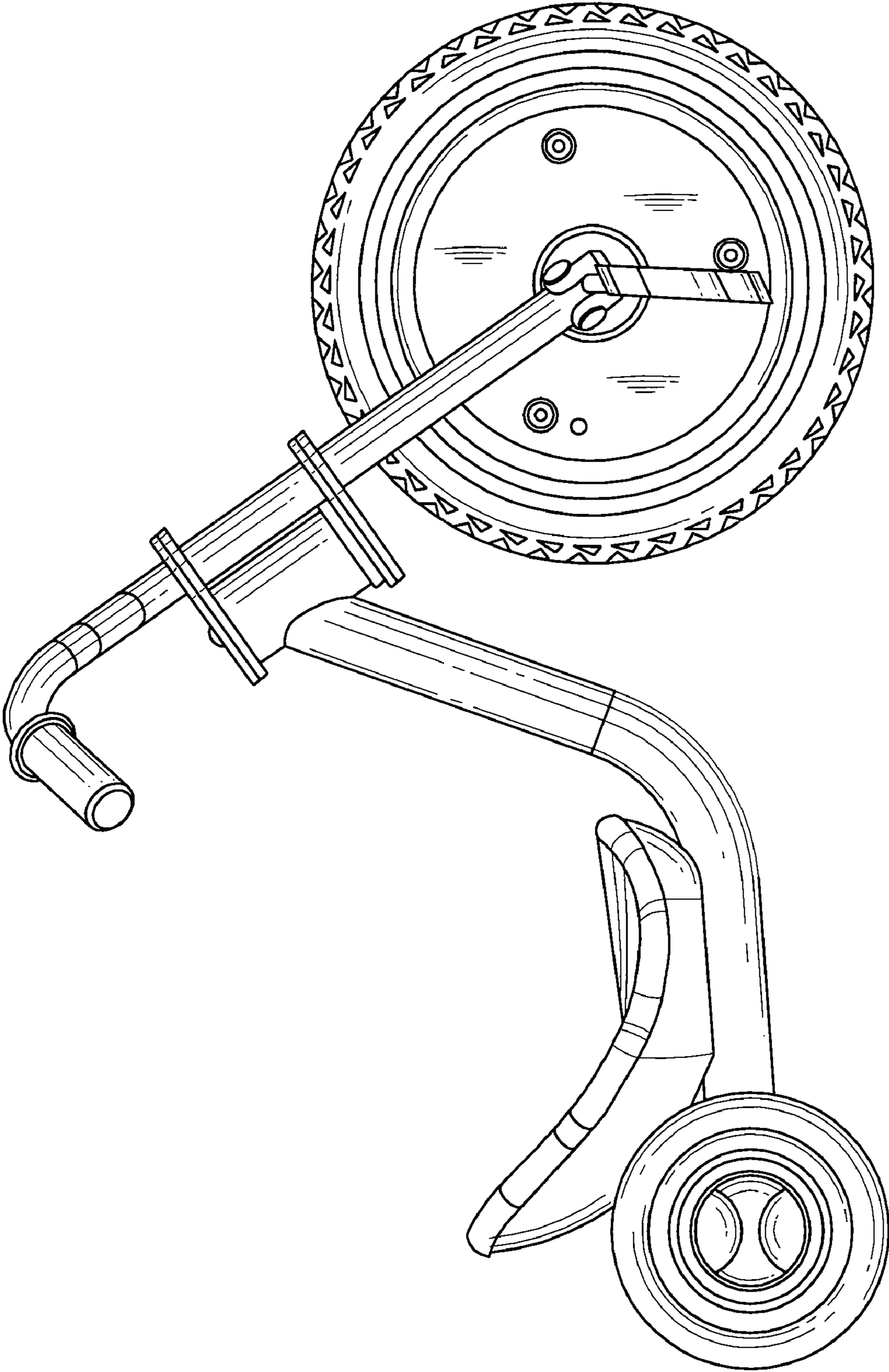


FIG. 3

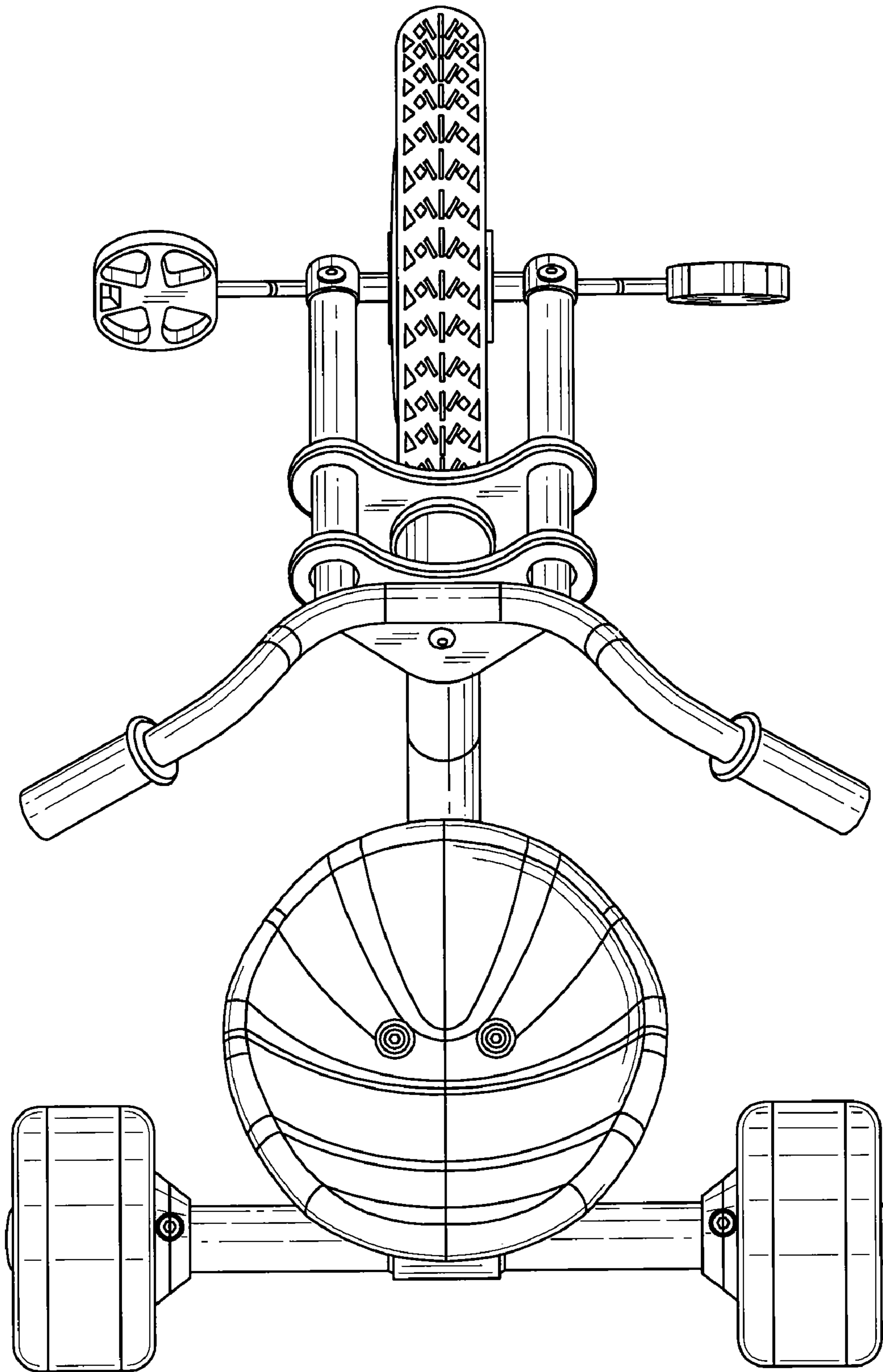


FIG. 4

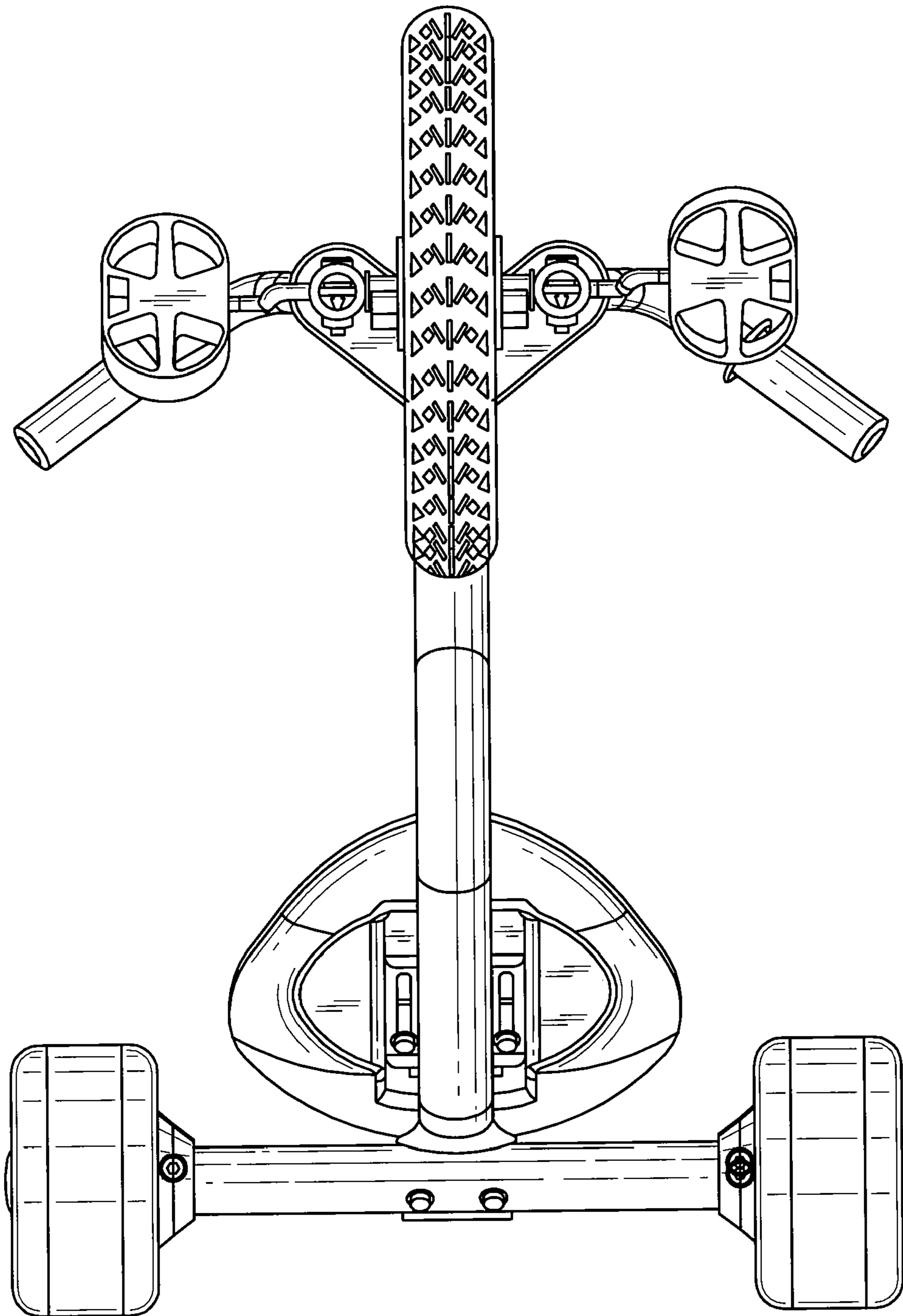


FIG. 5

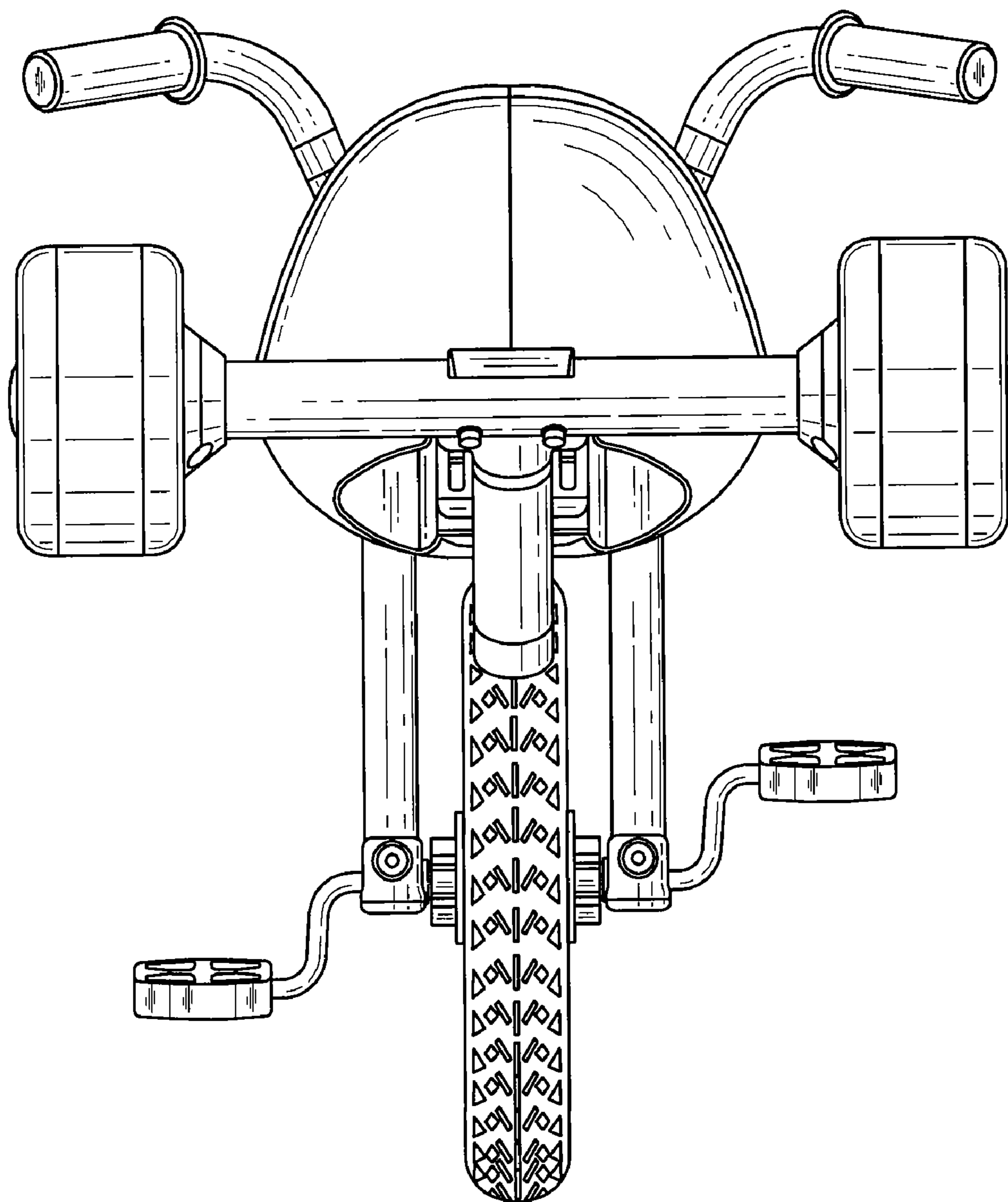


FIG. 6