



US00D582488S

(12) **United States Design Patent**  
**Badanjo**

(10) **Patent No.:** **US D582,488 S**

(45) **Date of Patent:** **\*\* Dec. 9, 2008**

(54) **TRICYCLE WITH REMOVABLE PUSH BAR**

(75) Inventor: **Ariel Badanjo**, Shanghai (CN)

(73) Assignee: **Toymonster Intellectual Property Limited** (VG)

(\*\*) Term: **14 Years**

(21) Appl. No.: **29/299,649**

(22) Filed: **Dec. 31, 2007**

(51) **LOC (8) Cl.** ..... **21-01**

(52) **U.S. Cl.** ..... **D21/435**

(58) **Field of Classification Search** ..... D21/412,  
D21/414, 419, 423-428, 431-435; D12/1,  
D12/107, 110-114, 129, 130, 133; 280/87.01,  
280/87.021, 87.05, 87.051, 47.17, 47.25,  
280/47.34, 47.38, 47.4, 827, 828, 29, 200,  
280/263, 270, 282, 288.4, 291, 293; 297/5;  
482/68

See application file for complete search history.

(56) **References Cited**

**U.S. PATENT DOCUMENTS**

D329,831 S *	9/1992	Chambless	.....	D12/114
D339,090 S *	9/1993	Gardenhour et al.	.....	D12/114
D355,870 S *	2/1995	Dieudonne	.....	D12/112
D377,634 S *	1/1997	DeLeo	.....	D12/114
D384,602 S *	10/1997	Anderberg	.....	D12/114
D392,343 S *	3/1998	Sloss	.....	D21/435
6,089,587 A *	7/2000	Li	.....	280/291
D435,235 S *	12/2000	Matias De Oliveira	.....	D12/112
D473,599 S *	4/2003	Horchler	.....	D21/435
D483,420 S *	12/2003	DeLong et al.	.....	D21/435
D514,476 S *	2/2006	Glenn, II	.....	D12/112
D525,568 S *	7/2006	Baron	.....	D12/112
7,281,725 B1 *	10/2007	Gunter et al.	.....	280/272

D555,045 S \* 11/2007 On ..... D12/112  
2003/0122346 A1 \* 7/2003 Wu ..... 280/291  
2006/0237947 A1 \* 10/2006 Michelau et al. .... 280/293

\* cited by examiner

*Primary Examiner*—Holly H Baynham

*Assistant Examiner*—Cynthia M Chin

(74) *Attorney, Agent, or Firm*—Ostrolenk, Faber, Gerb & Soffen, LLP

(57) **CLAIM**

The ornamental design for a tricycle with removable push bar, as shown and described.

**DESCRIPTION**

FIG. 1 is a perspective view of the tricycle with removable push bar showing my new design;

FIG. 2 is a front view thereof;

FIG. 3 is a right side view thereof, the left side being a mirror image;

FIG. 4 is a top view thereof;

FIG. 5 is a bottom view thereof;

FIG. 6 is a back view thereof;

FIG. 7 is a perspective view of the tricycle of FIG. 1, shown without the removable push bar;

FIG. 8 is a front view of the tricycle shown in FIG. 7;

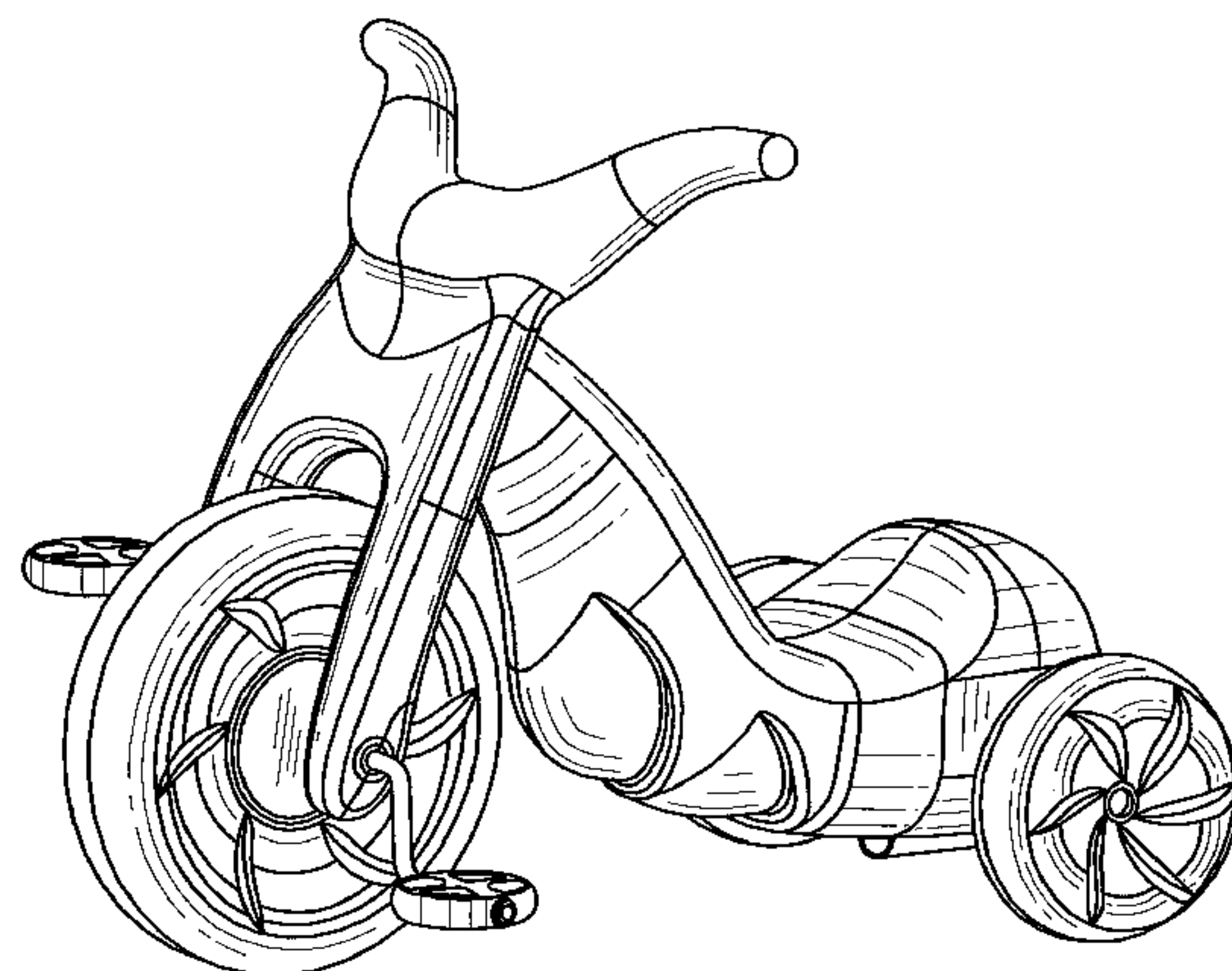
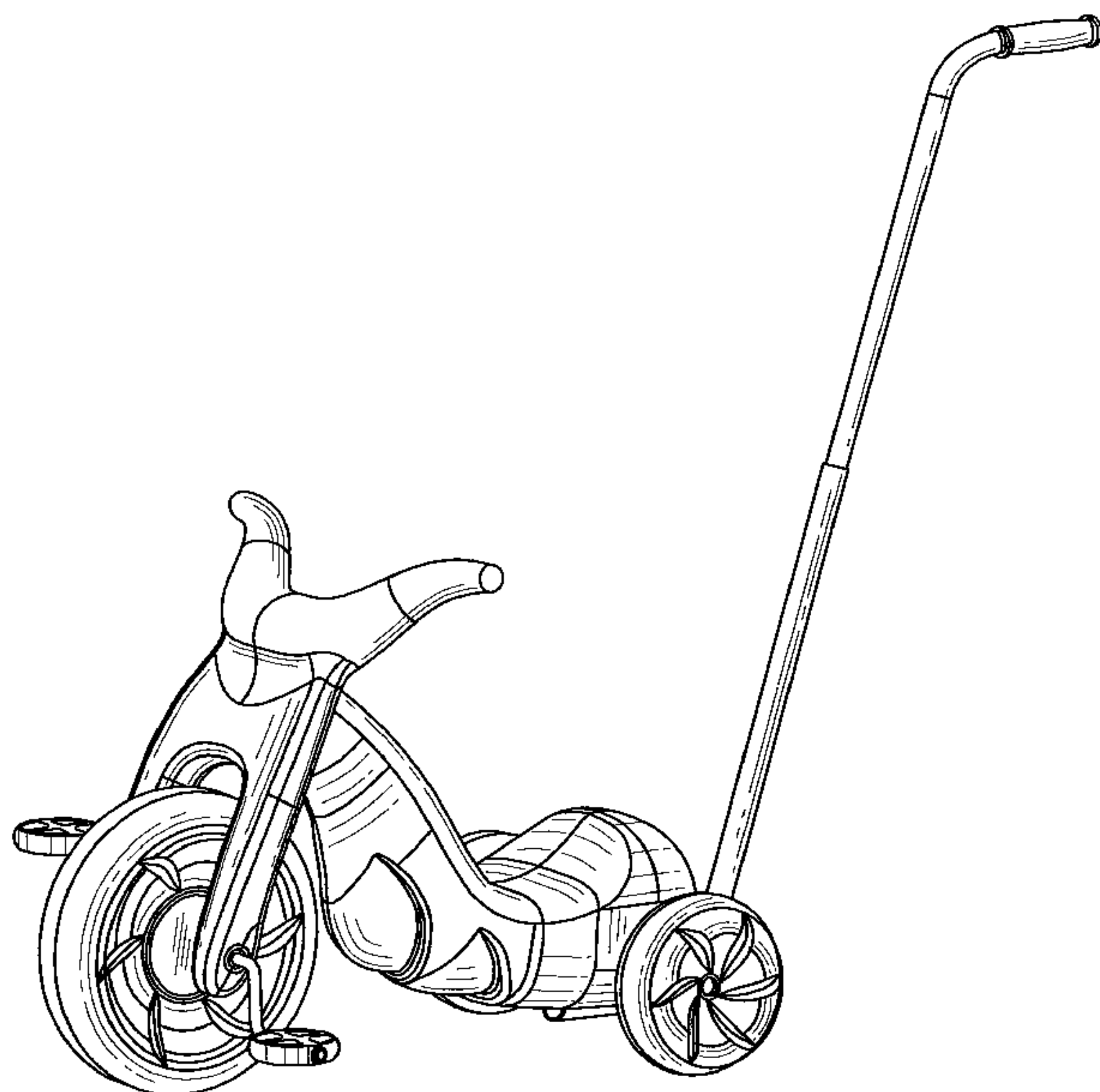
FIG. 9 is a right side view of the tricycle shown in FIG. 7, the left side view being a mirror image;

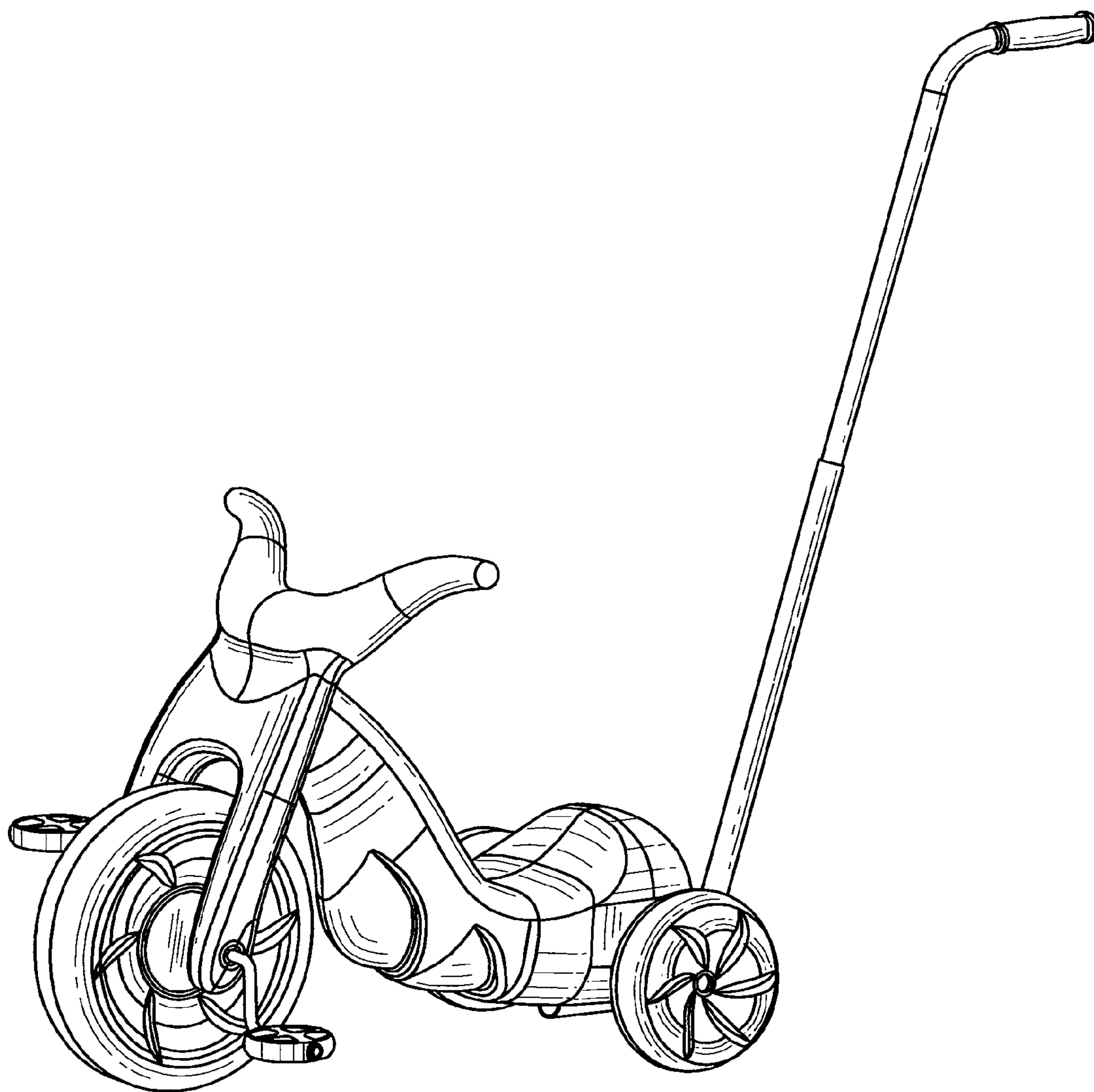
FIG. 10 is a top view of the tricycle shown in FIG. 7;

FIG. 11 is a bottom view of the tricycle shown in FIG. 7; and,

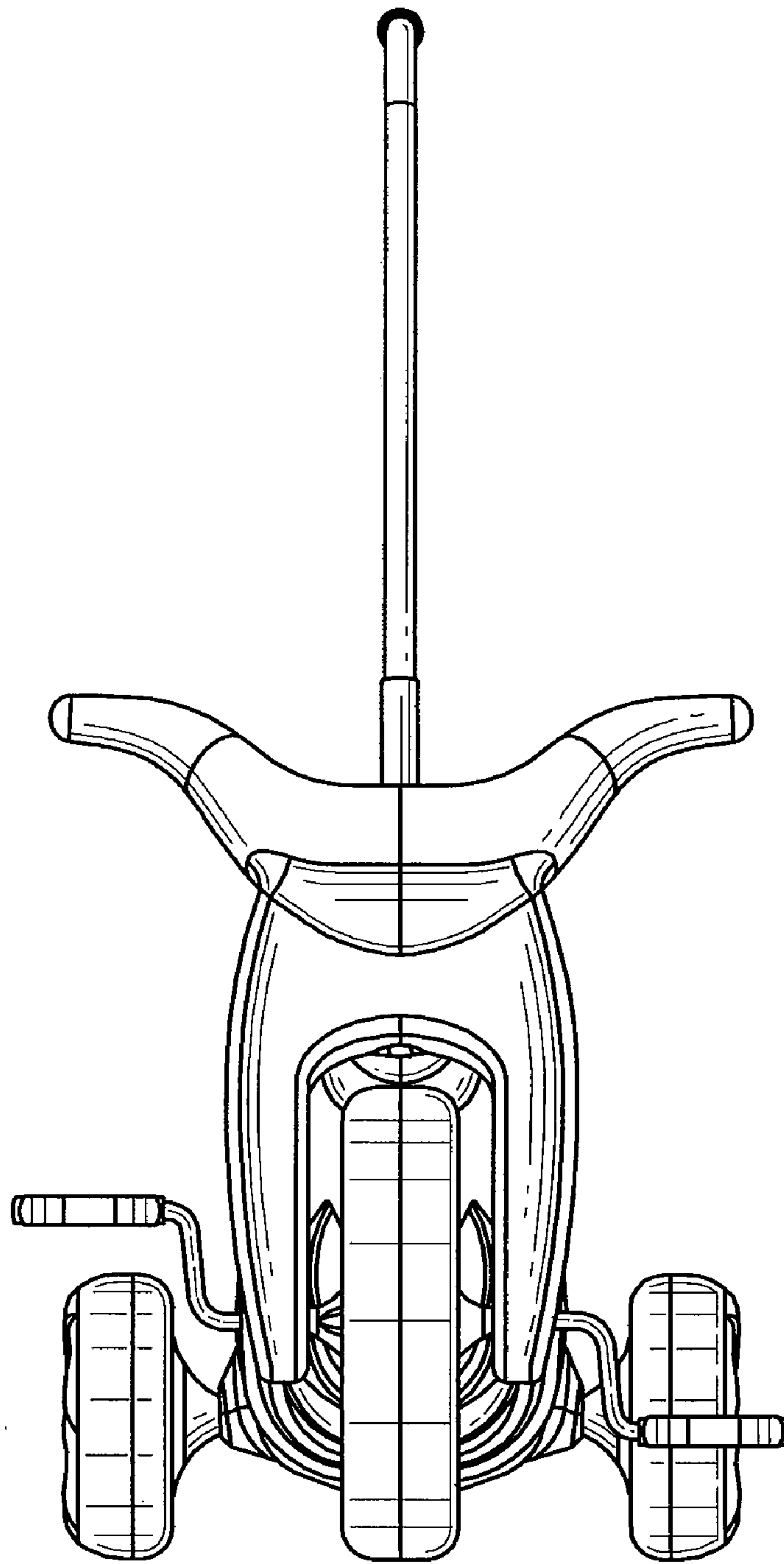
FIG. 12 is a back view of the tricycle shown in FIG. 7.

**1 Claim, 12 Drawing Sheets**





*FIG. 1*



*FIG. 2*

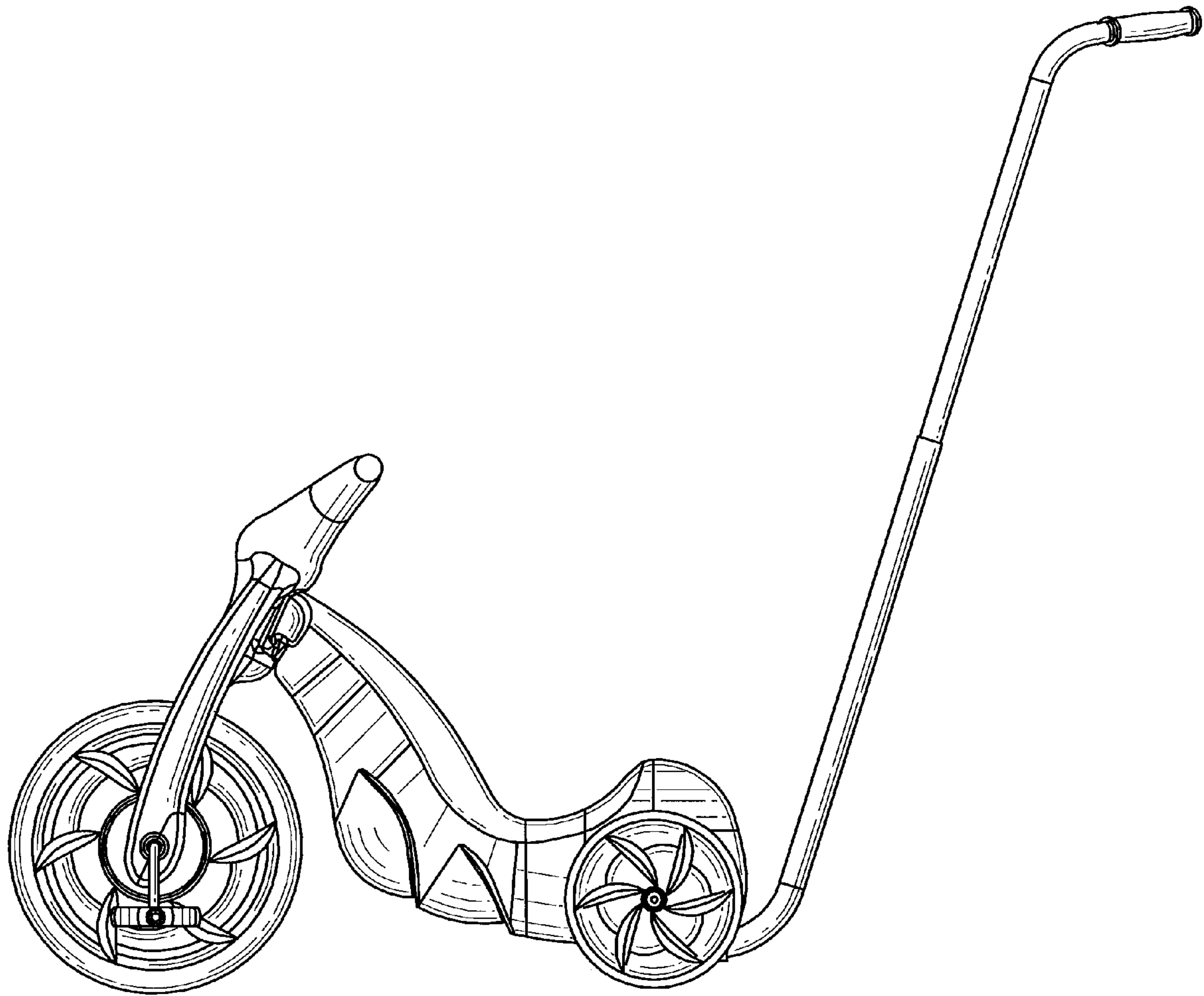


FIG. 3



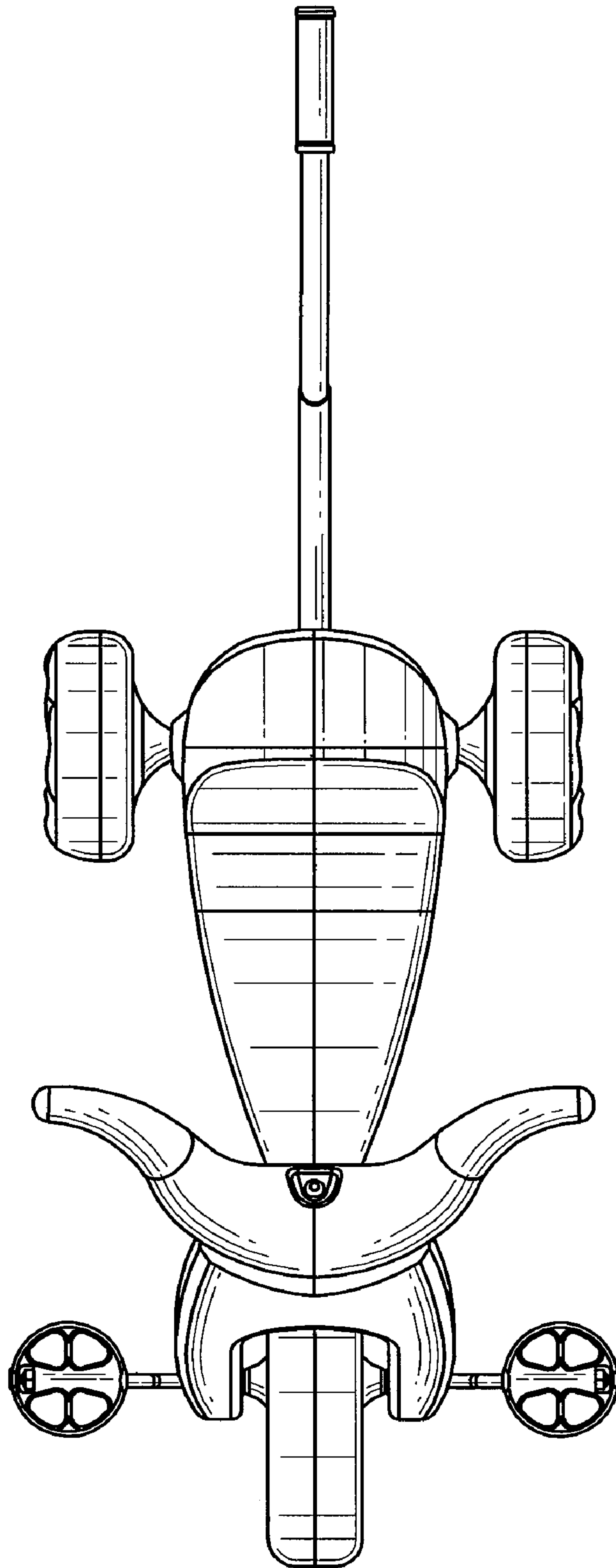


FIG. 4

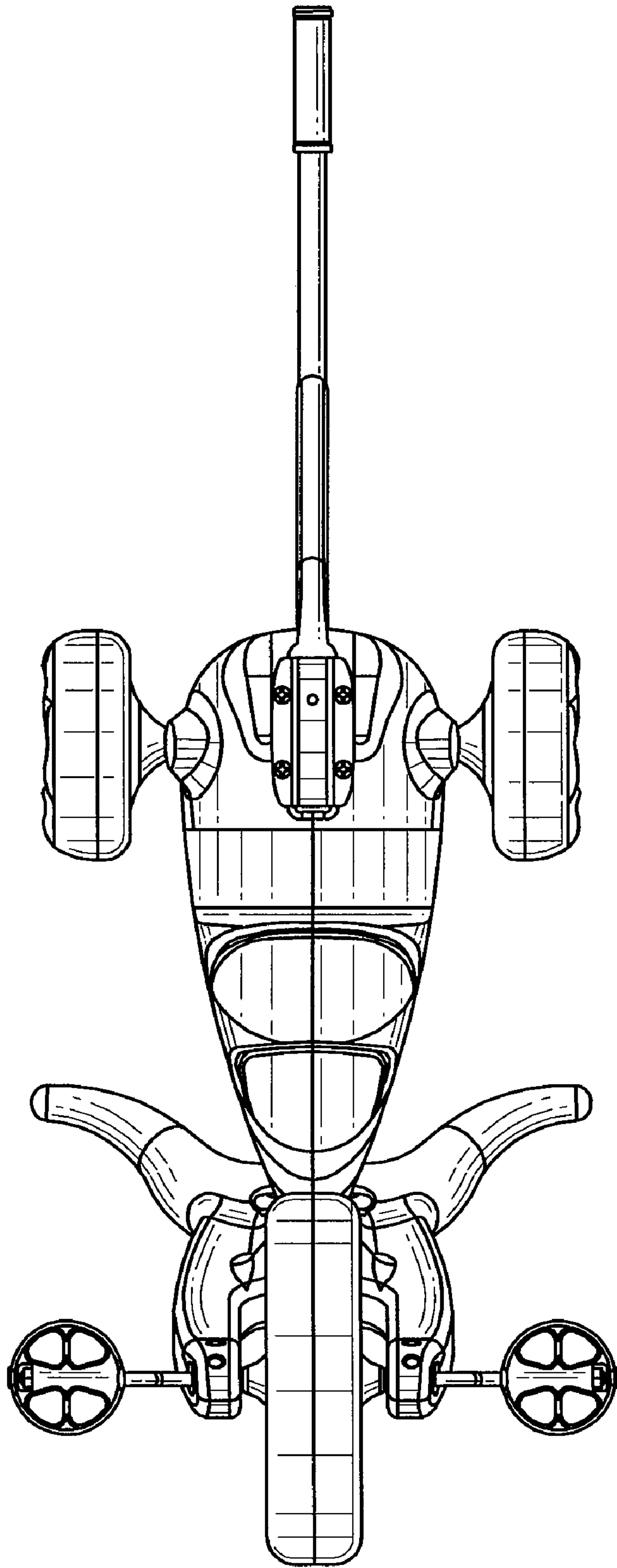
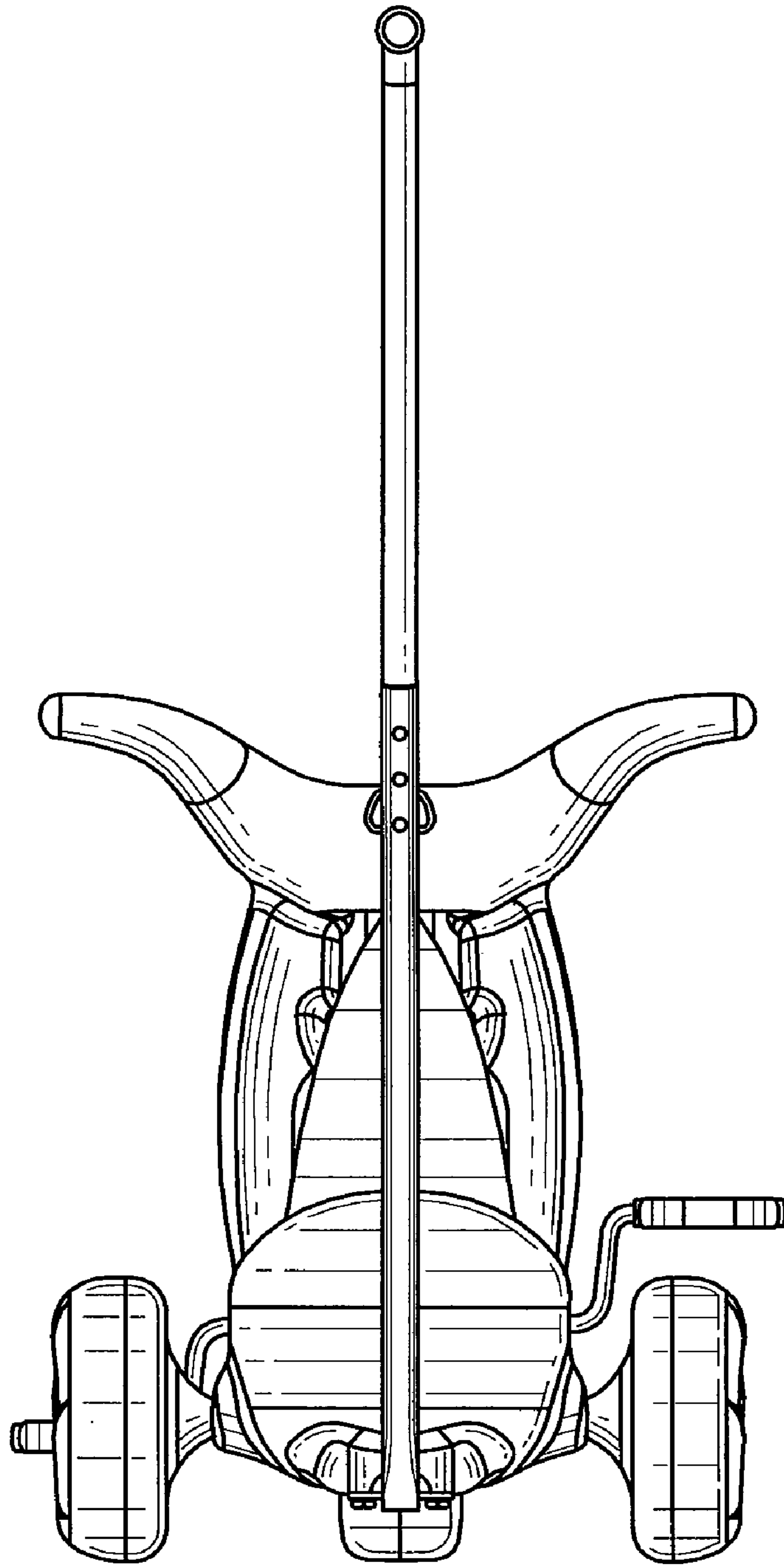
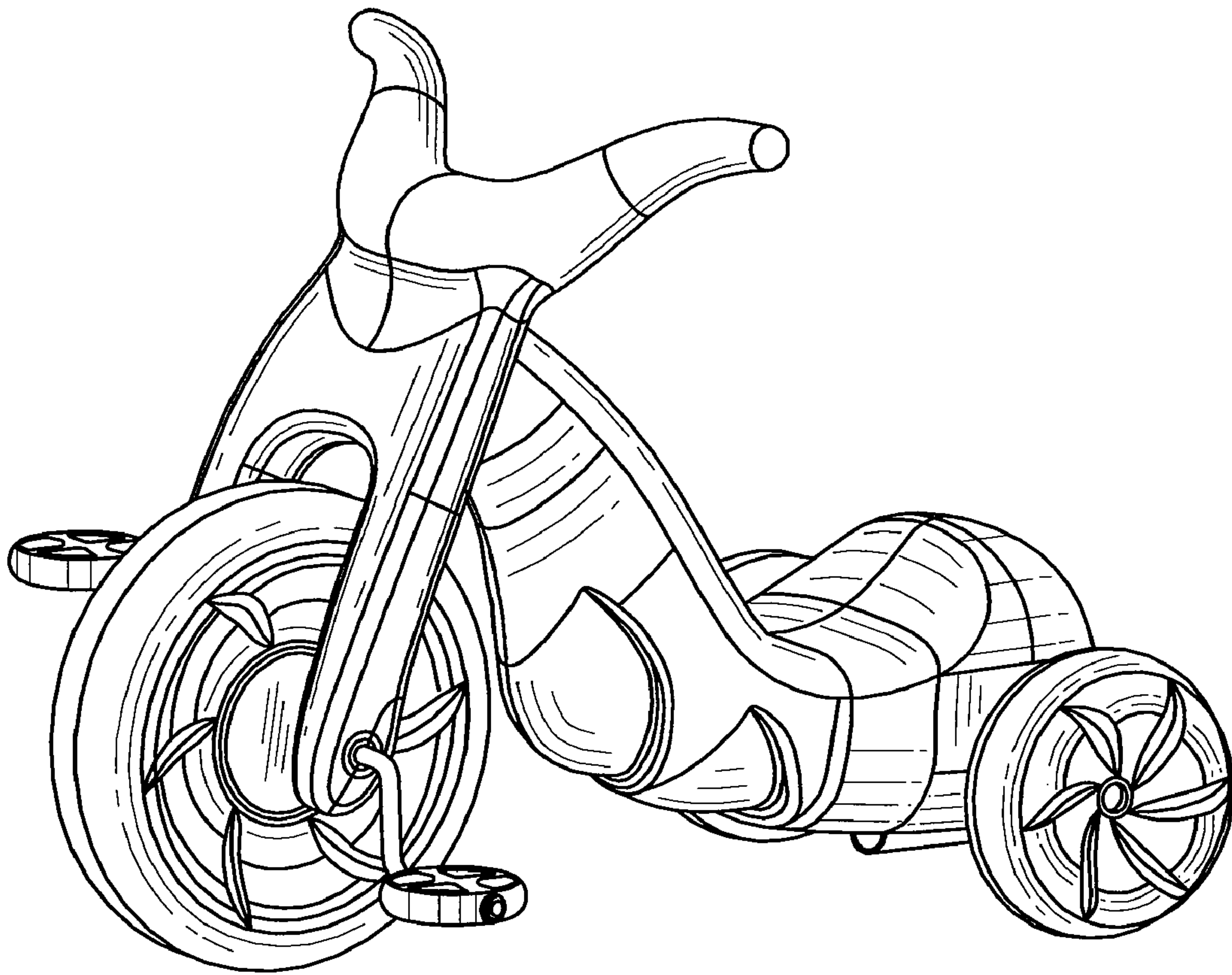


FIG. 5

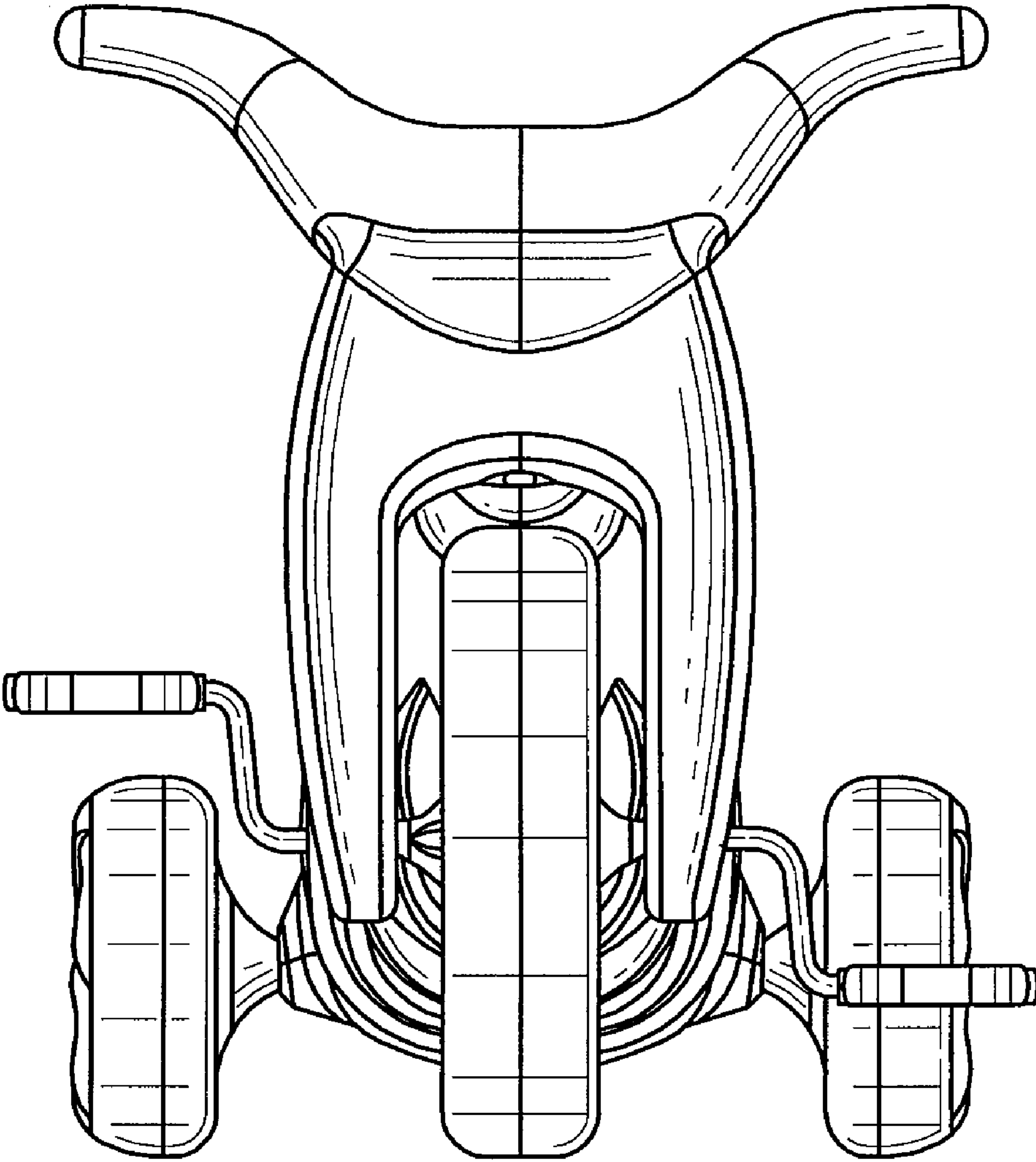


*FIG. 6*

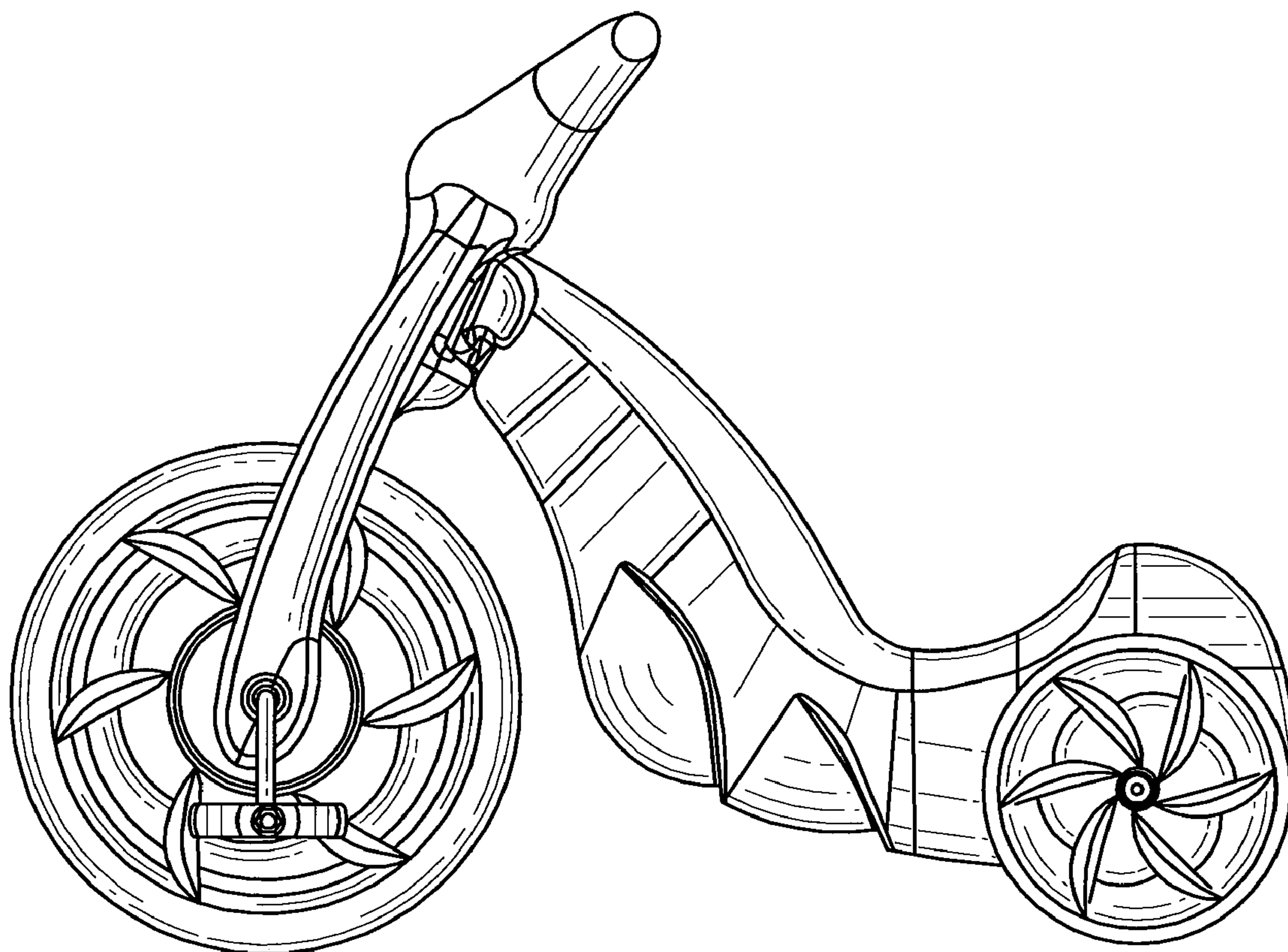


*FIG. 7*

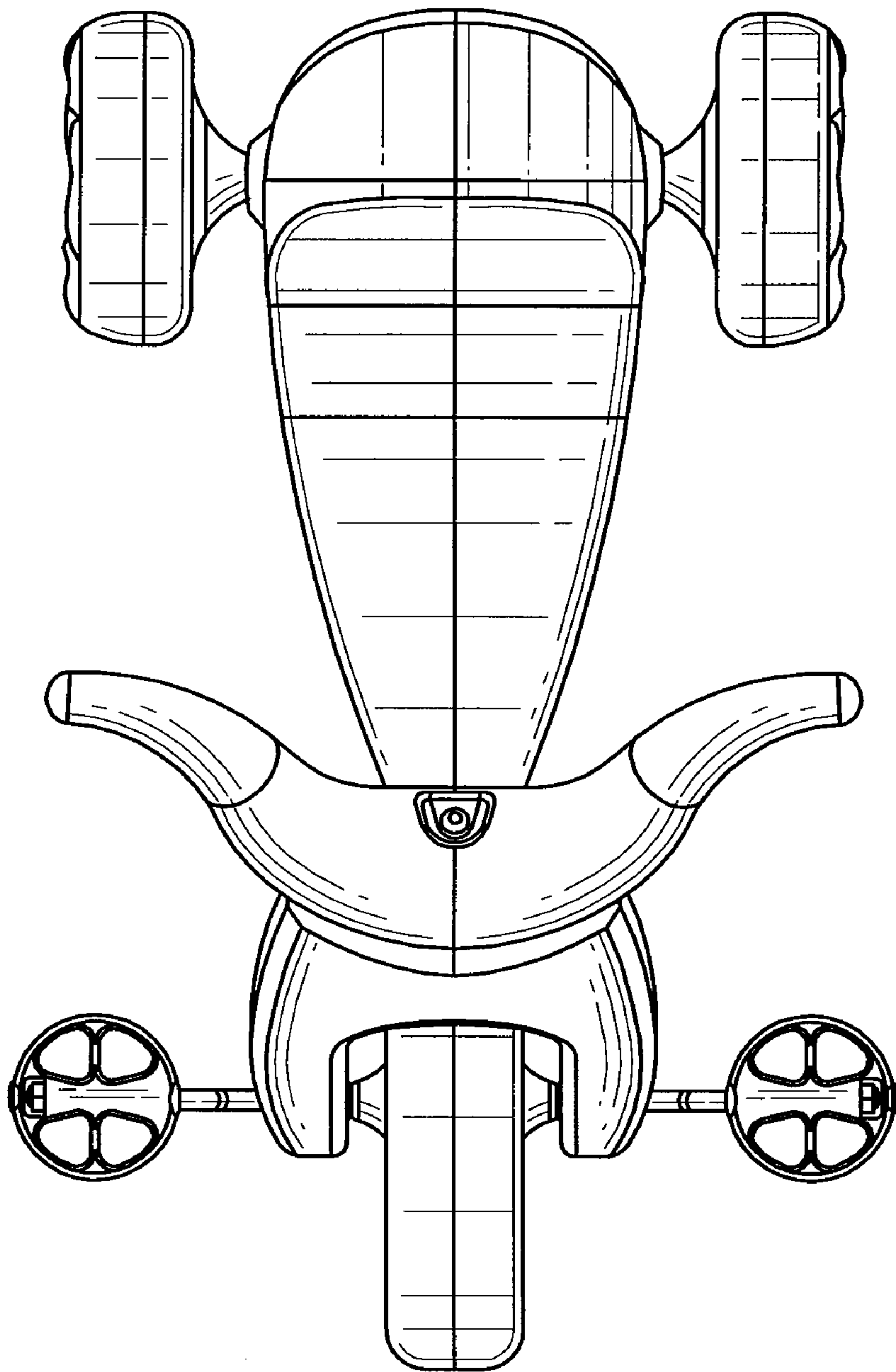




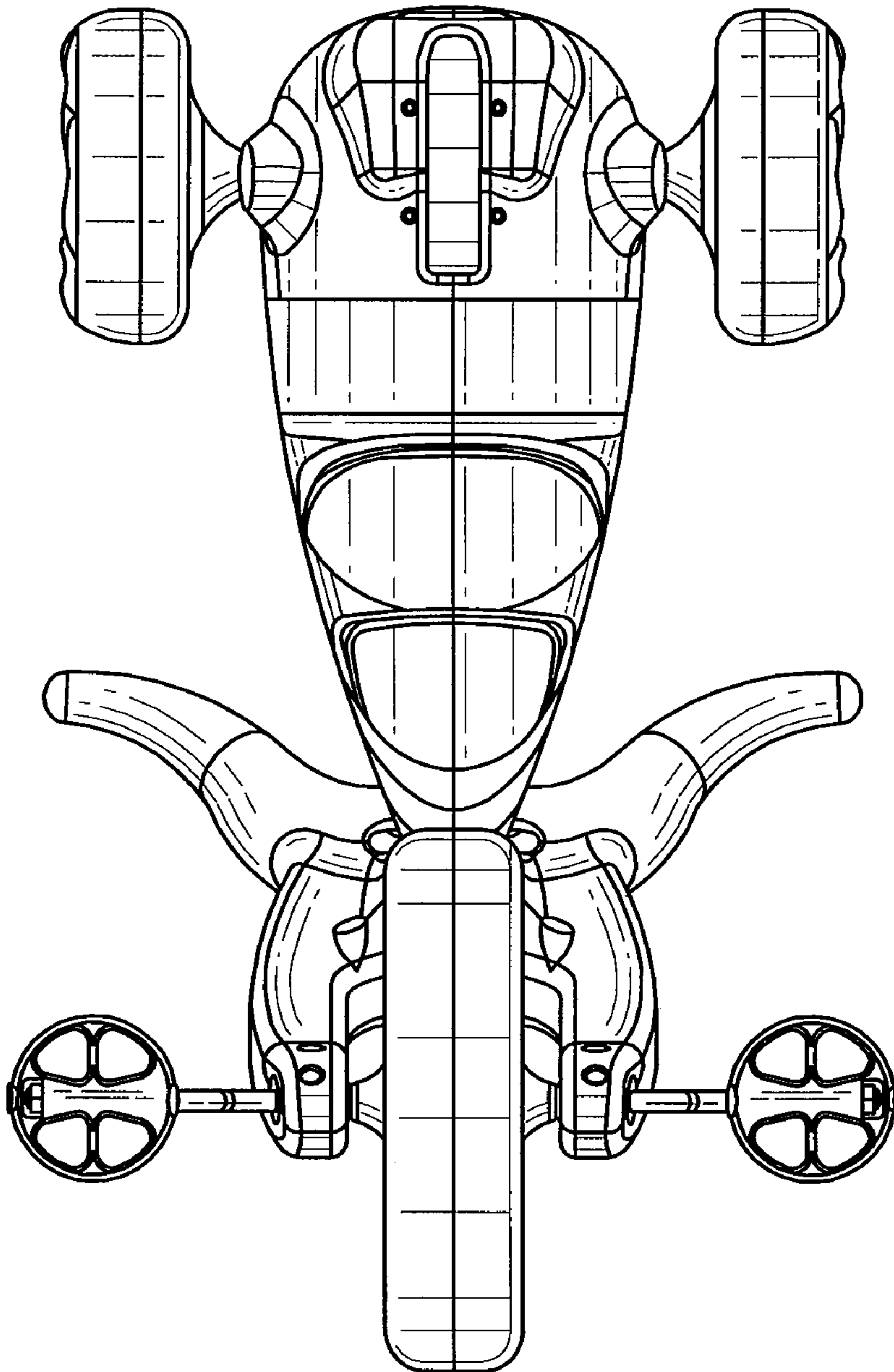
*FIG. 8*



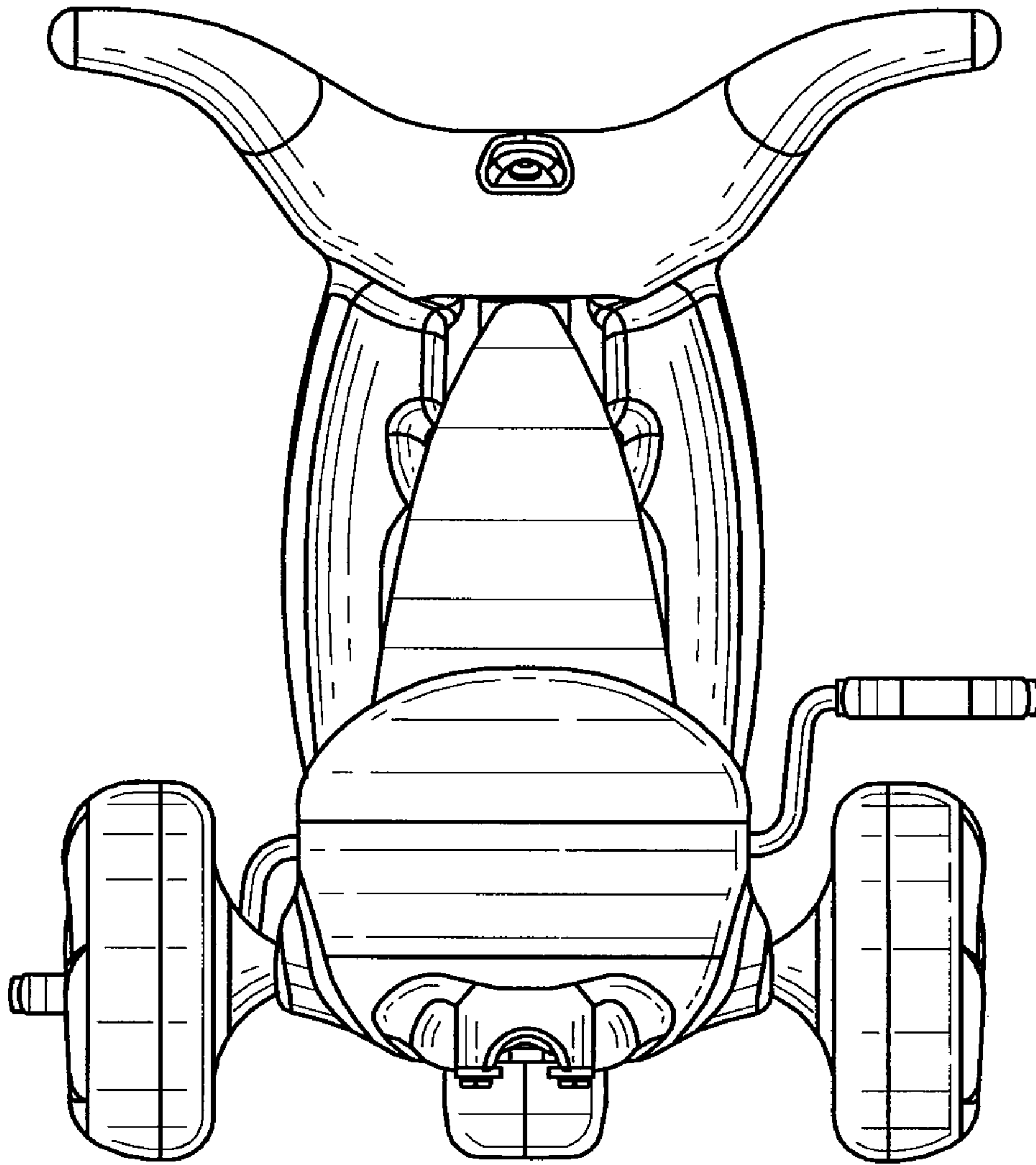
*FIG. 9*



*FIG. 10*



*FIG. 11*



*FIG. 12*