



US00D582487S

(12) **United States Design Patent**
Badanjo

(10) **Patent No.:** **US D582,487 S**
(45) **Date of Patent:** **** Dec. 9, 2008**

(54) **TOY TRACTOR AND TRAILER**

(75) Inventor: **Ariel Badanjo**, Shanghai (CN)

(73) Assignee: **Toymonster Intellectual Property Limited** (VG)

(**) Term: **14 Years**

(21) Appl. No.: **29/299,653**

(22) Filed: **Dec. 31, 2007**

(51) **LOC (8) Cl.** **21-01**

(52) **U.S. Cl.** **D21/431**

(58) **Field of Classification Search** D21/419,
D21/422, 426, 427, 433, 537, 554, 559; D15/10,
D15/15, 23, 26; 446/431, 433, 434; 280/827,
280/828, 87.01, 87.021, 87.03, 87.051, 47.37,
280/47.38, 47.4

See application file for complete search history.

(56) **References Cited**

U.S. PATENT DOCUMENTS

2,786,305 A * 3/1957 Carter 446/434
D271,315 S * 11/1983 Nottingham et al. D21/431
D277,770 S * 2/1985 Mariol D21/431
D382,024 S * 8/1997 Ewringmann D21/431
D478,131 S * 8/2003 Schneider D21/431

D479,565 S * 9/2003 Schneider D21/431
D484,552 S * 12/2003 Schneider D21/431
D484,924 S * 1/2004 Schneider D21/431
2006/0105669 A1 * 5/2006 Ewringmann 446/434

* cited by examiner

Primary Examiner—Holly H Baynham

Assistant Examiner—Cynthia M Chin

(74) *Attorney, Agent, or Firm*—Ostrolenk, Faber, Gerb & Soffen, LLP

(57) **CLAIM**

The ornamental design for a toy tractor and trailer, as shown and described.

DESCRIPTION

FIG. 1 is a perspective view of a farmer tracker and trailer showing my new design;

FIG. 2 is a front view thereof;

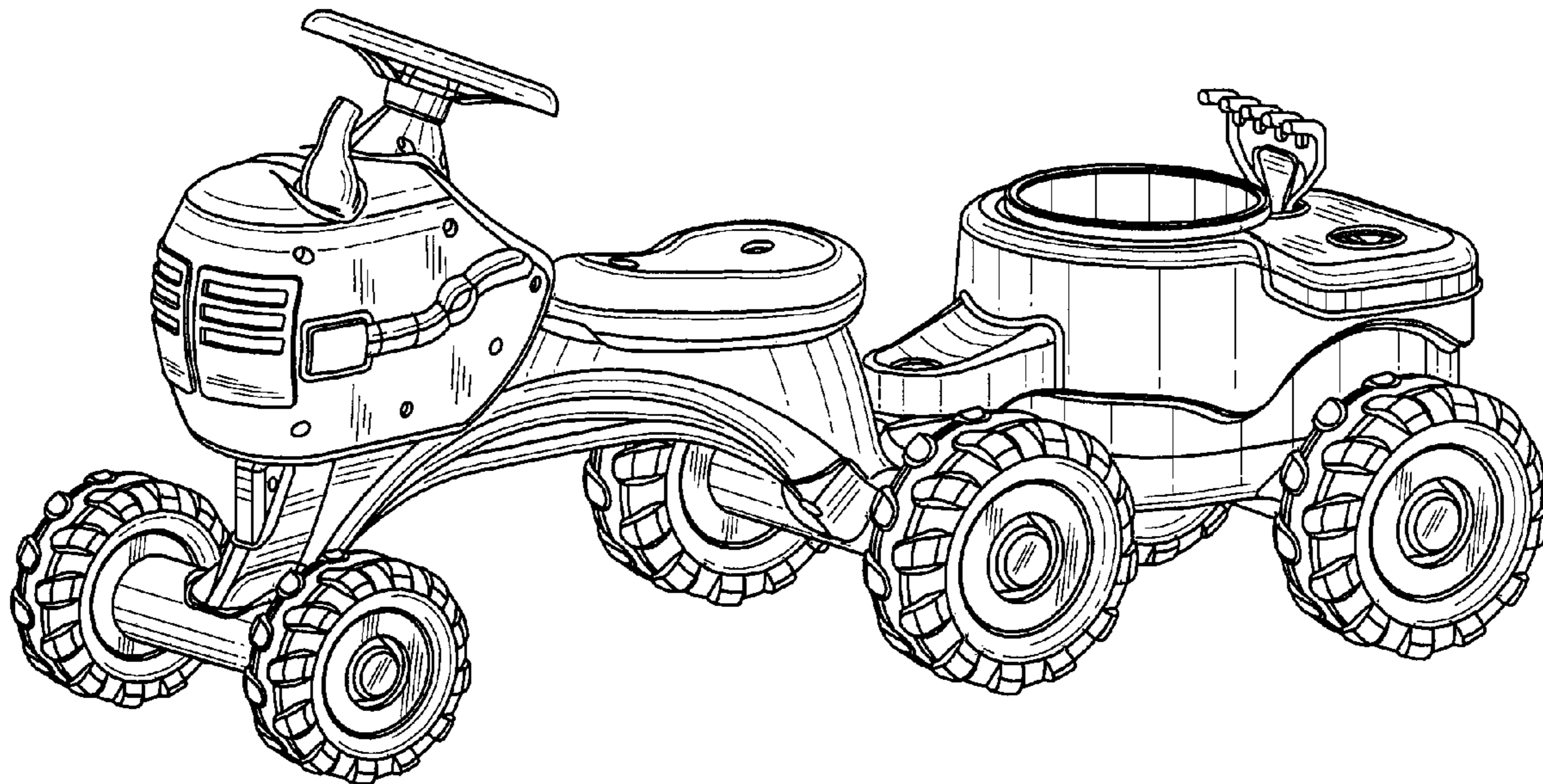
FIG. 3 is a right side view thereof, the left side view being a mirror image with the exception of the exhaust mounted on the front right-hand side of the tractor hood;

FIG. 4 is a top view thereof;

FIG. 5 is a bottom view thereof; and,

FIG. 6 is a back view thereof.

1 Claim, 6 Drawing Sheets



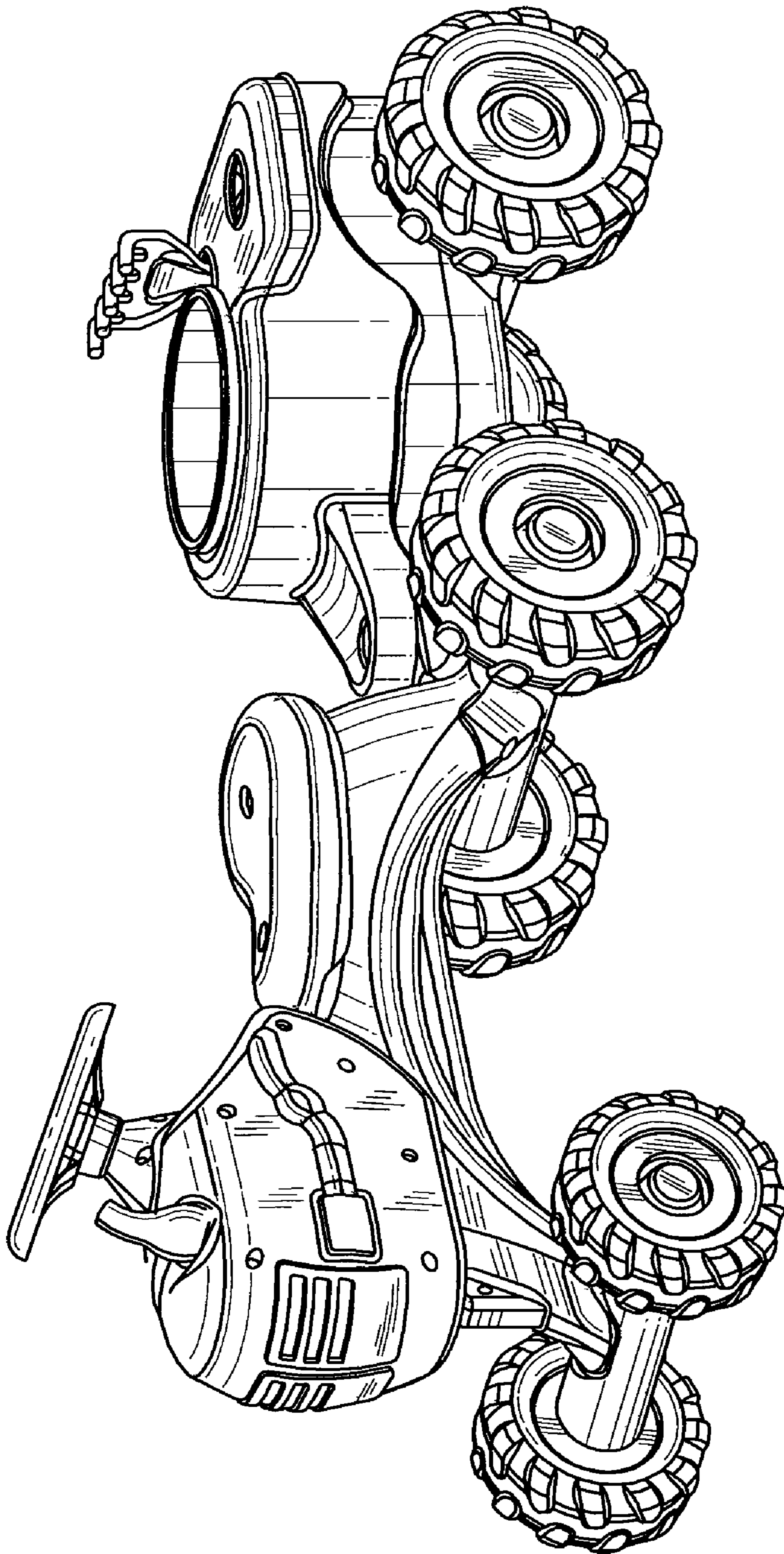


FIG. 1

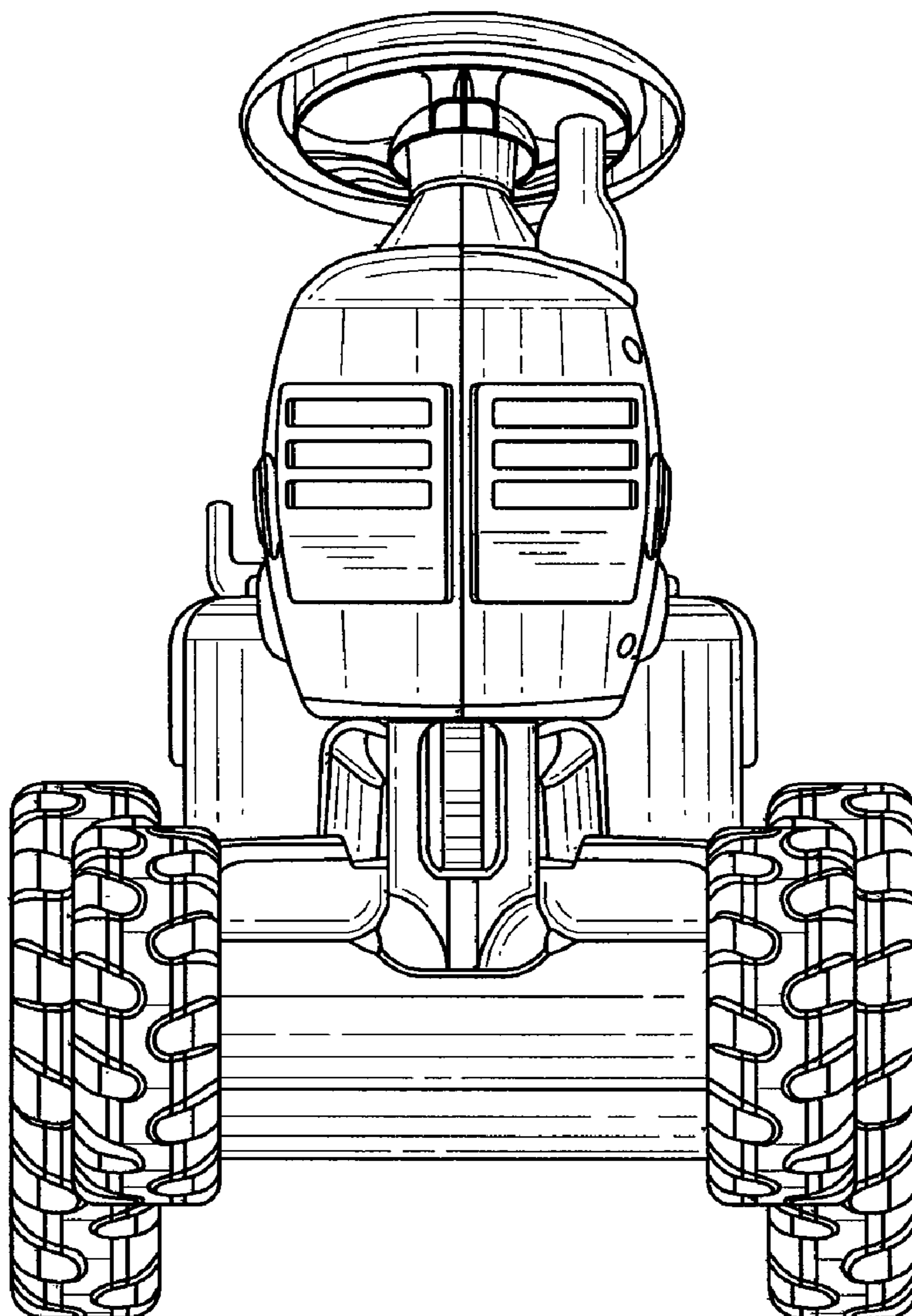


FIG. 2

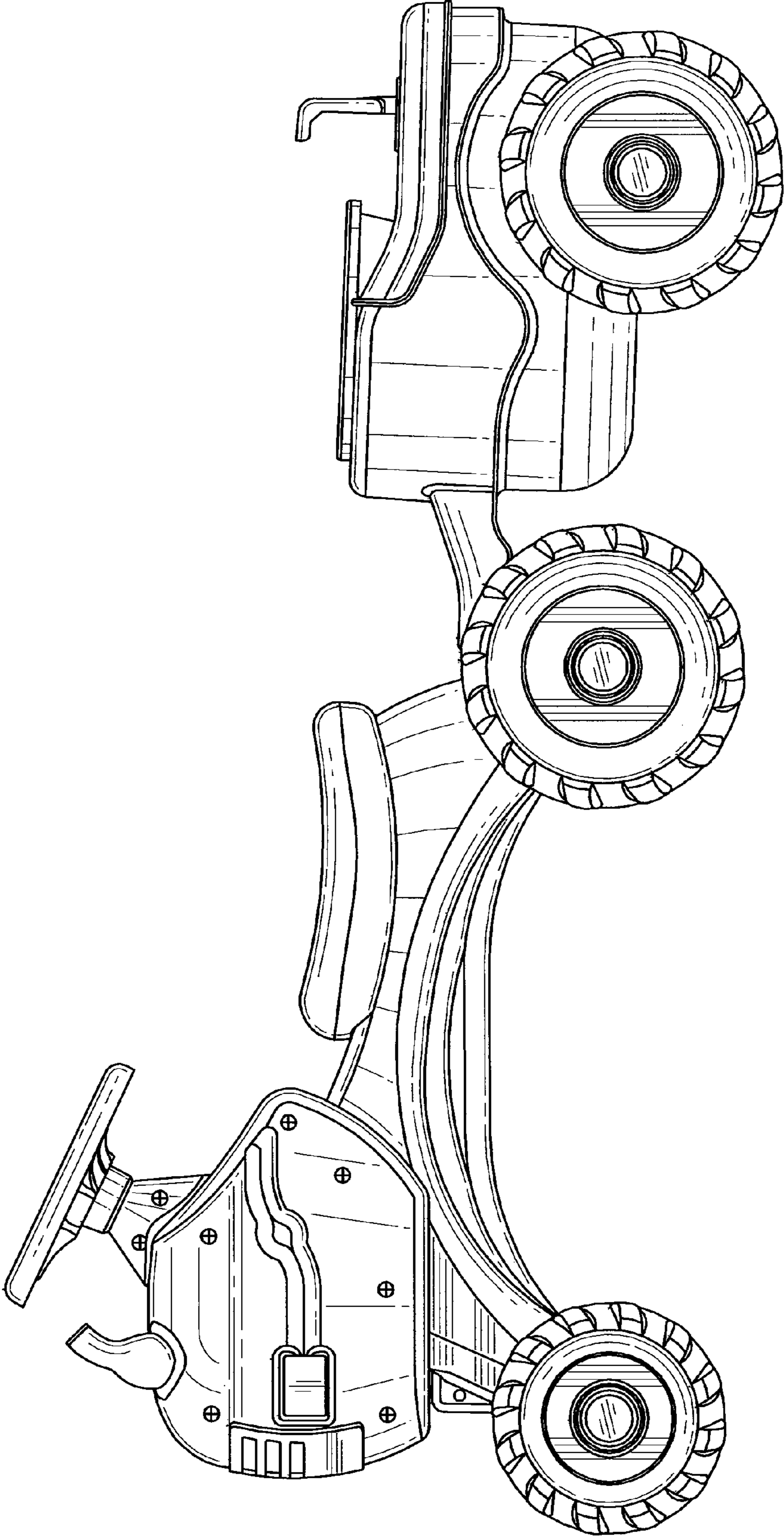


FIG. 3

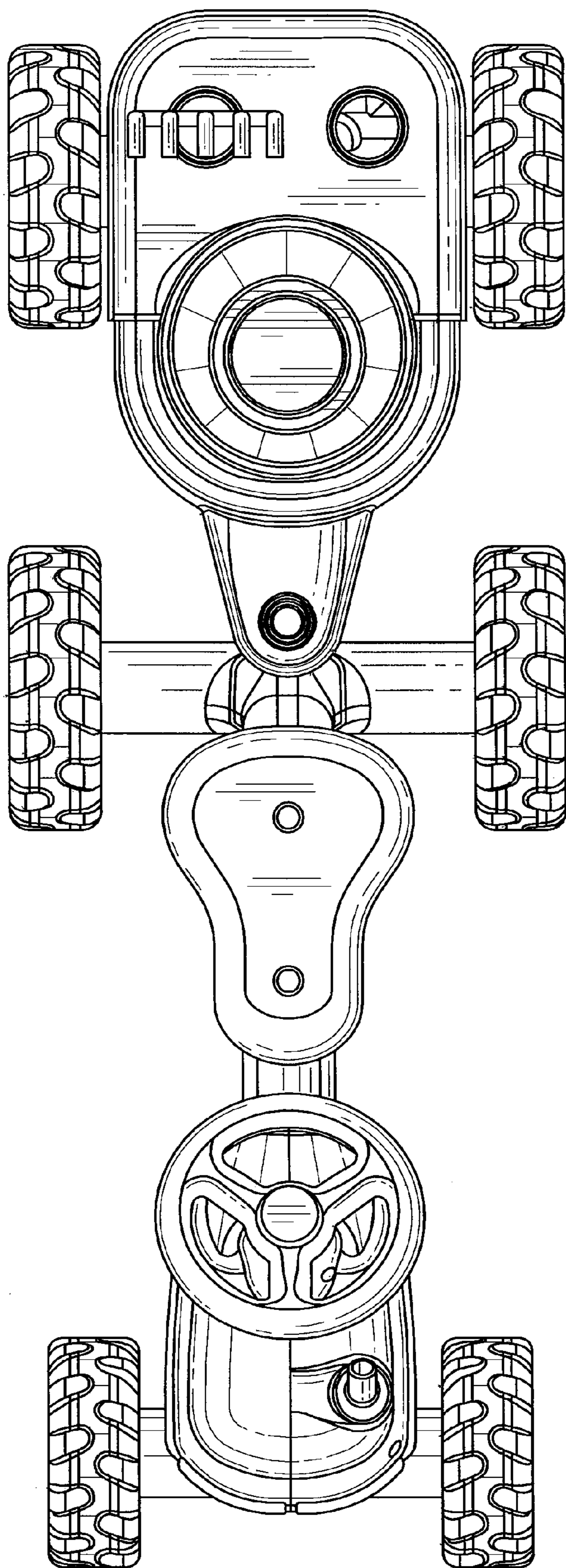


FIG. 4

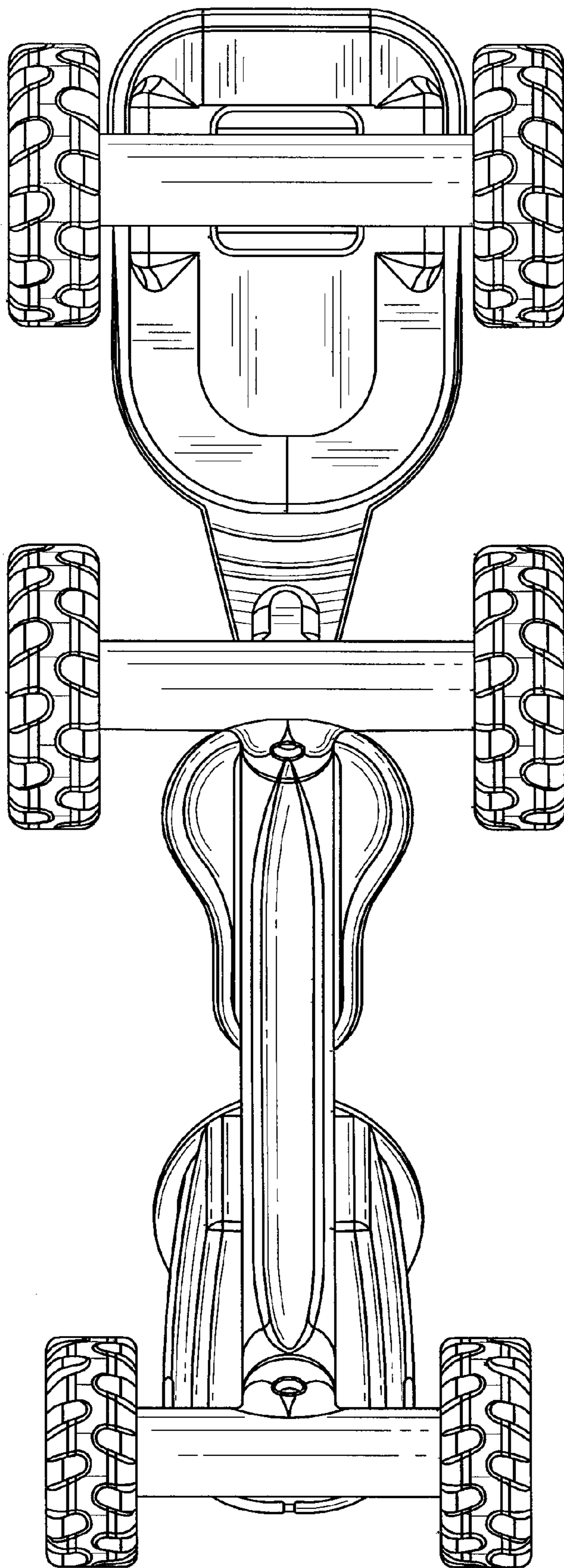


FIG. 5

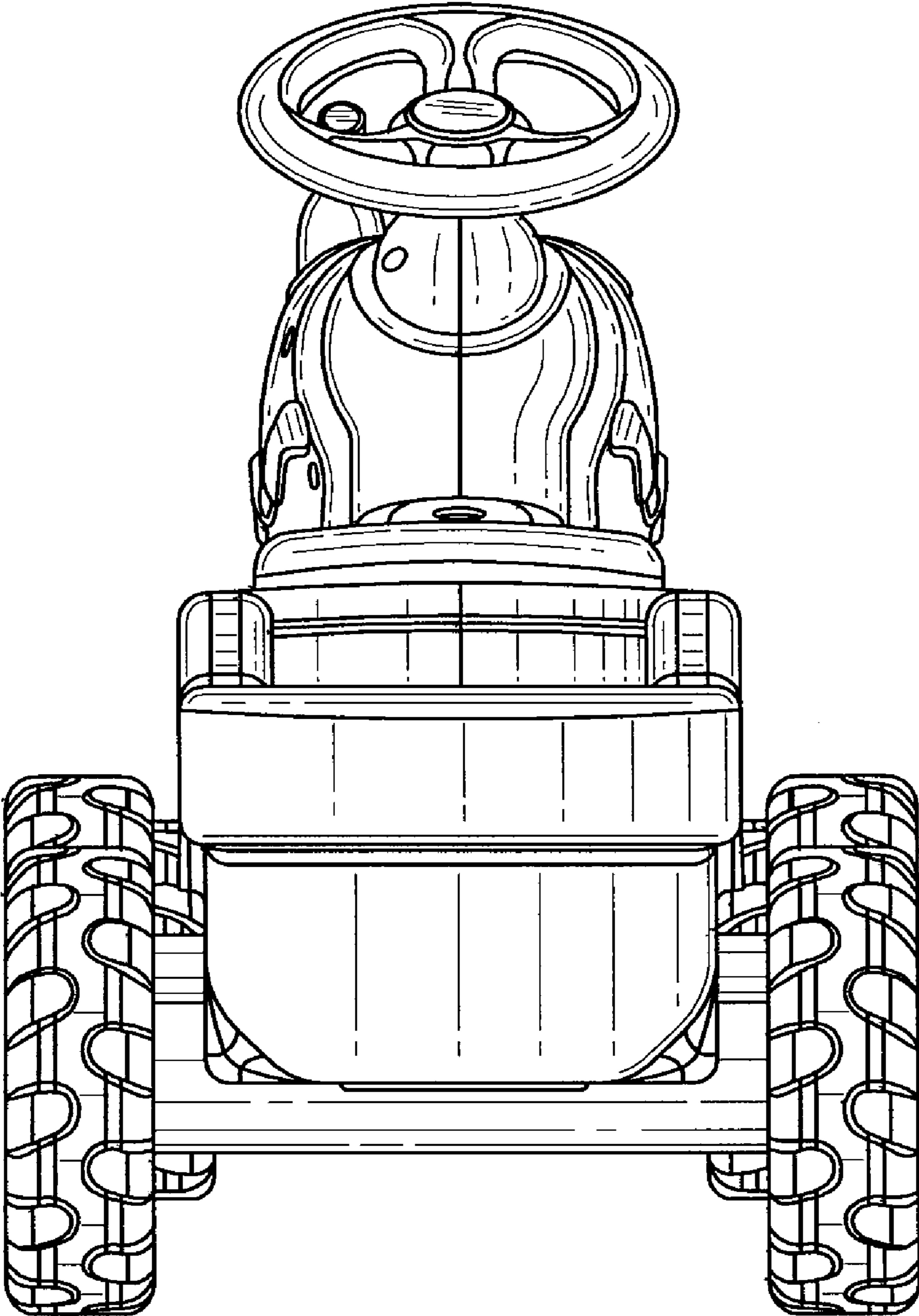


FIG. 6