



US00D582486S

(12) **United States Design Patent**
Ashida et al.

(10) **Patent No.:** **US D582,486 S**
(45) **Date of Patent:** **** Dec. 9, 2008**

(54) **SUPPORT BASE OF A STAND FOR ELECTRONIC GAME MACHINE**

Primary Examiner—Prabhakar Deshmukh
(74) *Attorney, Agent, or Firm*—Nixon & Vanderhye, PC

(75) Inventors: **Kenichiro Ashida**, Kyoto (JP); **Junji Takamoto**, Kyoto (JP); **Noboru Wakitani**, Kyoto (JP); **Masato Ibuki**, Kyoto (JP); **Shinji Yamamoto**, Kyoto (JP); **Fumiyoshi Suetake**, Kyoto (JP); **Akiko Suga**, Kyoto (JP)

(57) **CLAIM**

The ornamental design for a support base of a stand for electronic game machine, as shown and described.

(73) Assignee: **Nintendo Co., Ltd.**, Kyoto (JP)

DESCRIPTION

(**) Term: **14 Years**

(21) Appl. No.: **29/270,710**

(22) Filed: **Jan. 3, 2007**

(30) **Foreign Application Priority Data**

Sep. 26, 2006 (JP) 2006-025688
Sep. 26, 2006 (JP) 2006-025689

FIG. 1 is a front, top and right perspective view of a support base of a stand for electronic game machine showing our new design;

FIG. 2 is a rear, bottom and left perspective view thereof;

FIG. 3 is a top plan view thereof;

FIG. 4 is a bottom plan view thereof;

FIG. 5 is a front view thereof;

FIG. 6 is a rear view thereof;

(51) **LOC (8) Cl.** **21-01**

(52) **U.S. Cl.** **D21/333; D14/434**

(58) **Field of Classification Search** D21/324,
D21/328, 333; D14/433, 434, 447, 356;
273/148 B, 148 R; 463/46, 47; 379/454,
379/455; 361/679, 686; 345/156-161

FIG. 7 is a right side view thereof, a left side view being a mirror image thereof;

FIG. 8 is a first reference perspective view showing a state that a stand for electronic game machine is attached onto this support base while viewed from the front, top and right sides;

FIG. 9 is a second reference perspective view showing the state that the stand for electronic game machine is attached onto the support base while viewed from the rear, bottom and left sides;

See application file for complete search history.

FIG. 10 is a third reference perspective view showing a state that an electronic game machine is put on the stand attached onto the support base while viewed from the front, top and right sides; and,

FIG. 11 is a fourth reference perspective view showing the state that the electronic game machine is put on the stand attached onto the support base while viewed from the rear, bottom and left sides.

(56) **References Cited**

U.S. PATENT DOCUMENTS

D300,678 S * 4/1989 Barrault D32/73
D338,882 S * 8/1993 Reiter D14/447
D358,144 S * 5/1995 Masaaki D14/447
D358,364 S * 5/1995 Siddoway D13/108
D376,585 S * 12/1996 Wathen et al. D14/434
D463,799 S * 10/2002 Goto D14/447
6,647,248 B1 * 11/2003 Ortscheid et al. 455/575.1
6,735,309 B1 * 5/2004 Lemanski et al. 379/454
D494,634 S * 8/2004 Soga D21/333
6,912,125 B2 * 6/2005 Weng 361/686
D521,927 S * 5/2006 Franck et al. D13/108
D540,328 S * 4/2007 Hussaini et al. D14/434
D558,209 S * 12/2007 Ikeda et al. D14/434

The broken lines showing the stand and electronic game machine are for illustrative purposes only and form no part of the claimed designed.

* cited by examiner

1 Claim, 6 Drawing Sheets

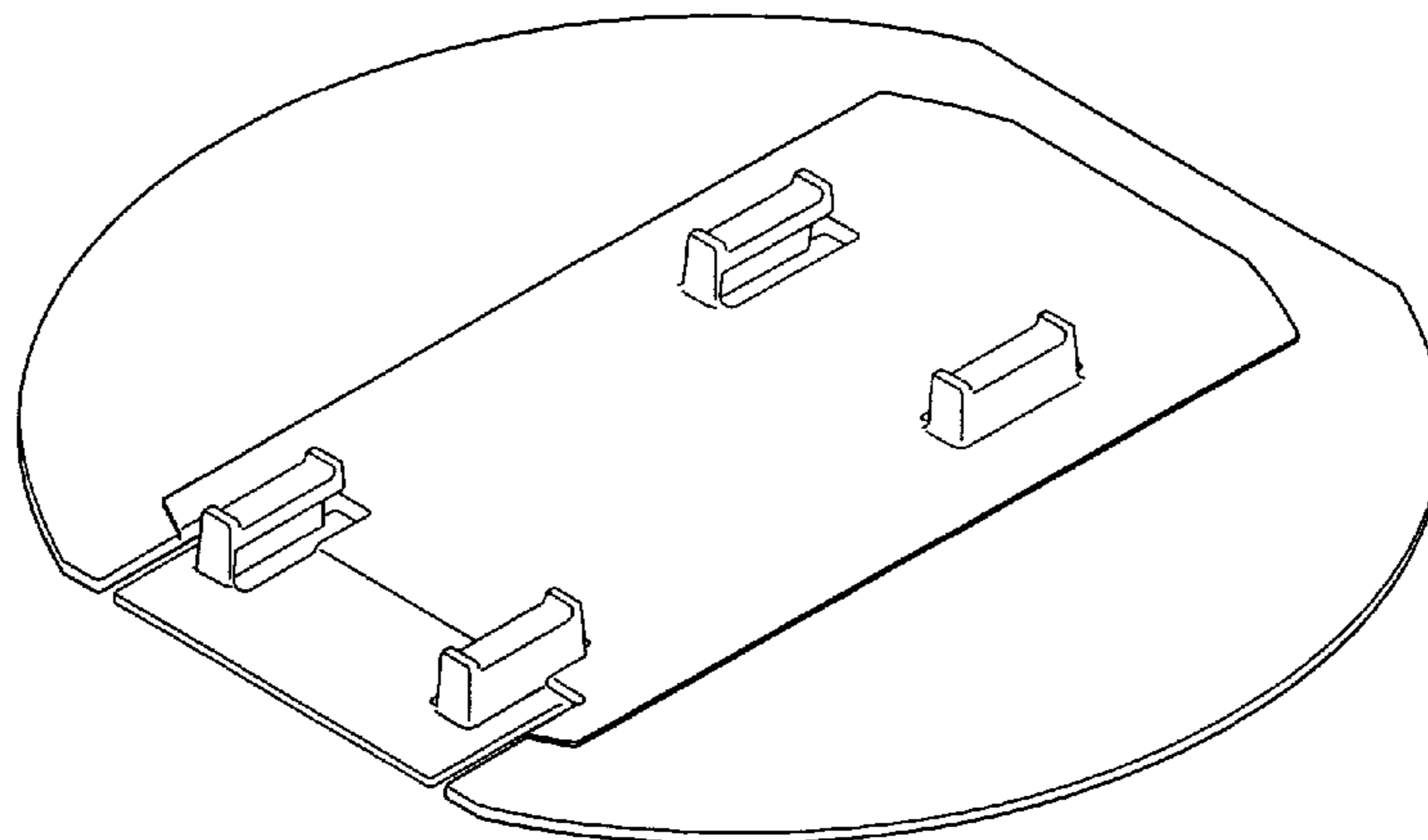


FIG. 1

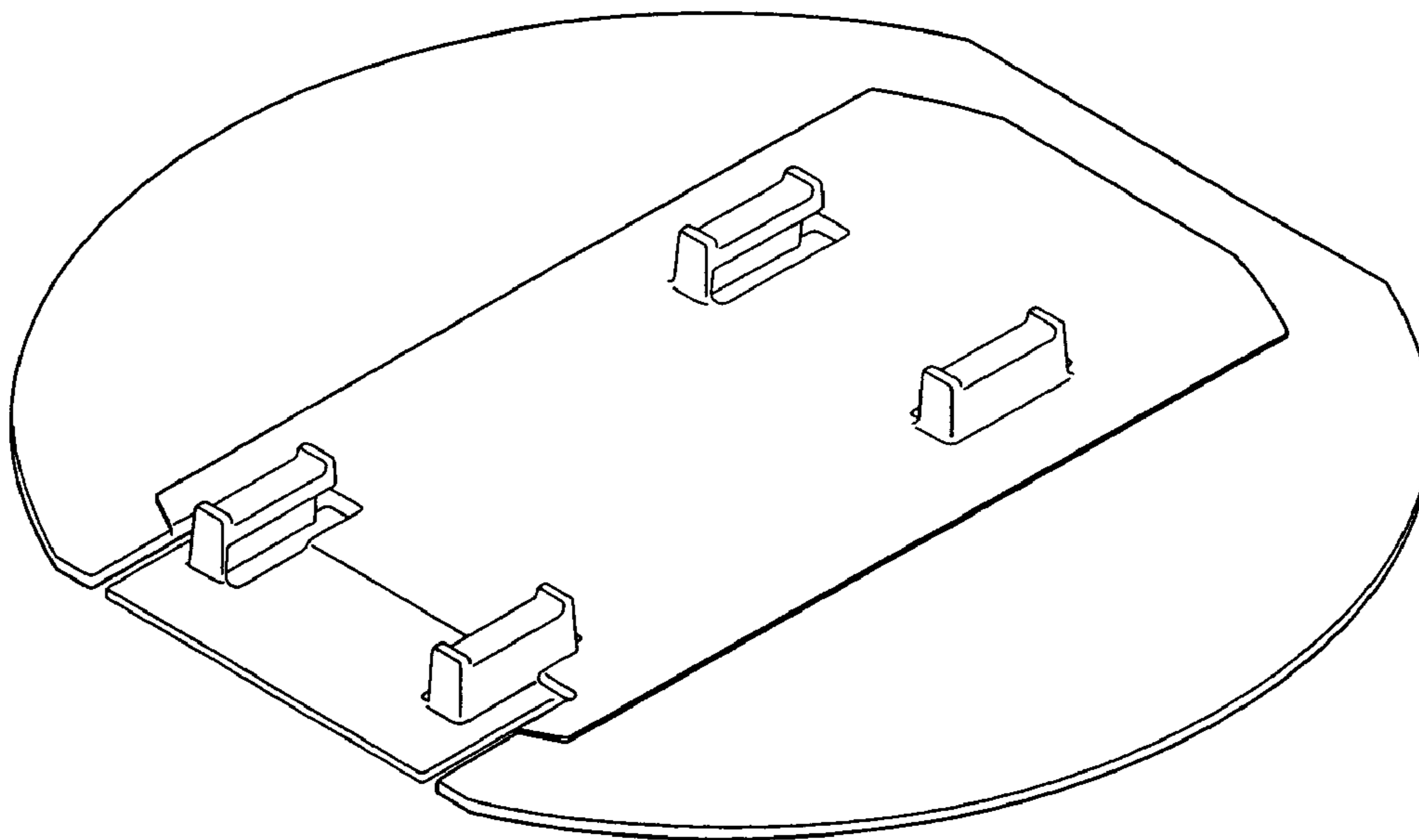


FIG. 2

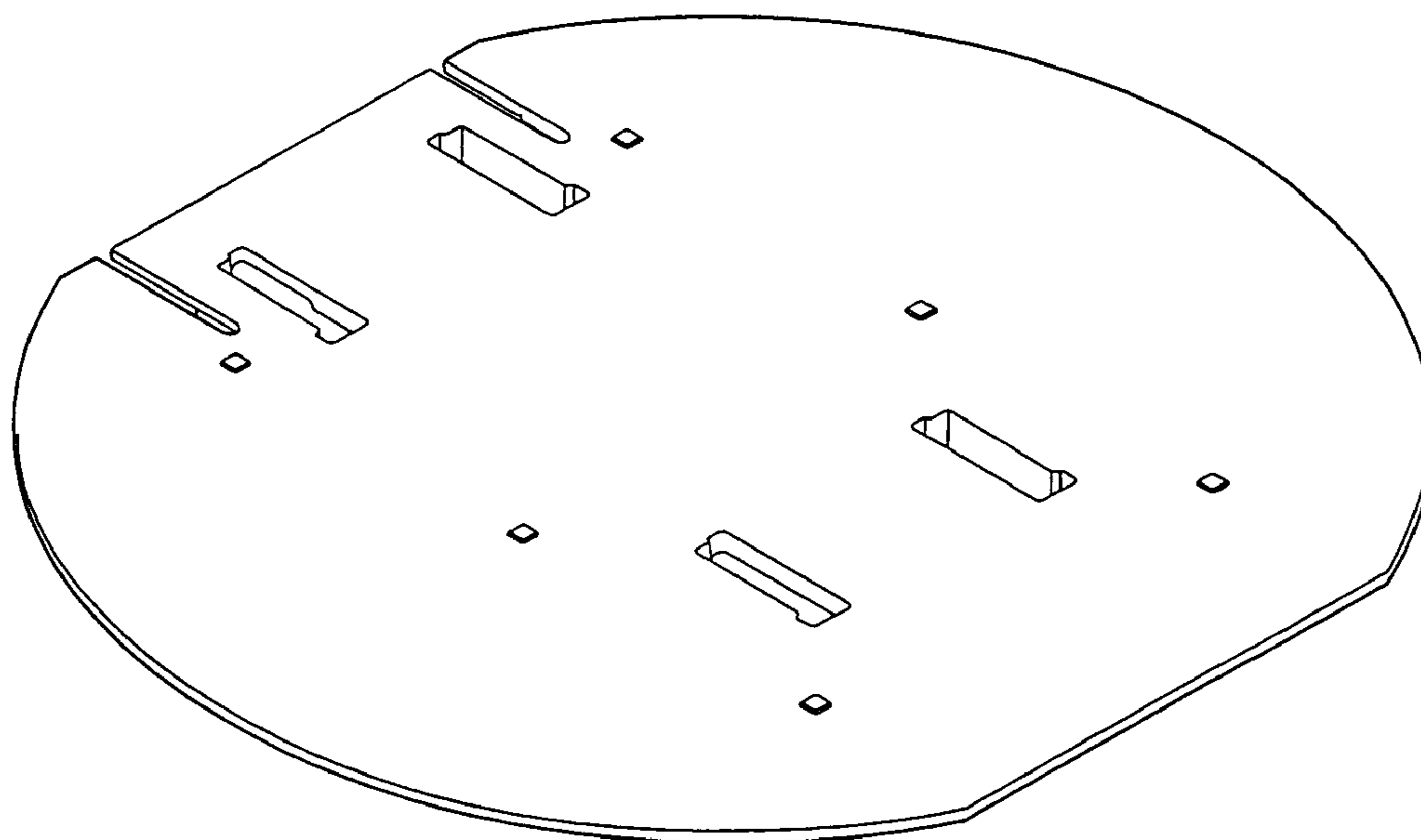


FIG. 3

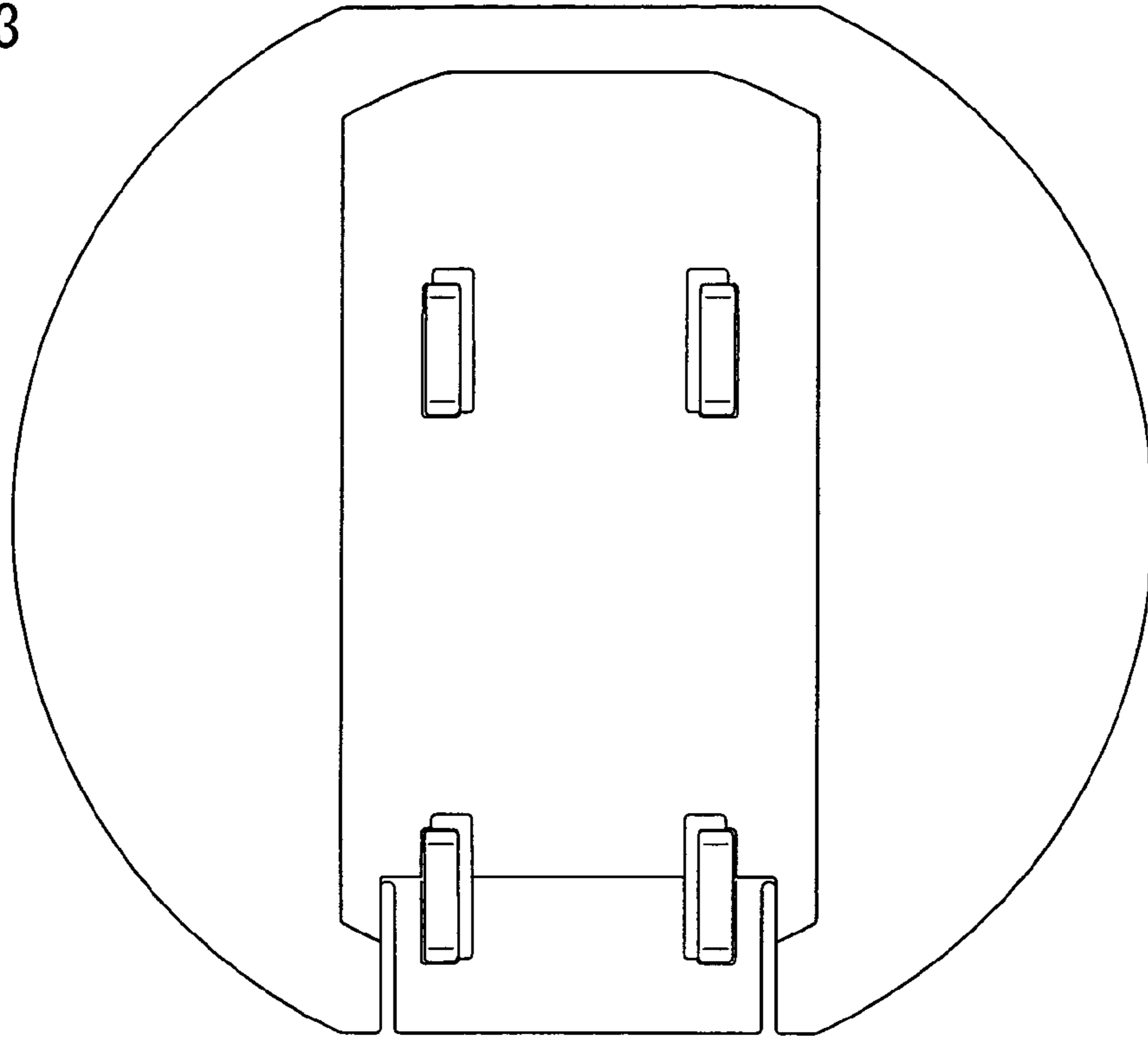


FIG. 4

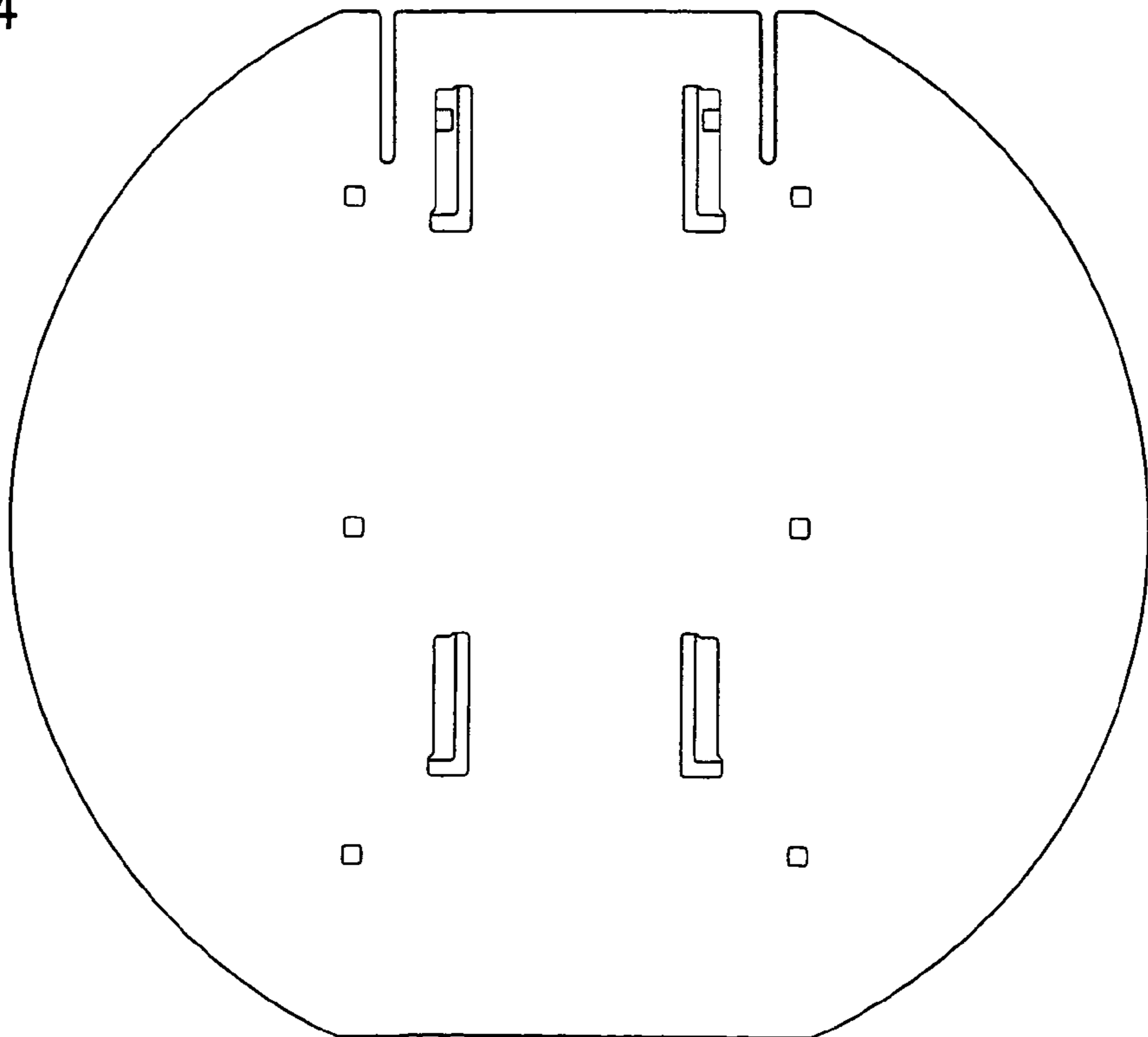


FIG. 5



FIG. 6



FIG. 7



FIG. 8

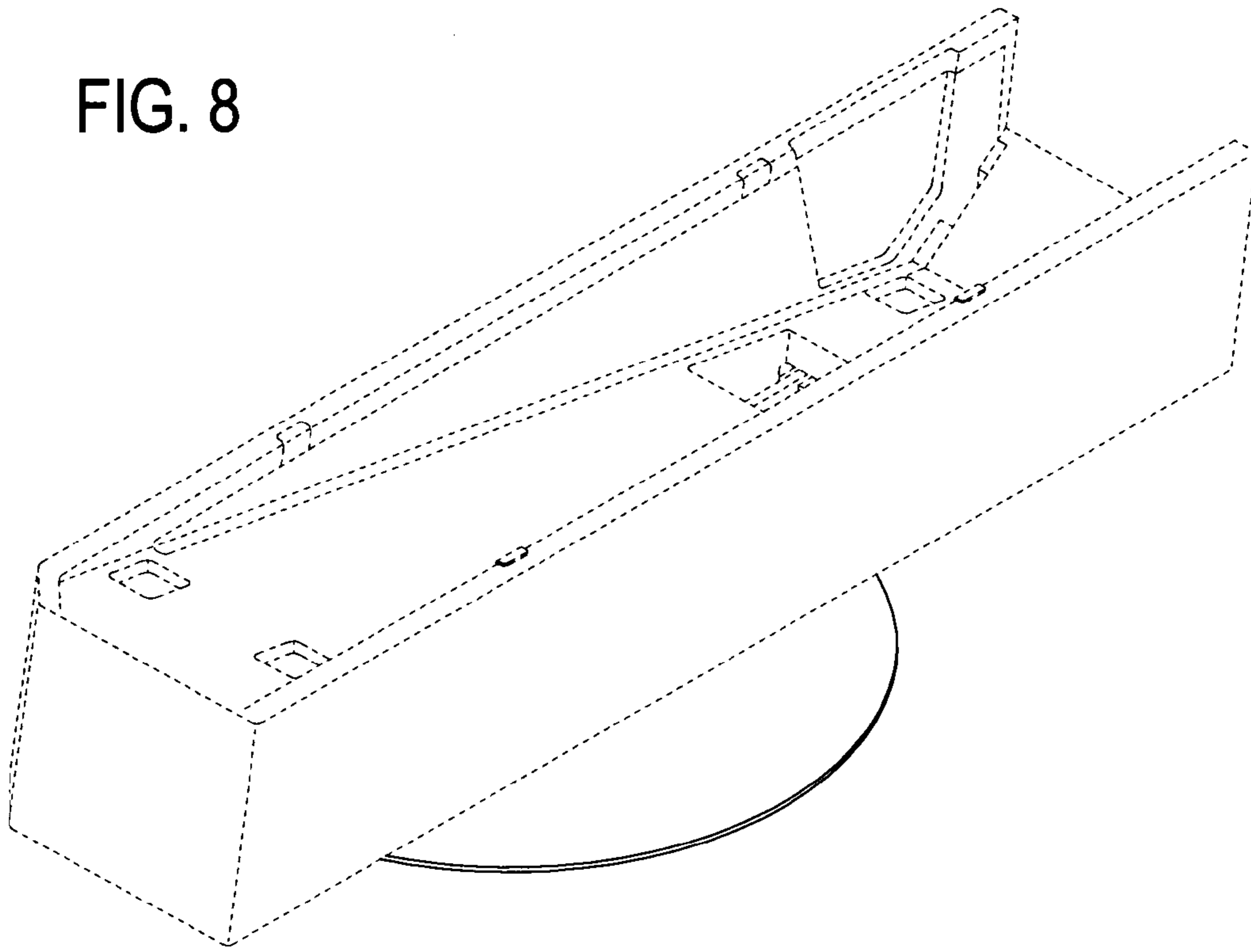


FIG. 9

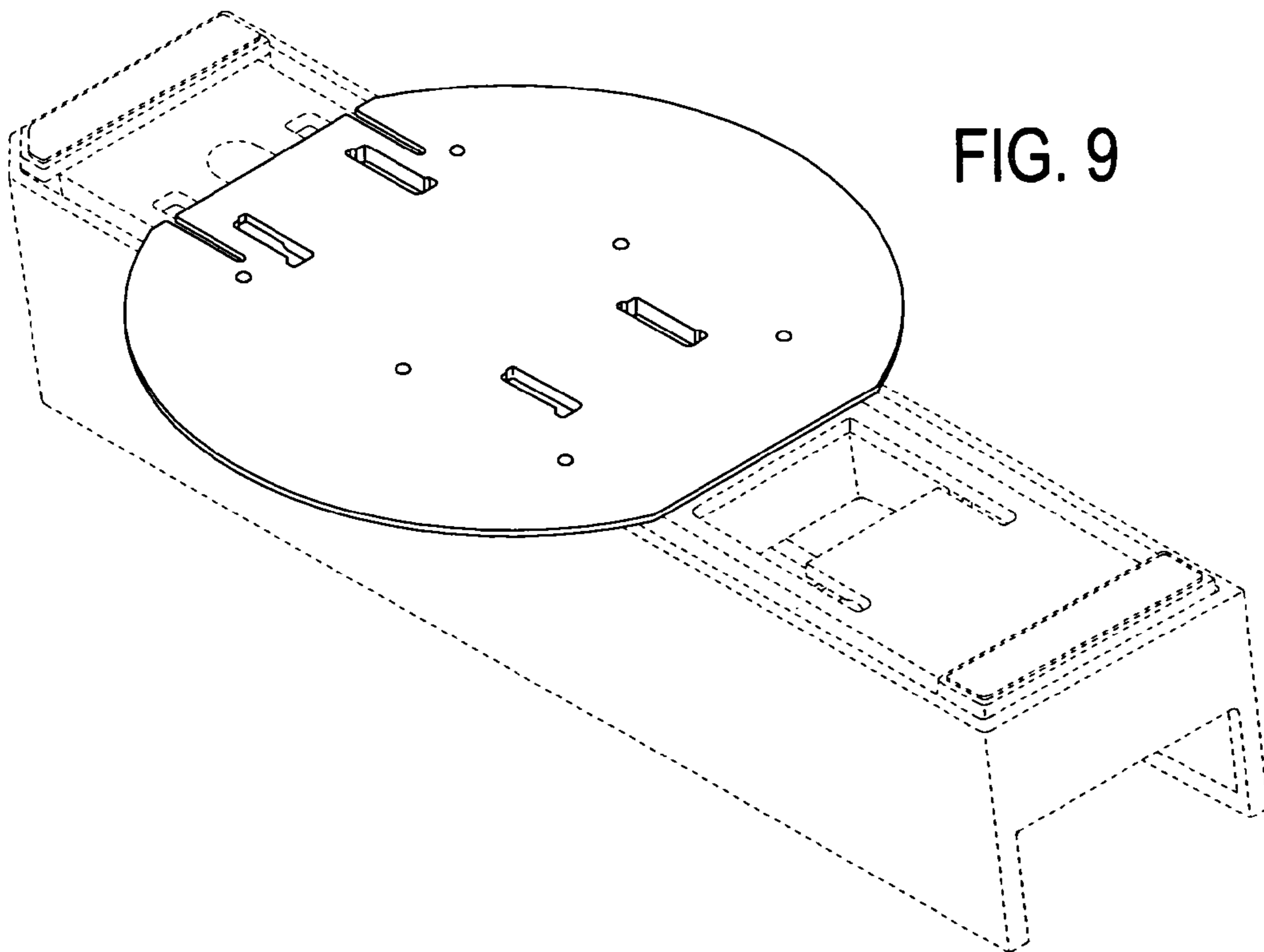


FIG. 10

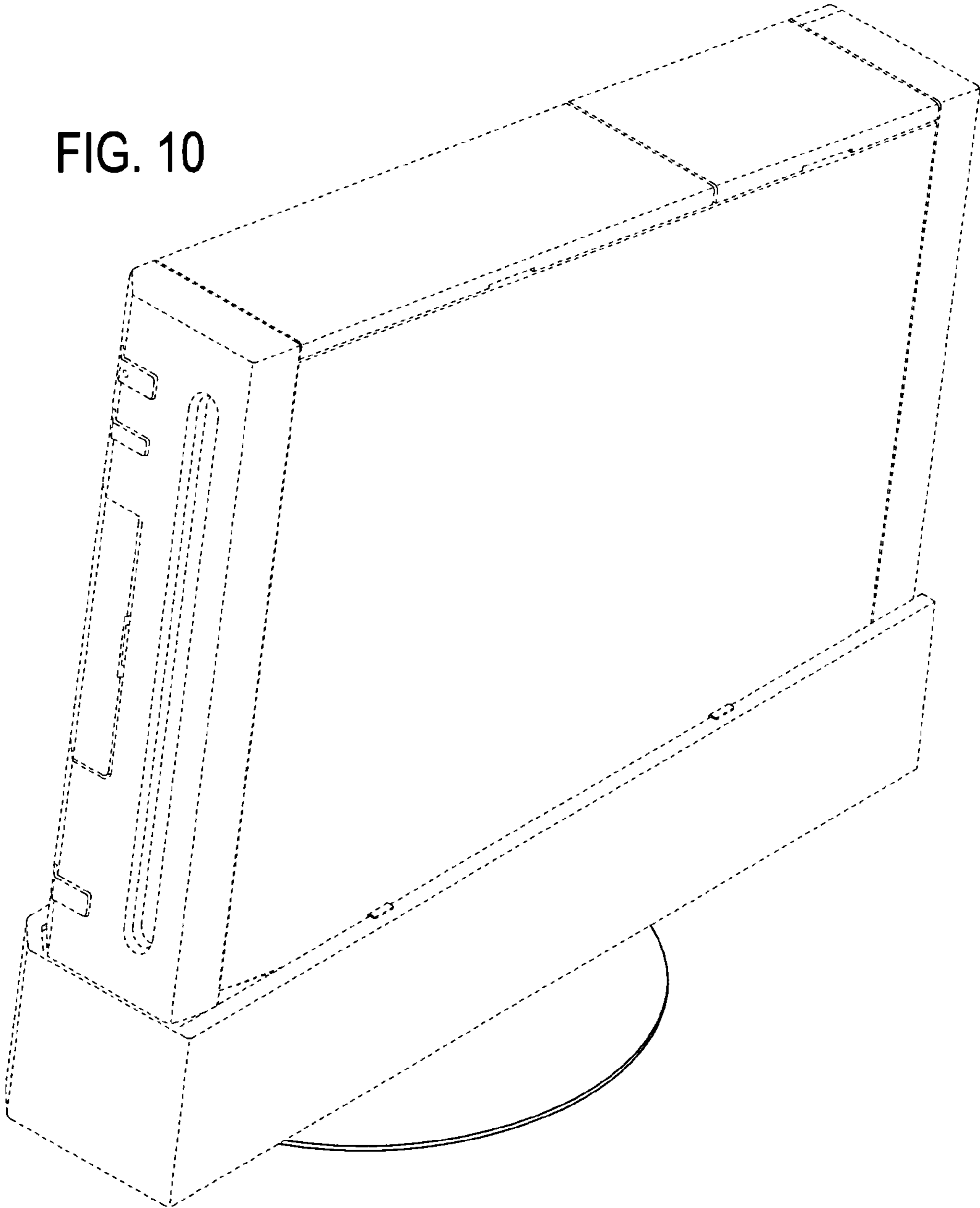


FIG. 11

