

US00D582485S

(12) **United States Design Patent**
Glass, Jr. et al.

(10) **Patent No.:** **US D582,485 S**
(45) **Date of Patent:** **** Dec. 9, 2008**

(54) **SIGN FRAME**

(75) Inventors: **Geoffrey M. Glass, Jr.**, Lincolnshire, IL (US); **Edward Poelsterl**, Bensenville, IL (US); **Stephen Simovits**, Downers Grove, IL (US)

(73) Assignee: **Plasticade**, Skokie, IL (US)

(**) Term: **14 Years**

(21) Appl. No.: **29/292,056**

(22) Filed: **Sep. 26, 2007**

(51) **LOC (8) Cl.** **20-03**

(52) **U.S. Cl.** **D20/43; D20/41**

(58) **Field of Classification Search** D20/10, D20/41-43, 99; 40/1, 341, 604, 605, 606.01, 40/606.13, 606.19, 607.01, 607.06, 611.05-611.07, 40/640.02, 644, 662

See application file for complete search history.

(56) **References Cited**

U.S. PATENT DOCUMENTS

3,132,431	A	5/1964	Petrie	
3,289,337	A *	12/1966	Golkowski	40/611.07
4,092,792	A *	6/1978	Vorhees	40/606.13
4,103,445	A	8/1978	Smith et al.	
4,368,586	A *	1/1983	Forzelias	40/604
D290,378	S *	6/1987	Anderson	D20/10
4,916,840	A *	4/1990	Getz	40/605
4,923,157	A	5/1990	Belamiza	

5,207,402	A	5/1993	Berry-Tremmel et al.	
5,579,599	A *	12/1996	Haeseler	40/606.19
6,655,062	B1 *	12/2003	Meeker	40/611.05
D503,748	S *	4/2005	Crawford	D20/41
D533,230	S	12/2006	Thomas	
2004/0055194	A1	3/2004	Wilson et al.	
2006/0101690	A1	5/2006	Terbet, Jr.	
2006/0143960	A1 *	7/2006	Gnas	40/607.01

* cited by examiner

Primary Examiner—Caron D. Veynar

Assistant Examiner—Mary Ann Calabrese

(74) *Attorney, Agent, or Firm*—Brinks, Hofer, Gilson & Lione

(57) **CLAIM**

We claim the ornamental design for a sign frame, as shown and described.

DESCRIPTION

FIG. 1 is a front perspective view of a sign frame of the present invention;

FIG. 2 is a front view thereof;

FIG. 3 is a rear view thereof;

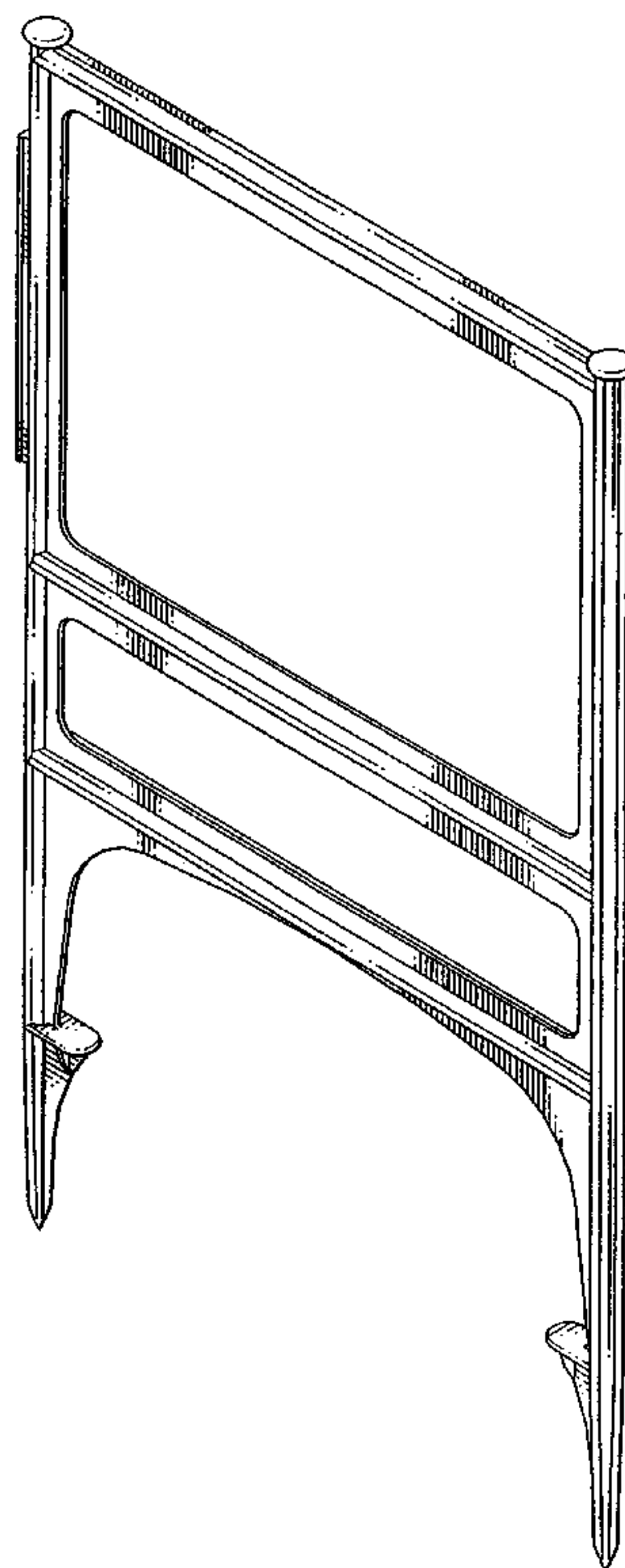
FIG. 4 is a first side view thereof;

FIG. 5 is a second side view thereof;

FIG. 6 is a top view thereof; and,

FIG. 7 is a bottom view thereof.

1 Claim, 5 Drawing Sheets



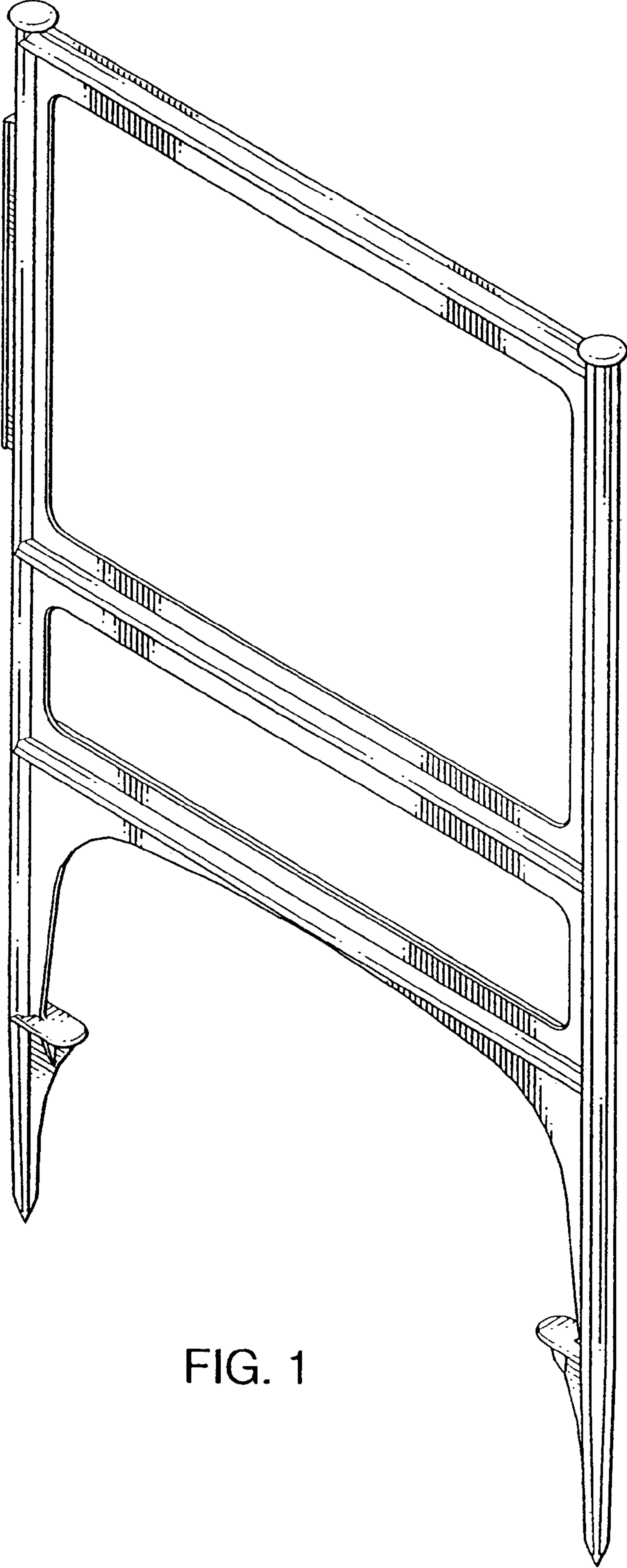


FIG. 1

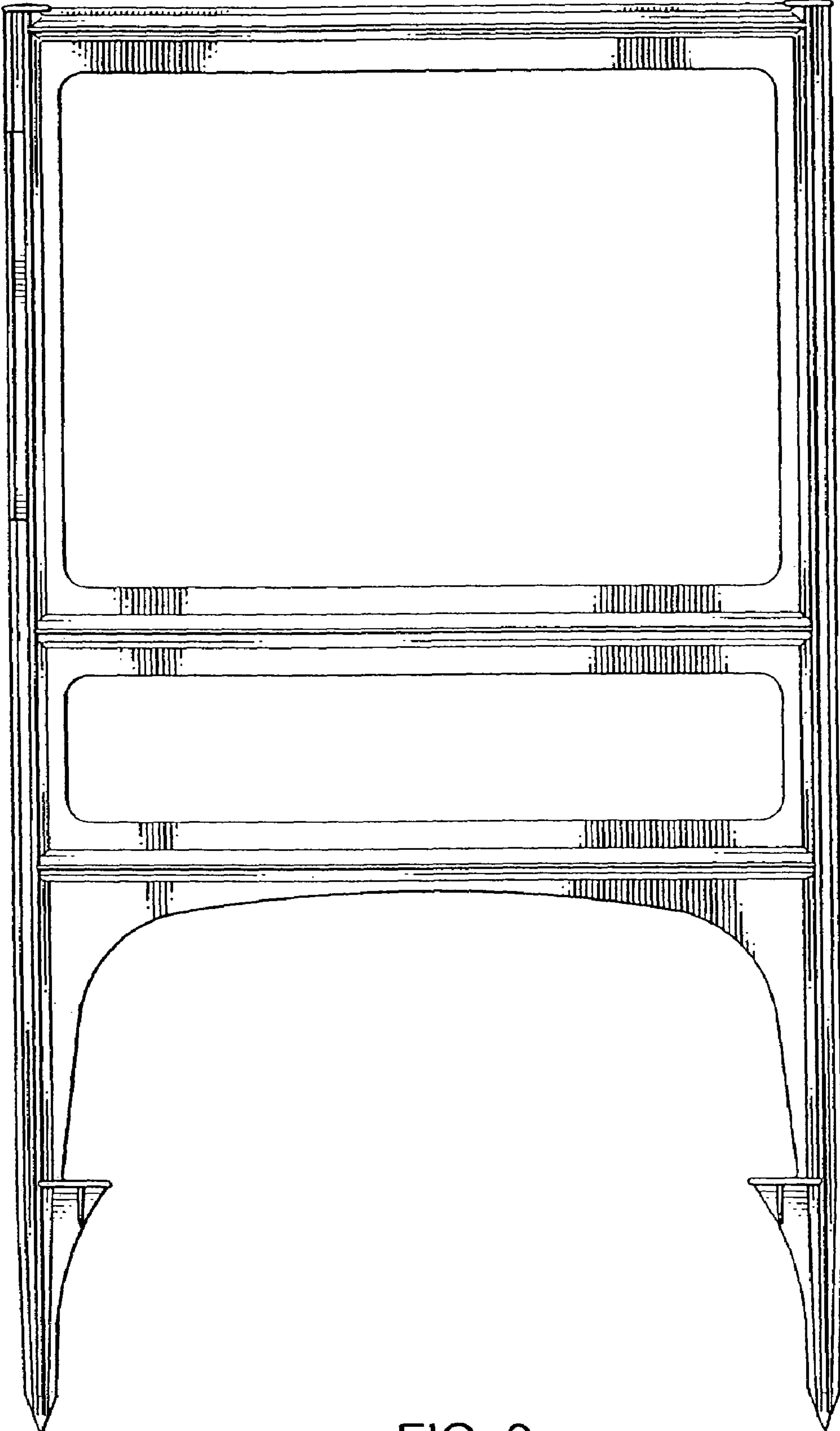


FIG. 2

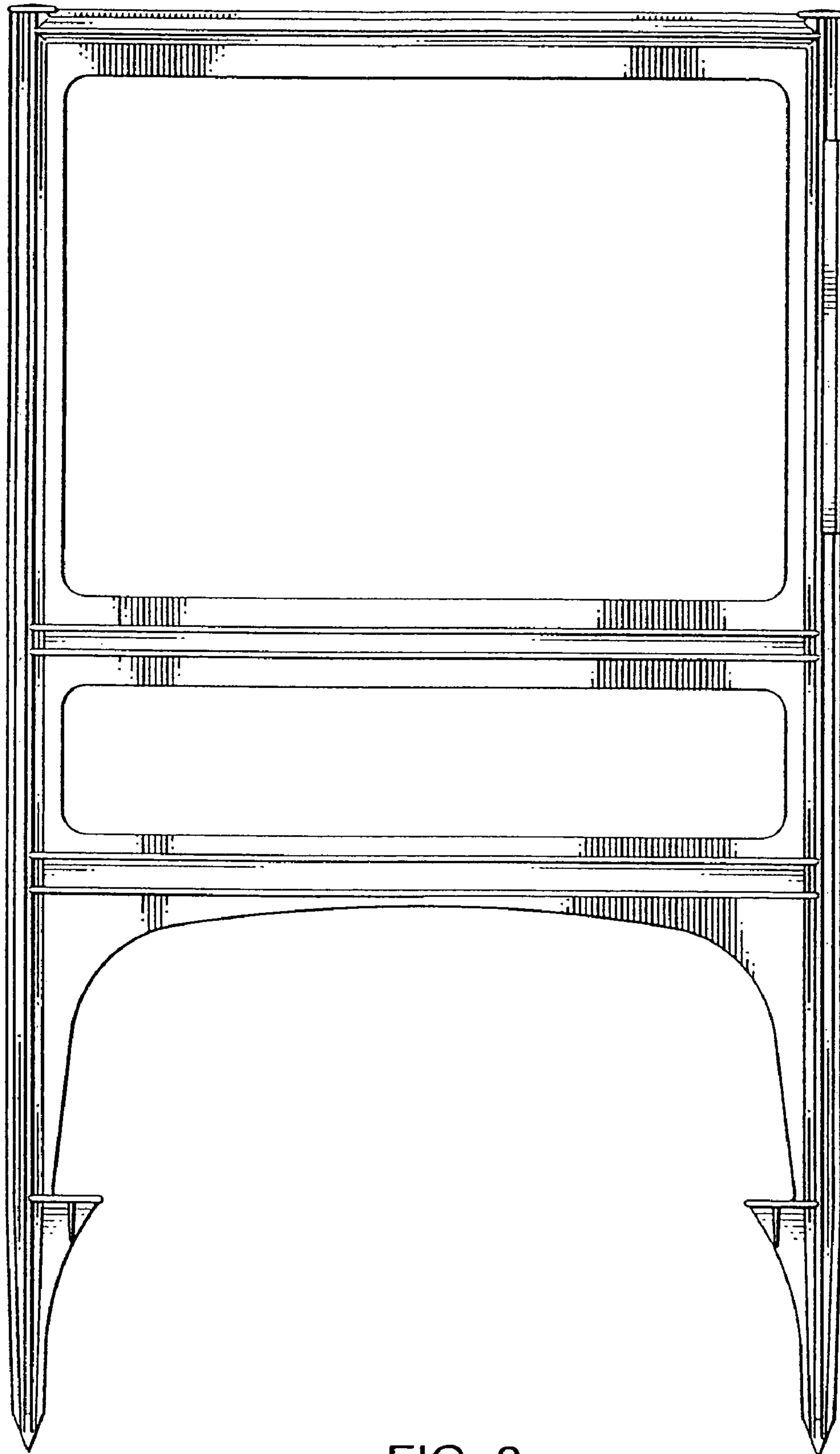


FIG. 3

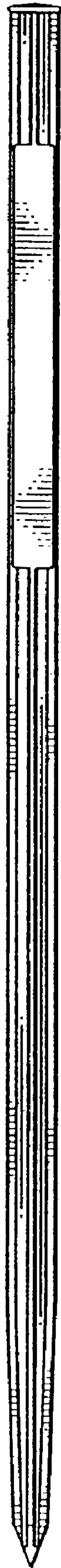


FIG. 4



FIG. 5

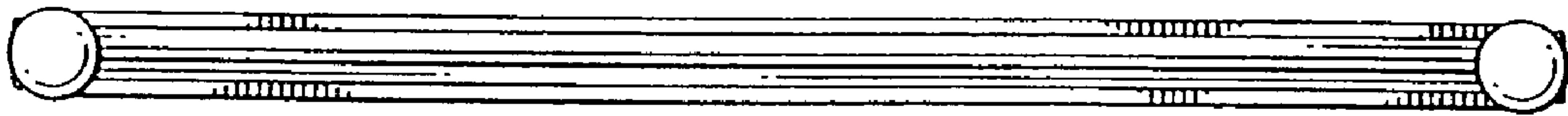


FIG. 6

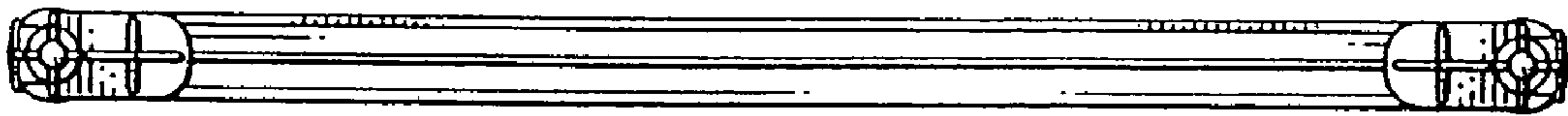


FIG. 7