



US00D582477S

(12) **United States Design Patent**
To

(10) **Patent No.:** **US D582,477 S**
(45) **Date of Patent:** **** Dec. 9, 2008**

(54) **BINDING RING**

(75) Inventor: **Chun Yuen To**, Hong Kong (CN)

(73) Assignee: **World Wide Stationery Manufacturing Company Limited**, Hong Kong (CN)

(**) Term: **14 Years**

(21) Appl. No.: **29/294,297**

(22) Filed: **Jan. 3, 2008**

(30) **Foreign Application Priority Data**

Jul. 3, 2007 (CN) 2007 3 0158191

(51) **LOC (8) Cl.** **19-04**

(52) **U.S. Cl.** **D19/32**

(58) **Field of Classification Search** D19/32,
D19/27; 402/8, 79, 73, 70, 60, 54, 41, 39,
402/38, 37, 36, 31, 26, 19; 72/129; 281/27.2,
281/15.1; 206/526

See application file for complete search history.

(56) **References Cited**

U.S. PATENT DOCUMENTS

3,954,343	A *	5/1976	Thomsen	402/41
4,130,368	A *	12/1978	Jacoby et al.	402/41
D377,805	S *	2/1997	To	D19/32
D382,593	S *	8/1997	To	D19/32
D389,182	S *	1/1998	Law	D19/32
D389,183	S *	1/1998	Chan	D19/32
D392,673	S *	3/1998	Whaley	D19/32
5,846,013	A *	12/1998	To	402/36
D405,113	S *	2/1999	Ko	D19/32
D408,851	S *	4/1999	To	D19/32
D409,240	S *	5/1999	Ko	D19/32
D433,445	S *	11/2000	To	D19/32

D436,993	S	1/2001	Whaley	
D436,994	S	1/2001	Whaley	
D451,135	S	11/2001	Whaley	
6,328,497	B1 *	12/2001	To 402/26
D453,026	S *	1/2002	To D19/32
D457,559	S *	5/2002	To D19/27
D479,267	S *	9/2003	Ko D19/32
6,758,621	B2 *	7/2004	To 402/19
2001/0026726	A1 *	10/2001	To 402/41
2002/0051674	A1 *	5/2002	To 402/36
2003/0026643	A1 *	2/2003	To 402/60
2003/0103796	A1 *	6/2003	To et al. 402/38
2004/0013463	A1 *	1/2004	To 402/26
2006/0147254	A1 *	7/2006	Cheng 402/38
2007/0086836	A1 *	4/2007	Cheng 402/37

* cited by examiner

Primary Examiner—Cathron Brooks

Assistant Examiner—Austin Murphy

(74) *Attorney, Agent, or Firm*—Connolly Bove Lodge & Hutz LLP

(57) **CLAIM**

The ornamental design for a binding ring, as shown and described.

DESCRIPTION

FIG. 1 is a perspective view of a binder ring showing my new design;

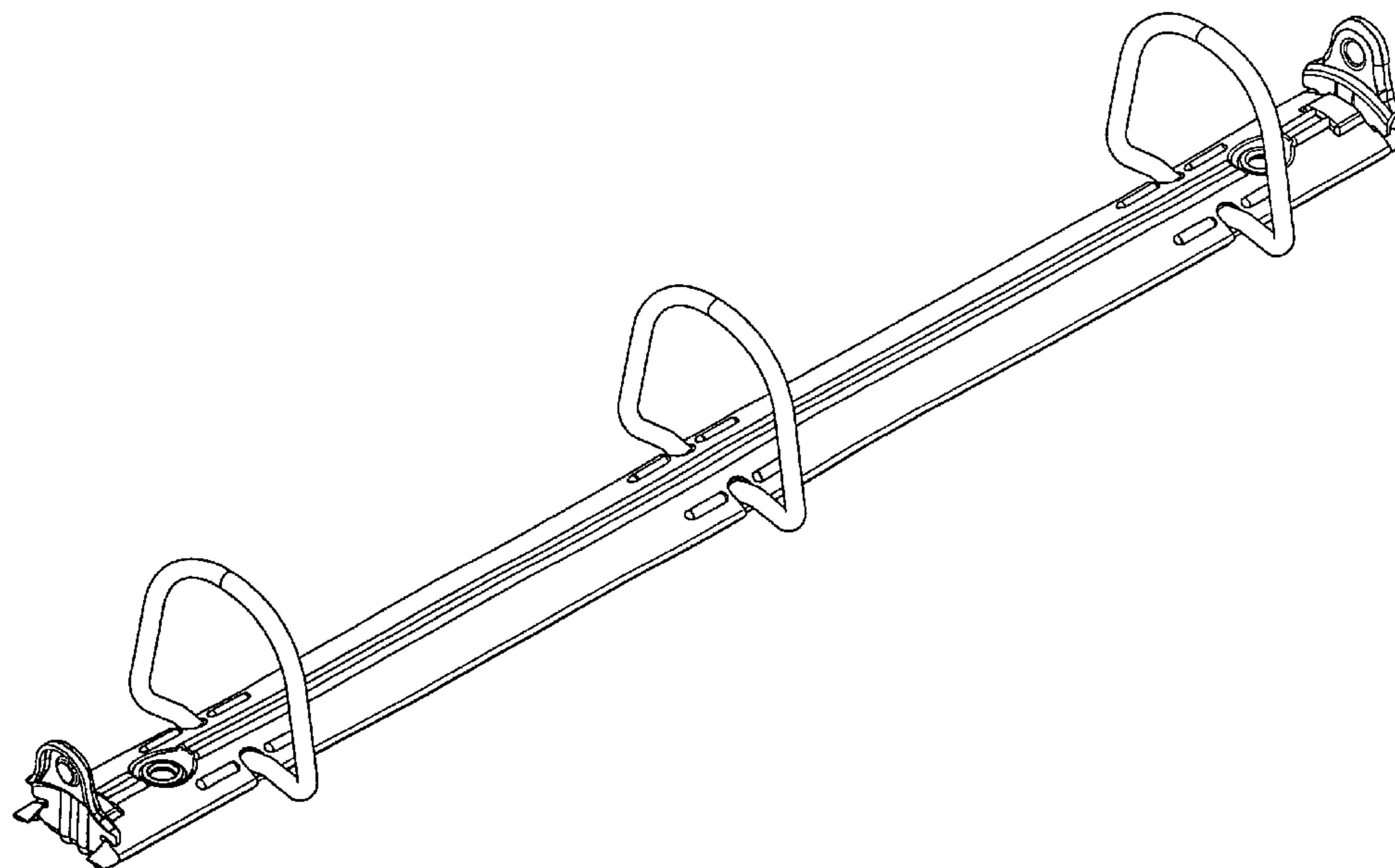
FIG. 2 is a right side elevational view thereof, left side elevational view being identical;

FIG. 3 is a front elevational view thereof, rear elevational view being identical;

FIG. 4 is a top plan view thereof; and,

FIG. 5 is a bottom plan view thereof.

1 Claim, 5 Drawing Sheets



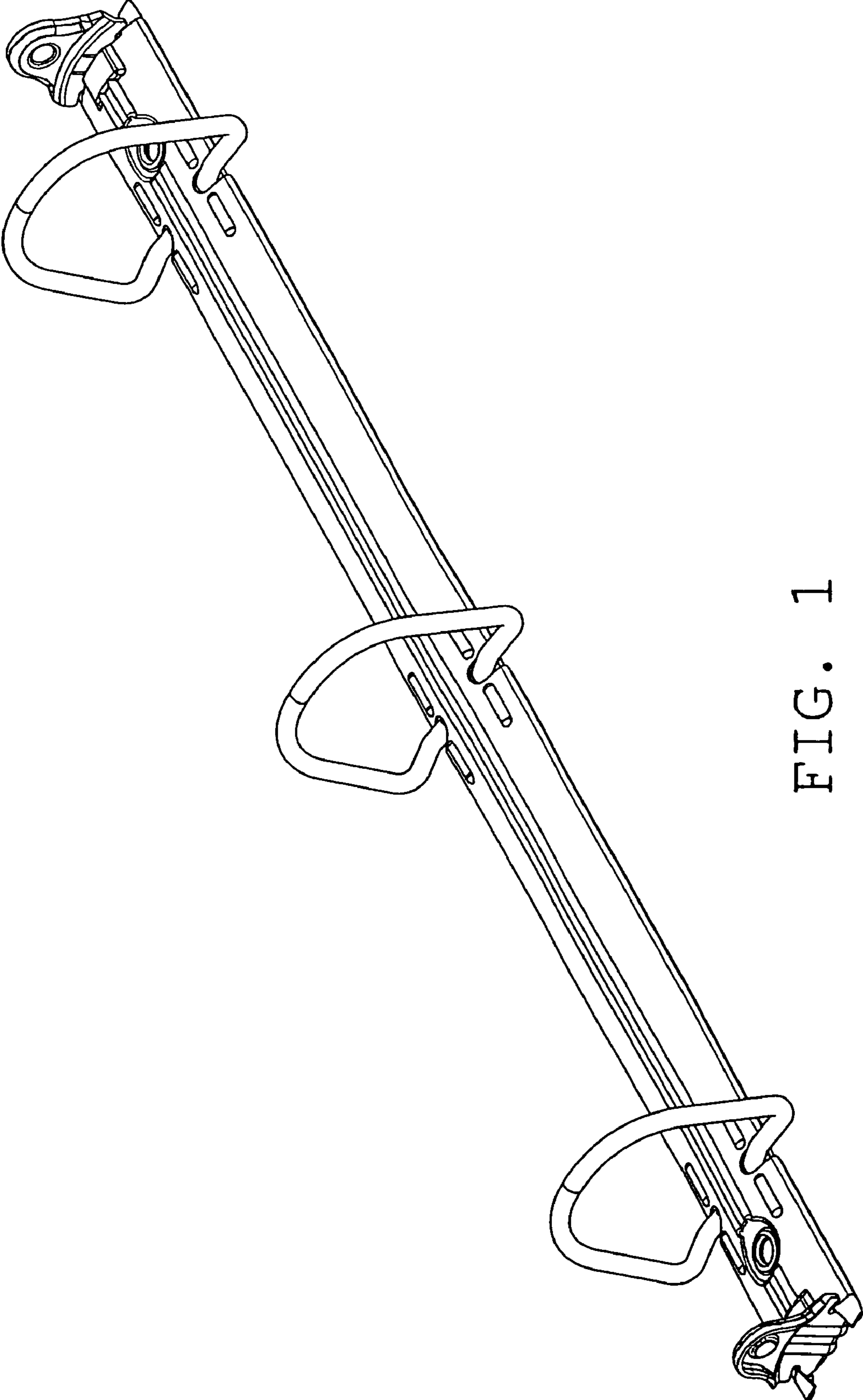


FIG. 1

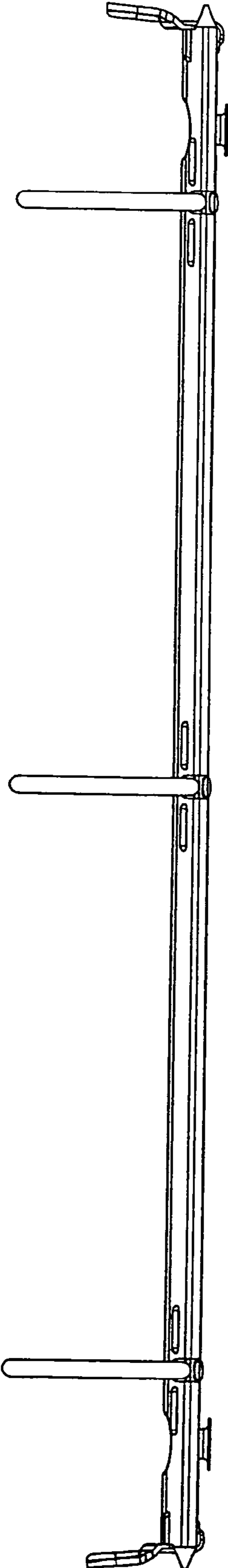


FIG. 2

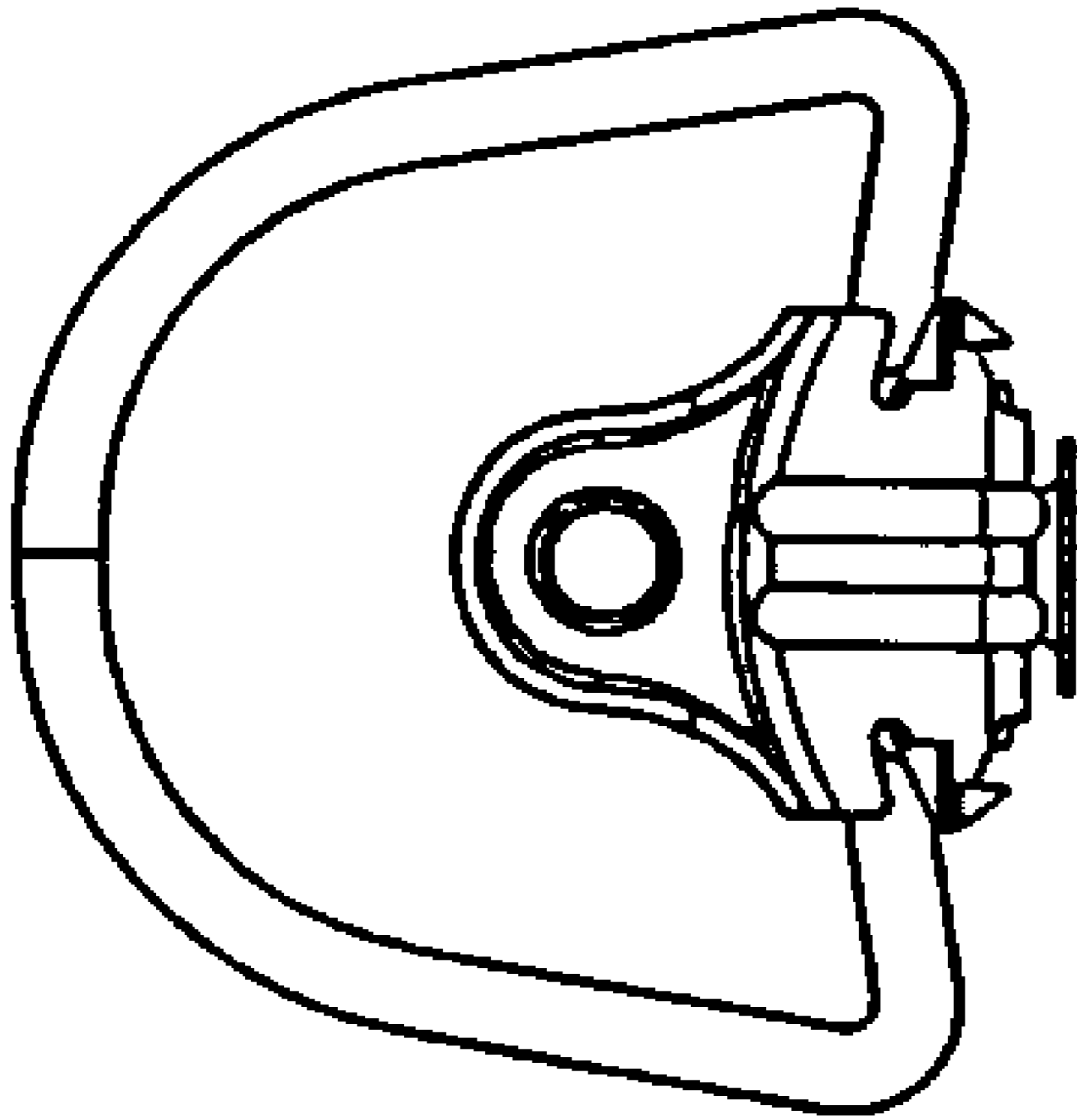


FIG. 3

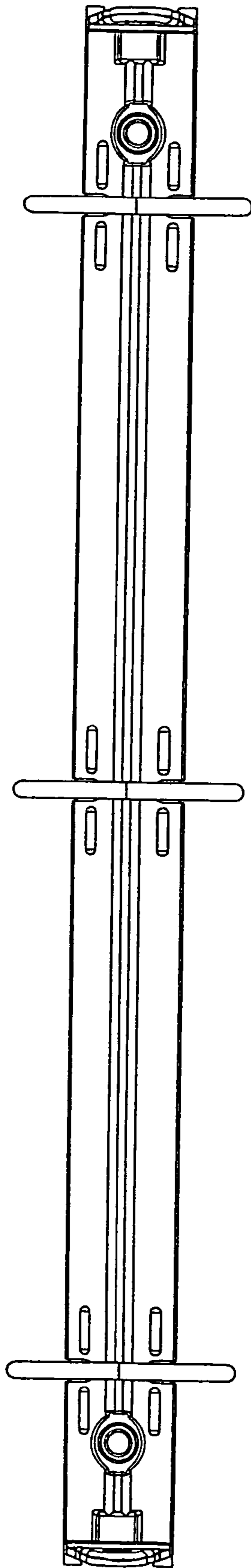


FIG. 4

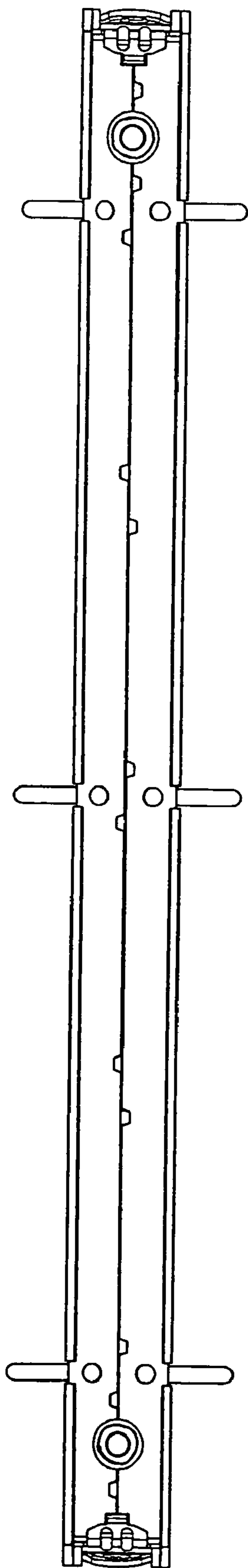


FIG. 5