



US00D582473S

(12) **United States Design Patent**
Park et al.

(10) **Patent No.:** **US D582,473 S**
(45) **Date of Patent:** **** Dec. 9, 2008**

(54) **TONER FOR PRINTER**

(75) Inventors: **Gyeong-Sun Park**, Seoul (KR); **Yun-Gi Hong**, Kyunggi-do (KR); **Bong-Uk Lim**, Kyunggi-do (KR)

(73) Assignee: **Samsung Electronics Co., Ltd.**, Kyunggi-do (KR)

(**) Term: **14 Years**

(21) Appl. No.: **29/292,083**

(22) Filed: **Sep. 27, 2007**

(51) **LOC (8) Cl.** **18-02**

(52) **U.S. Cl.** **D18/56**

(58) **Field of Classification Search** D18/12,
D18/43, 56; 399/258, 260; 347/85-87
See application file for complete search history.

(56) **References Cited**

U.S. PATENT DOCUMENTS

D310,845 S *	9/1990	Ohata	D18/43
D320,042 S *	9/1991	Corby et al.	D18/43
D329,659 S *	9/1992	Mizukami et al.	D18/43
D347,653 S *	6/1994	Mori et al.	D18/43
D395,914 S *	7/1998	Yoshino et al.	D18/43
D408,846 S *	4/1999	Schwallie et al.	D18/43
D450,752 S *	11/2001	Ito et al.	D18/43

D477,357 S *	7/2003	Nakajima et al.	D18/43
D538,850 S	3/2007	Choi et al.		
D559,902 S *	1/2008	Park et al.	D18/56

OTHER PUBLICATIONS

U.S. Appl. No. 29/292,076, Applicant: Gyeong-Sun Park, filed Sep. 27, 2007 entitled Toner for Printer.

* cited by examiner

Primary Examiner—Cathy Anne MacCormac

(74) *Attorney, Agent, or Firm*—Flynn, Thiel, Boutell & Tanis, P.C.

(57) **CLAIM**

The ornamental design for a toner for printer, as shown and described.

DESCRIPTION

FIG. 1 is a top front perspective view of a toner for printer showing our new design;

FIG. 2 is a front elevational view thereof;

FIG. 3 is a rear elevational view thereof;

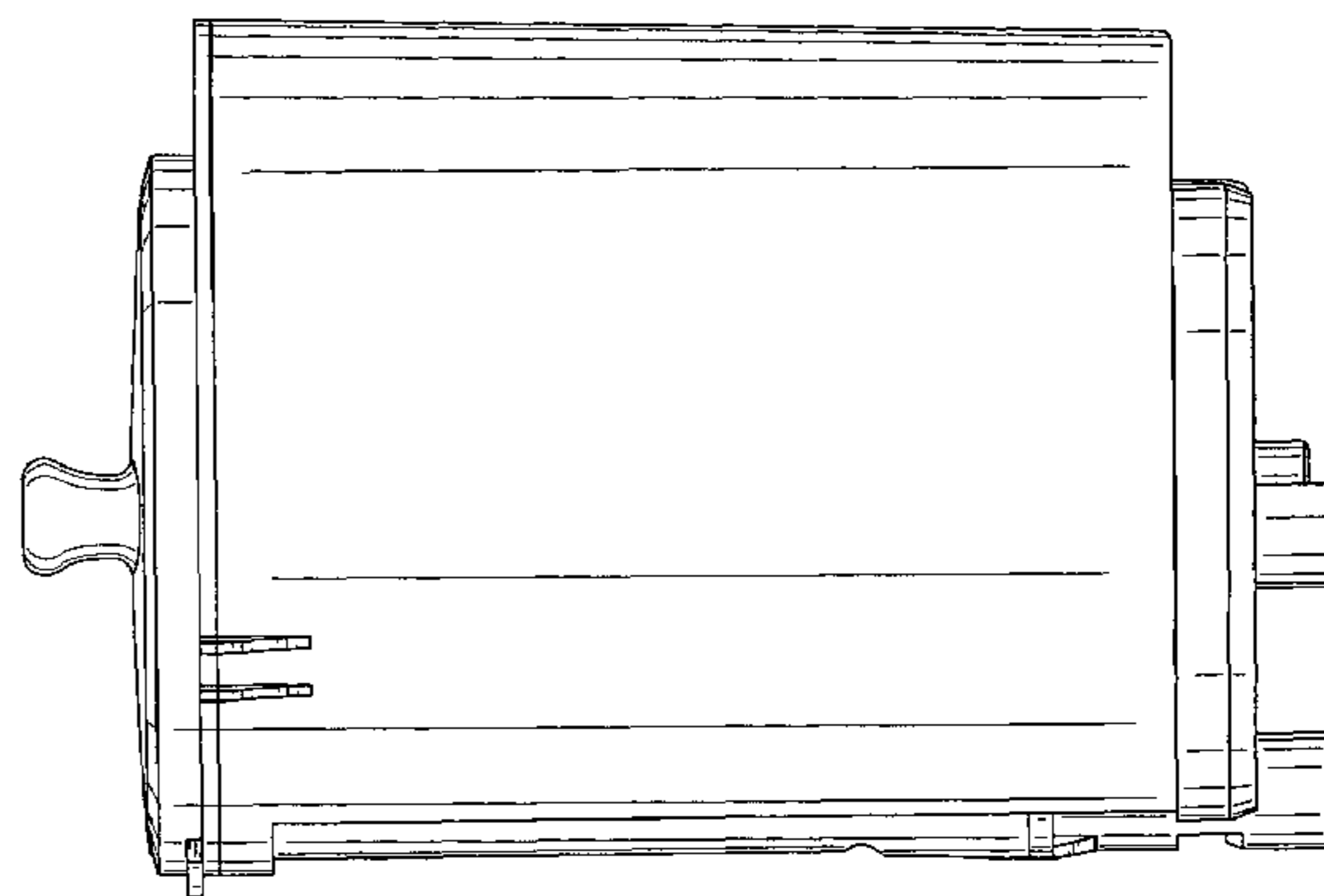
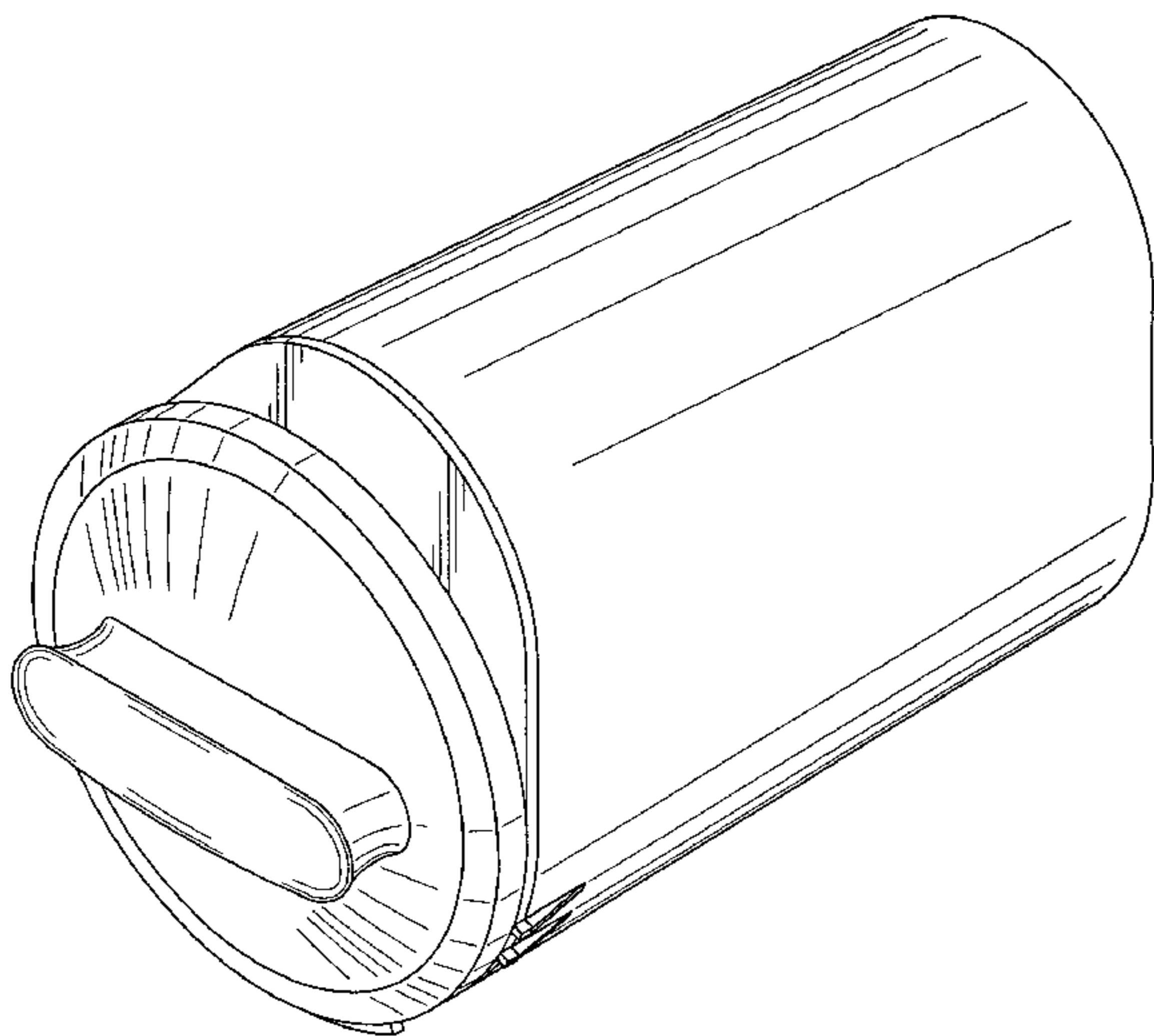
FIG. 4 is a left side elevational view thereof;

FIG. 5 is a right side elevational view thereof;

FIG. 6 is a top plan view thereof; and,

FIG. 7 is a bottom plan view thereof.

1 Claim, 4 Drawing Sheets



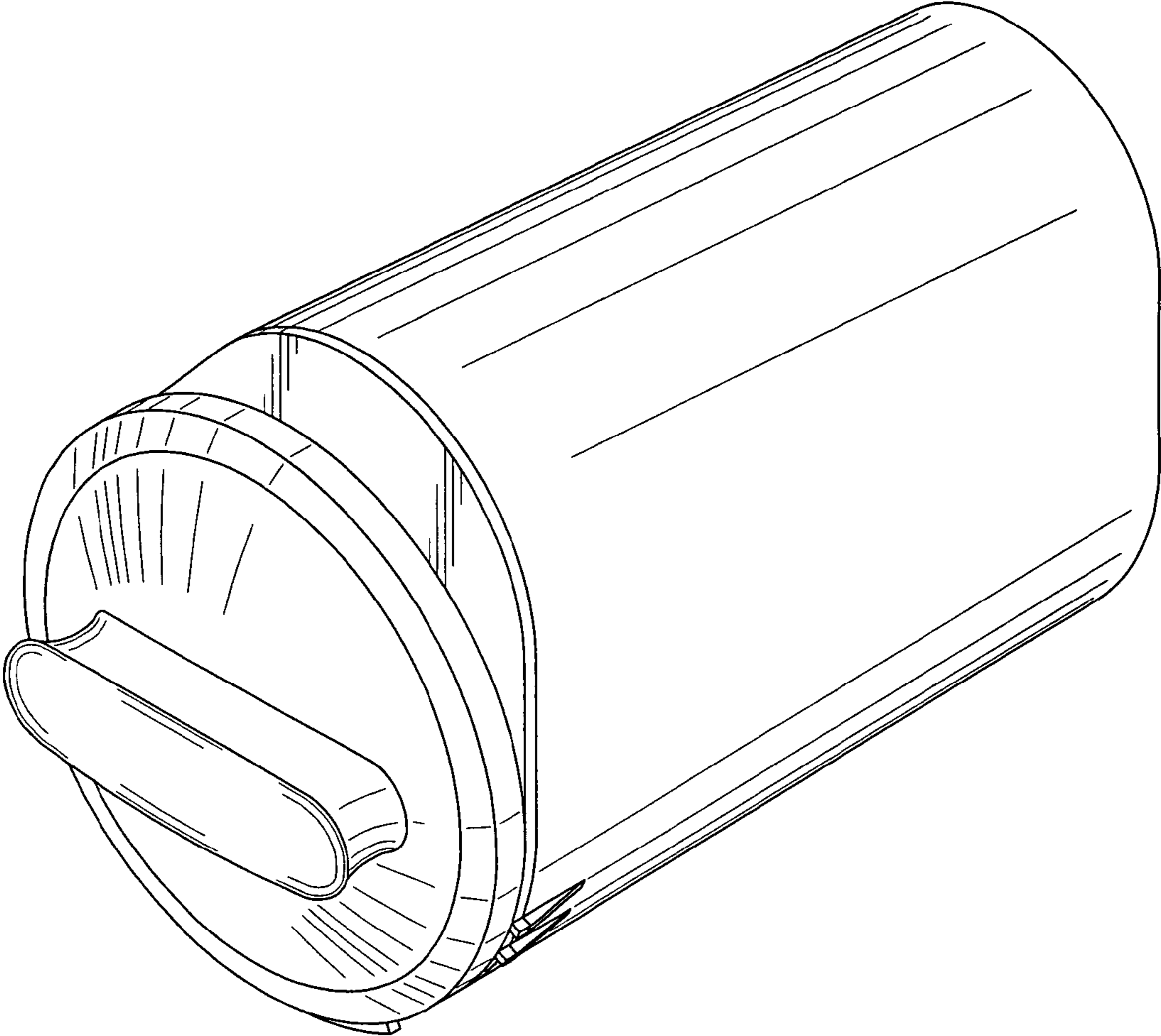


FIG. 1

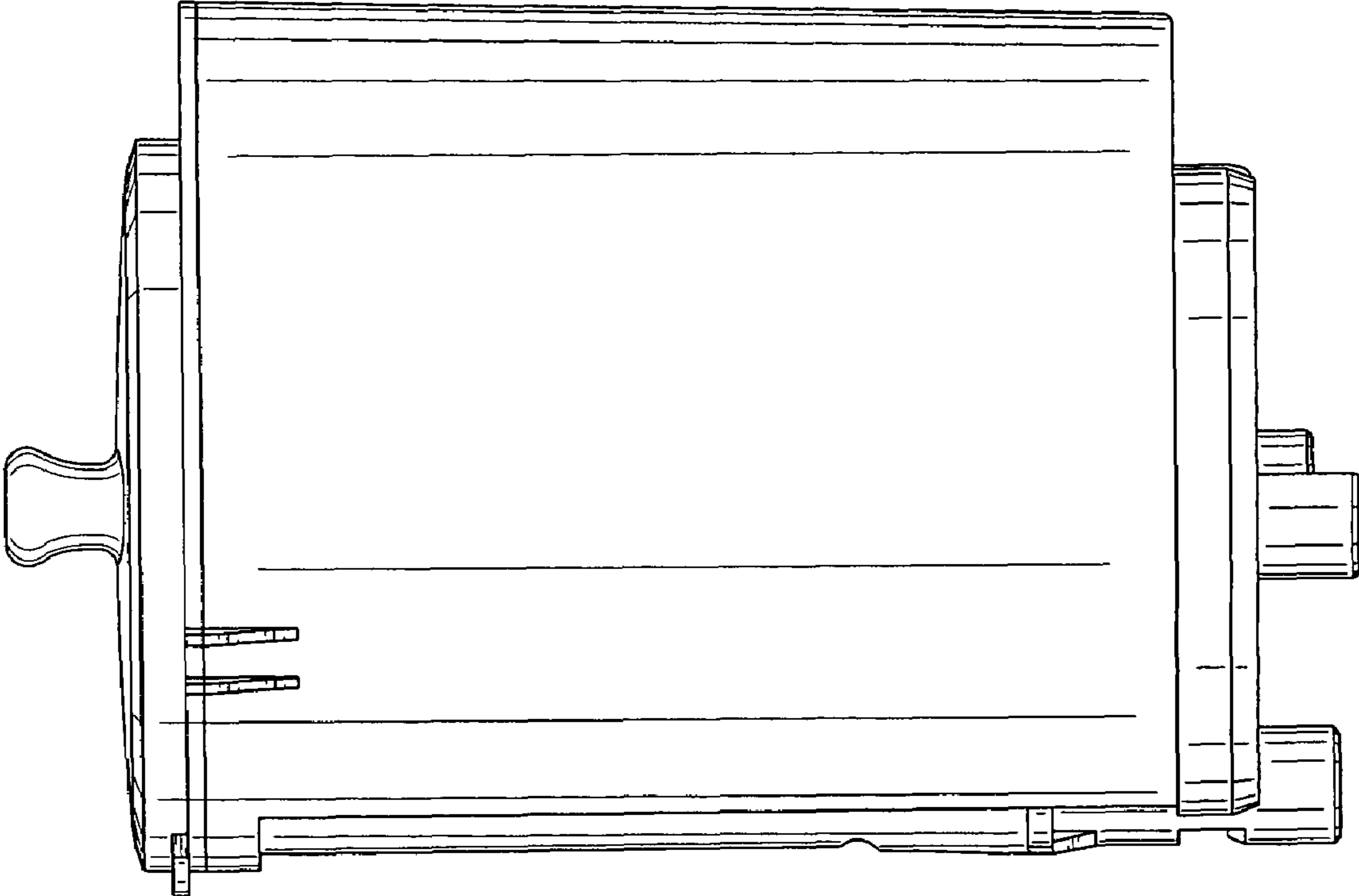


FIG. 2

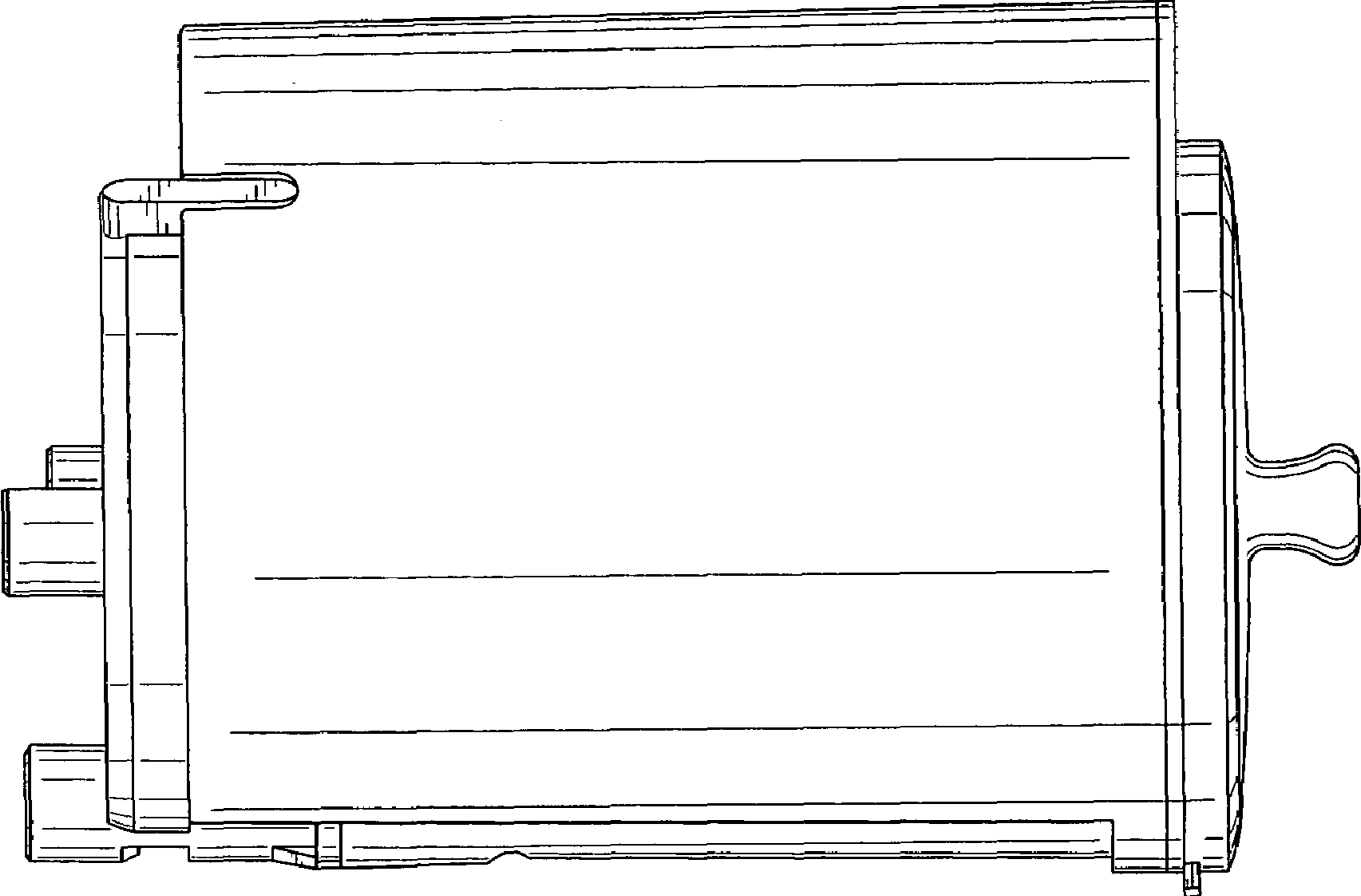


FIG. 3

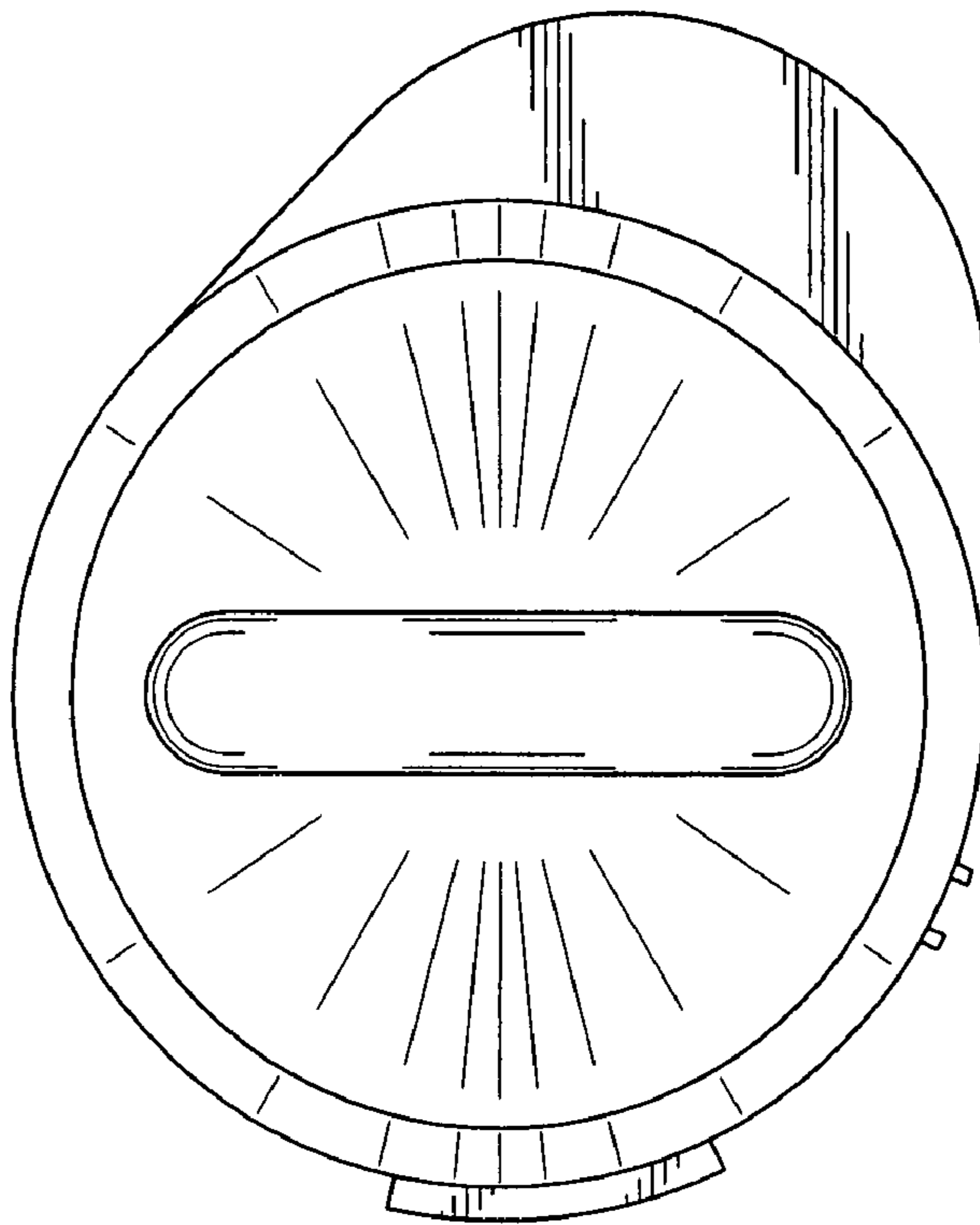


FIG. 4

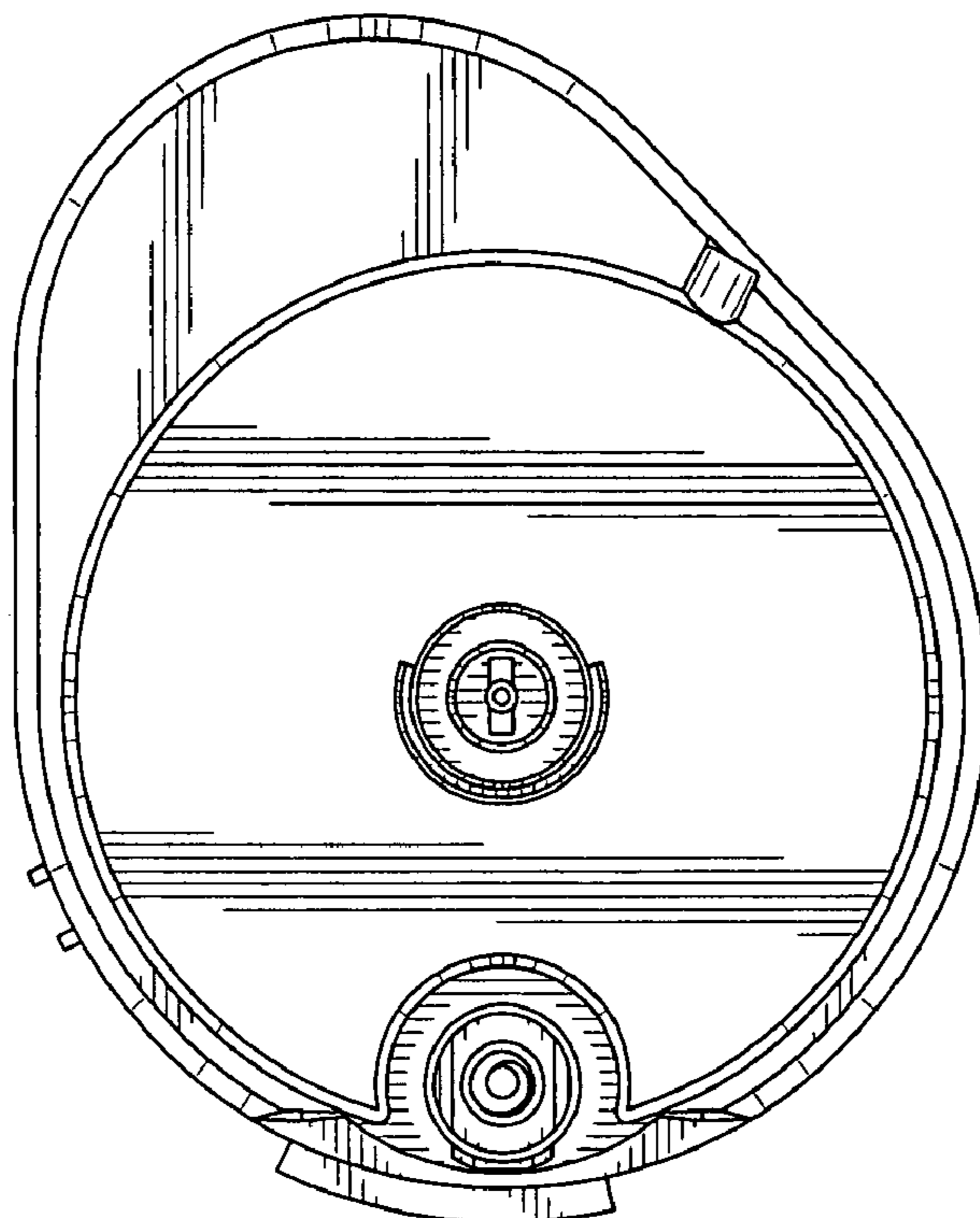


FIG. 5

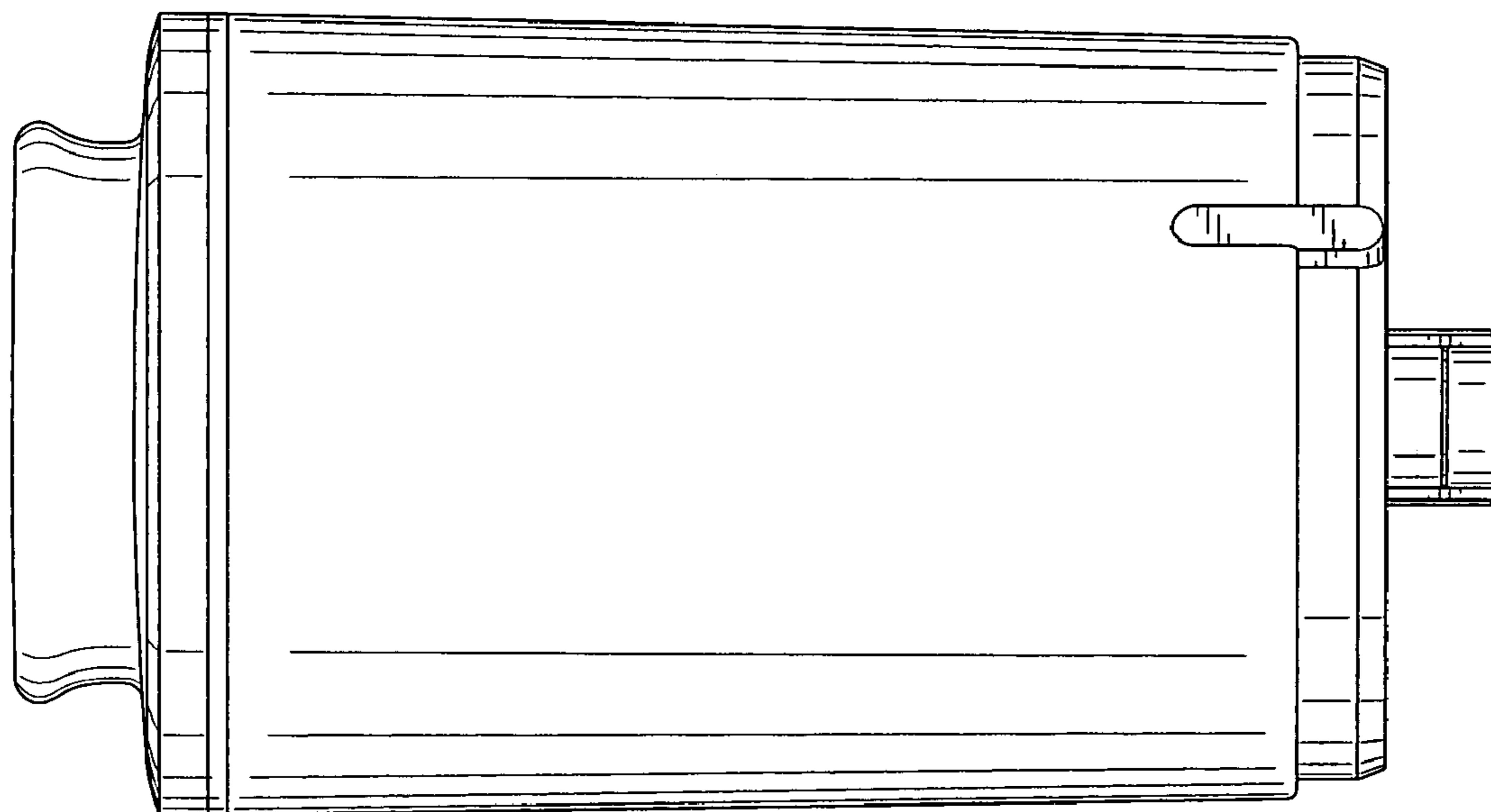


FIG. 6

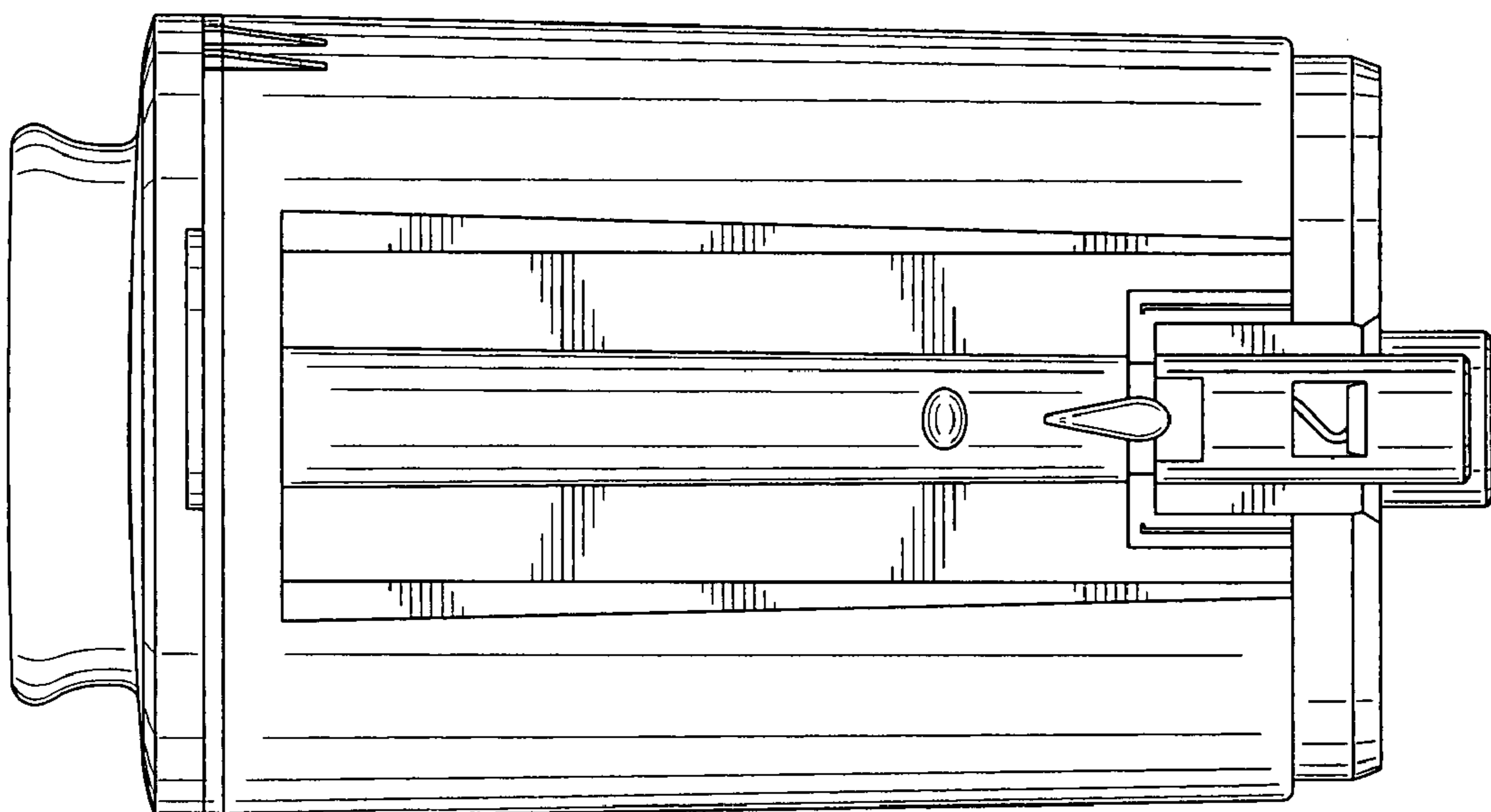


FIG. 7