



US00D582471S

(12) **United States Design Patent**  
**Stoddart et al.**

(10) **Patent No.:** **US D582,471 S**

(45) **Date of Patent:** **\*\* Dec. 9, 2008**

(54) **BANKNOTE SORTER**

(75) Inventors: **Sebastian C. A. Stoddart**, London  
(GB); **Simon Wilkinson**, Bedfordshire  
(GB); **Matthew Brown**, Surrey (GB);  
**David Robinson**, Buckinghamshire  
(GB)

(73) Assignee: **De La Rue International Limited**,  
Hampshire (GB)

(\*\*) Term: **14 Years**

(21) Appl. No.: **29/290,279**

(22) Filed: **Nov. 14, 2007**

(30) **Foreign Application Priority Data**

May 16, 2007 (EM) ..... 000726005-0001

(51) **LOC (8) Cl.** ..... **18-99**

(52) **U.S. Cl.** ..... **D18/47; D18/46**

(58) **Field of Classification Search** ..... D18/3.1,  
D18/3.3, 4.1, 4.2, 4.3, 4.4, 12, 12.1, 12.2,  
D18/12.3, 46, 47, 48, 49, 50, 54.1, 55; D10/46,  
D10/97; 209/534; 235/379; 382/135  
See application file for complete search history.

(56) **References Cited**

**U.S. PATENT DOCUMENTS**

2,005,021 A \* 6/1935 Brasch et al. .... 313/239  
D264,847 S \* 6/1982 DiBlasio ..... D18/3.3  
D338,905 S \* 8/1993 Helgeson ..... D18/3.3  
D369,984 S \* 5/1996 Larsen ..... D10/97  
D377,766 S \* 2/1997 Hidaka et al. .... D18/3.3  
5,790,697 A \* 8/1998 Munro et al. .... 382/135  
D427,623 S \* 7/2000 Kuwada et al. .... D18/3.1

D439,604 S \* 3/2001 Takagi et al. .... D18/3.3  
D452,973 S \* 1/2002 Kuwada ..... D18/3.3  
D457,554 S \* 5/2002 Takagi et al. .... D18/3.3  
6,459,806 B1 \* 10/2002 Raterman et al. .... 382/135  
6,493,461 B1 \* 12/2002 Mennie et al. .... 382/135  
D477,349 S \* 7/2003 Osada ..... D18/3.1  
6,908,029 B2 \* 6/2005 Numata et al. .... 235/375  
D517,115 S \* 3/2006 Kuwada ..... D18/3.3  
D539,332 S \* 3/2007 Gonzalez ..... D18/3.3  
D560,711 S \* 1/2008 Robinson et al. .... D18/3.3  
D562,377 S \* 2/2008 Kuroda ..... D18/3.3  
2001/0006557 A1 \* 7/2001 Mennie et al. .... 382/135  
2005/0035034 A1 \* 2/2005 Long et al. .... 209/534

\* cited by examiner

*Primary Examiner*—Prabhakar Deshmukh

*Assistant Examiner*—Elizabeth J Oswecki

(74) *Attorney, Agent, or Firm*—Olliff & Berridge, PLC

(57) **CLAIM**

The ornamental design for a banknote sorter, as shown and described.

**DESCRIPTION**

FIG. 1 is a front perspective view of a banknote sorter;

FIG. 2 is a front view thereof;

FIG. 3 is a left side view thereof;

FIG. 4 is a right side view thereof;

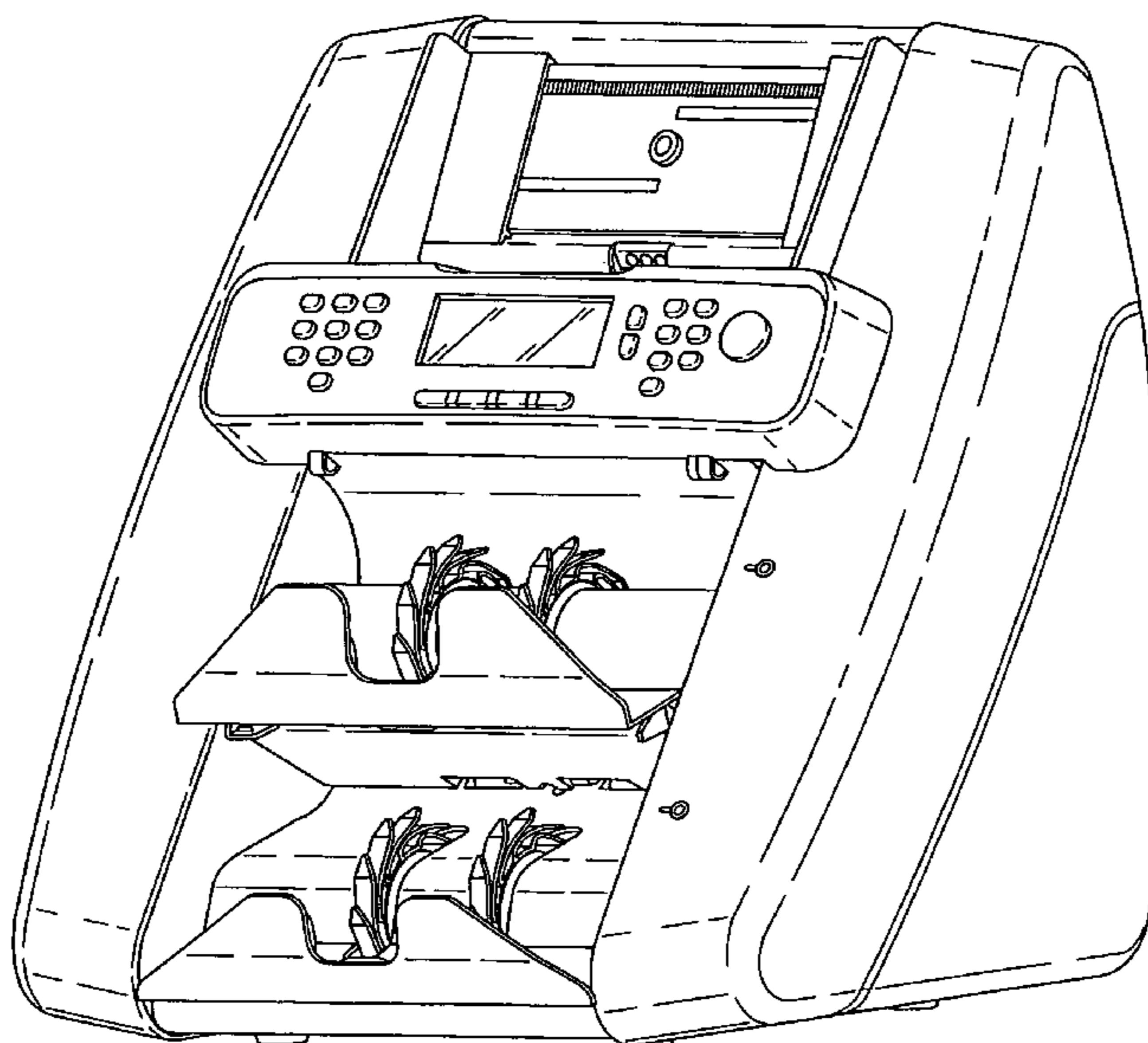
FIG. 5 is a rear view thereof;

FIG. 6 is a top view thereof; and,

FIG. 7 is a bottom view thereof.

The broken lines depict environmental subject matter only and form no part of the claimed design.

**1 Claim, 7 Drawing Sheets**



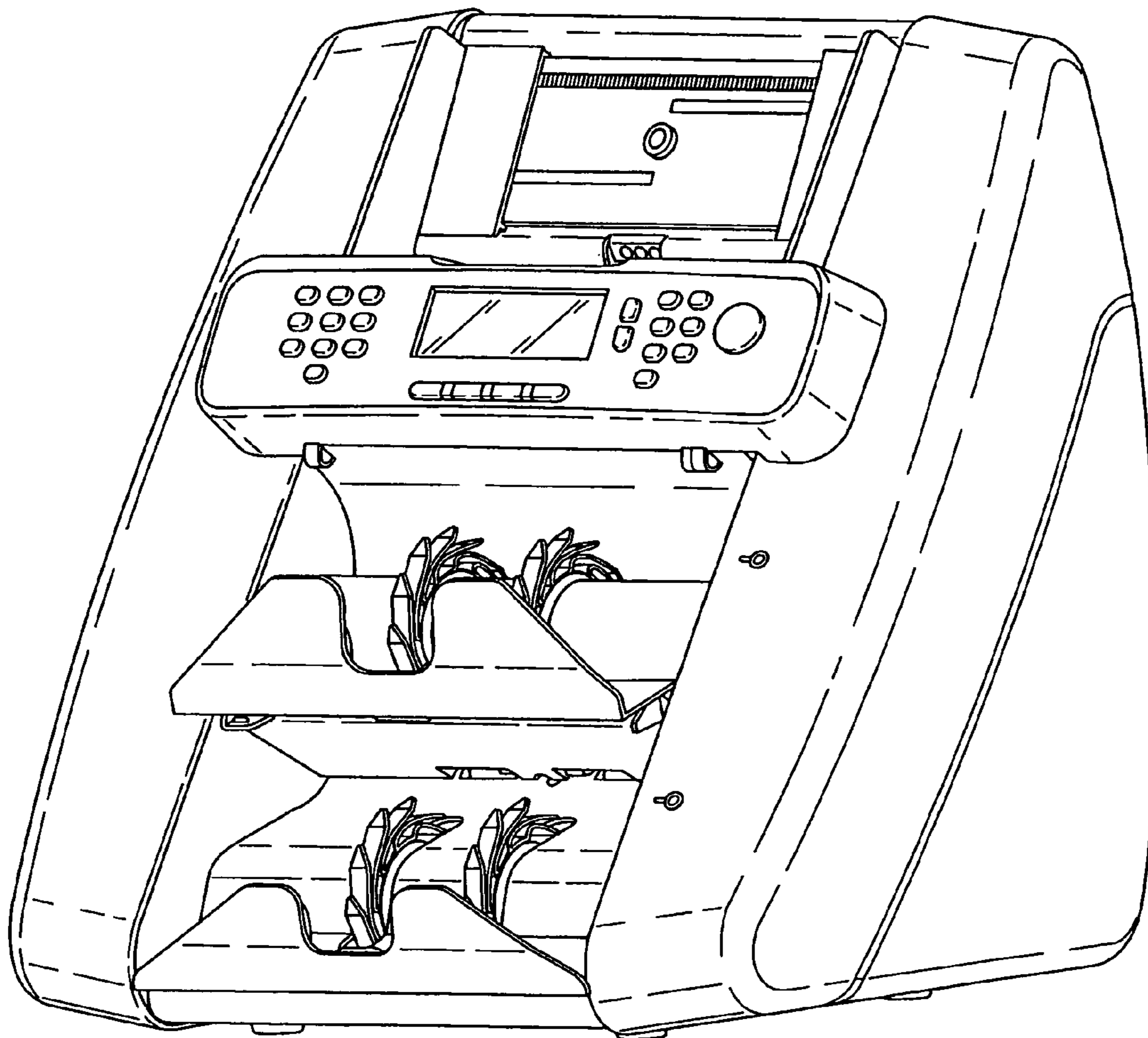


Fig. 1.

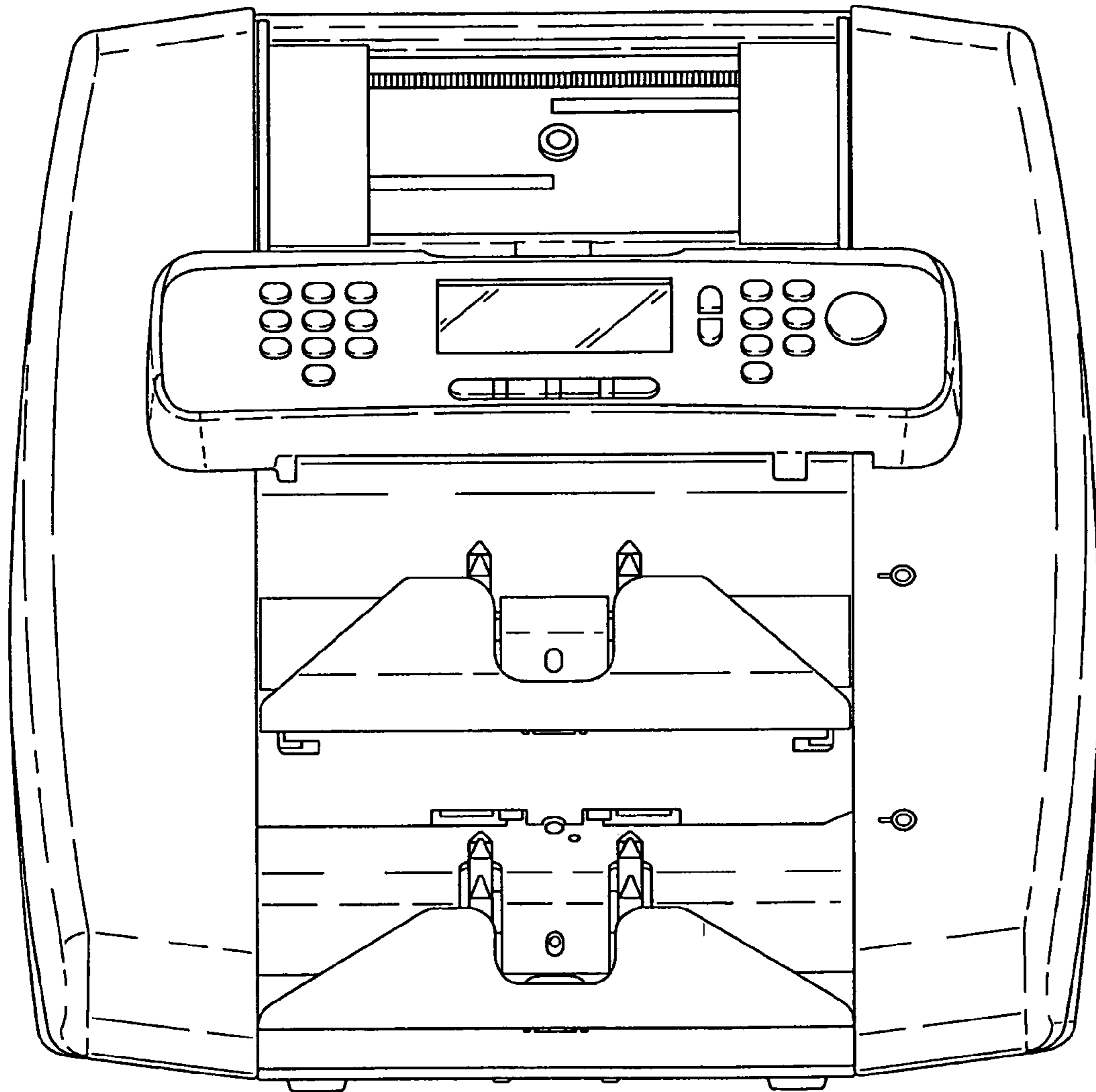


Fig.2.

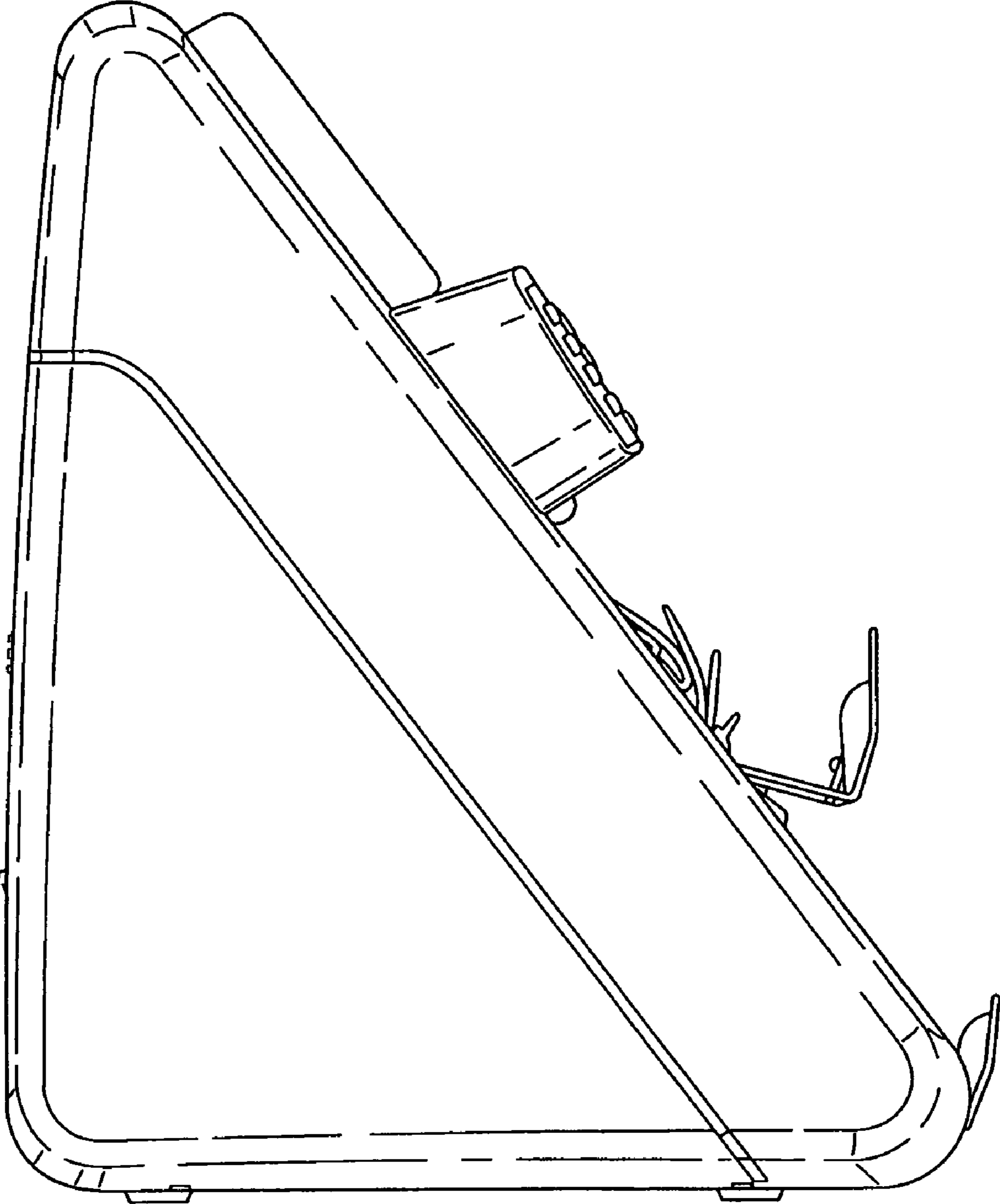


Fig.3.

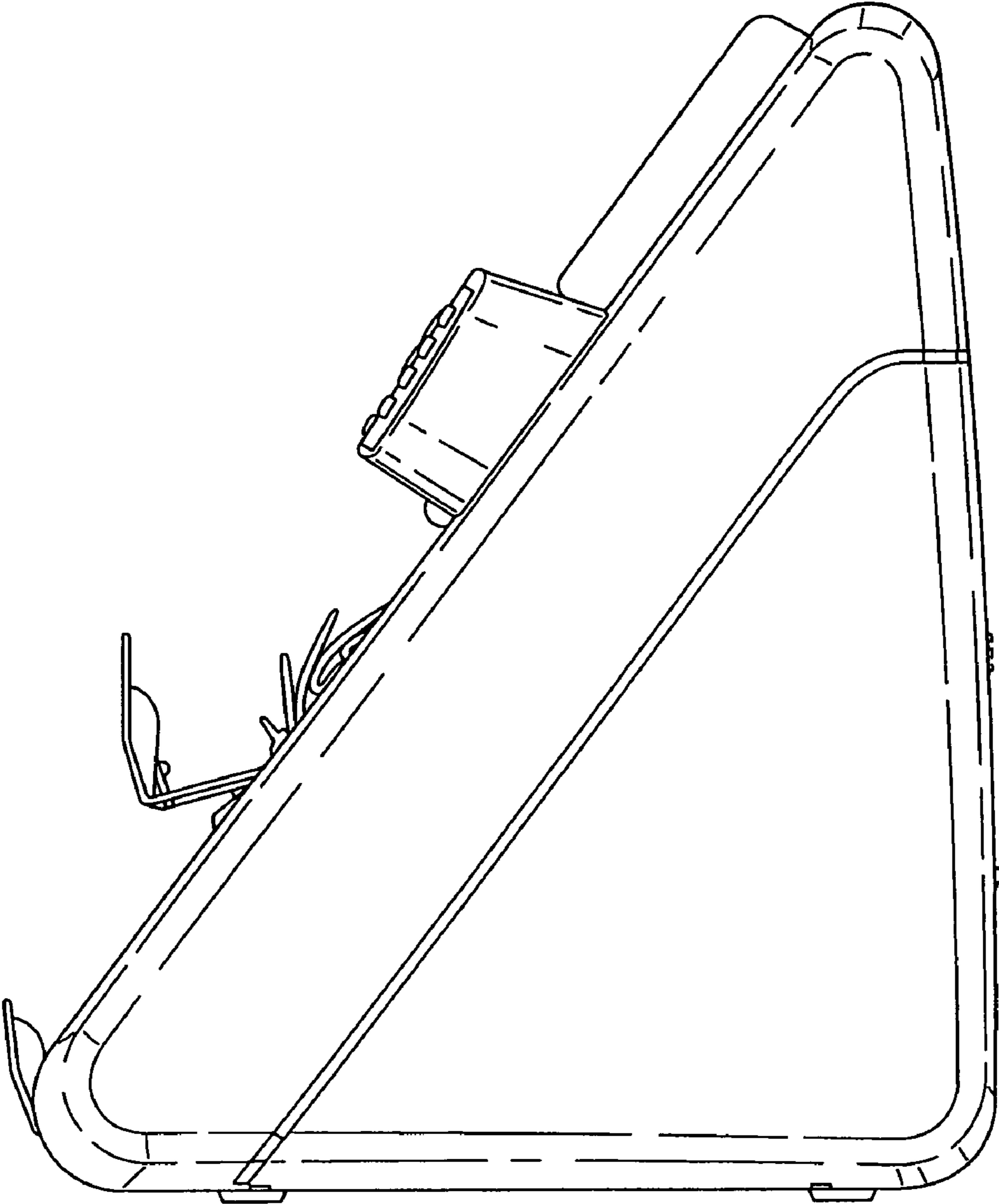


Fig.4.

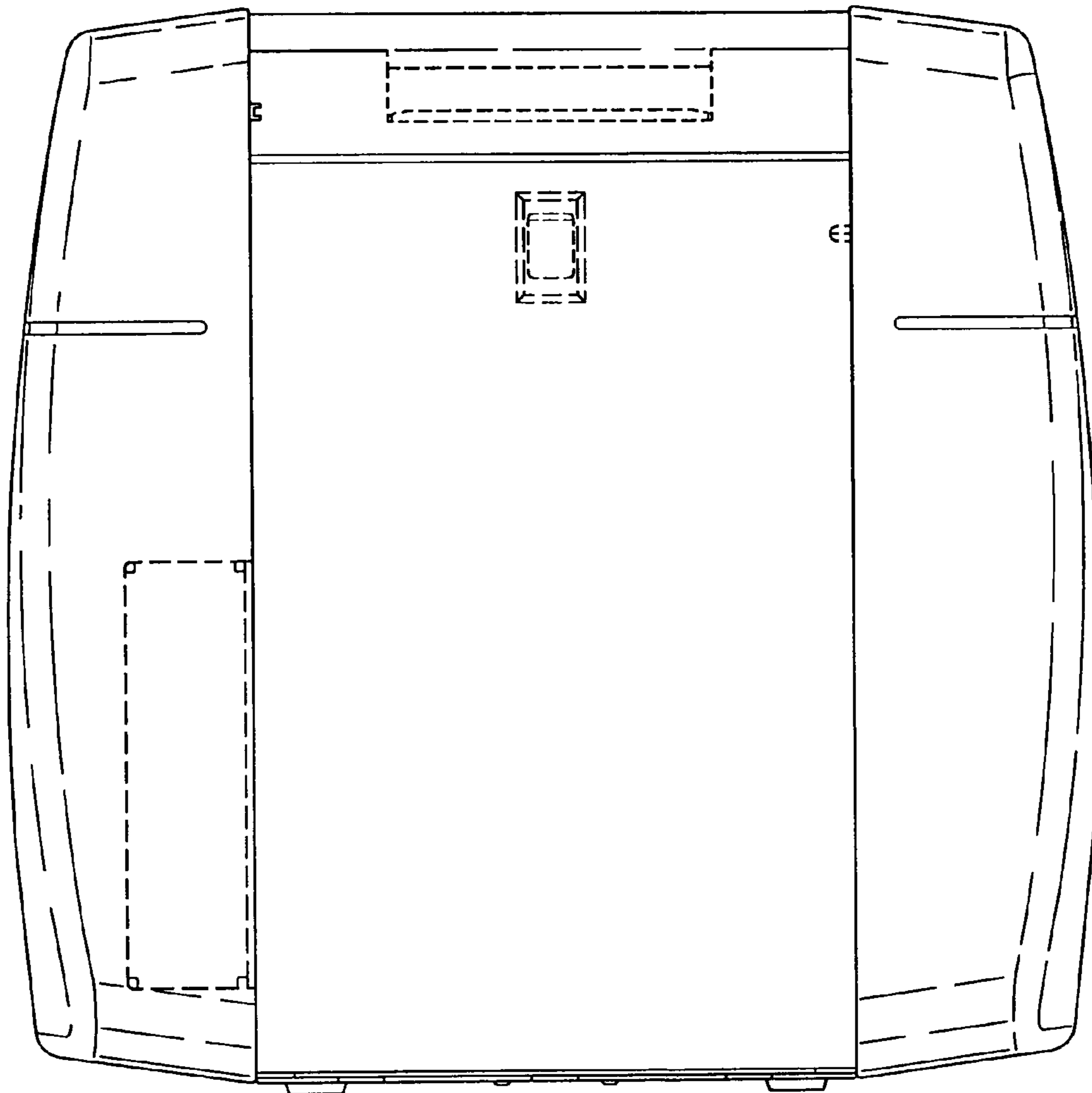


Fig.5.

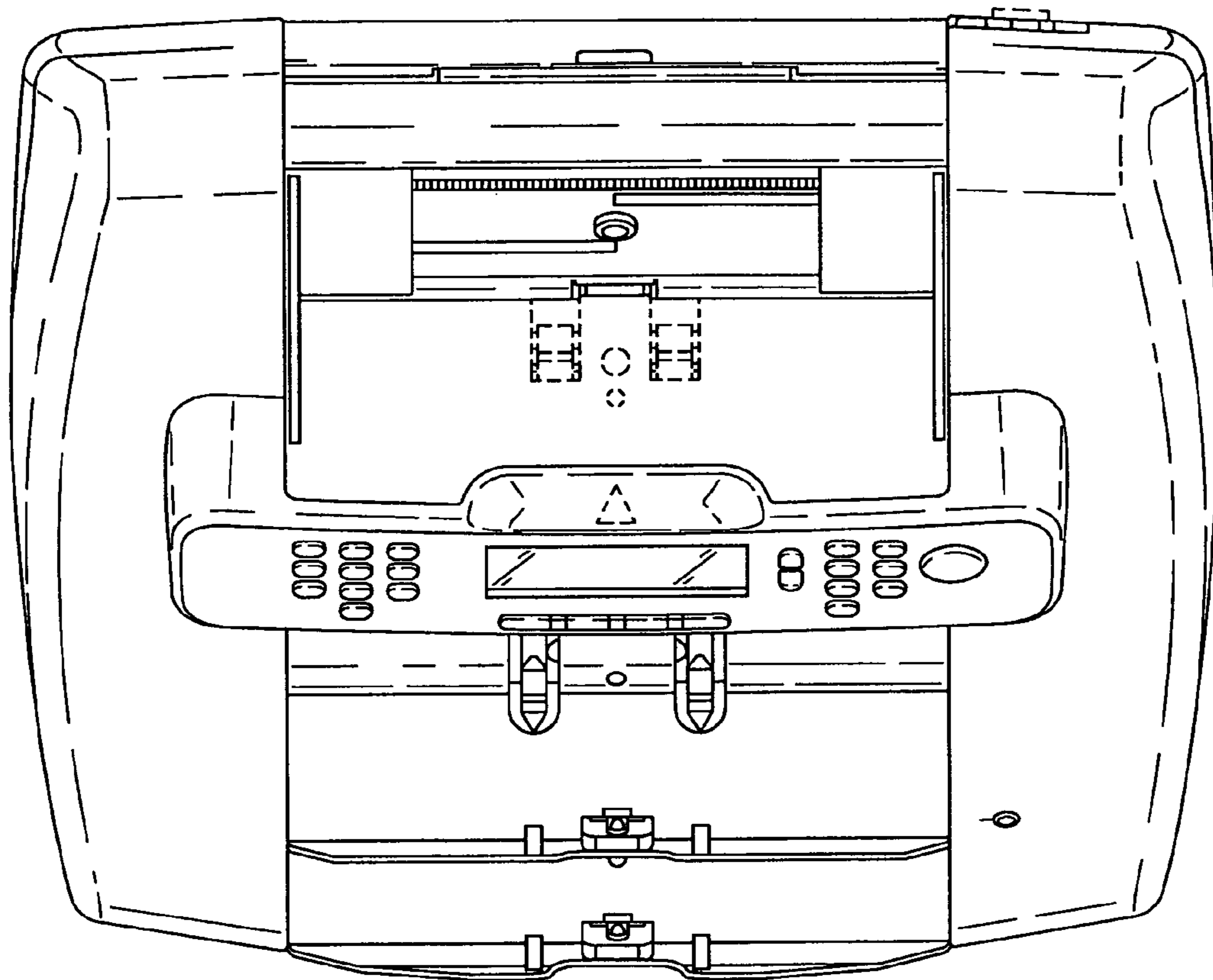


Fig.6.

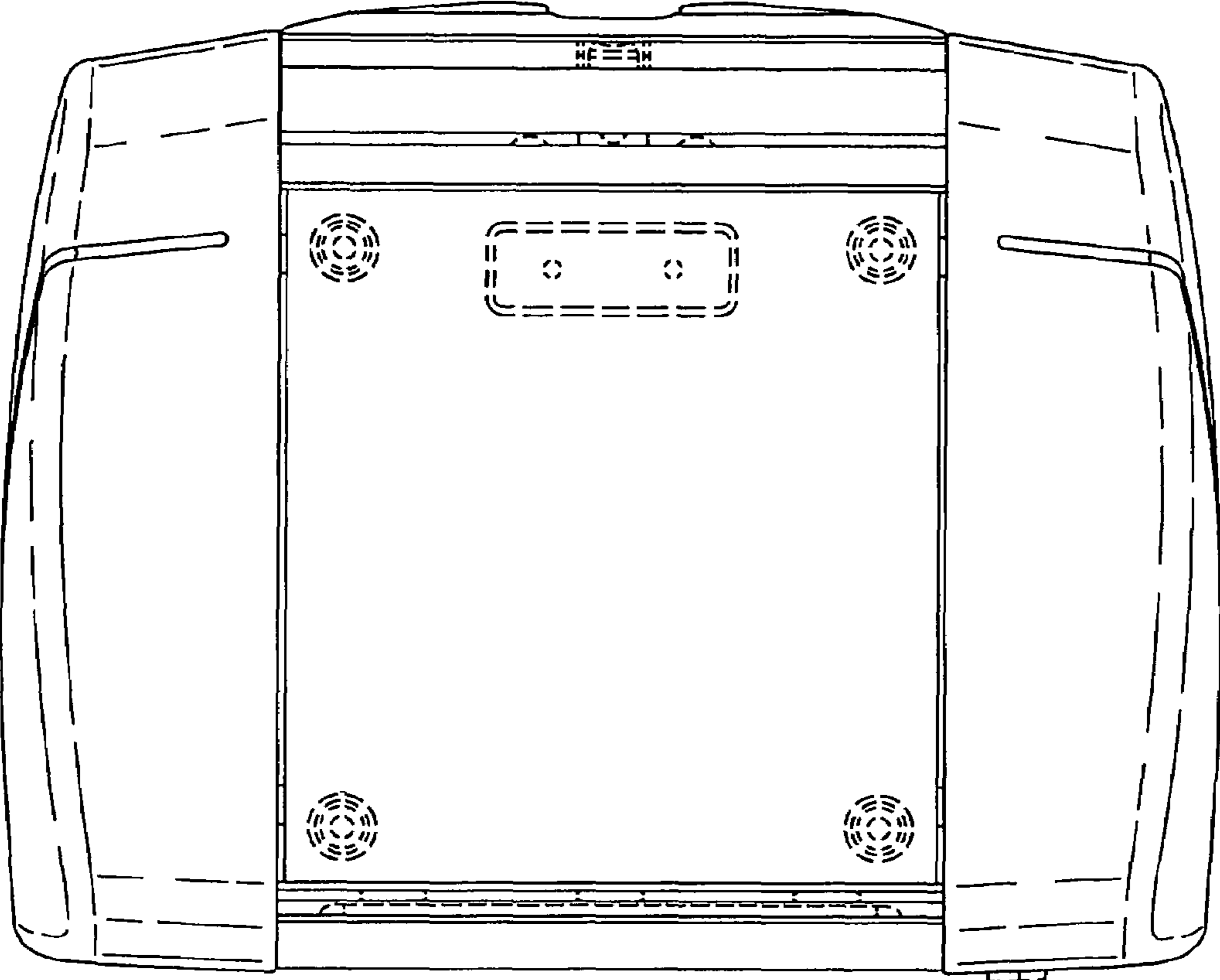


Fig.7.