



US00D582470S

(12) **United States Design Patent**  
**Sued et al.**

(10) **Patent No.:** **US D582,470 S**  
(45) **Date of Patent:** **\*\* Dec. 9, 2008**

(54) **SHREDDER**

(76) Inventors: **Charles Sued**, 3360 Bedford Ave.,  
Brooklyn, NY (US) 11210; **Aron**  
**Abramson**, 2025 E. 9 St., Brooklyn, NY  
(US) 11223

(\*\*) Term: **14 Years**

(21) Appl. No.: **29/281,593**

(22) Filed: **Jun. 26, 2007**

(51) **LOC (8) Cl.** ..... **18-04**

(52) **U.S. Cl.** ..... **D18/34.6**

(58) **Field of Classification Search** ..... D18/34.1-34.9;  
241/100, 236, 101.78, 36; 83/613, 614, 623,  
83/485, 57-68; 164/468; 30/294, 296.1,  
30/275.4, 276; D23/359

See application file for complete search history.

(56) **References Cited**

**U.S. PATENT DOCUMENTS**

D410,246 S *	5/1999	Holderfield	.....	D18/34.6
D437,343 S *	2/2001	Ho	.....	D18/34.6
D455,171 S *	4/2002	Ho	.....	D18/34.6
D498,253 S *	11/2004	Lo	.....	D18/34.6
D502,961 S *	3/2005	Lo	.....	D18/34.6
6,964,386 B2 *	11/2005	Ho	.....	241/236
D532,444 S *	11/2006	Kao et al.	.....	D18/34.4
D537,512 S *	2/2007	Nakajima	.....	D23/359
7,226,009 B2 *	6/2007	Matlin et al.	.....	241/100

D555,716 S *	11/2007	Chen	.....	D18/34.6
D557,732 S *	12/2007	Ho	.....	D18/34.6
D557,733 S *	12/2007	Ho	.....	D18/34.6
D557,735 S *	12/2007	Ho	.....	D18/34.6
D557,783 S *	12/2007	Yoo et al.	.....	D23/359
D565,714 S *	4/2008	Wolff et al.	.....	D23/359
7,398,936 B1 *	7/2008	Wang	.....	241/100
2004/0188553 A1 *	9/2004	Lo	.....	241/36

\* cited by examiner

*Primary Examiner*—Charles A Rademaker

(74) *Attorney, Agent, or Firm*—Garcia-Zamor IP Law; Ruy M. Garcia-Zamor

(57) **CLAIM**

The ornamental design for a shredder, as shown and described.

**DESCRIPTION**

FIG. 1 is a perspective view of a shredder showing our new design;

FIG. 2 is a top plan view thereof;

FIG. 3 is a front elevation thereof;

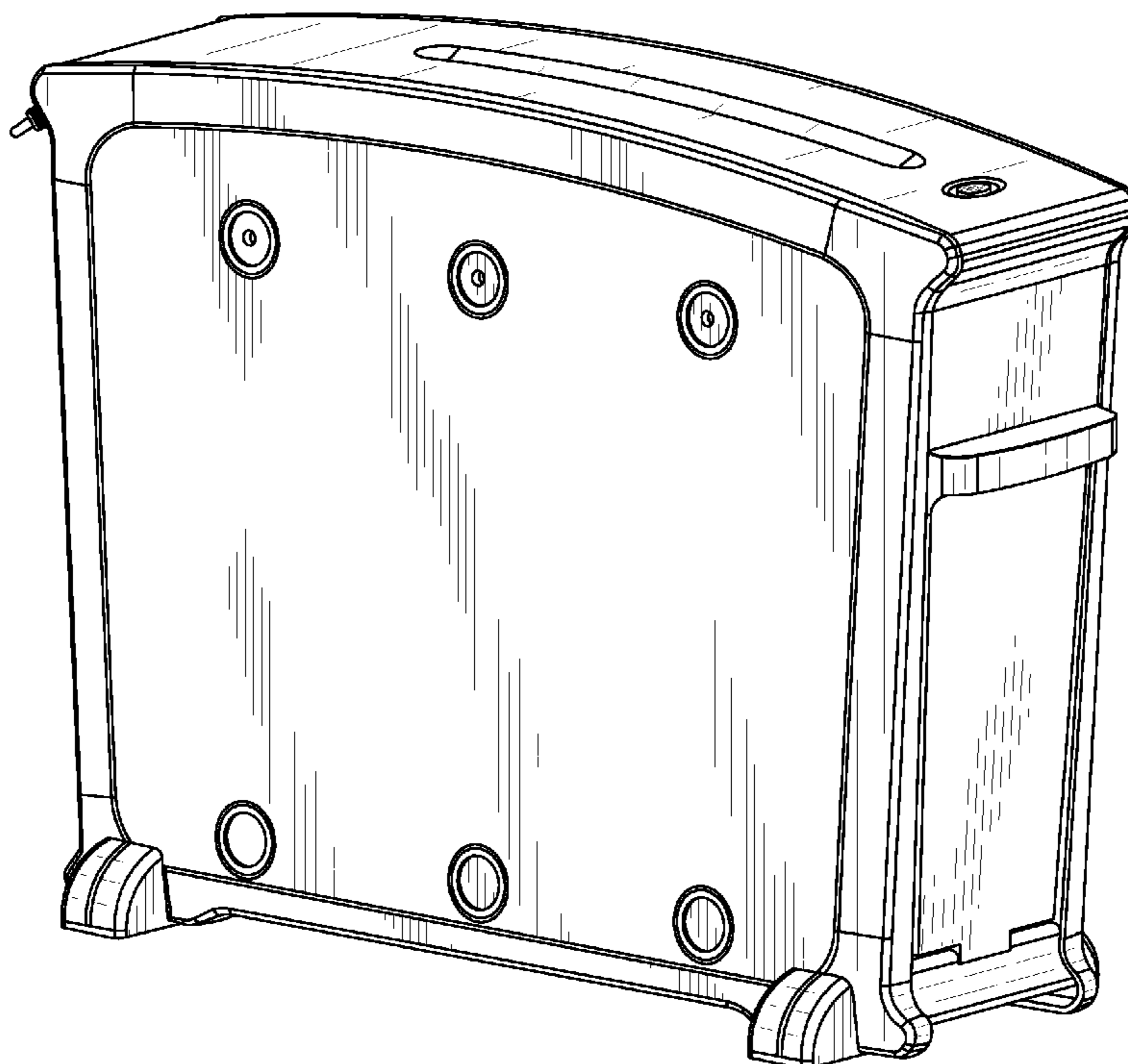
FIG. 4 is a bottom plan view thereof;

FIG. 5 is a rear elevation thereof;

FIG. 6 is a right side elevation thereof; and,

FIG. 7 is a left side elevation thereof.

**1 Claim, 4 Drawing Sheets**



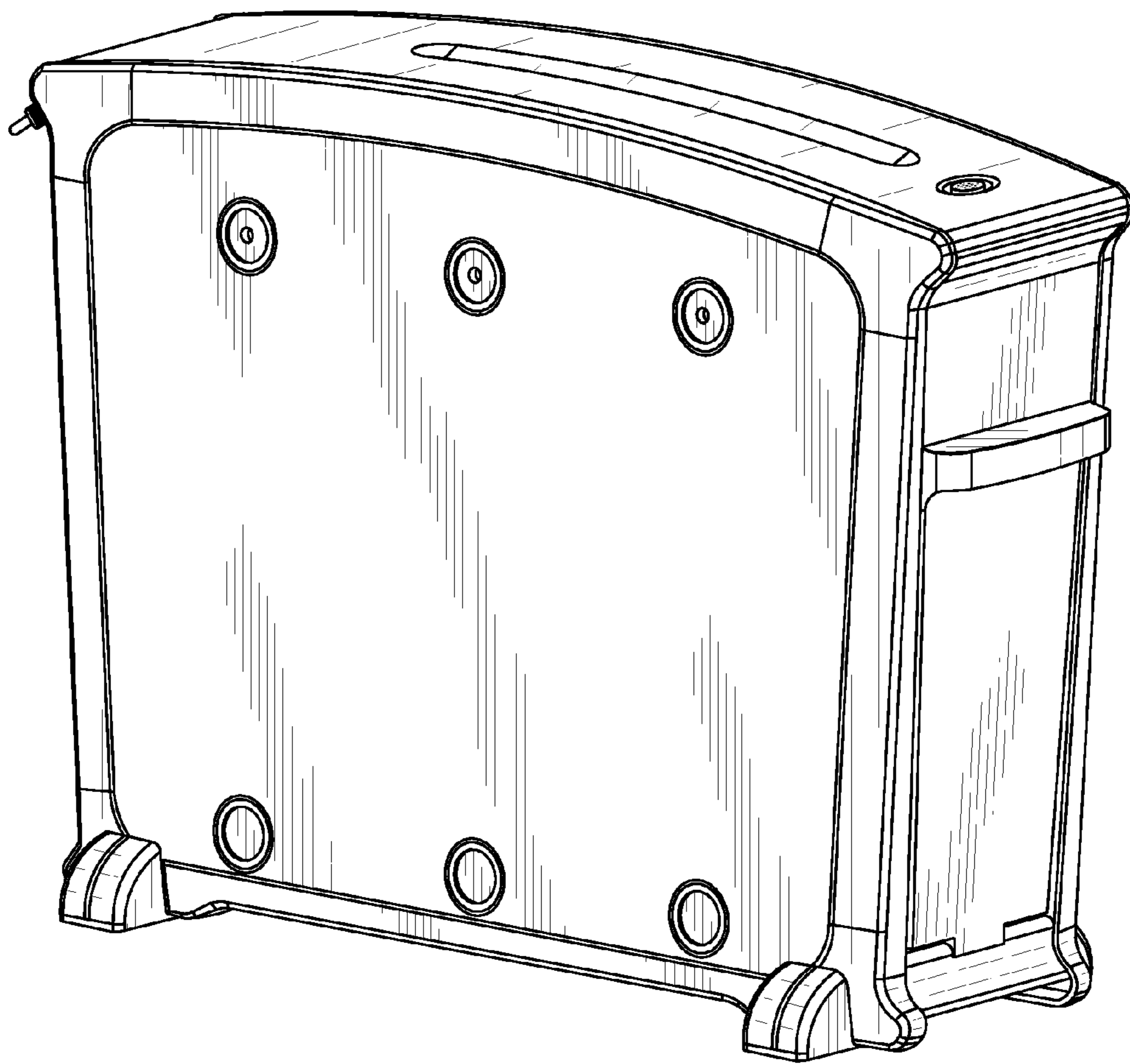


FIG. 1

FIG. 2

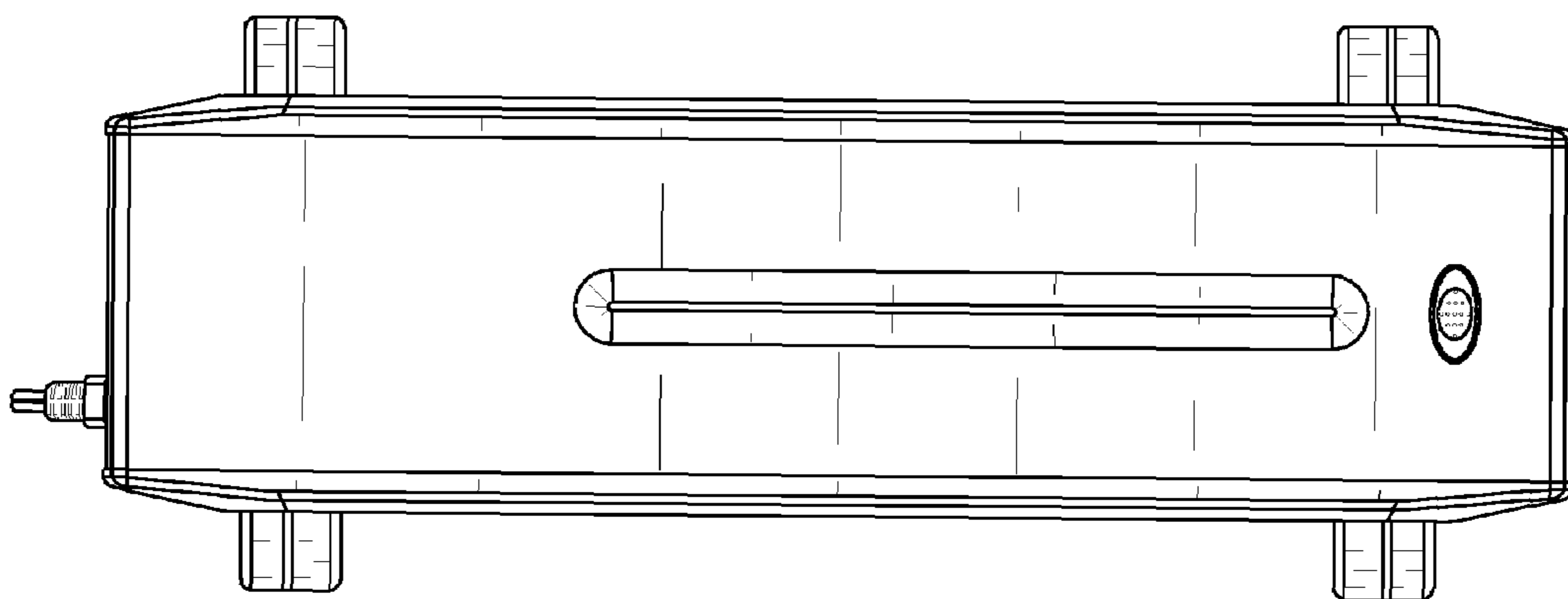


FIG. 3

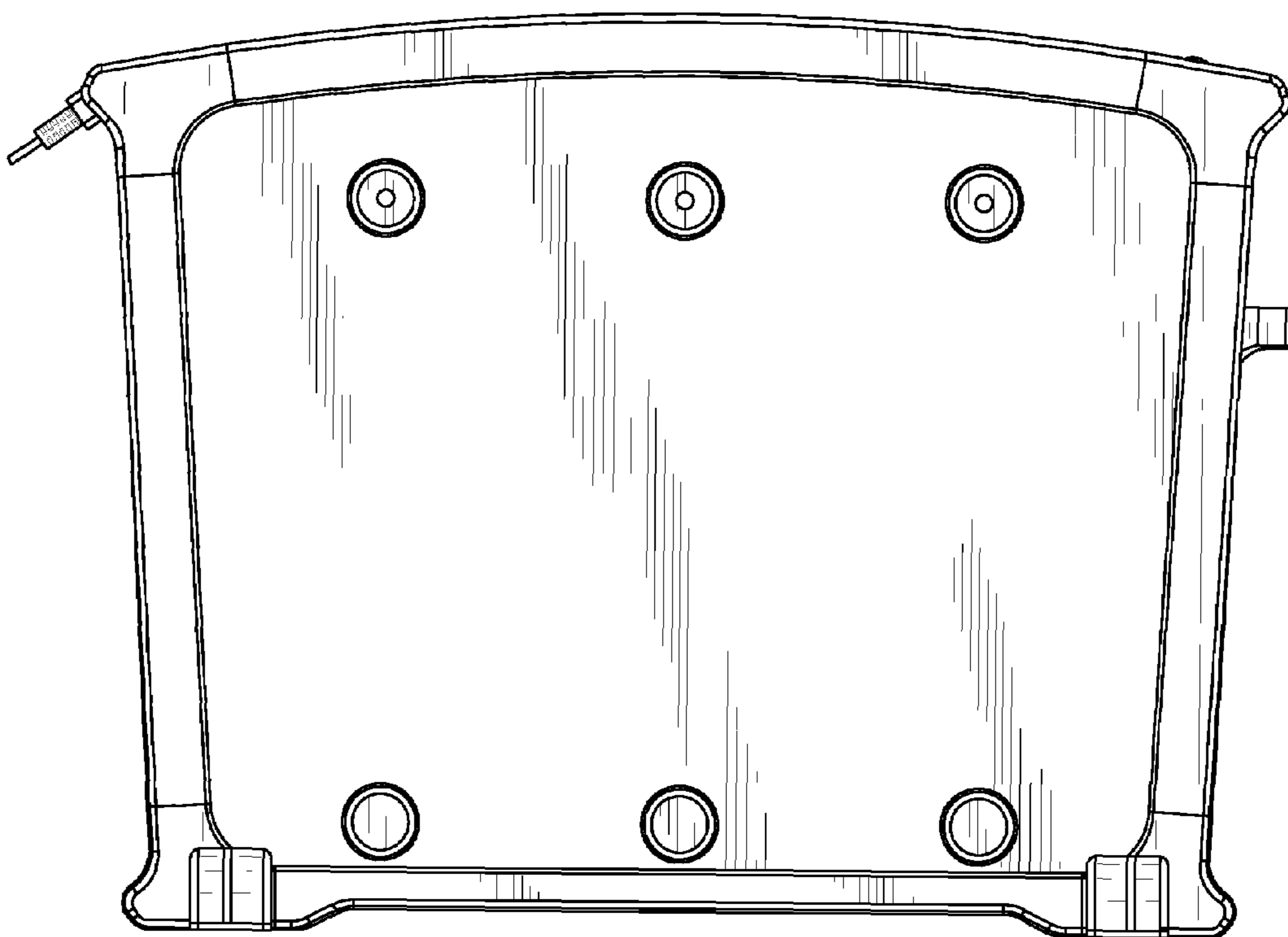


FIG. 4

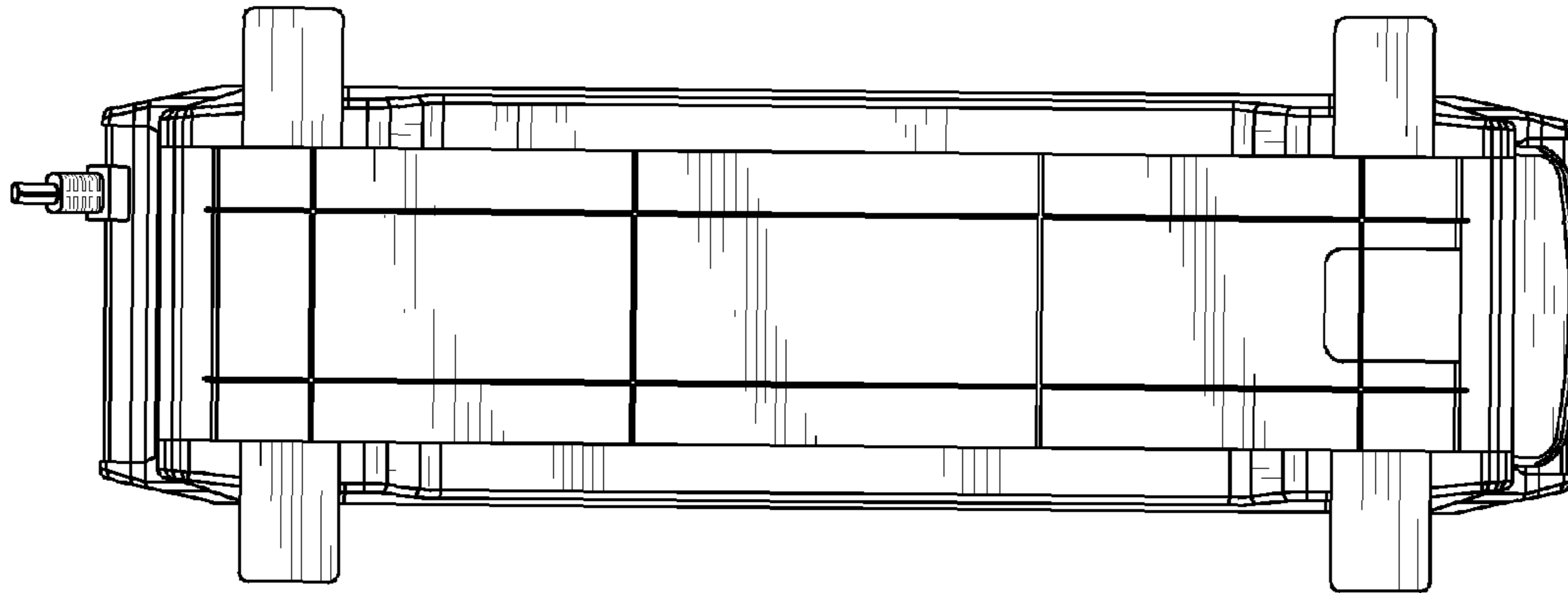


FIG. 5

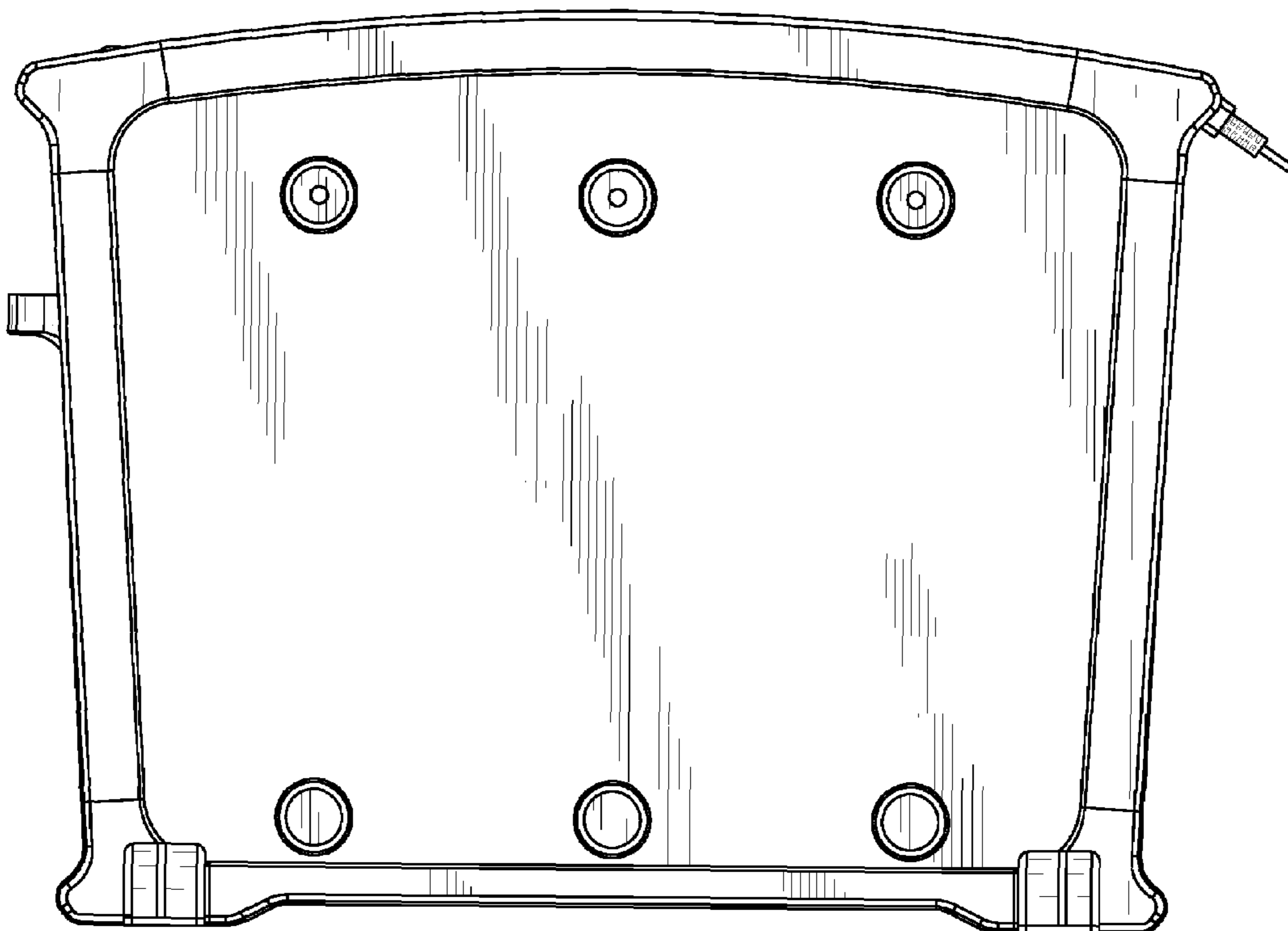


FIG. 6

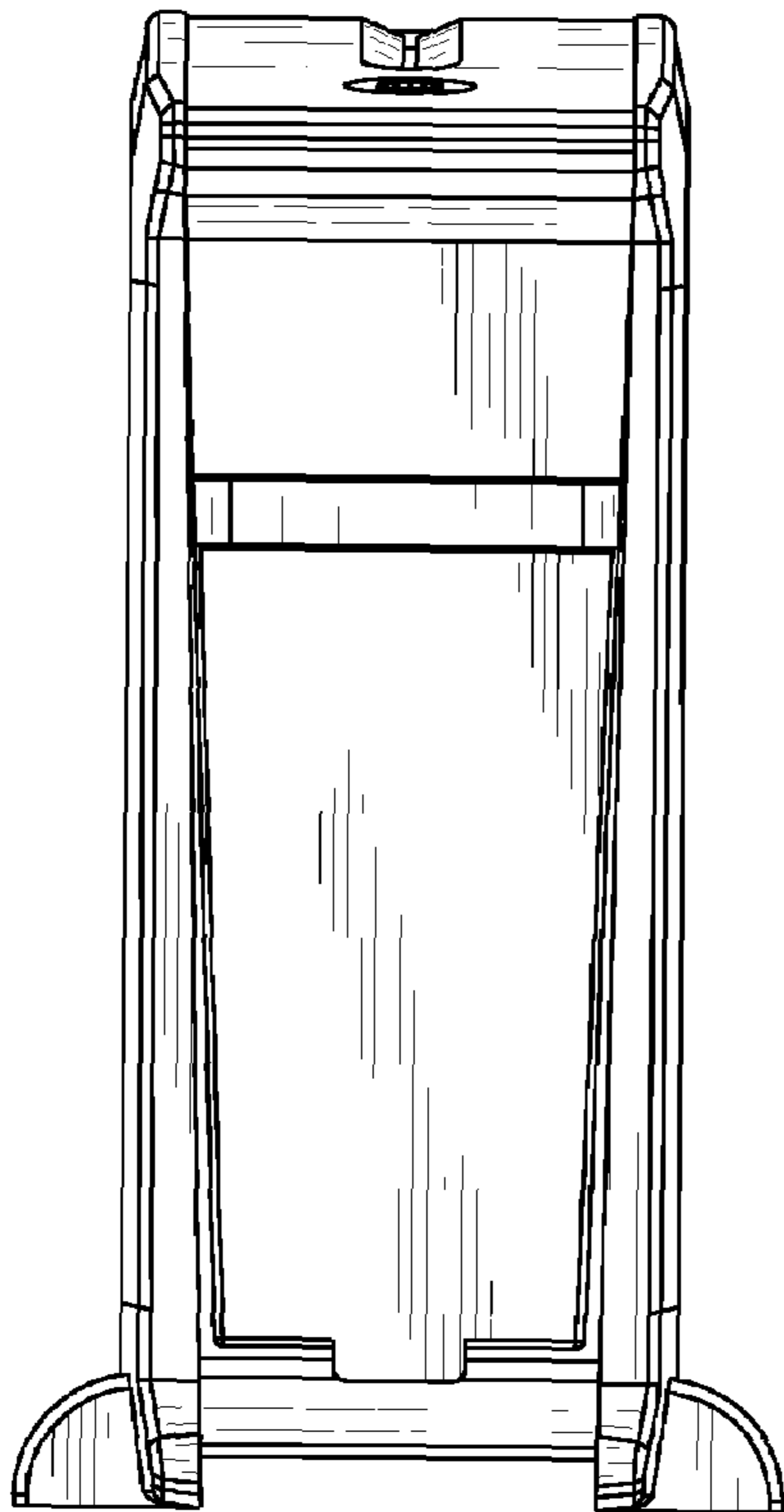


FIG. 7

