



US00D582465S

(12) **United States Design Patent**
Nakajima

(10) **Patent No.:** **US D582,465 S**

(45) **Date of Patent:** **** Dec. 9, 2008**

(54) **DIGITAL CAMERA**

(75) Inventor: **Kenzo Nakajima**, Hachioji (JP)

(73) Assignee: **Olympus Imaging Corp.**, Tokyo (JP)

(**) Term: **14 Years**

(21) Appl. No.: **29/306,810**

(22) Filed: **Apr. 16, 2008**

Related U.S. Application Data

(62) Division of application No. 29/271,810, filed on Jan. 25, 2007, now Pat. No. Des. 570,889.

Foreign Application Priority Data

(30) Dec. 28, 2006 (JP) 2006-036273
Dec. 28, 2006 (JP) 2006-036274

(51) **LOC (8) Cl.** **16-05**

(52) **U.S. Cl.** **D16/219; D16/202**

(58) **Field of Classification Search** D16/200–203,
D16/208, 218, 219; 348/373–376; 358/909.1;
396/535–541

See application file for complete search history.

(56) **References Cited**

U.S. PATENT DOCUMENTS

D501,497 S * 2/2005 Hayamizu D16/219

D548,255 S * 8/2007 Naito D16/202
D556,807 S * 12/2007 Senda D16/219
D559,297 S * 1/2008 Nakamura D16/219
D571,389 S * 6/2008 Naito D16/219
2006/0139457 A1 * 6/2006 Liao 348/373

* cited by examiner

Primary Examiner—Adir Aronovich

(74) *Attorney, Agent, or Firm*—John C. Pokotylo; Straub and Pokotylo

(57) **CLAIM**

The ornamental design for a digital camera, as shown and described.

DESCRIPTION

FIG. 1 is a front, top and right side perspective view of a digital camera, showing my new design;

FIG. 2 is a front elevational view thereof;

FIG. 3 is a rear elevational view thereof;

FIG. 4 is a top plan view thereof;

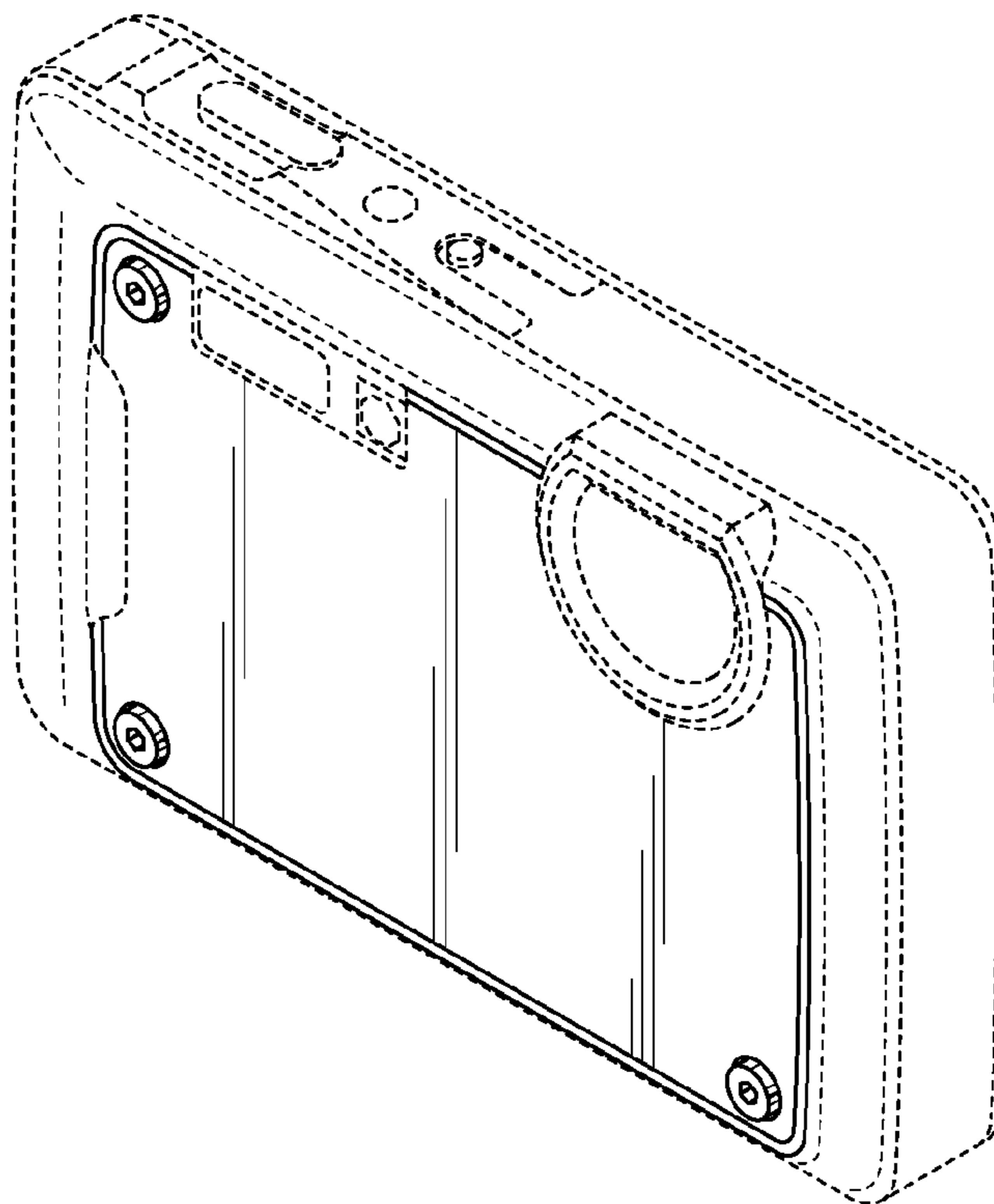
FIG. 5 is a bottom plan view thereof;

FIG. 6 is a left side elevational view thereof; and,

FIG. 7 is a right side elevational view thereof.

The portions of the camera in broken lines are shown for illustrative purposes only and form no part of the claimed design.

1 Claim, 3 Drawing Sheets



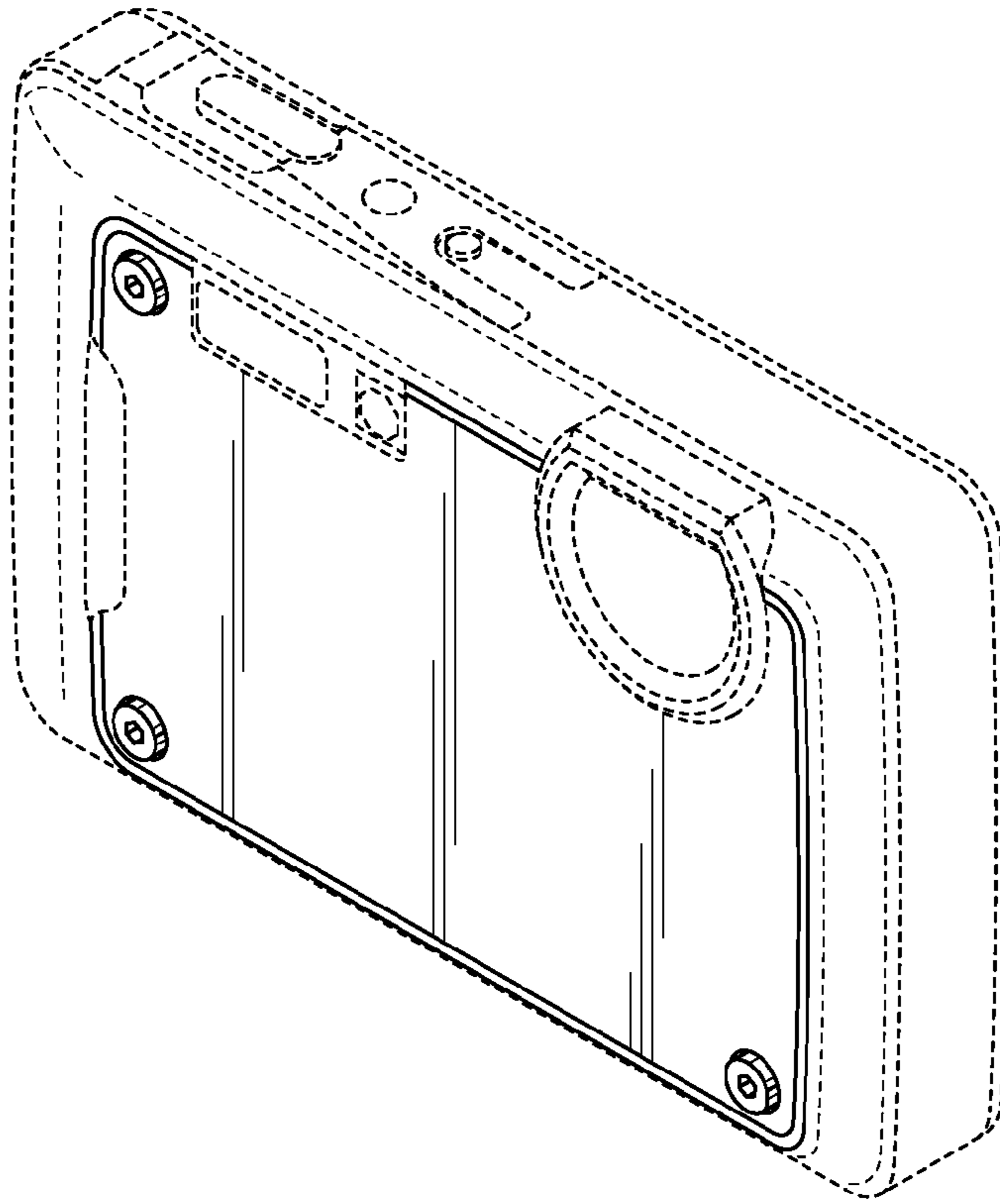


FIG.1

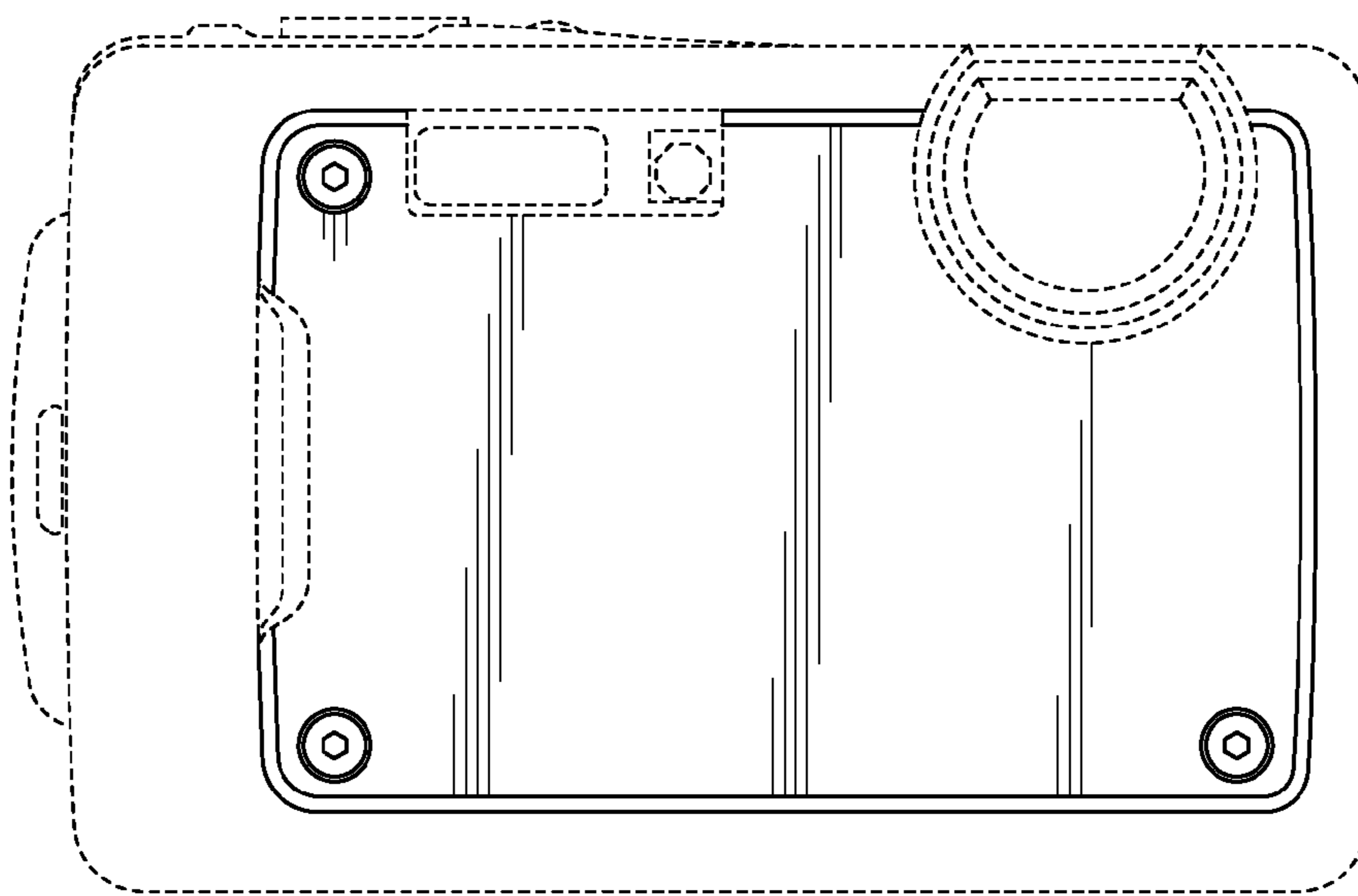


FIG.2

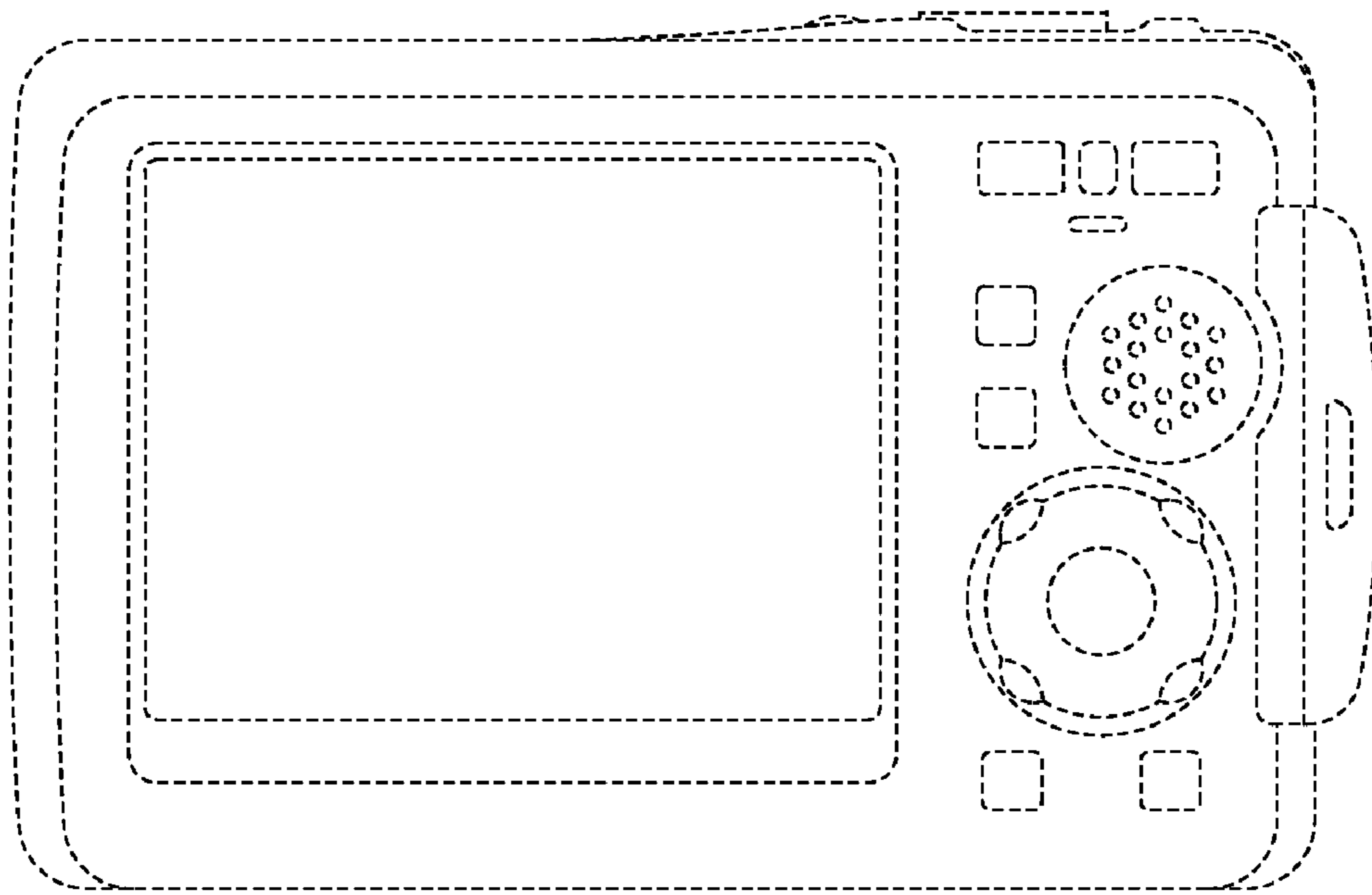


FIG.3

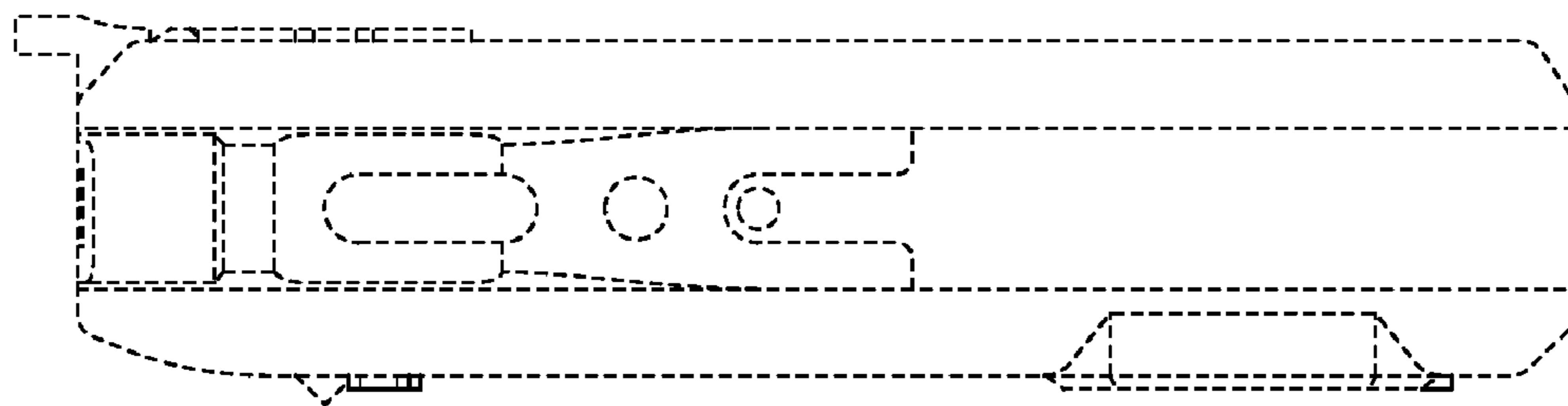


FIG.4

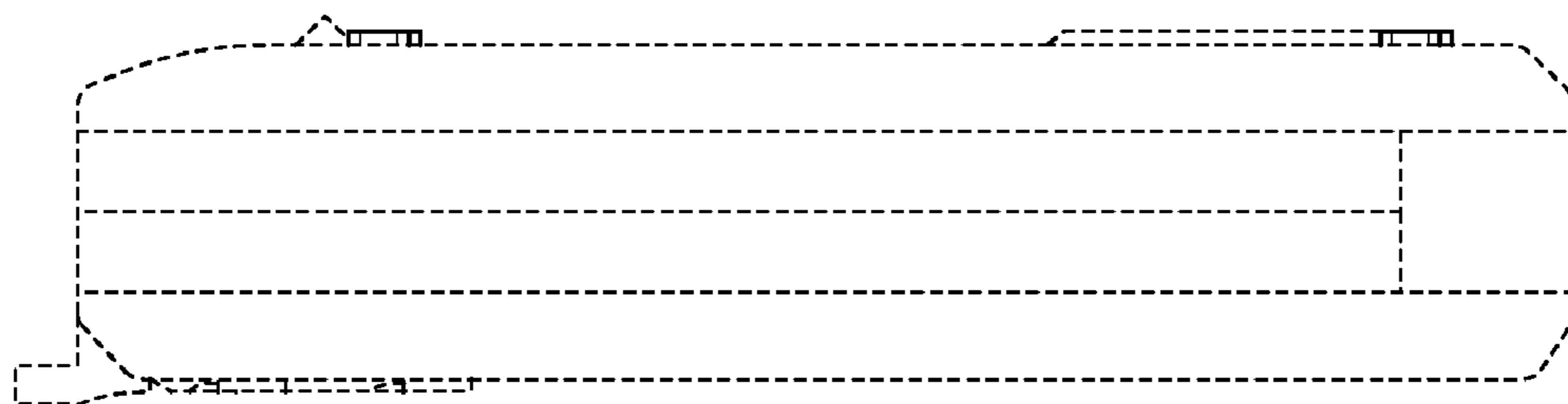


FIG.5

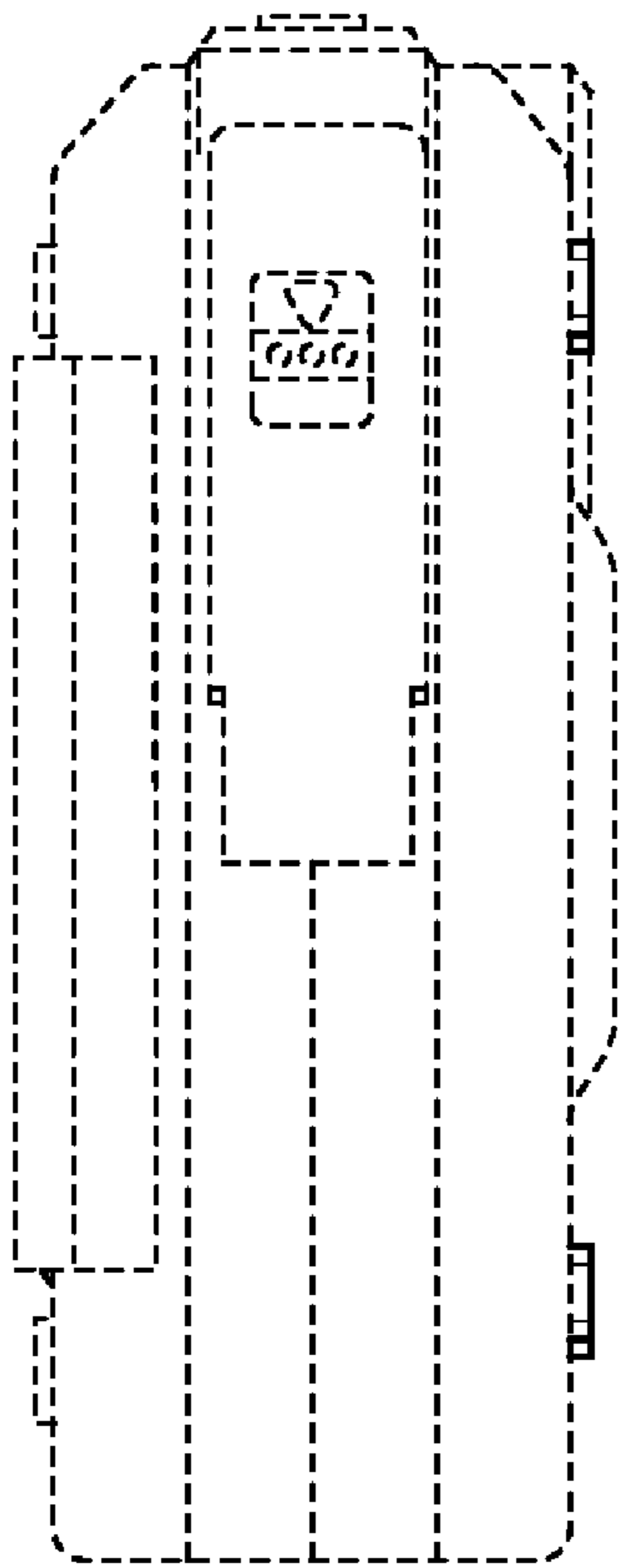


FIG. 6

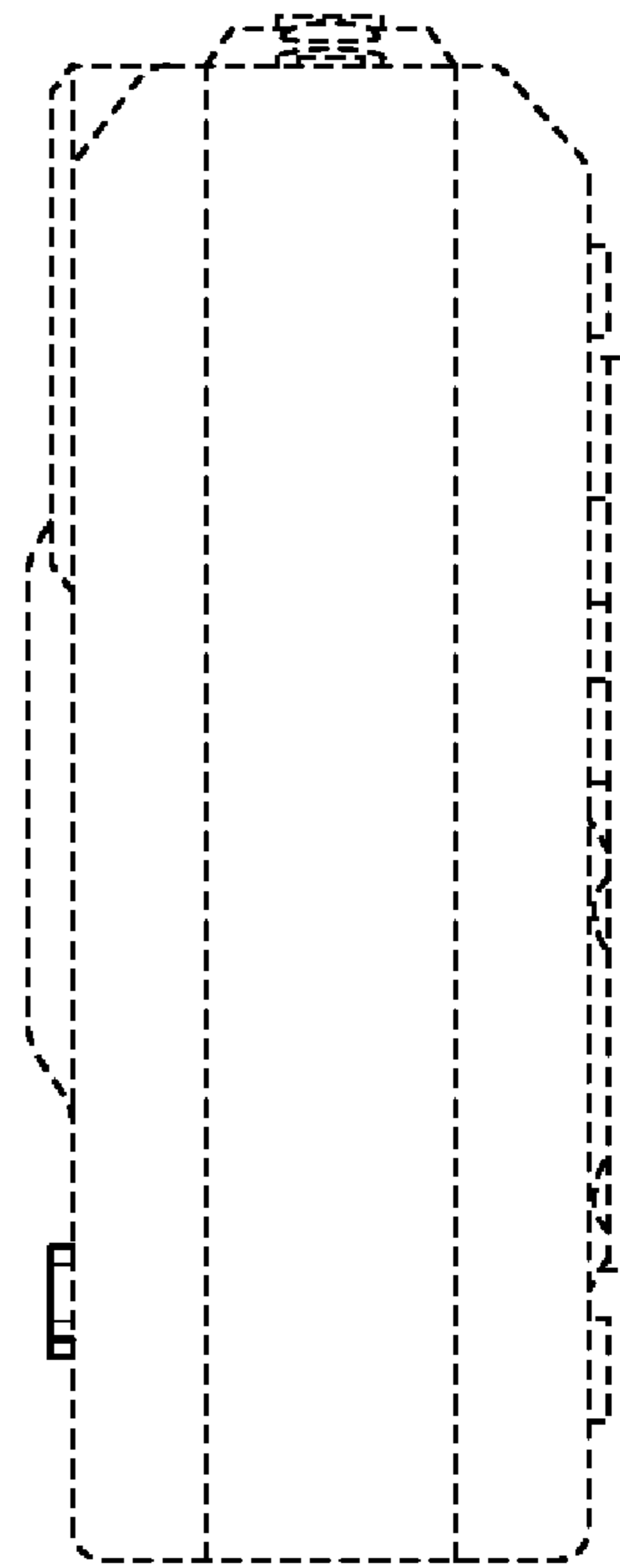


FIG. 7