



US00D582464S

(12) **United States Design Patent**
Imai

(10) **Patent No.:** **US D582,464 S**
(45) **Date of Patent:** **** Dec. 9, 2008**

(54) **ELECTRONIC CAMERA**

D557,303 S * 12/2007 Inaba D16/202
D559,295 S * 1/2008 Imai D16/219

(75) Inventor: **Masazumi Imai**, Tokyo (JP)

* cited by examiner

(73) Assignee: **Fujifilm Corporation**, Tokyo (JP)

Primary Examiner—Adir Aronovich
(74) *Attorney, Agent, or Firm*—Young & Thompson

(**) Term: **14 Years**

(21) Appl. No.: **29/302,748**

(22) Filed: **Jan. 24, 2008**

(57) **CLAIM**

The ornamental design for an electronic camera, as shown and described.

(30) **Foreign Application Priority Data**

Jul. 25, 2007 (JP) 2007-020184

DESCRIPTION

(51) **LOC (8) Cl.** **16-05**

FIG. 1 is a top, front and left side perspective view of an electronic camera showing my new design.

(52) **U.S. Cl.** **D16/219; D16/202**

FIG. 2 is a front elevational view thereof;

(58) **Field of Classification Search** D16/200–204,

FIG. 3 is a rear elevational view thereof;

D16/208, 218, 219; 348/373–376; 358/909.1;

FIG. 4 is a top plan view thereof;

396/535–541

FIG. 5 is a bottom plan view thereof;

See application file for complete search history.

FIG. 6 is a left side elevational view thereof; and,

(56) **References Cited**

FIG. 7 is a right side elevational view thereof.

U.S. PATENT DOCUMENTS

The portions of the electronic camera in broken lines are shown for illustrative purposes only and form no part of the claimed design.

D406,600 S * 3/1999 Tanaka D16/218

D430,186 S * 8/2000 Suzuki et al. D16/218

D524,348 S * 7/2006 Nagayama et al. D16/219

D535,314 S * 1/2007 Chang D16/202

1 Claim, 4 Drawing Sheets

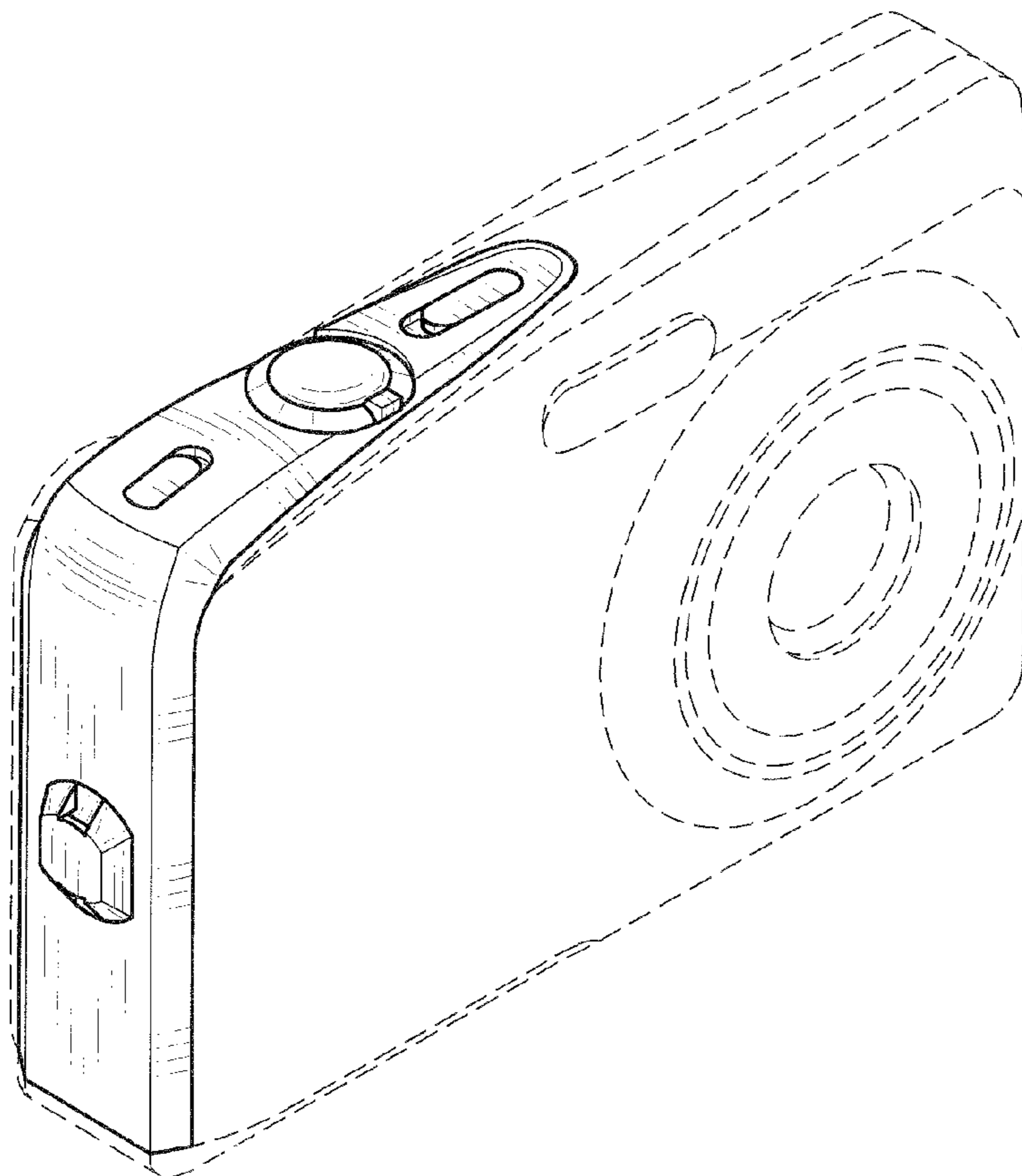


FIG.1

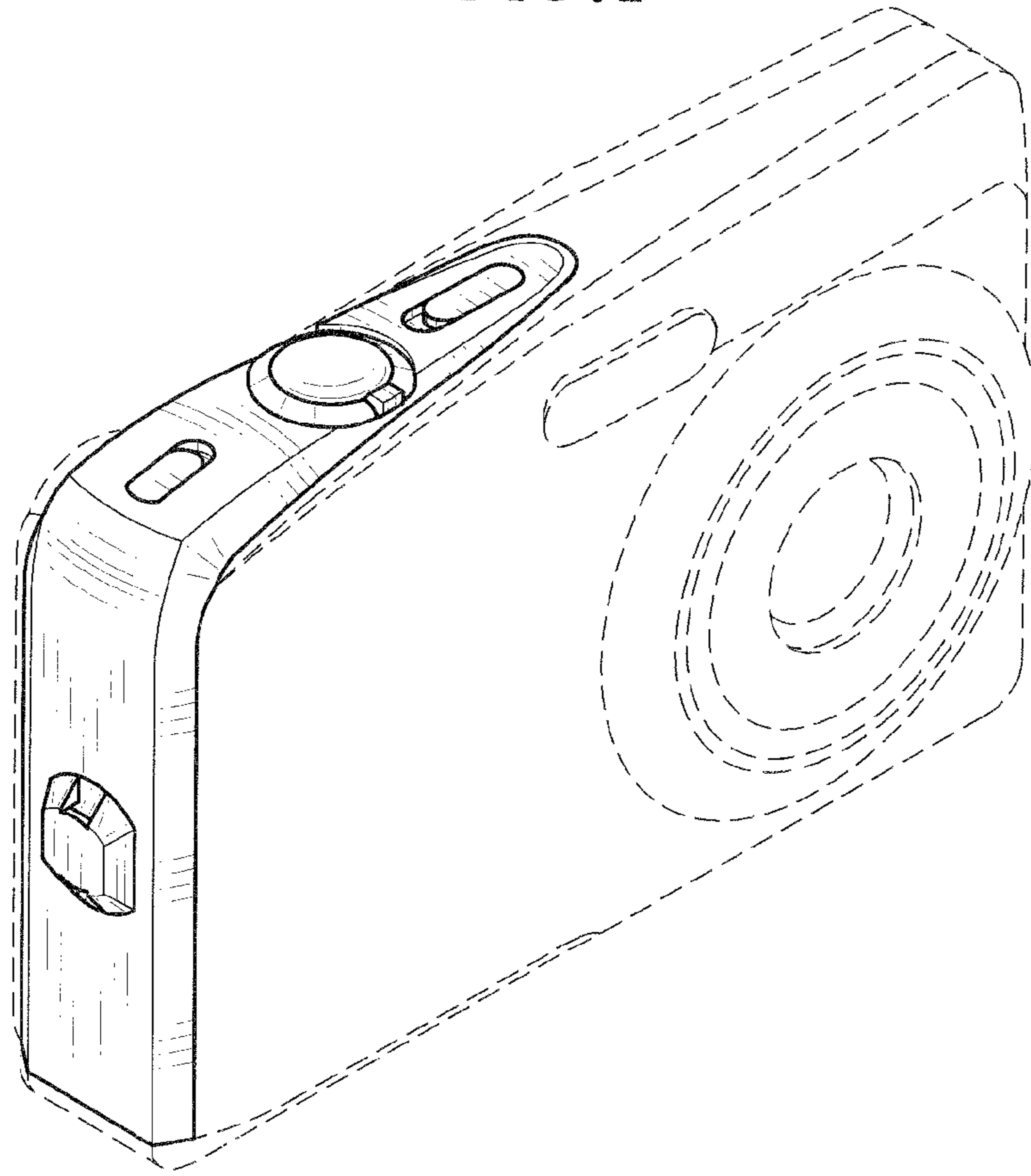


FIG.2

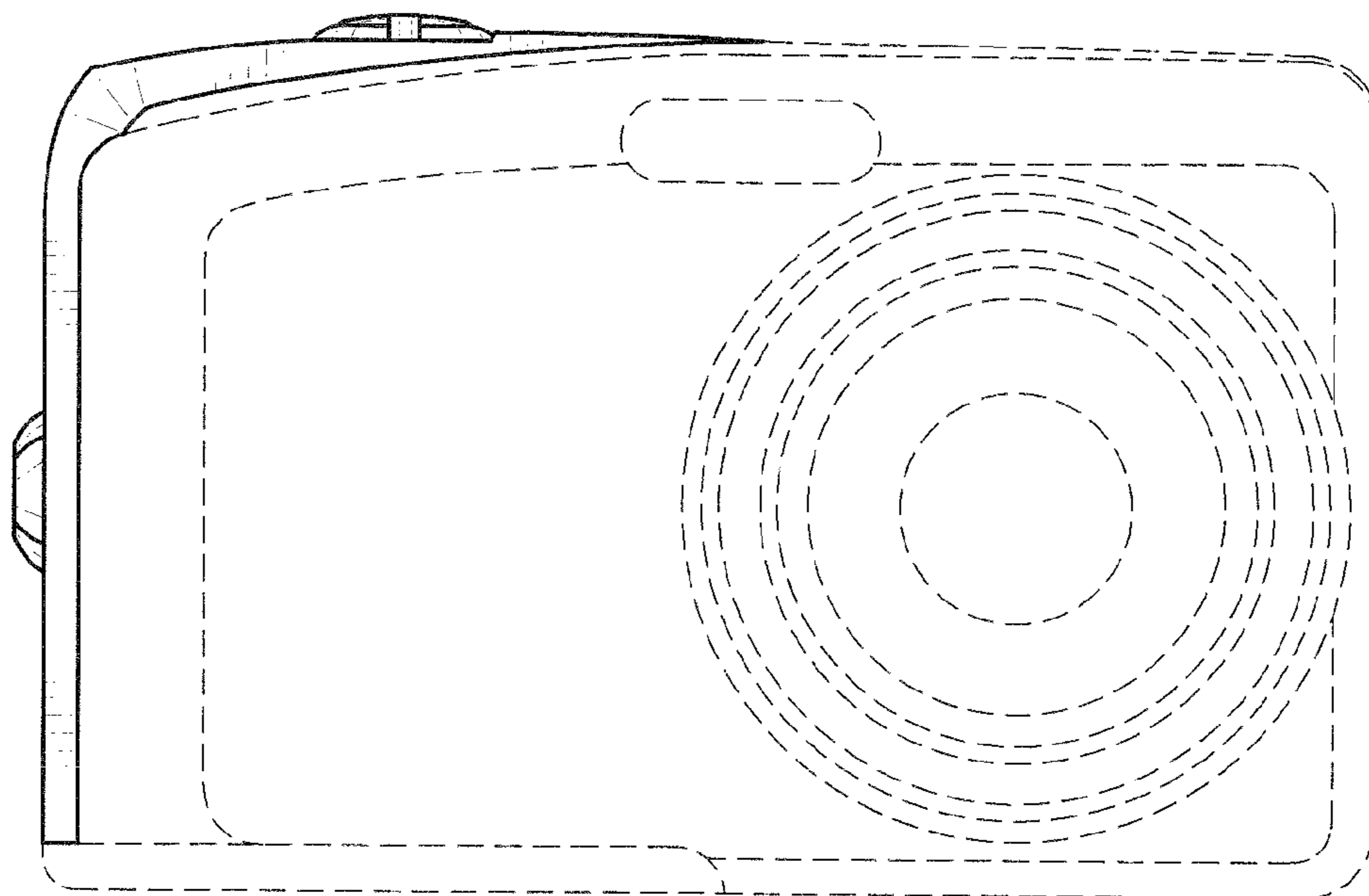


FIG. 3

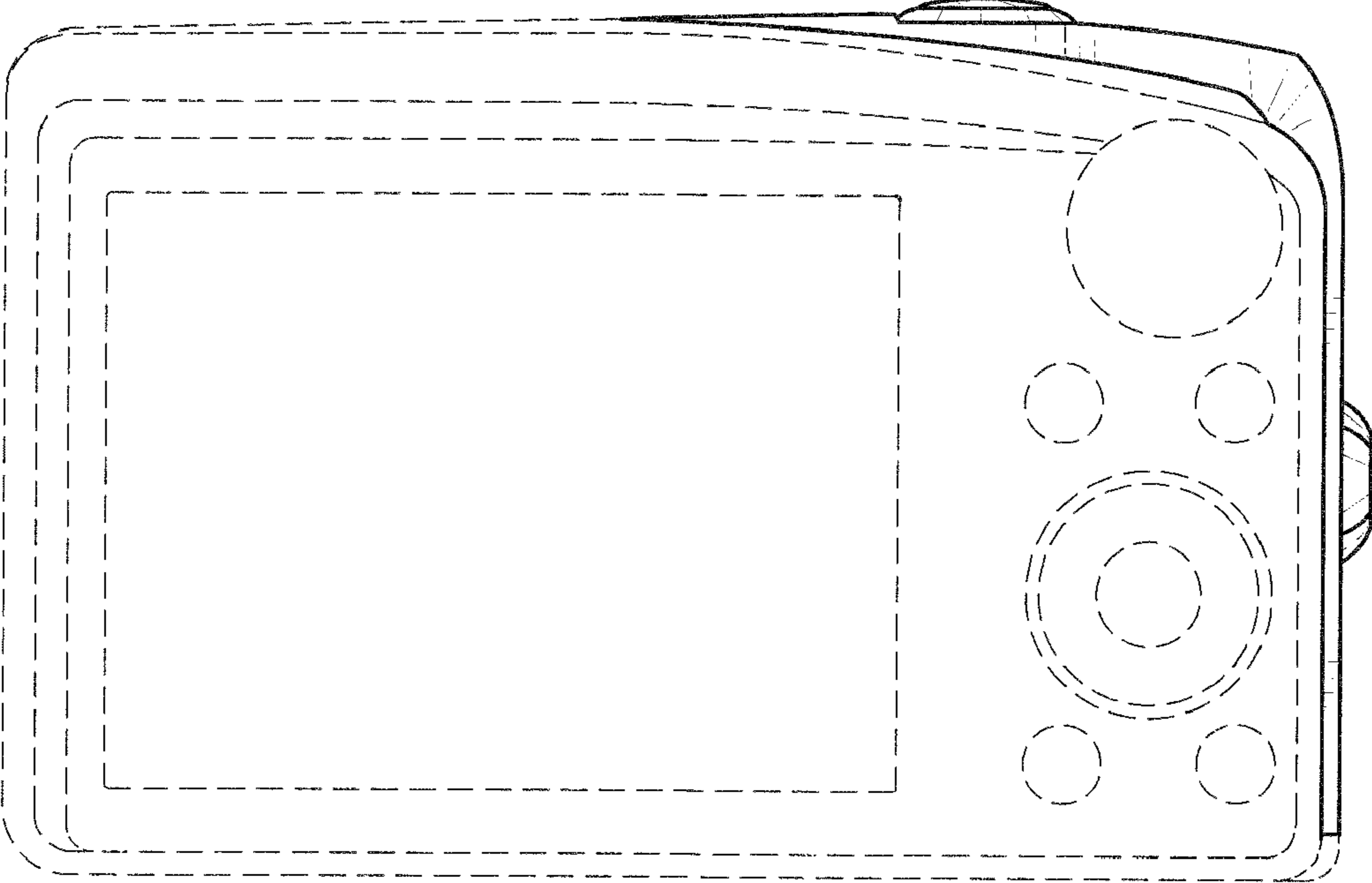


FIG. 4

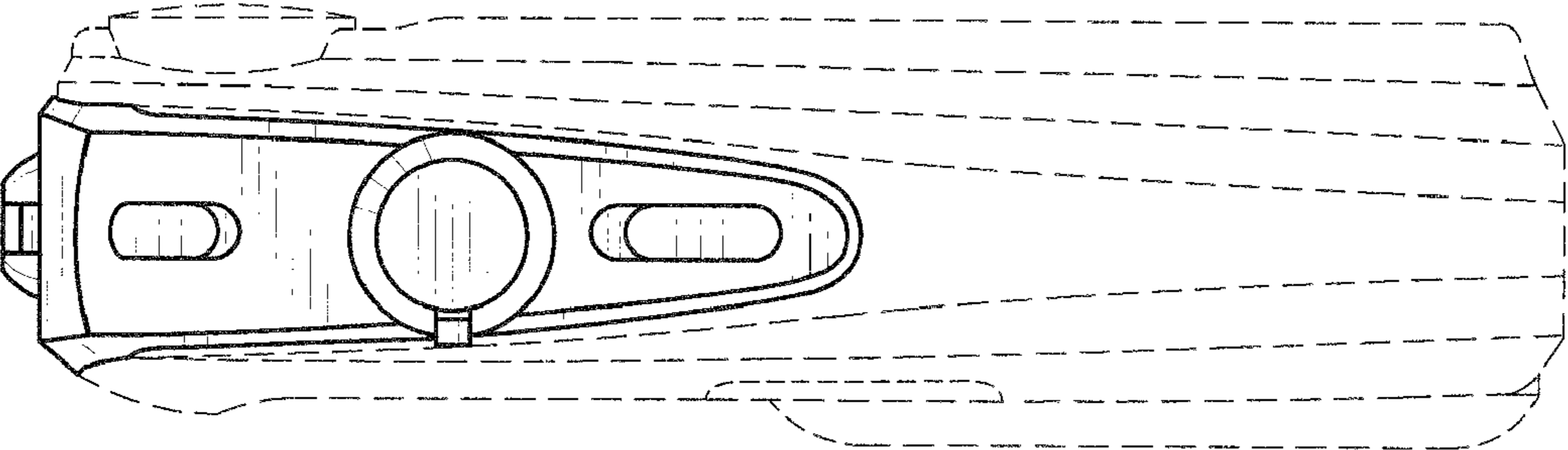


FIG. 5

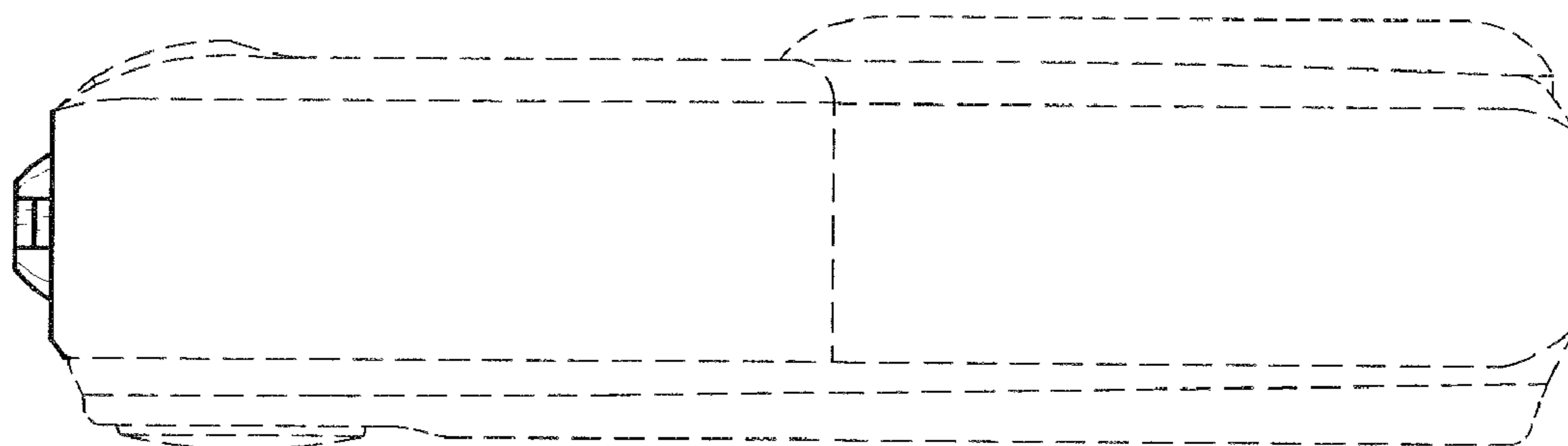


FIG. 6

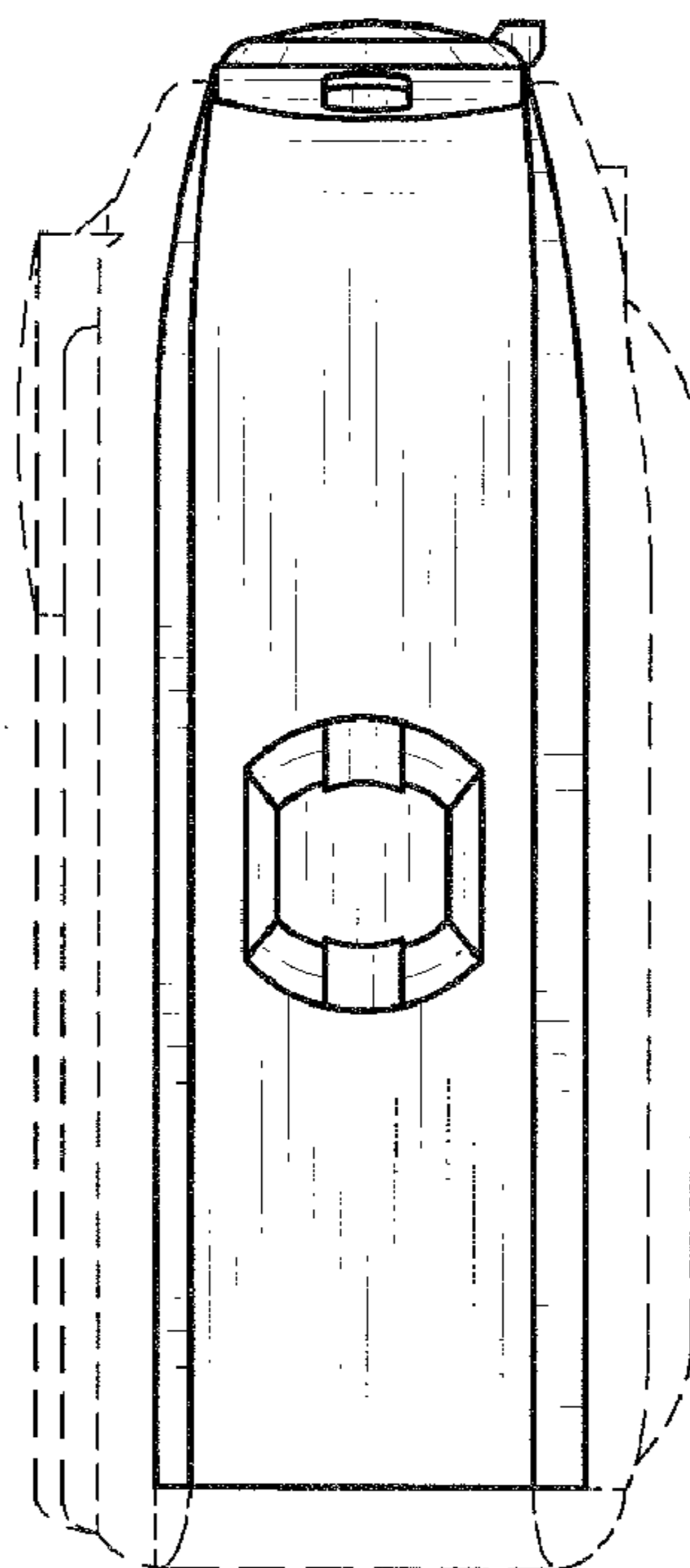


FIG. 7

