

US00D582462S

(12) **United States Design Patent**
Hayashi

(10) **Patent No.:** **US D582,462 S**
(45) **Date of Patent:** **** Dec. 9, 2008**

(54) **DIGITAL CAMERA**

(75) Inventor: **Tatsuyuki Hayashi**, Saitama (JP)

(73) Assignee: **Pentax Corporation**, Tokyo (JP)

(**) Term: **14 Years**

(21) Appl. No.: **29/274,401**

(22) Filed: **Apr. 23, 2007**

(30) **Foreign Application Priority Data**

Oct. 26, 2006 (JP) 2006-029195

(51) **LOC (8) Cl.** **16-05**

(52) **U.S. Cl.** **D16/219; D16/202**

(58) **Field of Classification Search** D16/200–205,
D16/208, 218–219; 348/373–376; 396/535–541;
358/906, 909.1

See application file for complete search history.

(56) **References Cited**

U.S. PATENT DOCUMENTS

- 6,650,838 B2 * 11/2003 Tanaka et al. 396/539
- D487,283 S * 3/2004 Watanabe D16/202
- D503,417 S * 3/2005 Kawase D16/202
- D525,275 S * 7/2006 Nagayama et al. D16/219
- D526,675 S * 8/2006 Nasu D16/219
- D532,029 S * 11/2006 Kim D16/202
- D540,365 S * 4/2007 Sakai D16/219
- D545,336 S * 6/2007 Kawase D16/219
- D546,862 S * 7/2007 Tainaka D16/219

D554,677 S * 11/2007 Yoshii D16/202

OTHER PUBLICATIONS

U.S. Appl. No. 29/274,400, filed Apr. 23, 2007, Tatsuyuki Hayashi.

U.S. Appl. No. 29/274,402, filed Apr. 23, 2007, Tatsuyuki Hayashi.

* cited by examiner

Primary Examiner—Ian Simmons

Assistant Examiner—Wan Laymon

(74) *Attorney, Agent, or Firm*—Sughrue Mion, PLLC

(57) **CLAIM**

The ornamental design for a digital camera, as shown and described.

DESCRIPTION

FIG. 1 is a perspective view of the top, front and left side of a digital camera showing my new design;

FIG. 2 is a top plan view thereof;

FIG. 3 is a front elevational view thereof;

FIG. 4 is a rear elevational view thereof;

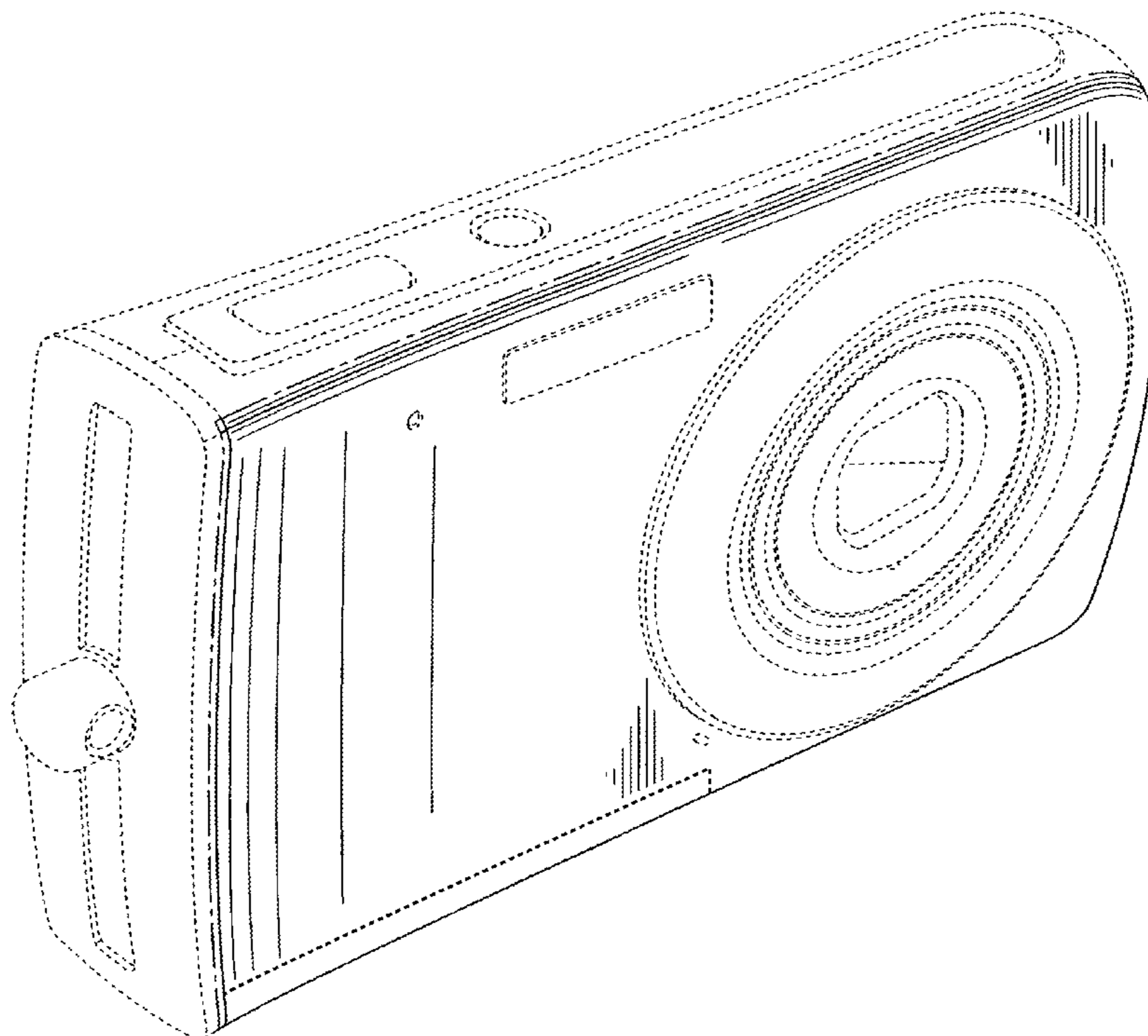
FIG. 5 is a bottom plan view thereof;

FIG. 6 is a left side elevational view thereof; and,

FIG. 7 is a right side elevational view thereof.

The portions shown in broken lines are for illustrative purposes only and form no part of the claimed design. The dot-dash line represents a border between the claimed subject matter and the unclaimed environmental subject matter and forms no part of the claimed design.

1 Claim, 6 Drawing Sheets



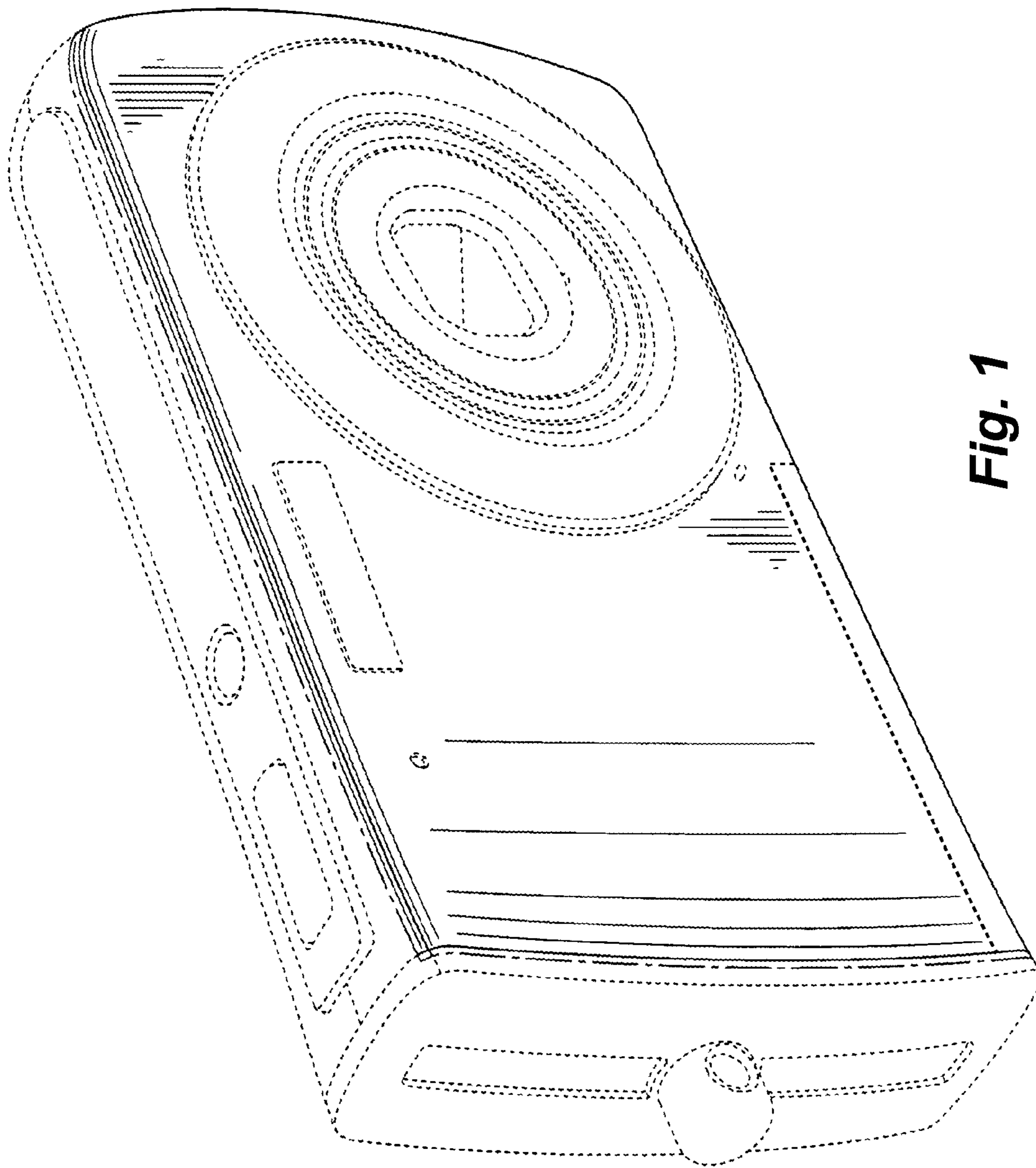


Fig. 1

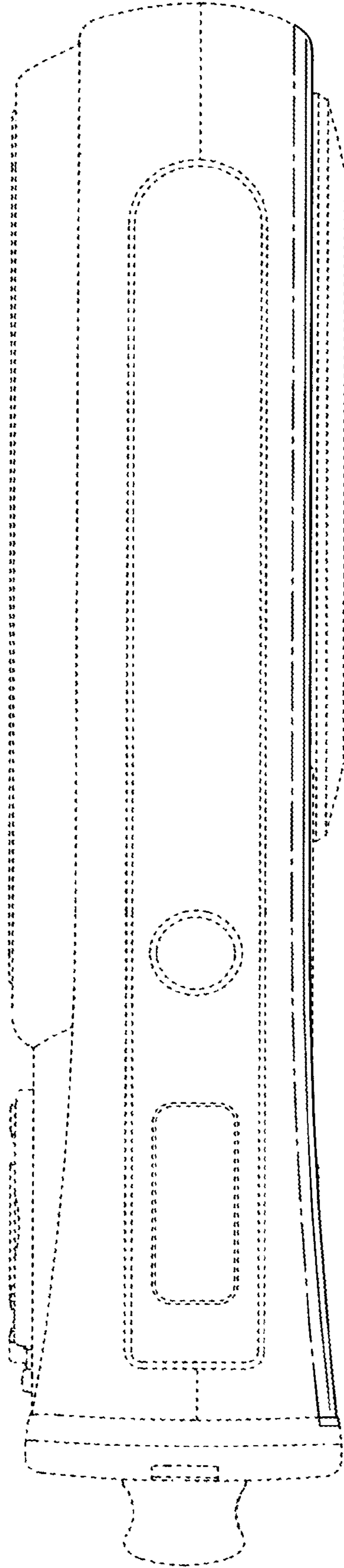


Fig. 2

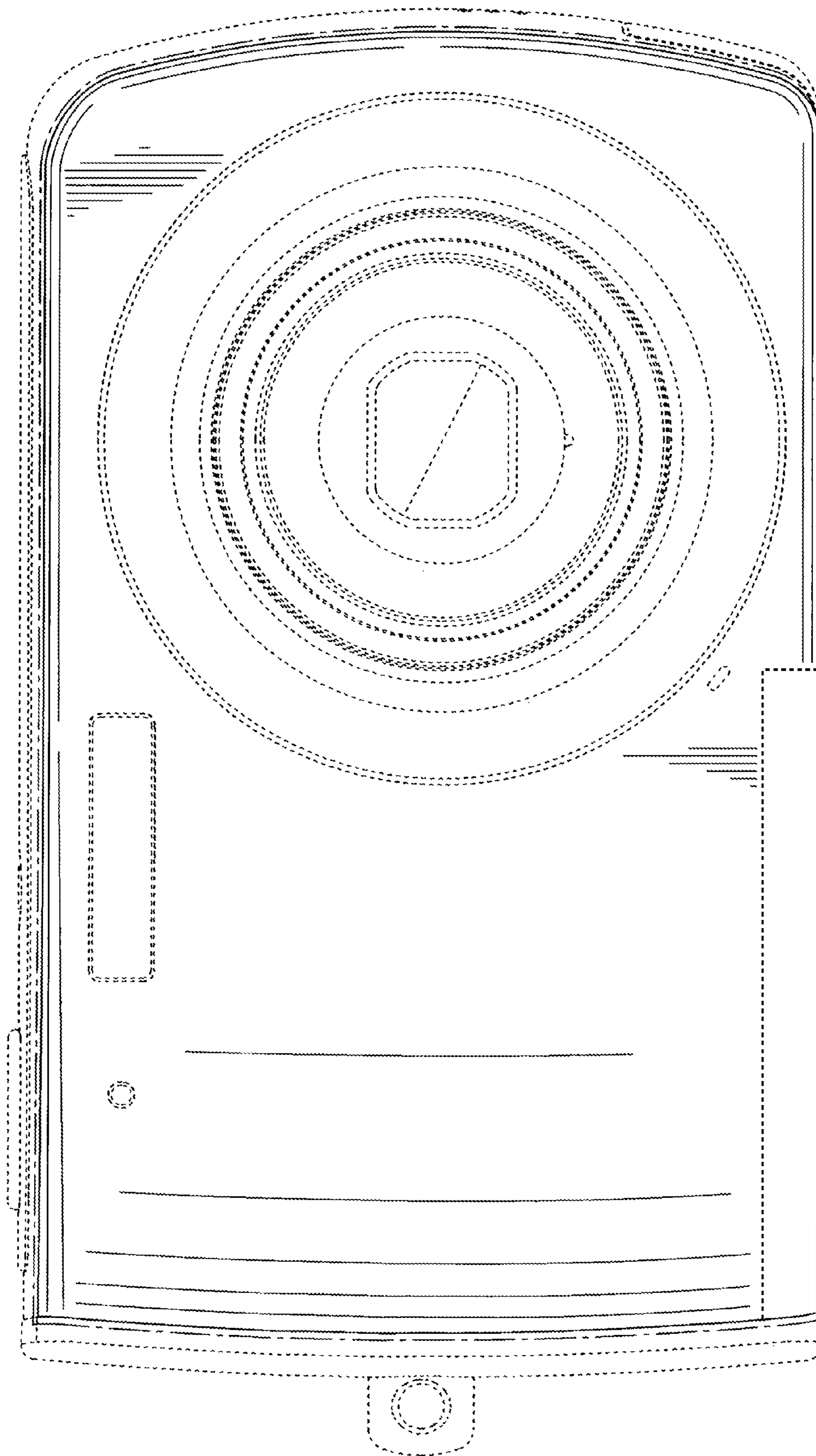


Fig. 3

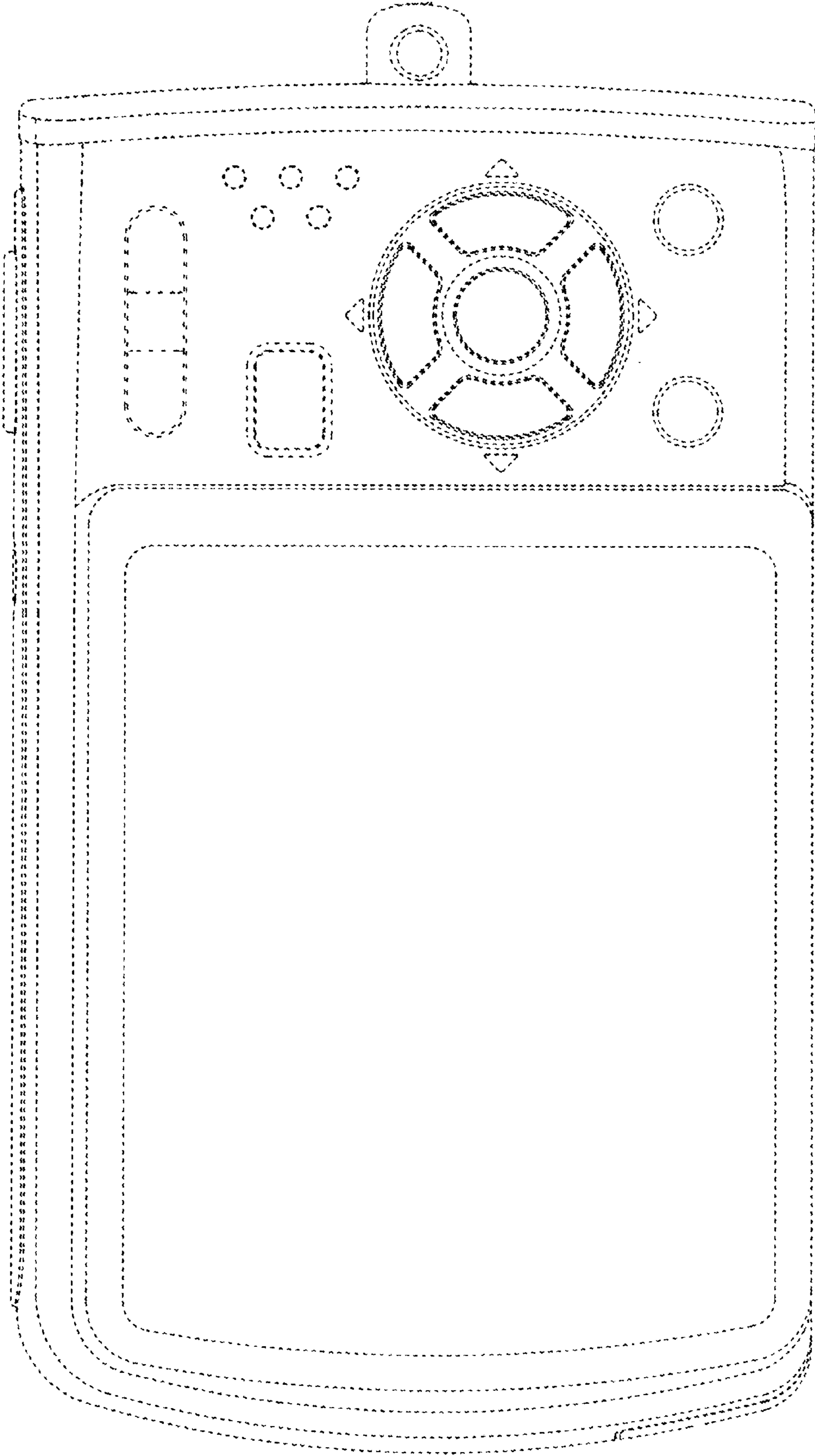


Fig. 4

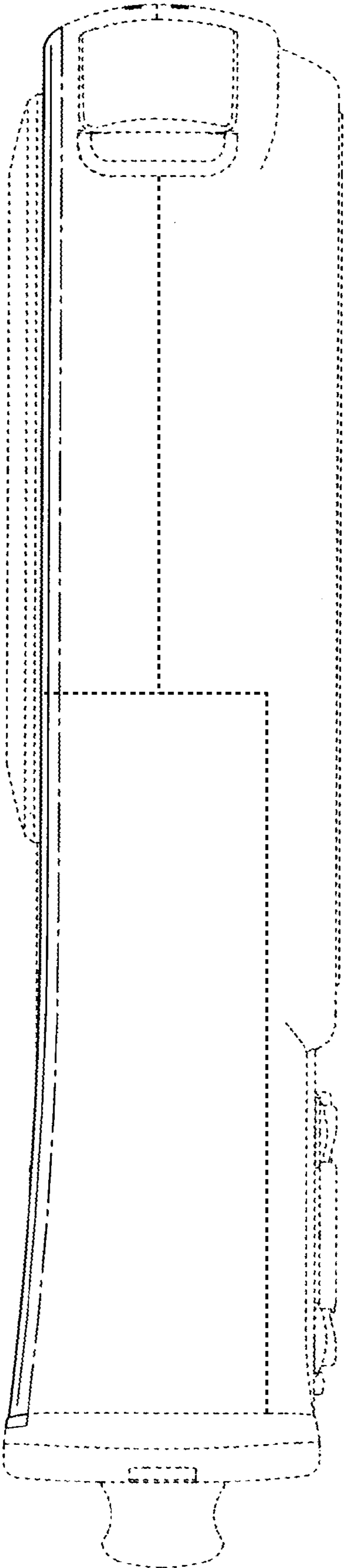


Fig. 5

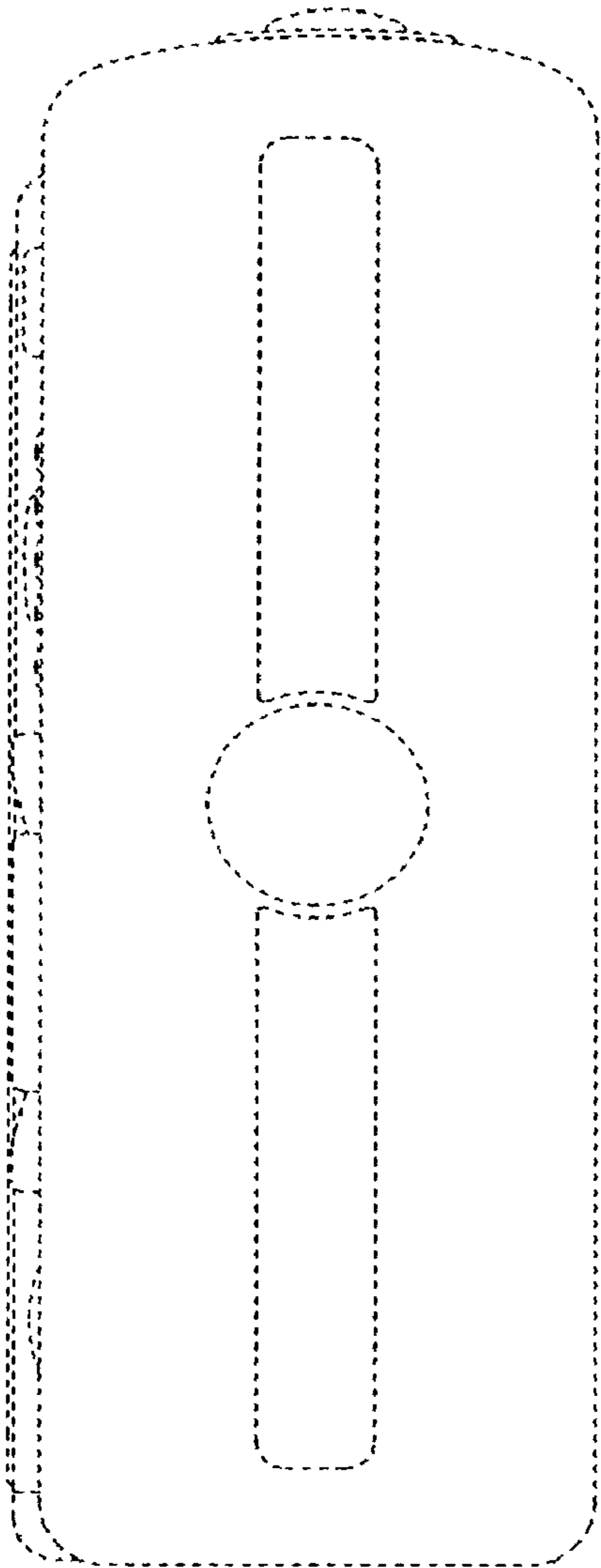


Fig. 6

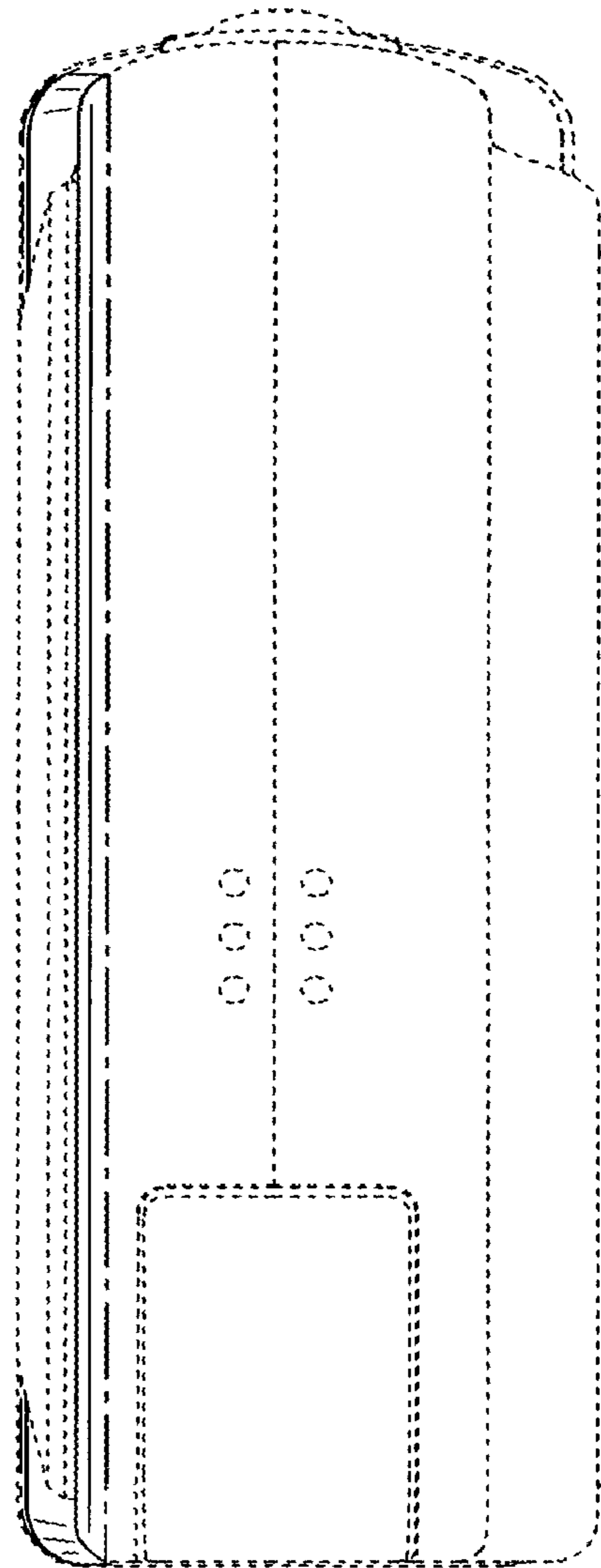


Fig. 7