



US00D582461S

(12) **United States Design Patent**
Hayashi

(10) **Patent No.:** **US D582,461 S**
(45) **Date of Patent:** **** Dec. 9, 2008**

(54) **DIGITAL CAMERA**

(75) Inventor: **Tatsuyuki Hayashi**, Saitama (JP)

(73) Assignee: **PENTAX Corporation**, Tokyo (JP)

(**) Term: **14 Years**

(21) Appl. No.: **29/274,400**

(22) Filed: **Apr. 23, 2007**

(30) **Foreign Application Priority Data**

Oct. 26, 2006 (JP) 2006-029194

(51) **LOC (8) Cl.** **16-05**

(52) **U.S. Cl.** **D16/219; D16/219**

(58) **Field of Classification Search** D16/200–205,
D16/218, 219; 348/373–376; 358/909; 396/535–541
See application file for complete search history.

(56) **References Cited**

U.S. PATENT DOCUMENTS

- D500,069 S * 12/2004 Hayashi D16/219
- D543,227 S * 5/2007 Hayashi D16/219
- D550,746 S * 9/2007 Inaba D16/219
- D557,313 S * 12/2007 Hayamizu D16/219

- D564,563 S * 3/2008 Kamiya et al. D16/219
- D568,360 S * 5/2008 Hayashi D16/202
- 2007/0212062 A1 * 9/2007 Saiki et al. 396/535

* cited by examiner

Primary Examiner—Adir Aronovich

(74) *Attorney, Agent, or Firm*—Sughrue Mion, PLLC

(57) **CLAIM**

The ornamental design for a digital camera, as shown and described.

DESCRIPTION

FIG. 1 is a perspective view of the top, front and left side of a digital camera showing my new design;

FIG. 2 is a top plan view thereof;

FIG. 3 is a front elevational view thereof;

FIG. 4 is a rear elevational view thereof;

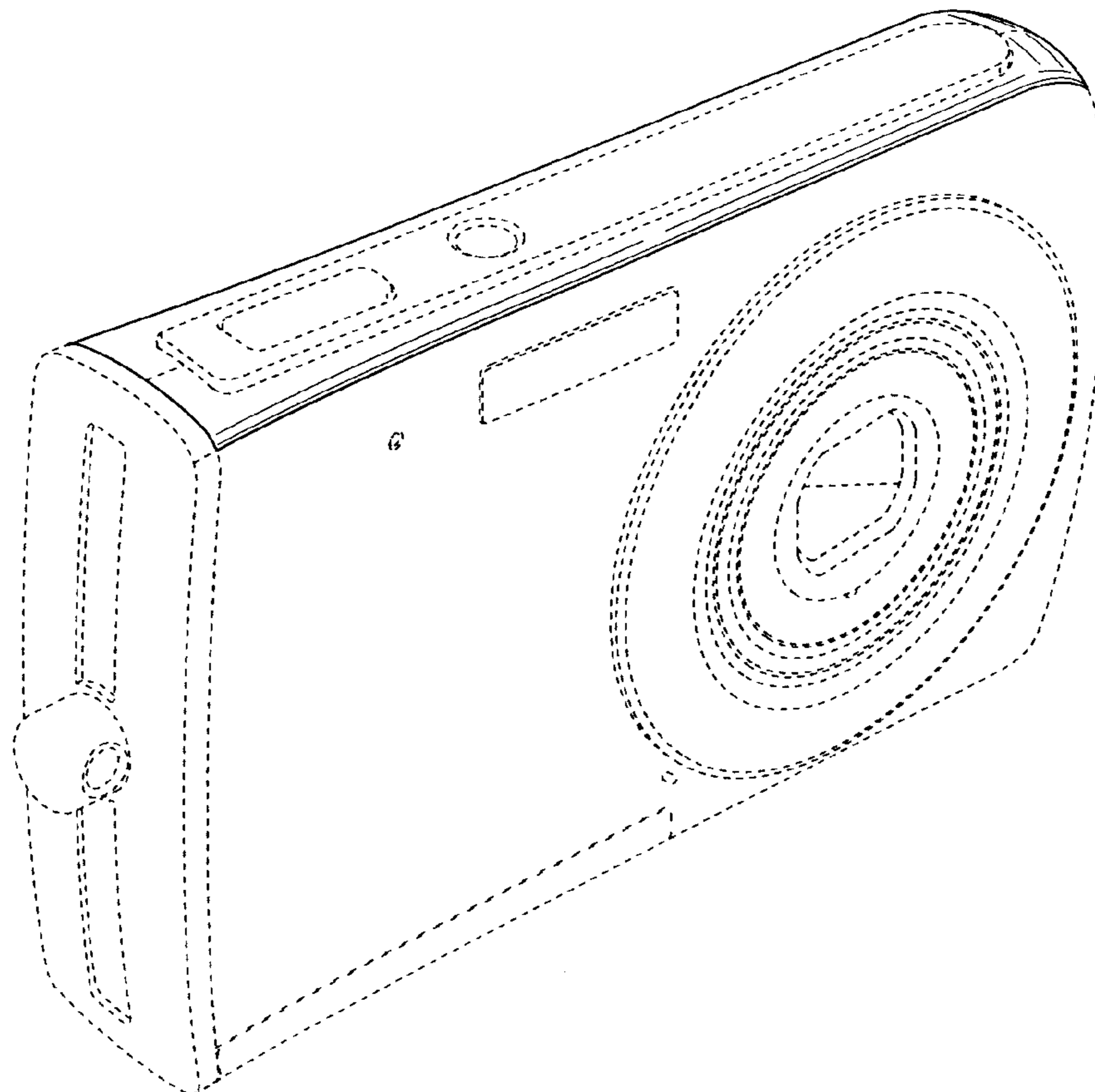
FIG. 5 is a bottom plan view thereof;

FIG. 6 is a left side elevational view thereof; and,

FIG. 7 is a right side elevational view thereof.

The portions shown in broken lines are for illustrative purposes only and form no part of the claimed design.

1 Claim, 4 Drawing Sheets



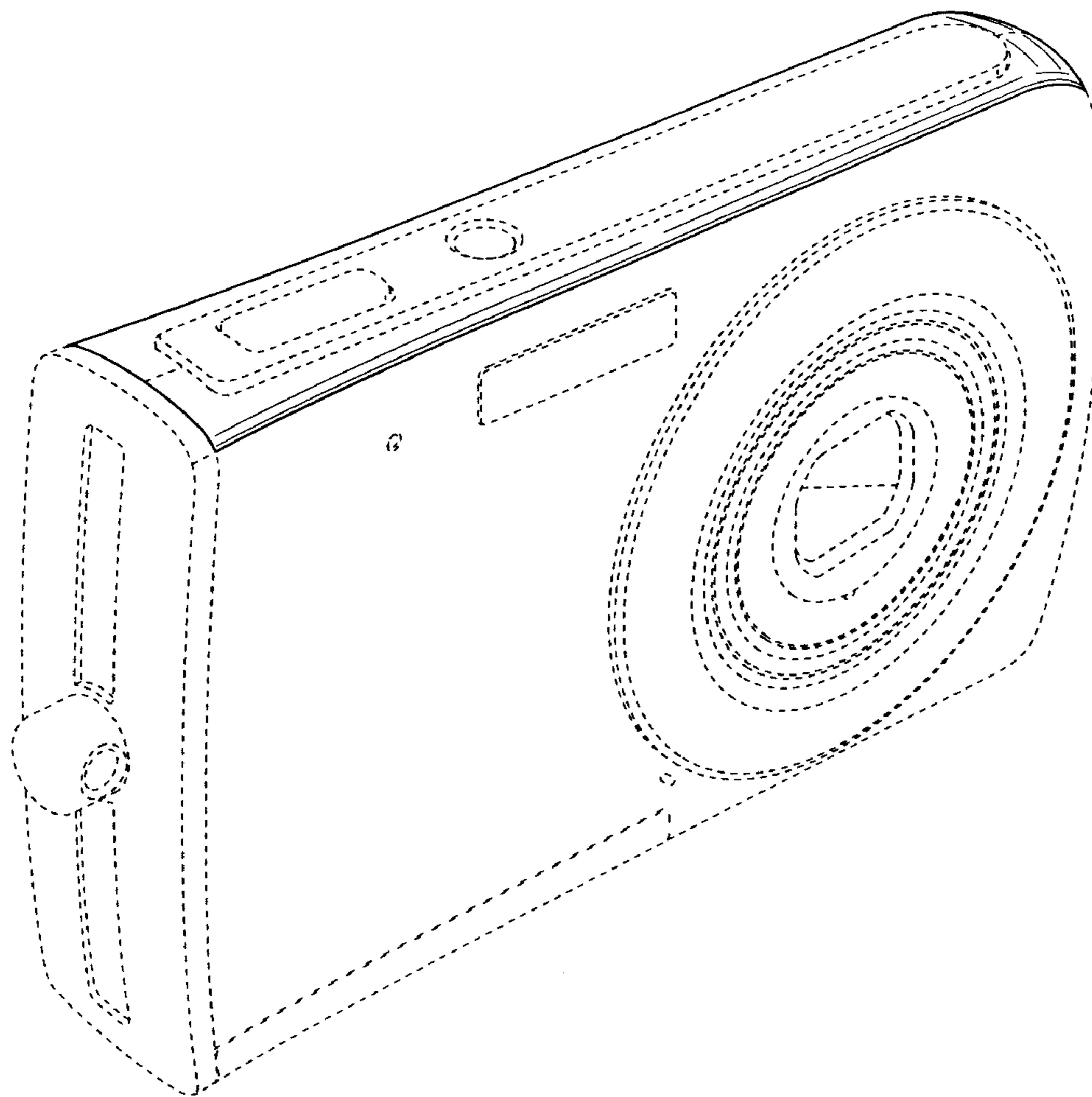


FIG. 1

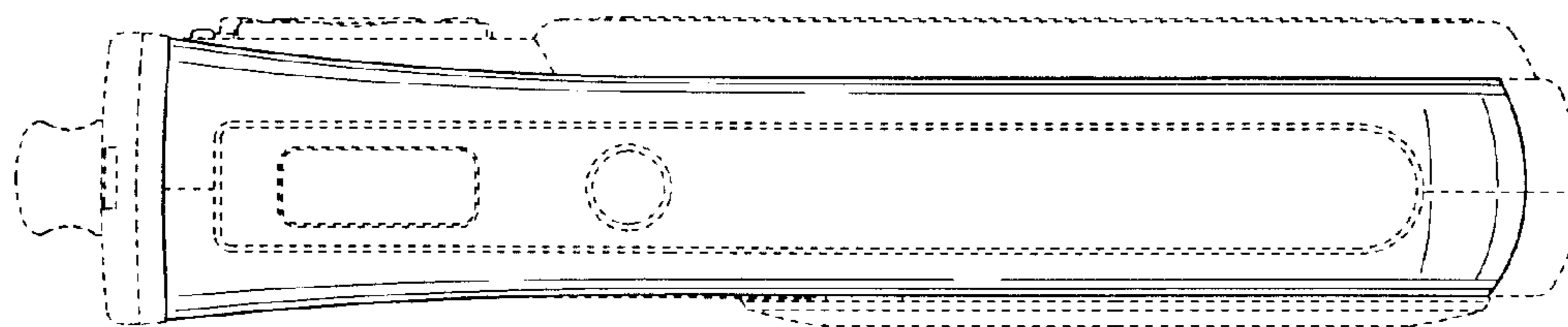


FIG. 2

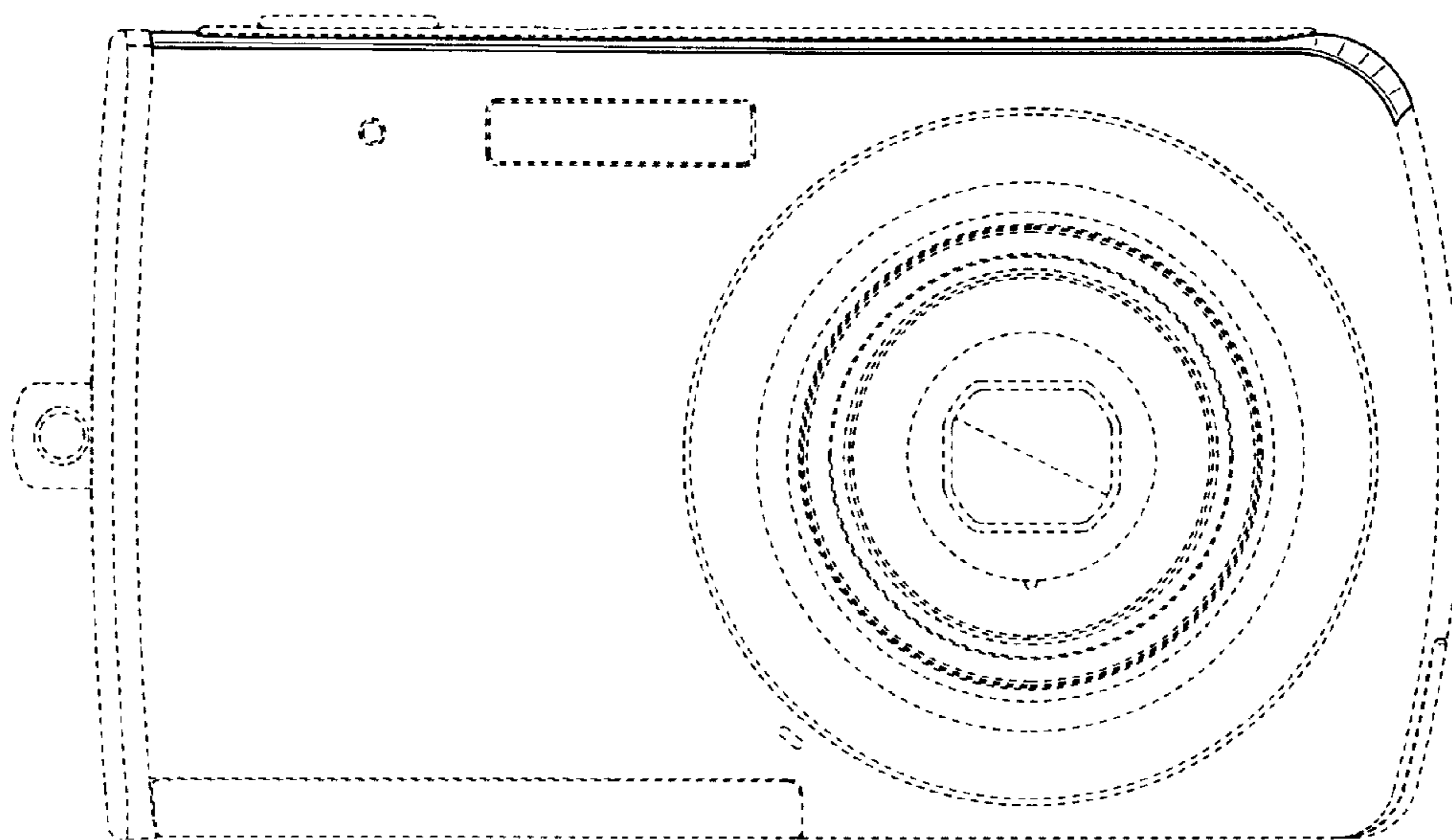


FIG. 3

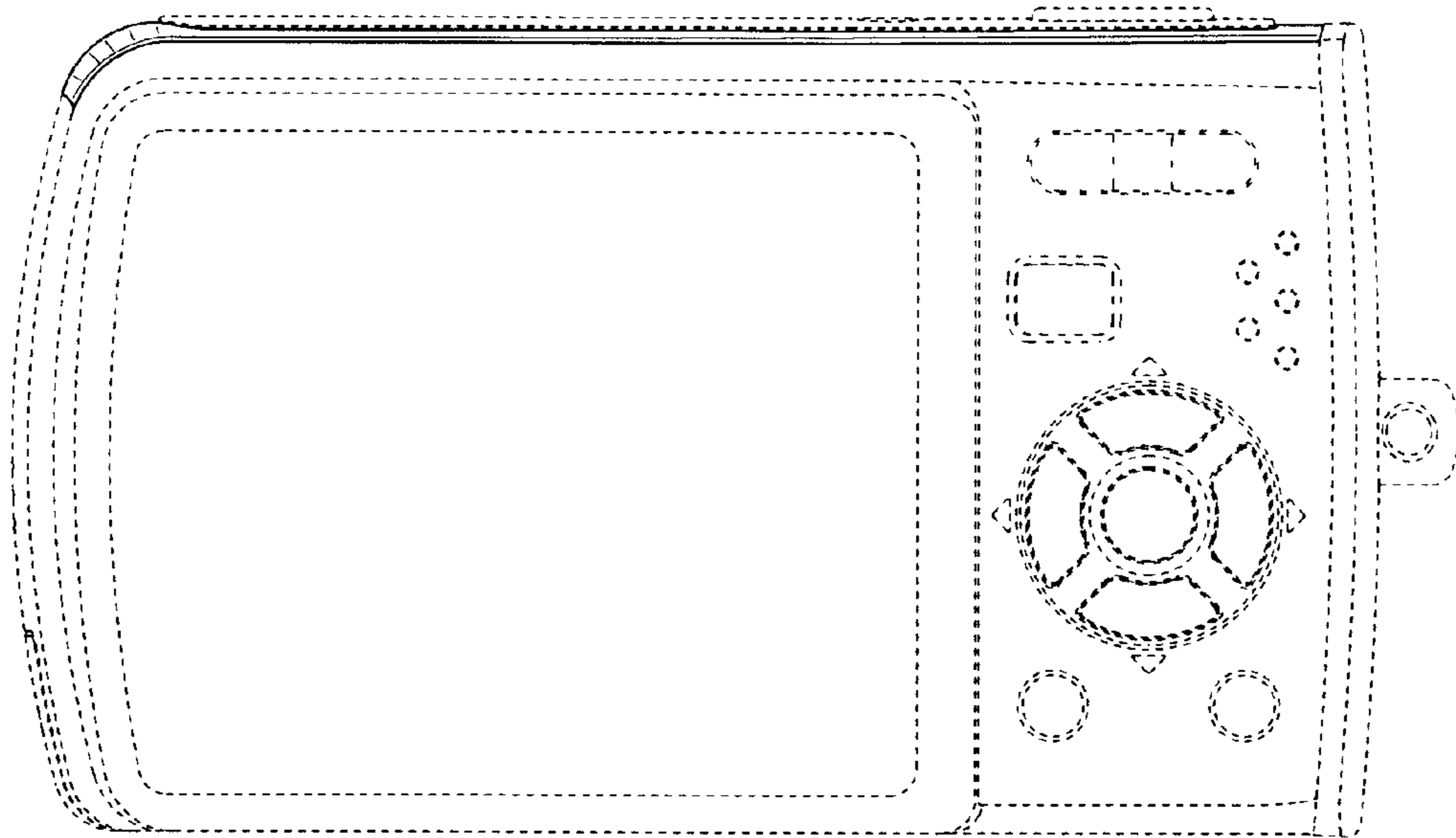


FIG. 4

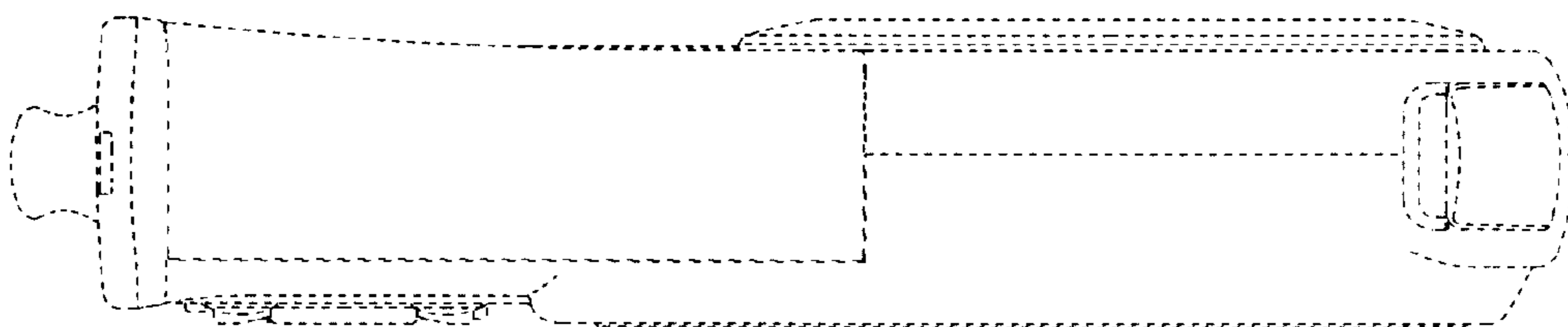


FIG. 5

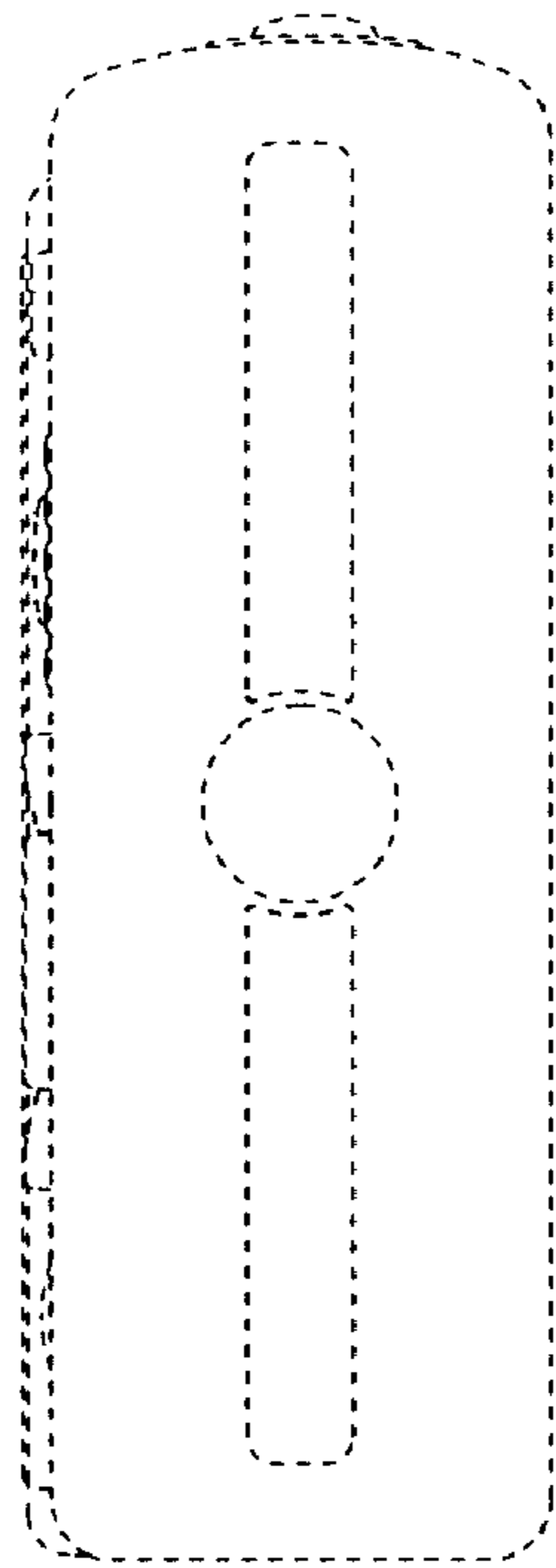


FIG. 6

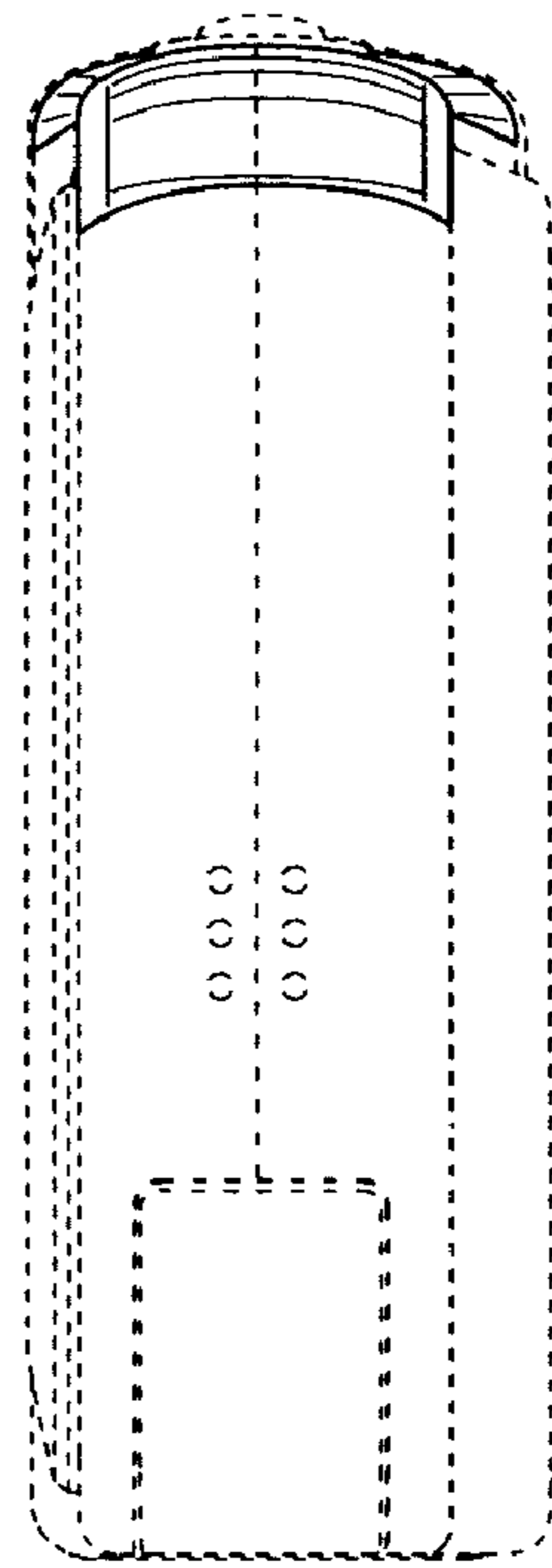


FIG. 7