



US00D582460S

(12) **United States Design Patent**
Yoo et al.

(10) **Patent No.:** **US D582,460 S**
(45) **Date of Patent:** **** Dec. 9, 2008**

(54) **MONITORING CAMERA**

(75) Inventors: **Seung-seup Yoo**, Seoul (KR); **Jae-in Kim**, Seoul (KR); **Sung-hwa Chang**, Seoul (KR)

(73) Assignee: **Samsung Techwin Co., Ltd.**, Changwon (KR)

(**) Term: **14 Years**

(21) Appl. No.: **29/286,134**

(22) Filed: **Apr. 25, 2007**

(30) **Foreign Application Priority Data**

Feb. 13, 2007 (KR) 30-2007-0006682

(51) **LOC (8) Cl.** **16-01**

(52) **U.S. Cl.** **D16/203**

(58) **Field of Classification Search** D16/200–205,
D16/208, 218, 219, 237; 348/143, 151, 373–376;
358/906; 396/535–541

See application file for complete search history.

(56) **References Cited**

U.S. PATENT DOCUMENTS

D395,328 S * 6/1998 Palmer D16/219
D421,032 S * 2/2000 Oka D16/237
D489,744 S * 5/2004 Muto D16/203

D522,035 S * 5/2006 Muto D16/203
D529,529 S * 10/2006 Wen et al. D16/203
7,221,402 B2 * 5/2007 Cheng 348/375
D551,275 S * 9/2007 Kim D16/203

* cited by examiner

Primary Examiner—Adir Aronovich

(74) *Attorney, Agent, or Firm*—Drinker Biddle & Reath LLP

(57) **CLAIM**

We claim the ornamental design for a monitoring camera, as shown and described.

DESCRIPTION

FIG. 1 is a perspective view of a monitoring camera;
FIG. 2 is a front elevational view of the monitoring camera;
FIG. 3 is a rear elevational view of the monitoring camera;
FIG. 4 is a left side elevational view of the monitoring camera;
FIG. 5 is a right side elevational view of the monitoring camera;
FIG. 6 is a top plan view of the monitoring camera; and,
FIG. 7 is a bottom plan view of the monitoring camera.

The portions of the camera in broken lines are shown to illustrate environment only and form no part of the claimed design.

1 Claim, 4 Drawing Sheets

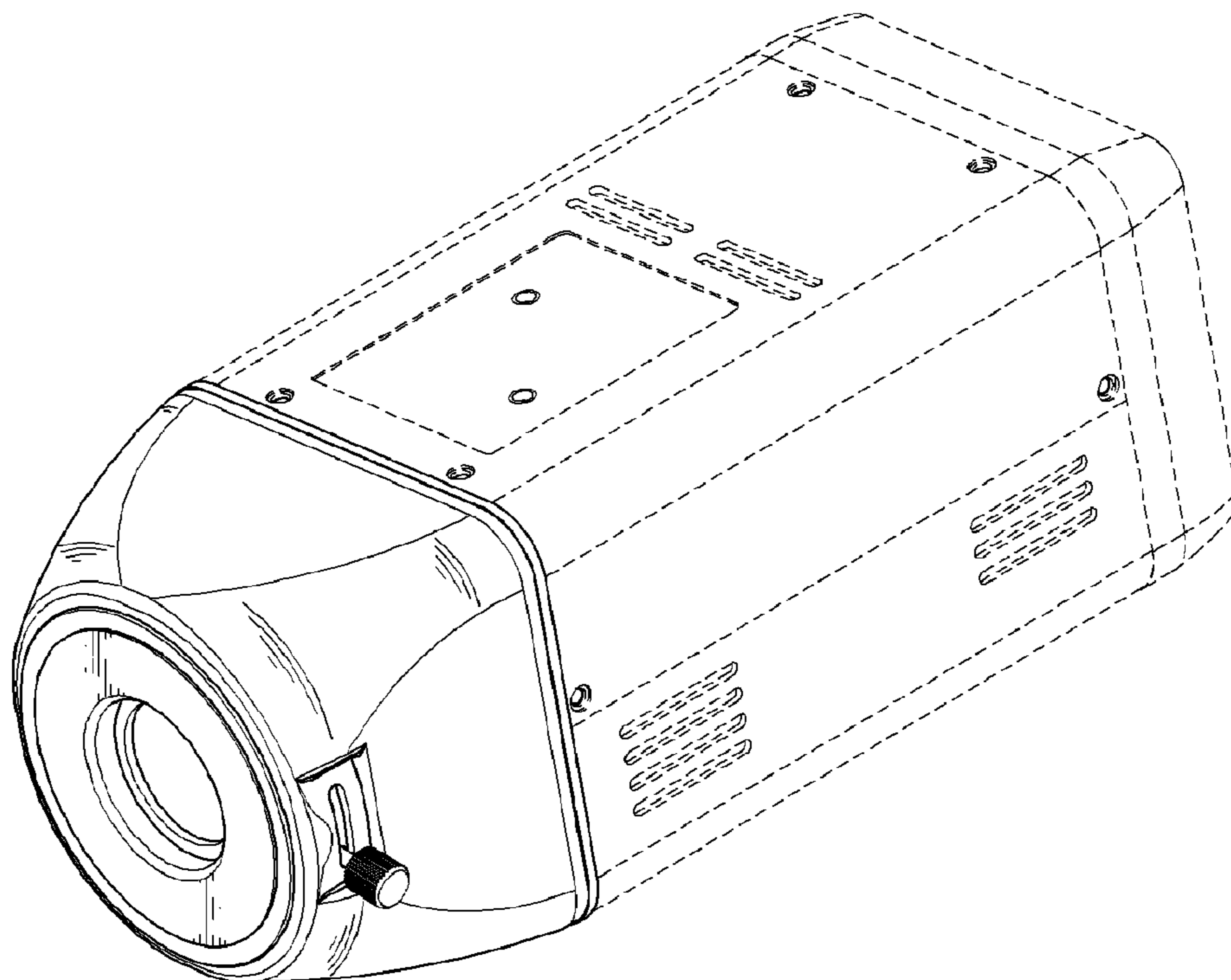


FIG. 1

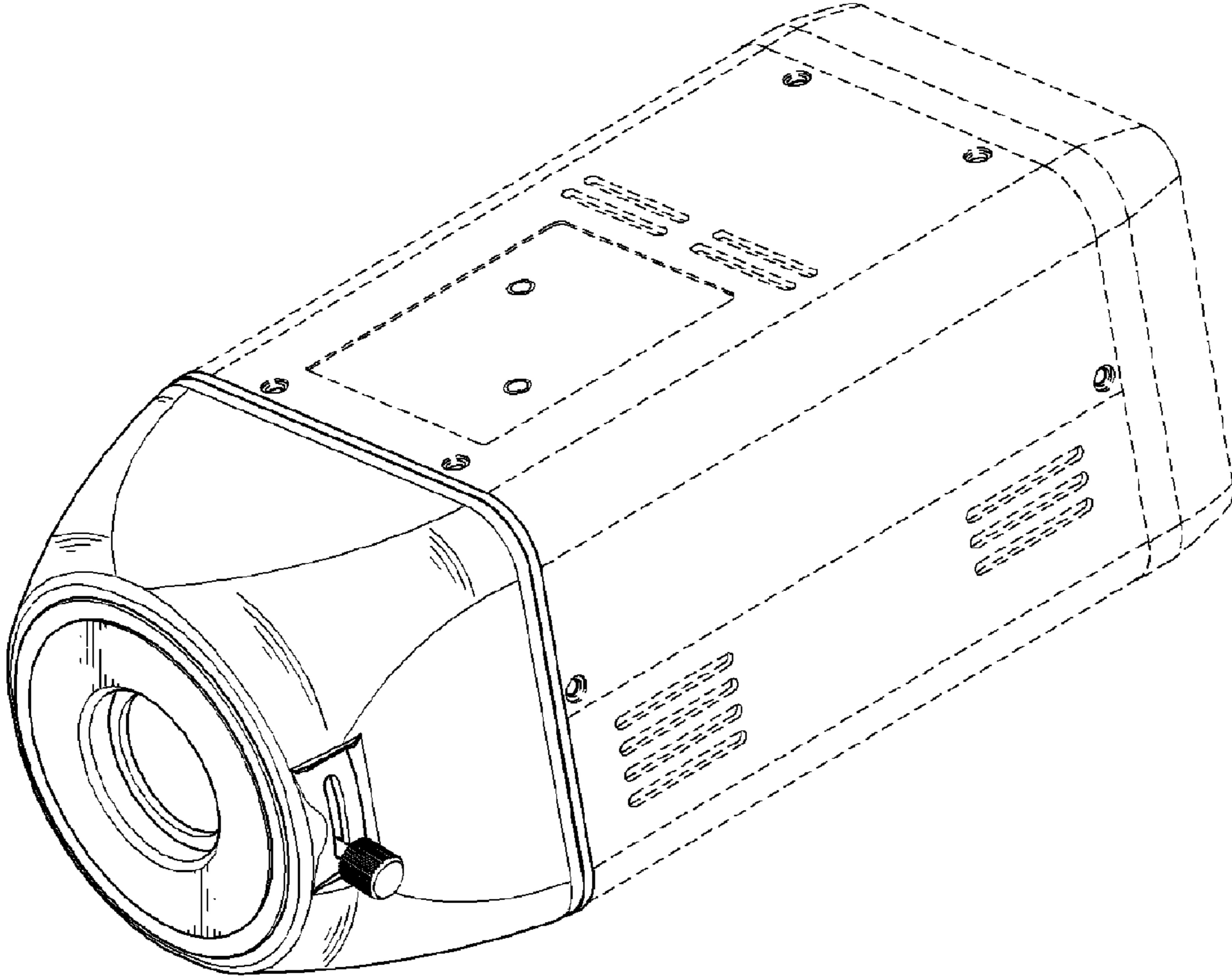


FIG. 2

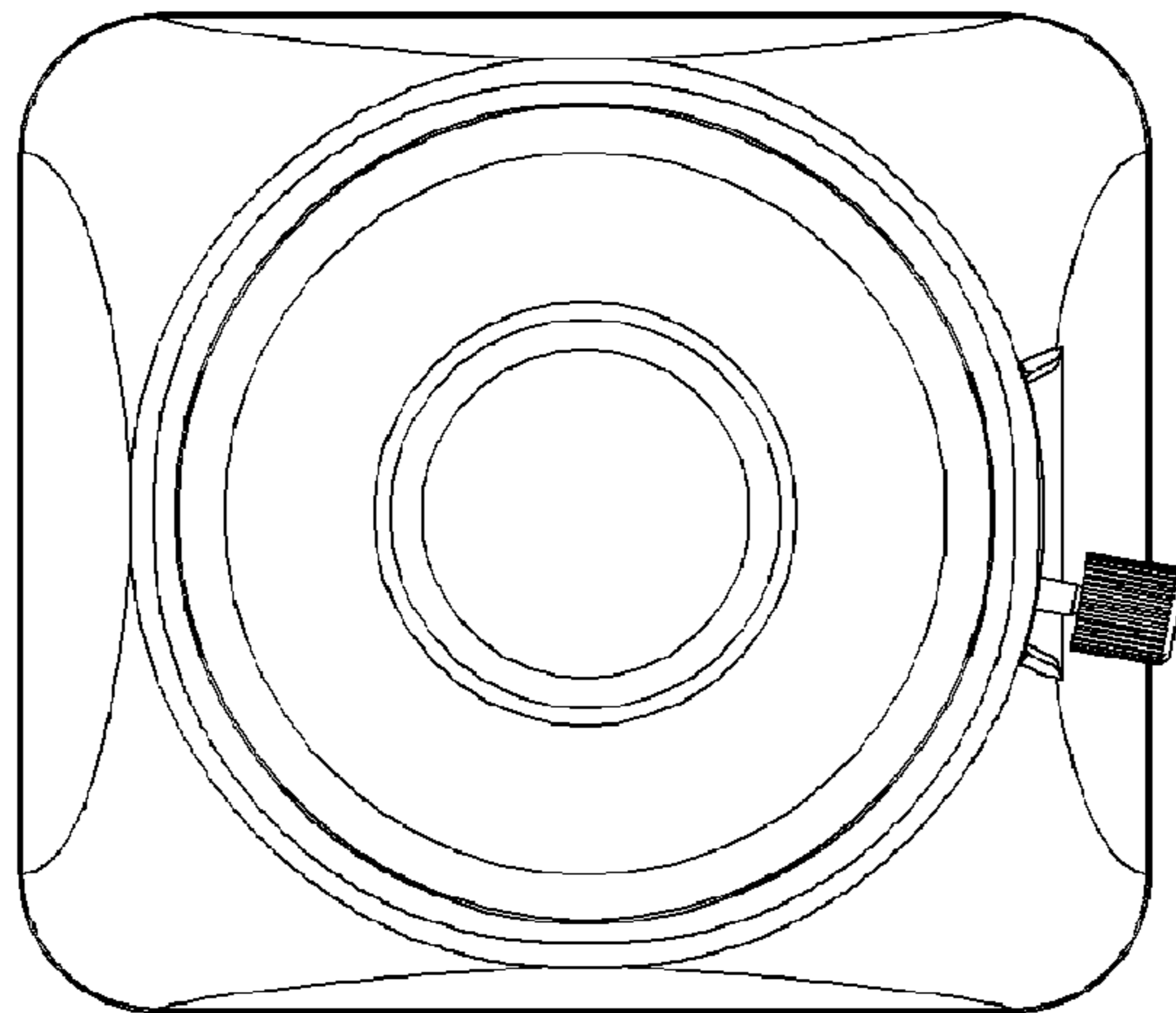


FIG. 3

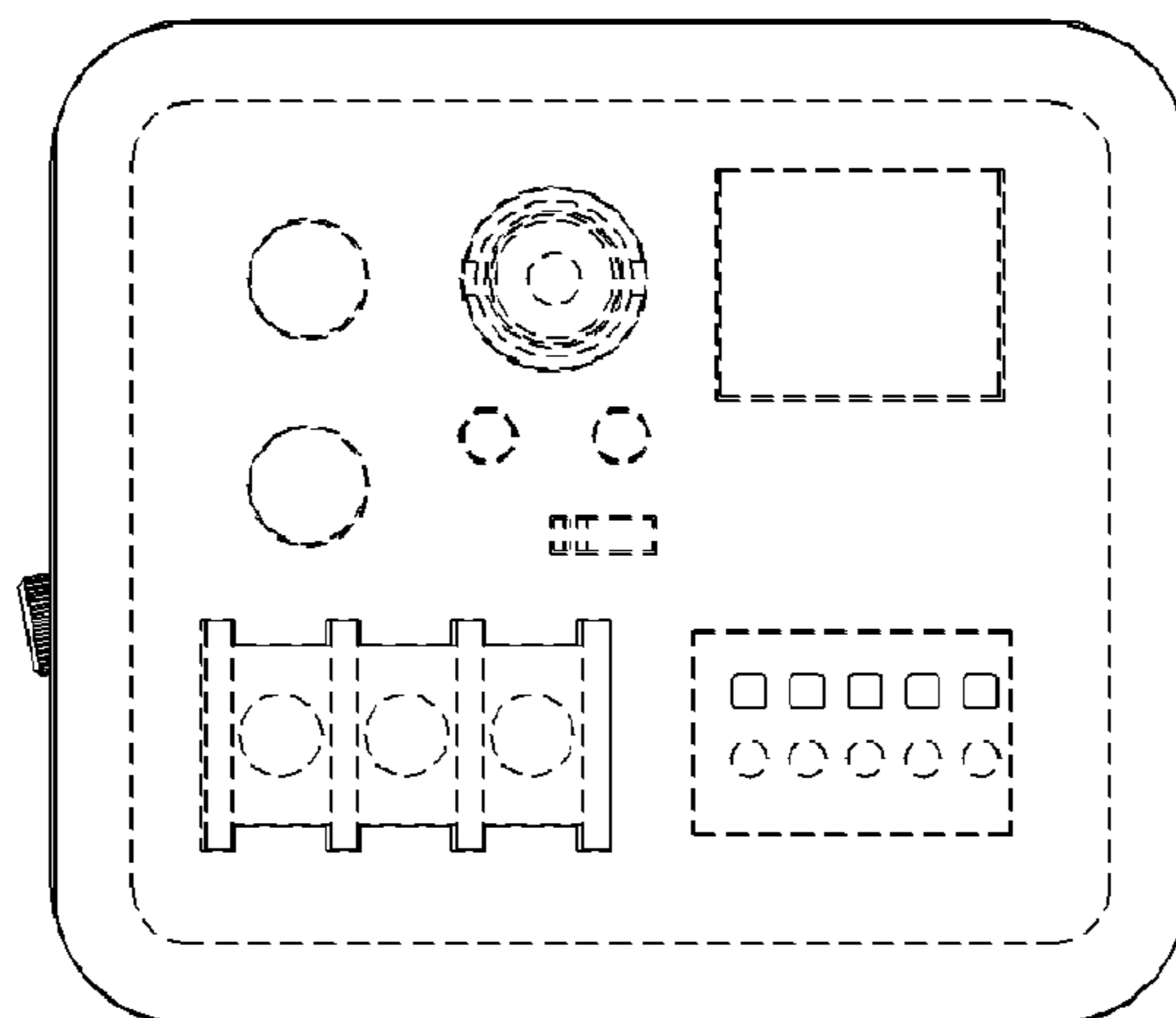


FIG. 4

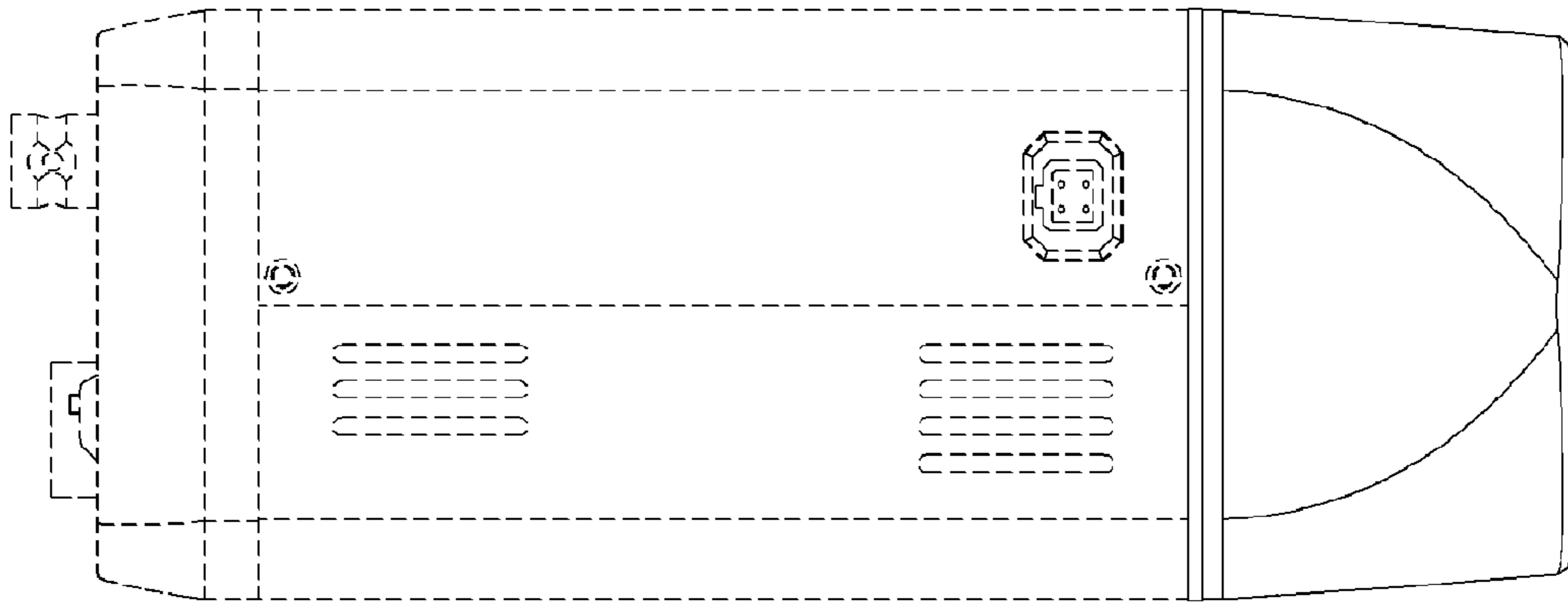


FIG. 5

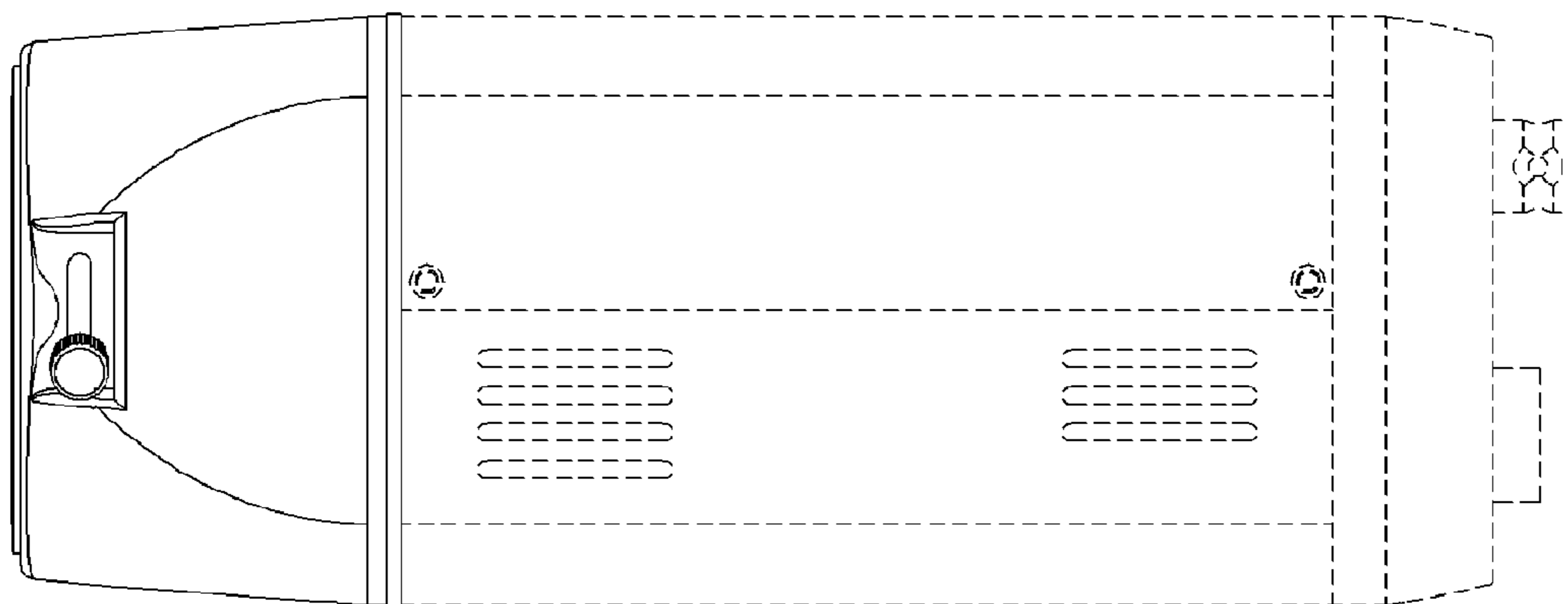


FIG. 6

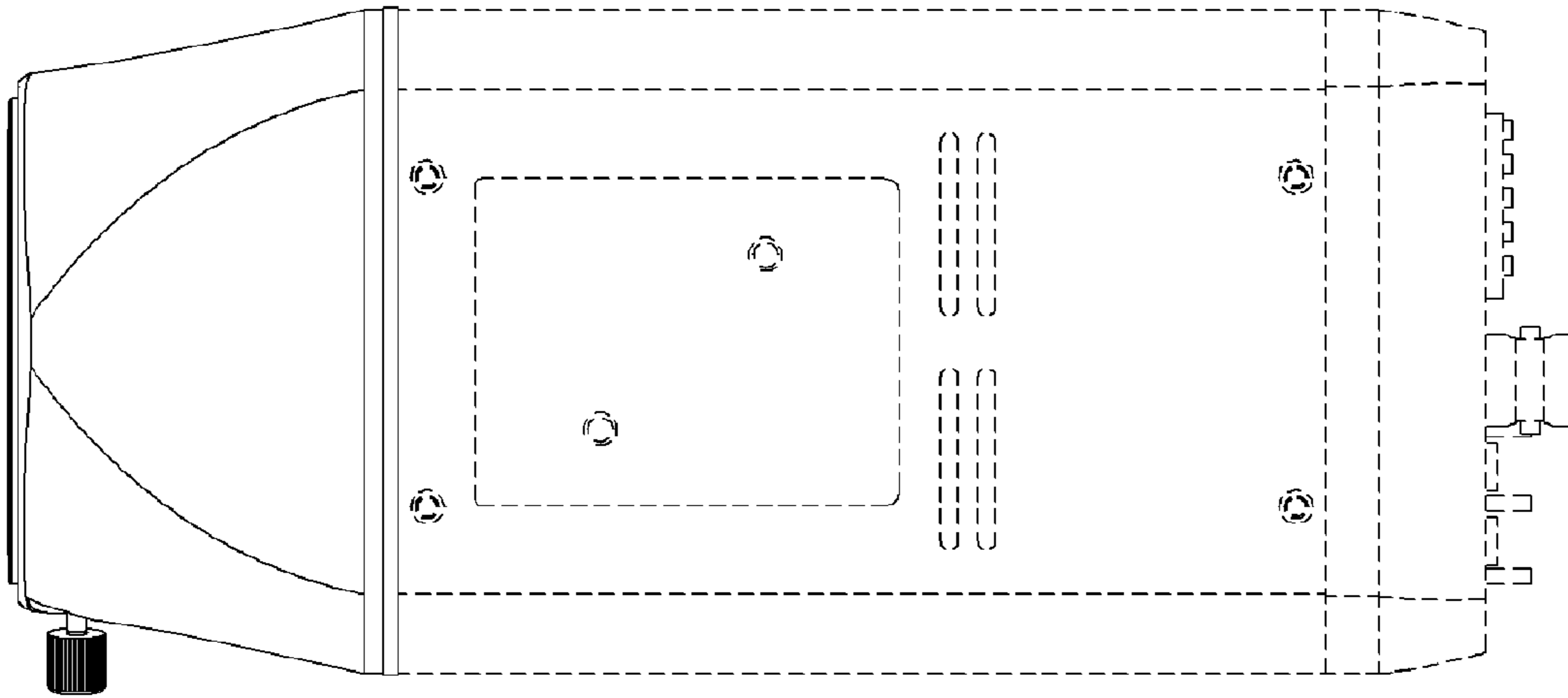


FIG. 7

