



US00D582458S

(12) **United States Design Patent**
Tognetti et al.

(10) **Patent No.:** **US D582,458 S**

(45) **Date of Patent:** **** Dec. 9, 2008**

(54) **CHEMICAL MIXING MACHINE**

2007/0028969 A1* 2/2007 Bovd et al. 137/606
2007/0246549 A1* 10/2007 Kline 236/12.2

(75) Inventors: **David L. Tognetti**, Howell, MI (US);
Mark D. Morin, Plymouth, MI (US)

OTHER PUBLICATIONS

(73) Assignee: **Belanger, Inc.**, Northville, MI (US)

Photograph A is a photograph of prior art chemical dispensing systems used in commercial car washes.

(**) Term: **14 Years**

Photograph B is a photograph of prior art chemical dispensing systems used in commercial car washes.

(21) Appl. No.: **29/278,072**

* cited by examiner

(22) Filed: **Mar. 19, 2007**

Primary Examiner—Sandra Snapp

Assistant Examiner—Patricia Palasik

(51) **LOC (8) Cl.** **15-99**

(74) *Attorney, Agent, or Firm*—Young Basile

(52) **U.S. Cl.** **D15/199**

(58) **Field of Classification Search** D7/306;
D15/147, 199; D23/214, 314; D24/220;
D34/39; 220/4.12, 565; 250/436, 438; 366/110,
366/112, 311, 332, 336–339

(57) **CLAIM**

See application file for complete search history.

The ornamental design for a chemical mixing machine, as shown and described.

DESCRIPTION

(56) **References Cited**

FIG. 1 is a front perspective view of a chemical mixing station according to the invention;

U.S. PATENT DOCUMENTS

FIG. 2 is a rear perspective view of a chemical mixing station according to the invention;

3,610,586 A * 10/1971 Price et al. 366/230

FIG. 3 is a front elevation;

RE30,610 E * 5/1981 Gacki et al. 366/153.1

FIG. 4 is a side elevation;

D320,851 S * 10/1991 Storzbach D24/220

FIG. 5 is a top elevation;

5,077,017 A * 12/1991 Gorin et al. 422/100

FIG. 6 is a bottom elevation; and,

D333,863 S * 3/1993 Kimmons D23/214

FIG. 7 is a rear elevation.

D393,522 S * 4/1998 Pettis et al. D34/39

The broken line showing of the chemical mixing station is included for the purpose of illustrating portions of the chemical mixing station and forms no part of the claimed design.

5,842,783 A * 12/1998 Boasso et al. 366/101

7,166,850 B2 * 1/2007 Brunet et al. 250/436

D544,287 S * 6/2007 Joss et al. D7/306

2002/0118594 A1 * 8/2002 Vellinger et al. 366/116

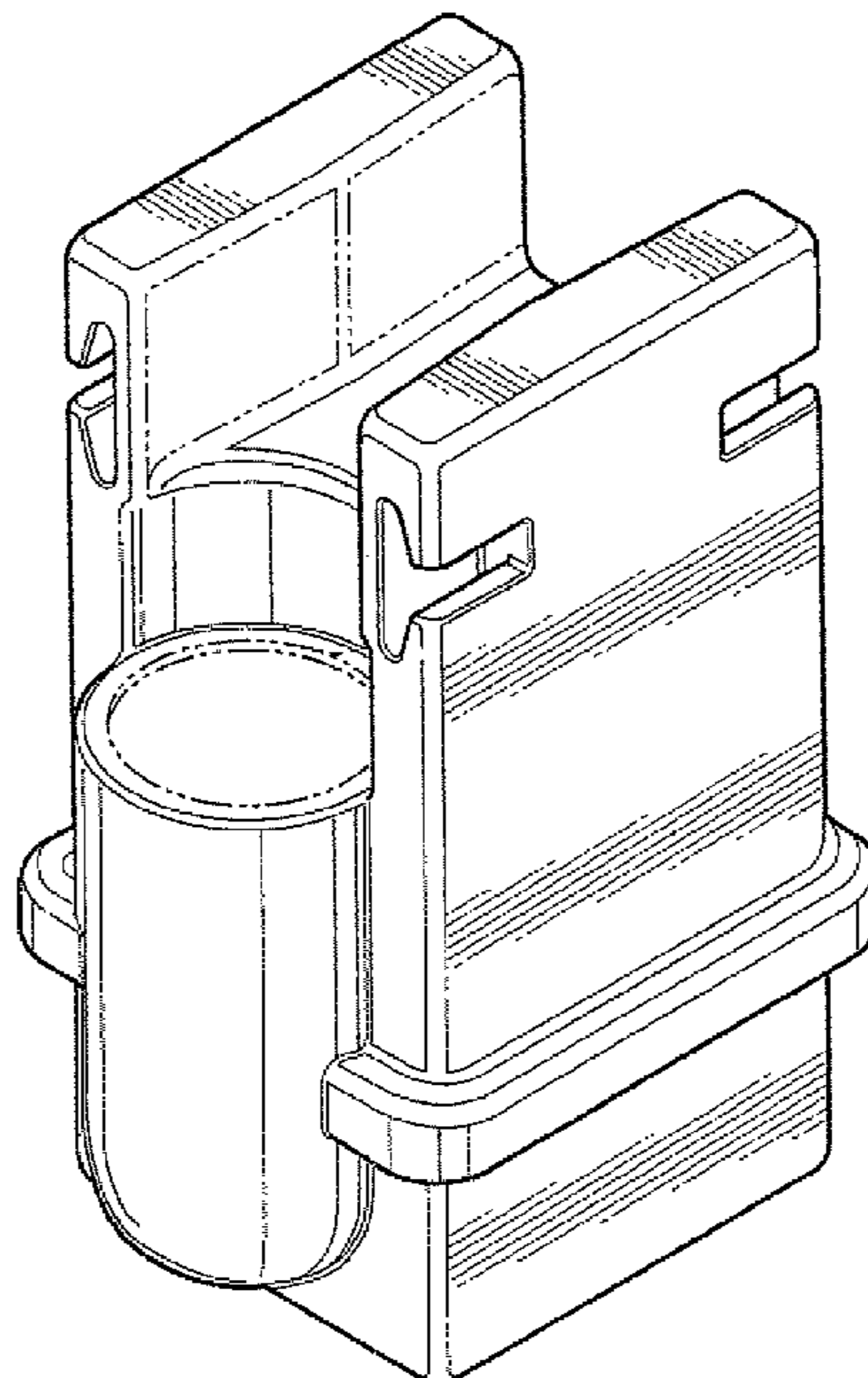
2003/0198129 A1 * 10/2003 Haughton et al. 366/332

2004/0008568 A1 * 1/2004 Sergio 366/110

2004/0121484 A1 * 6/2004 Betancourt et al. 436/174

2006/0280028 A1 * 12/2006 West et al. 366/331

1 Claim, 3 Drawing Sheets



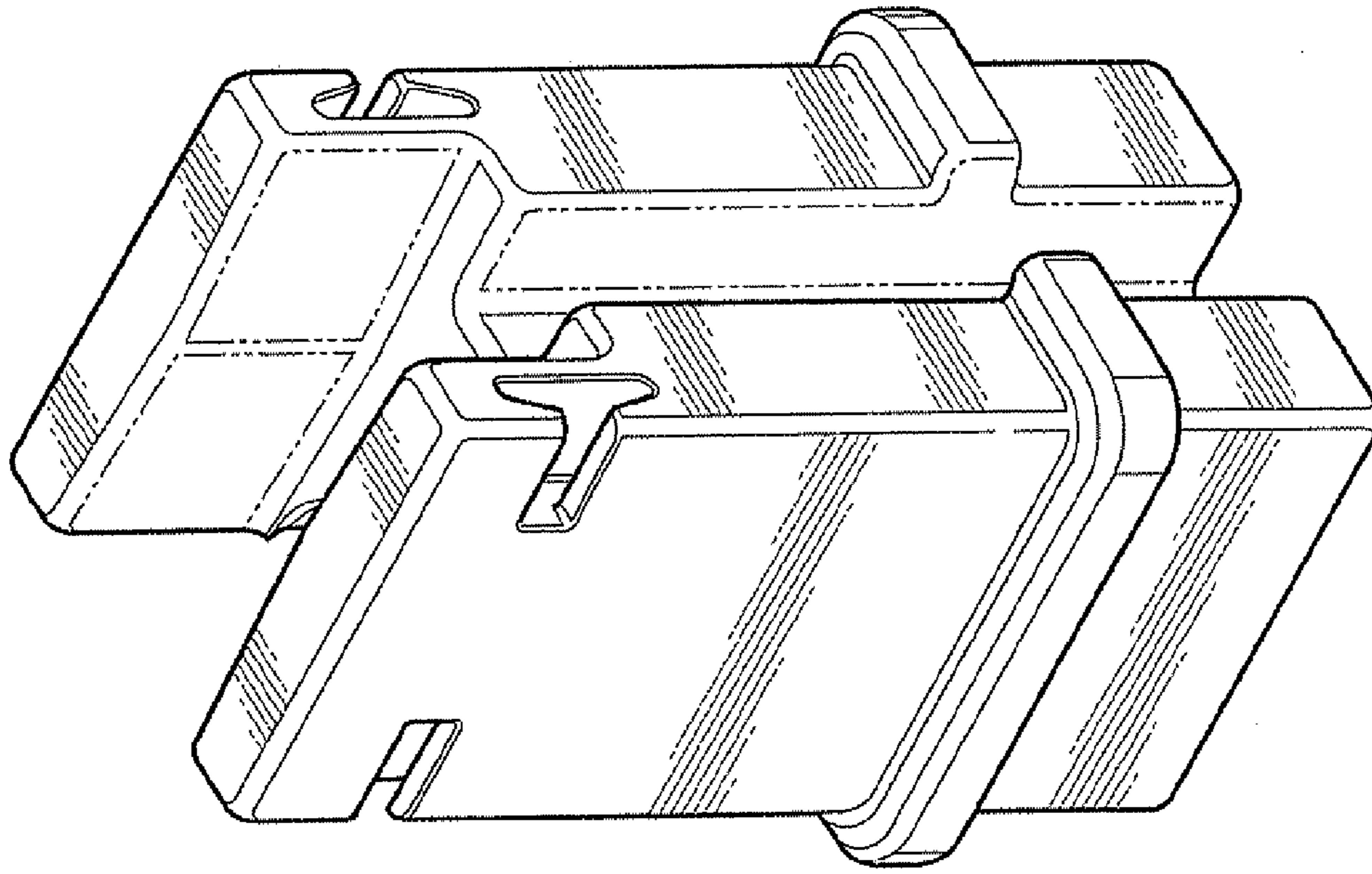


FIG - 2

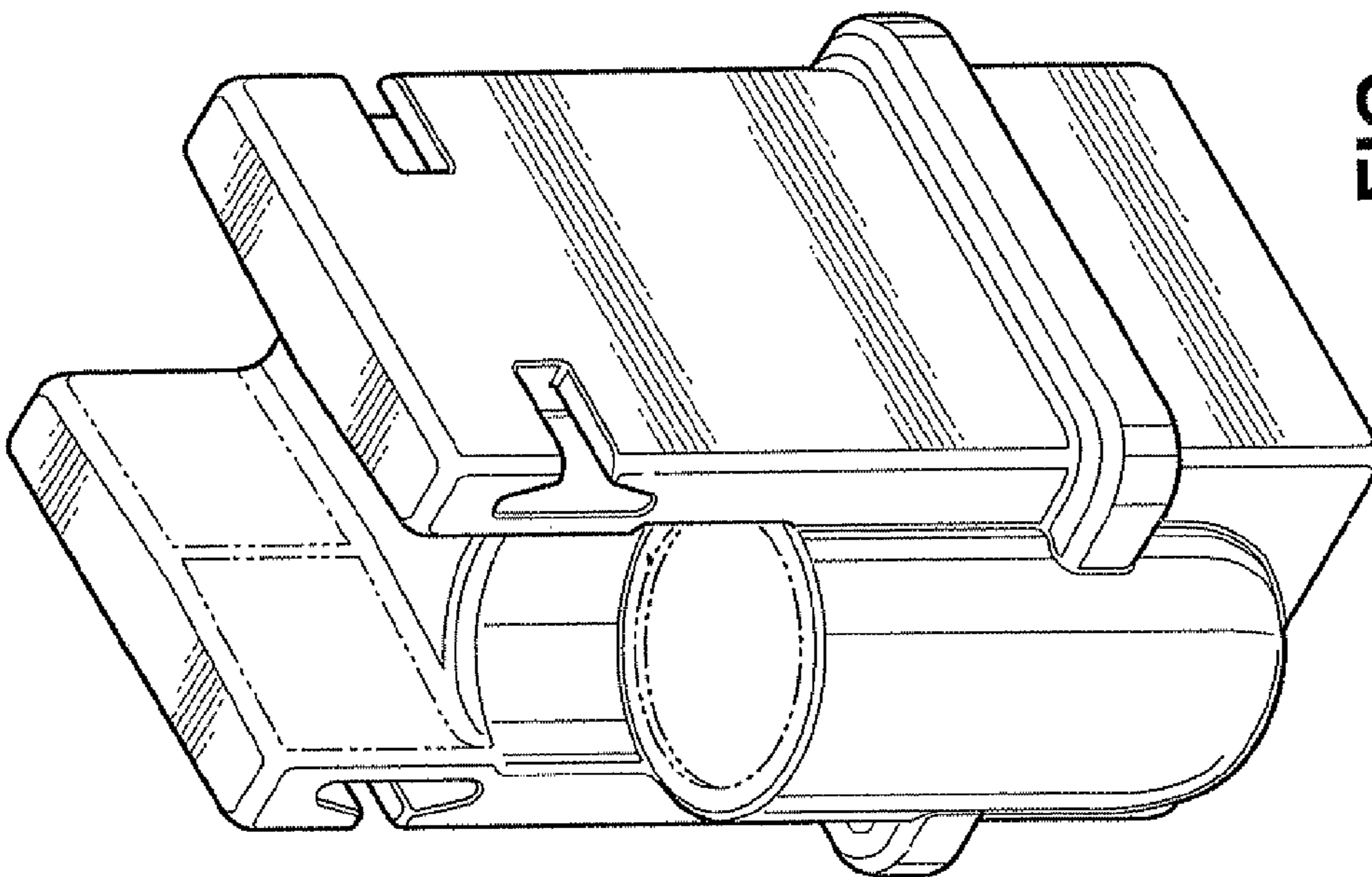


FIG - 1

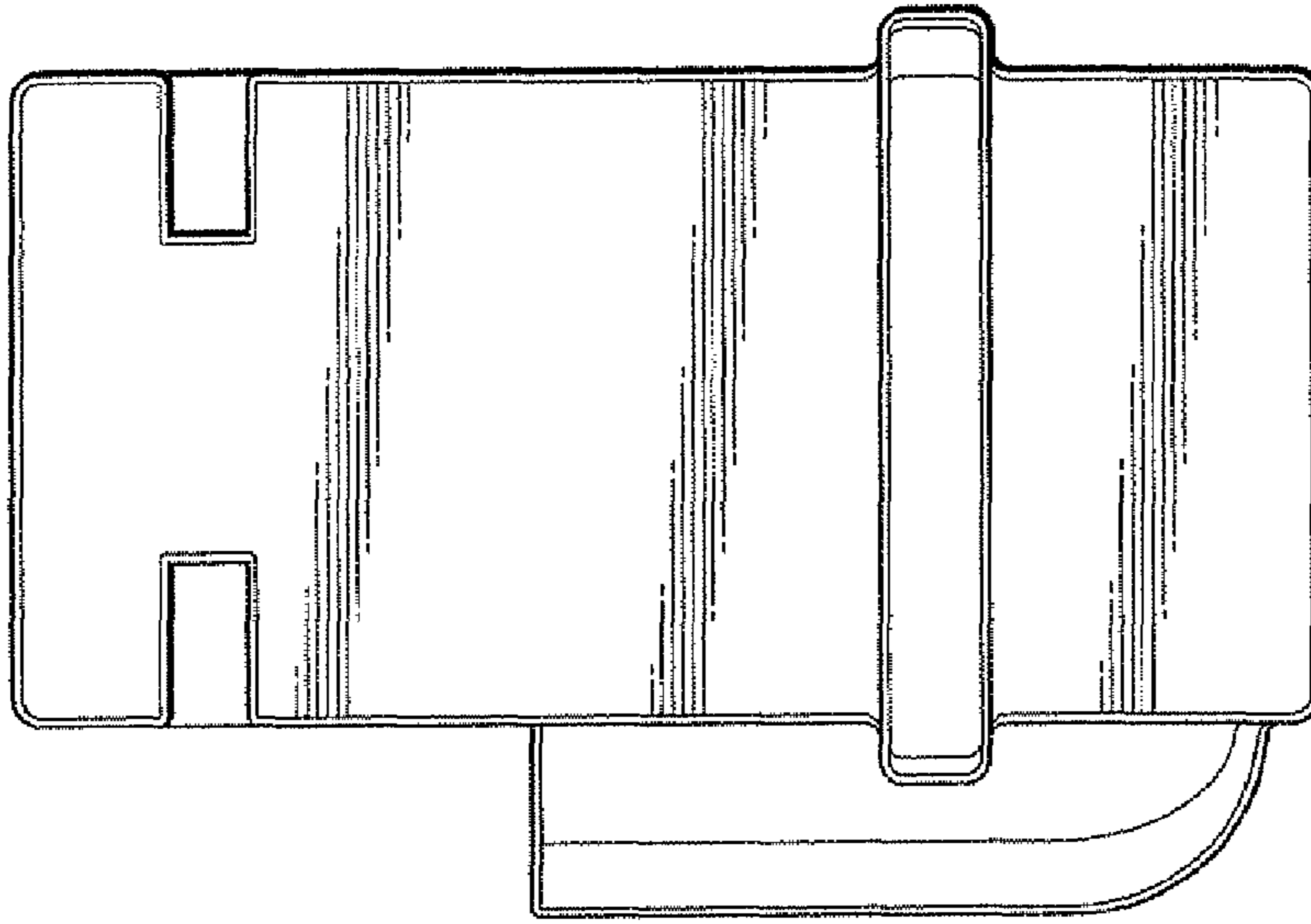


FIG - 4

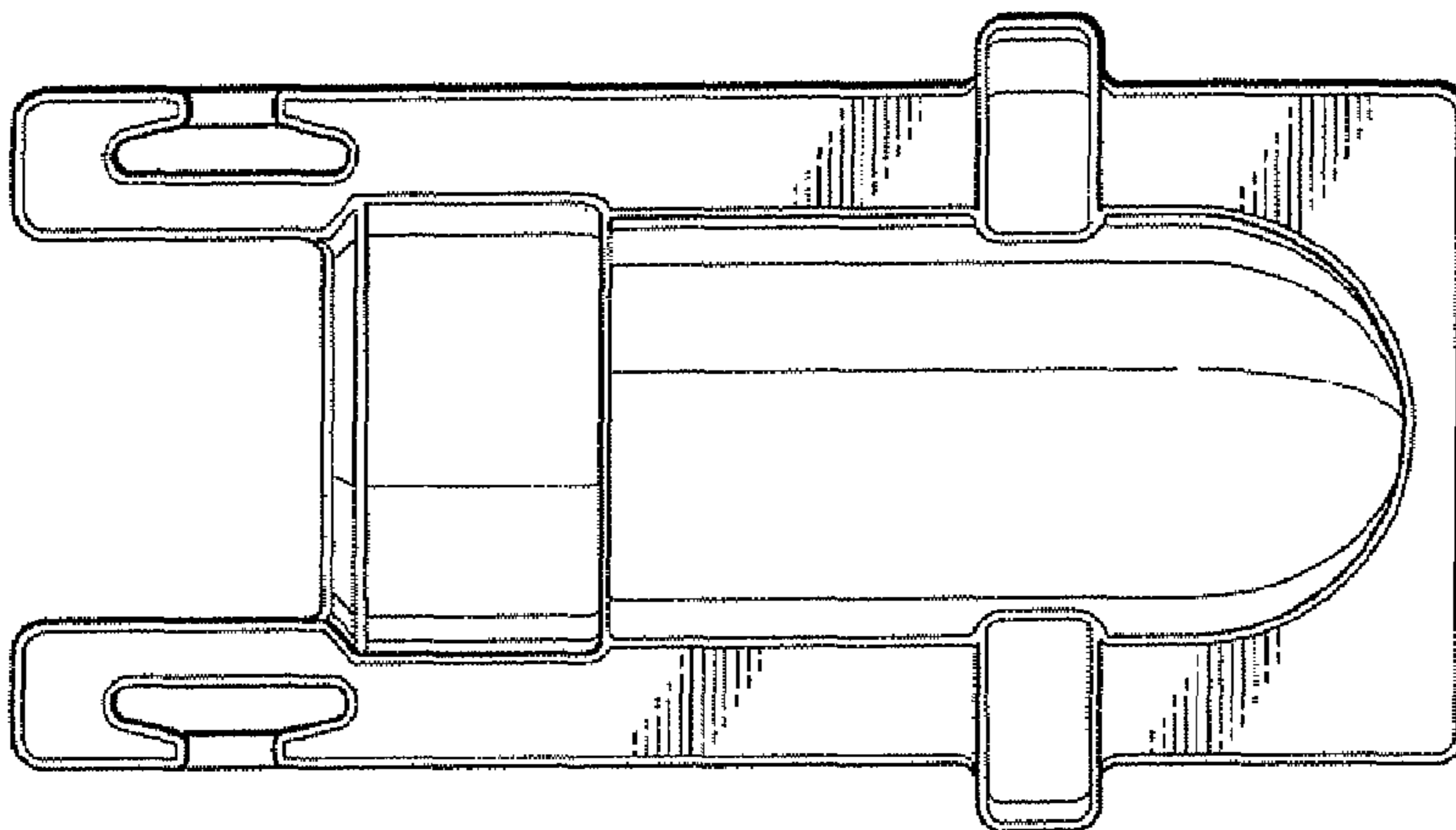


FIG - 3

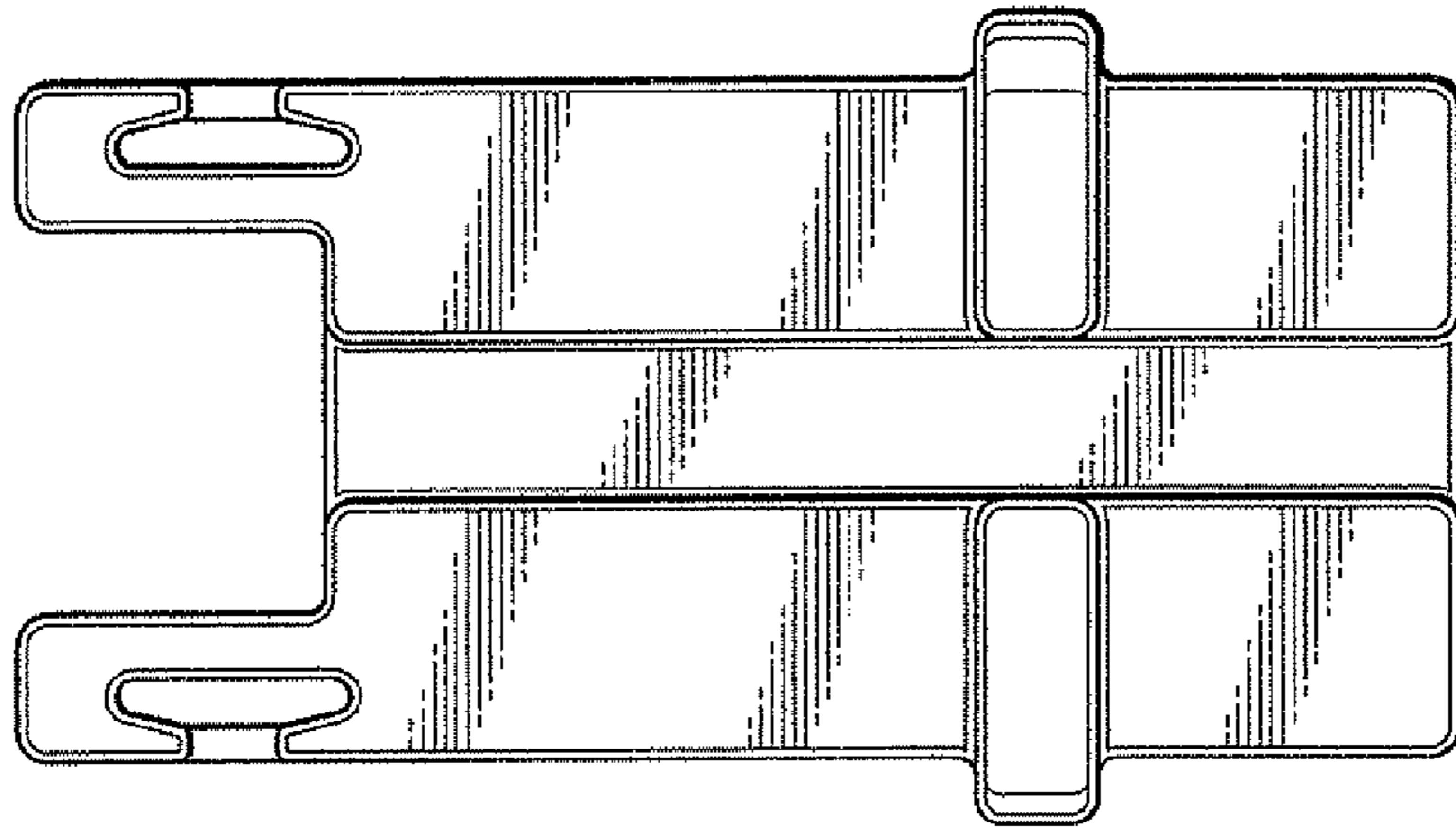


FIG - 7

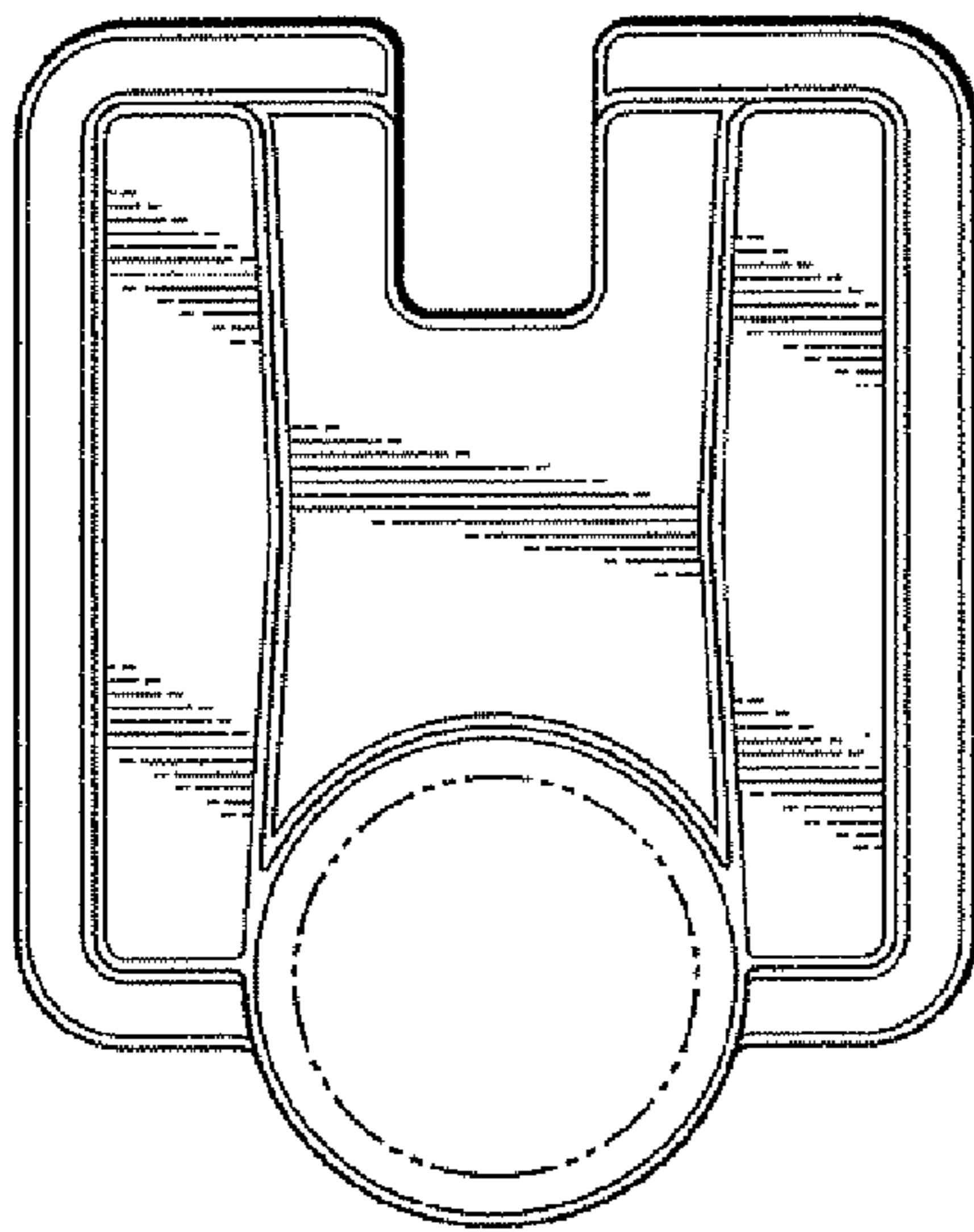


FIG - 5

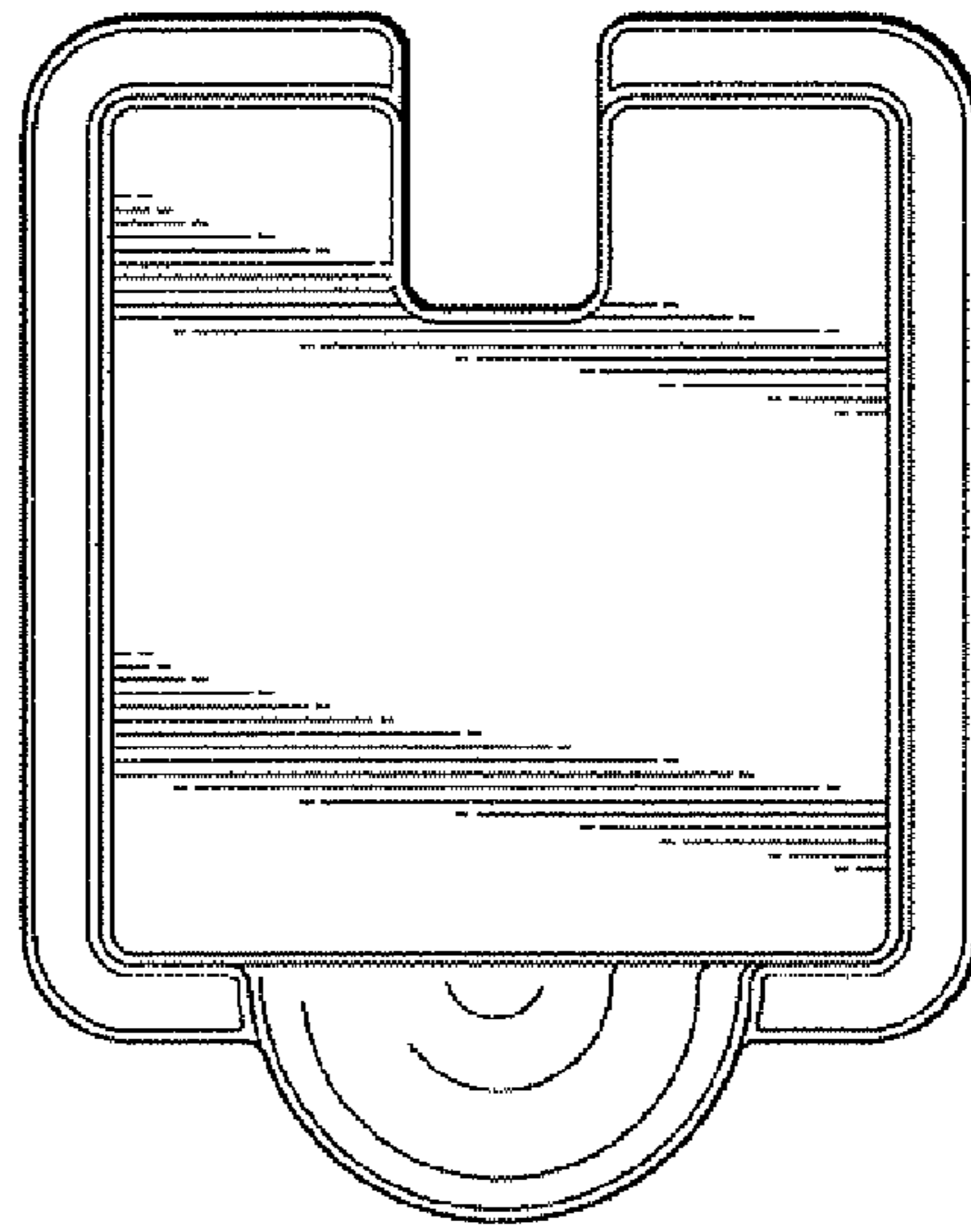


FIG - 6