



US00D582453S

(12) **United States Design Patent**  
**Davies**

(10) **Patent No.:** **US D582,453 S**

(45) **Date of Patent:** **\*\* Dec. 9, 2008**

(54) **AUTOMOBILE IGNITION CABLE DUCTING**

(76) **Inventor:** **Robert Anthony Davies**, 12 Northend Avenue, Bristol (GB) BS15 1UD

(\*\*) **Term:** **14 Years**

(21) **Appl. No.:** **29/263,594**

(22) **Filed:** **Jul. 27, 2006**

(51) **LOC (8) Cl.** ..... **15-99**

(52) **U.S. Cl.** ..... **D15/199**

(58) **Field of Classification Search** ..... D13/144,  
D13/153; D15/5, 199; 174/110 S, 113 C,  
174/120 R, 120 SC, 131, 397; 338/66, 214,  
338/322

See application file for complete search history.

(56) **References Cited**

**U.S. PATENT DOCUMENTS**

3,284,751	A *	11/1966	Barker et al.	.....	338/66
3,518,606	A *	6/1970	Barker	.....	338/214
3,680,027	A *	7/1972	Vitale	.....	338/214
3,991,397	A *	11/1976	King	.....	338/214
4,366,464	A *	12/1982	Miyamoto et al.	.....	338/66
4,369,423	A *	1/1983	Holtzberg	.....	338/66

4,700,171	A *	10/1987	Coffey et al.	.....	338/66
4,998,090	A *	3/1991	Park	.....	338/214
5,059,938	A *	10/1991	Brown	.....	338/66
5,397,860	A *	3/1995	Yochum et al.	.....	174/113 C
D367,846	S *	3/1996	Moshe	.....	D13/144
5,661,266	A *	8/1997	Chang	.....	174/102 SC
D397,994	S *	9/1998	Ben-Moshe	.....	D13/144

\* cited by examiner

*Primary Examiner*—Sandra Snapp  
*Assistant Examiner*—Patricia Palasik

(57) **CLAIM**

The ornamental design for an automobile ignition cable ducting, as shown.

**DESCRIPTION**

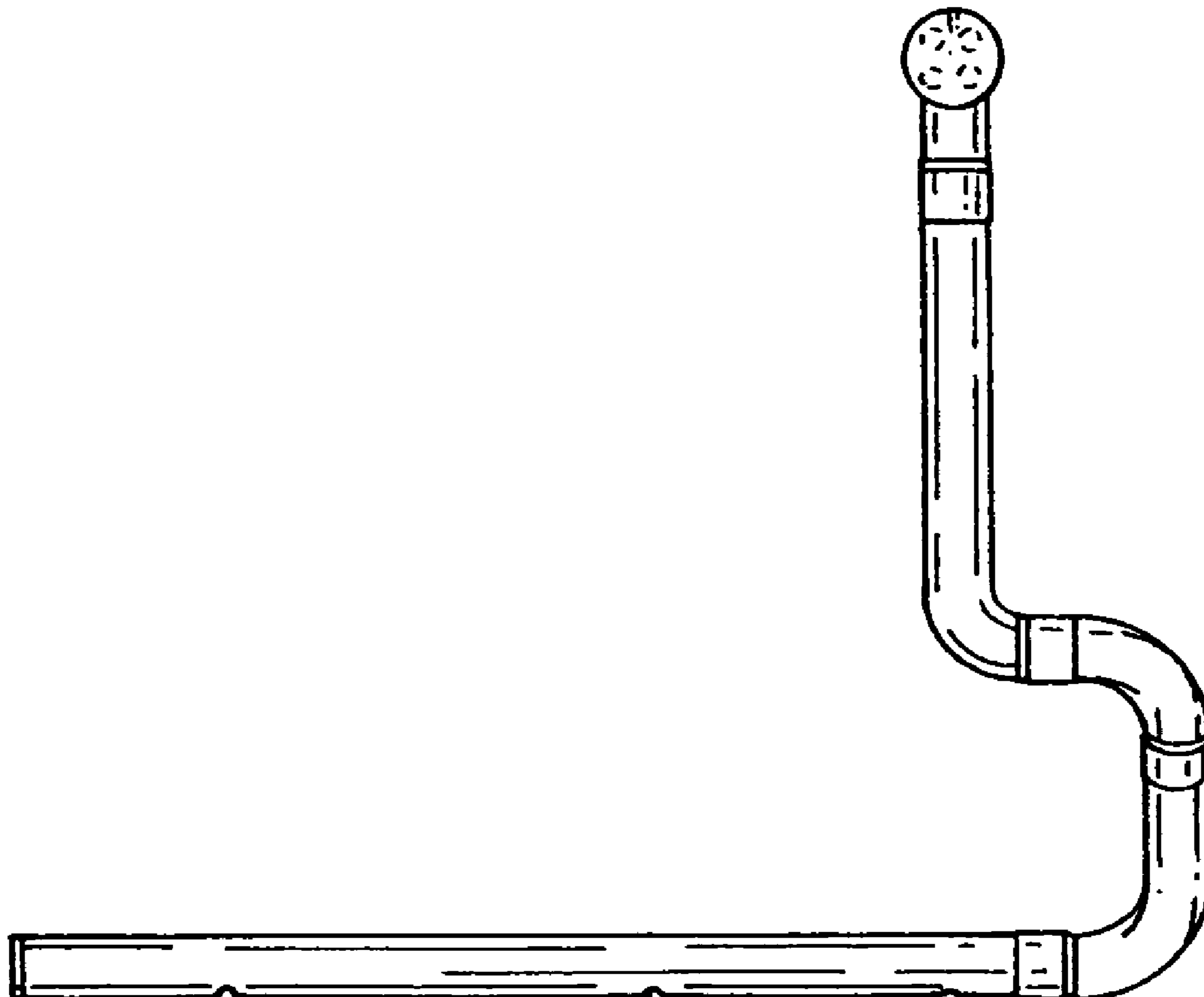
FIG. 1 is a top plan view of an automobile ignition cable ducting showing my new design;

FIG. 2 is front view thereof; and,

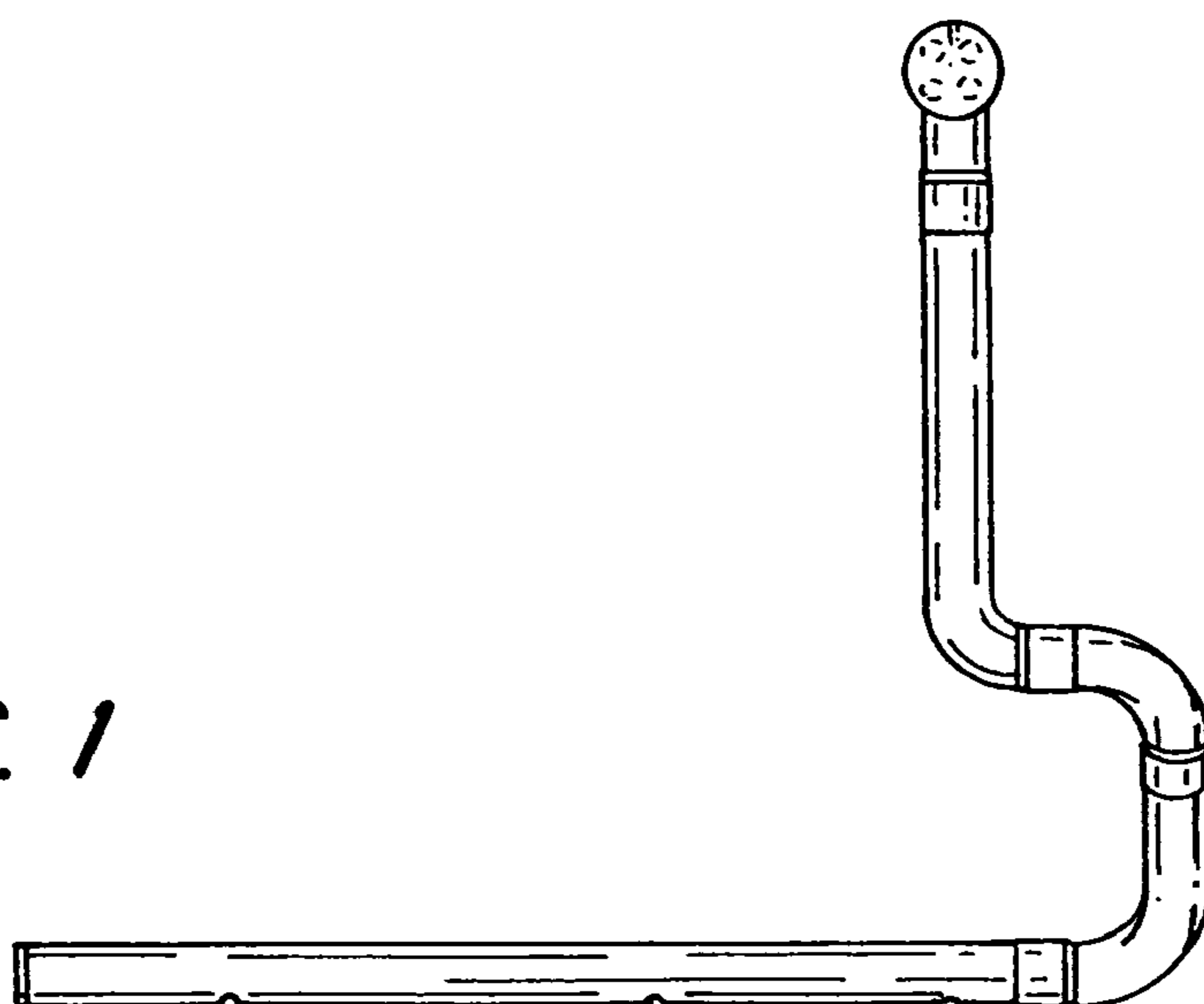
FIG. 3 is a right side elevational view thereof.

Portions of the automobile ignition cable ducting shown in broken lines in the figures are for illustrative purposes only and form no part of the claimed design.

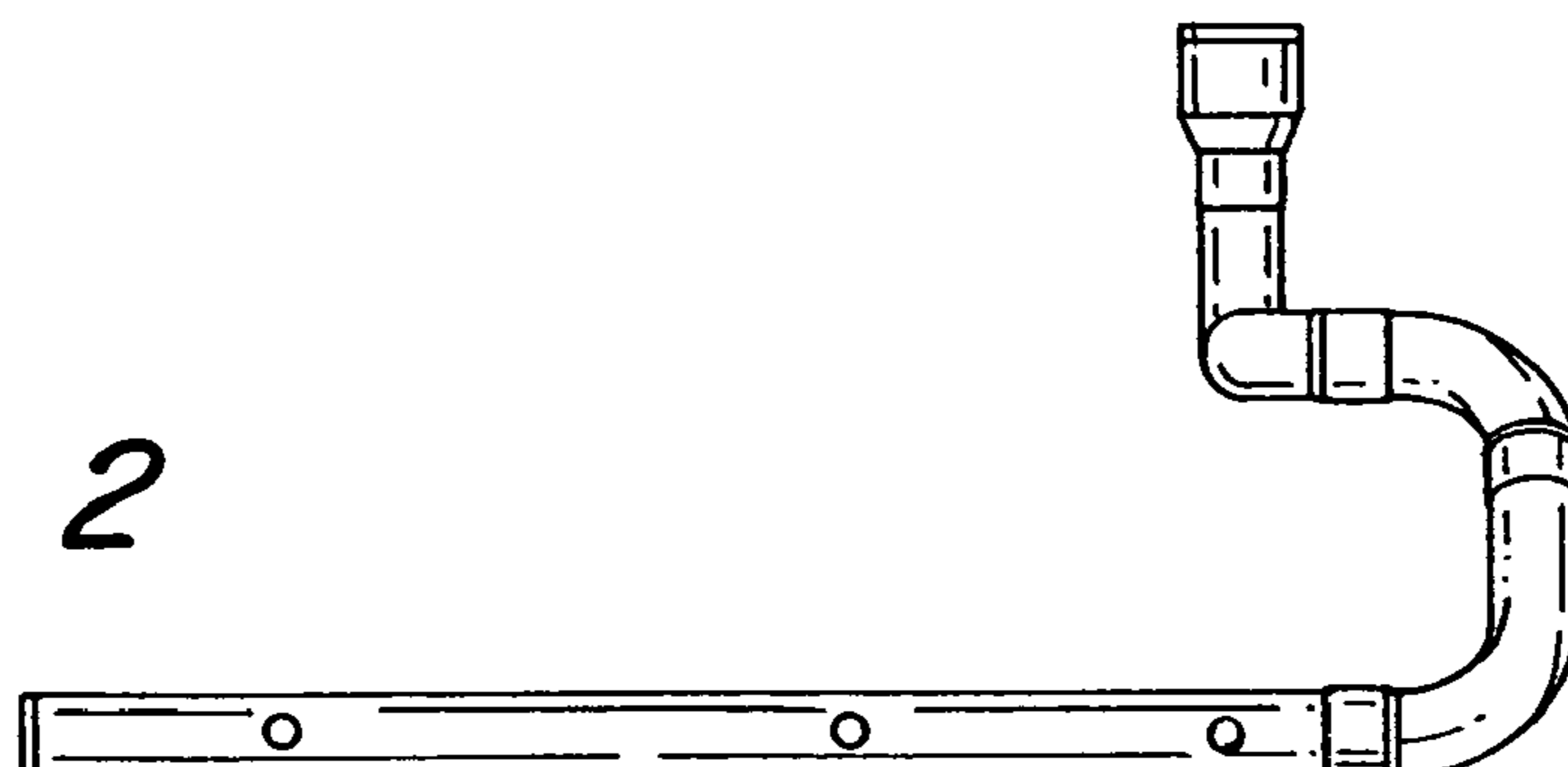
**1 Claim, 1 Drawing Sheet**



*FIG. 1*



*FIG. 2*



*FIG. 3*

