



US00D582450S

(12) **United States Design Patent**
Shirataki et al.

(10) **Patent No.:** **US D582,450 S**
(45) **Date of Patent:** **** Dec. 9, 2008**

(54) **ONE-WAY CLUTCH**

(75) Inventors: **Hirobumi Shirataki**, Shizuoka (JP);
Shinya Okuma, Shizuoka (JP);
Tomoharu Ando, Shizuoka (JP);
Yasuhide Takasu, Shizuoka (JP)

(73) Assignee: **NSK-Warner K.K.**, Tokyo (JP)

(**) Term: **14 Years**

(21) Appl. No.: **29/309,102**

(22) Filed: **Jun. 23, 2008**

(30) **Foreign Application Priority Data**

Apr. 2, 2008 (JP) 2007-008476

(51) **LOC (8) Cl.** **15-09**

(52) **U.S. Cl.** **D15/148**

(58) **Field of Classification Search** D15/5,
D15/143, 148, 149; 192/38, 44, 45, 70.17,
192/70.2, 212, 214, 214.1; 384/526, 534,
384/576

See application file for complete search history.

(56) **References Cited**

U.S. PATENT DOCUMENTS

1,708,215	A	4/1929	Chryst	
2,843,238	A	7/1958	Rozner	
4,368,809	A	1/1983	Husmann	
D288,934	S *	3/1987	Brown	D15/148
5,125,489	A *	6/1992	Cha	192/64
5,176,232	A *	1/1993	Malecha	192/45
D364,179	S *	11/1995	Brush	D15/148
D368,481	S *	4/1996	Ijames	D15/5
D395,325	S *	6/1998	Fukuda	D15/148
D402,299	S *	12/1998	Mizukami	D15/148
5,941,355	A	8/1999	Iga	
D423,530	S *	4/2000	Mizukami	D15/148
D487,760	S *	3/2004	Martin	D15/148
6,769,525	B2 *	8/2004	Pascoe	192/45
D533,204	S *	12/2006	Kinoshita	D15/149

7,191,881	B2 *	3/2007	Tsukada et al.	192/45
2003/0029686	A1 *	2/2003	Pascoe	192/45
2004/0245061	A1 *	12/2004	Ohishi et al.	192/45
2005/0236247	A1 *	10/2005	Muramatsu	192/45
2007/0246318	A1	10/2007	Shirataki et al.	
2007/0251794	A1 *	11/2007	Shirataki et al.	192/45
2008/0047796	A1 *	2/2008	Ogata et al.	192/45
2008/0067025	A1 *	3/2008	Yamakawa	192/45

FOREIGN PATENT DOCUMENTS

DE 29 28 587 1/1981

* cited by examiner

Primary Examiner—Sandra Snapp

Assistant Examiner—Patricia Palasik

(74) *Attorney, Agent, or Firm*—Jean C. Edwards, Esq.;
Akerman Senterfitt

(57) **CLAIM**

The ornamental design for a one-way clutch, as shown and described.

DESCRIPTION

FIG. 1 is a perspective view of the front, right and bottom of a one-way clutch, showing our new design;

FIG. 2 is a perspective view of the rear, right and bottom thereof;

FIG. 3 is a front view thereof;

FIG. 4 is a rear view thereof;

FIG. 5 is a left side view, the right side view being a mirror image thereof;

FIG. 6 is a top plan view thereof;

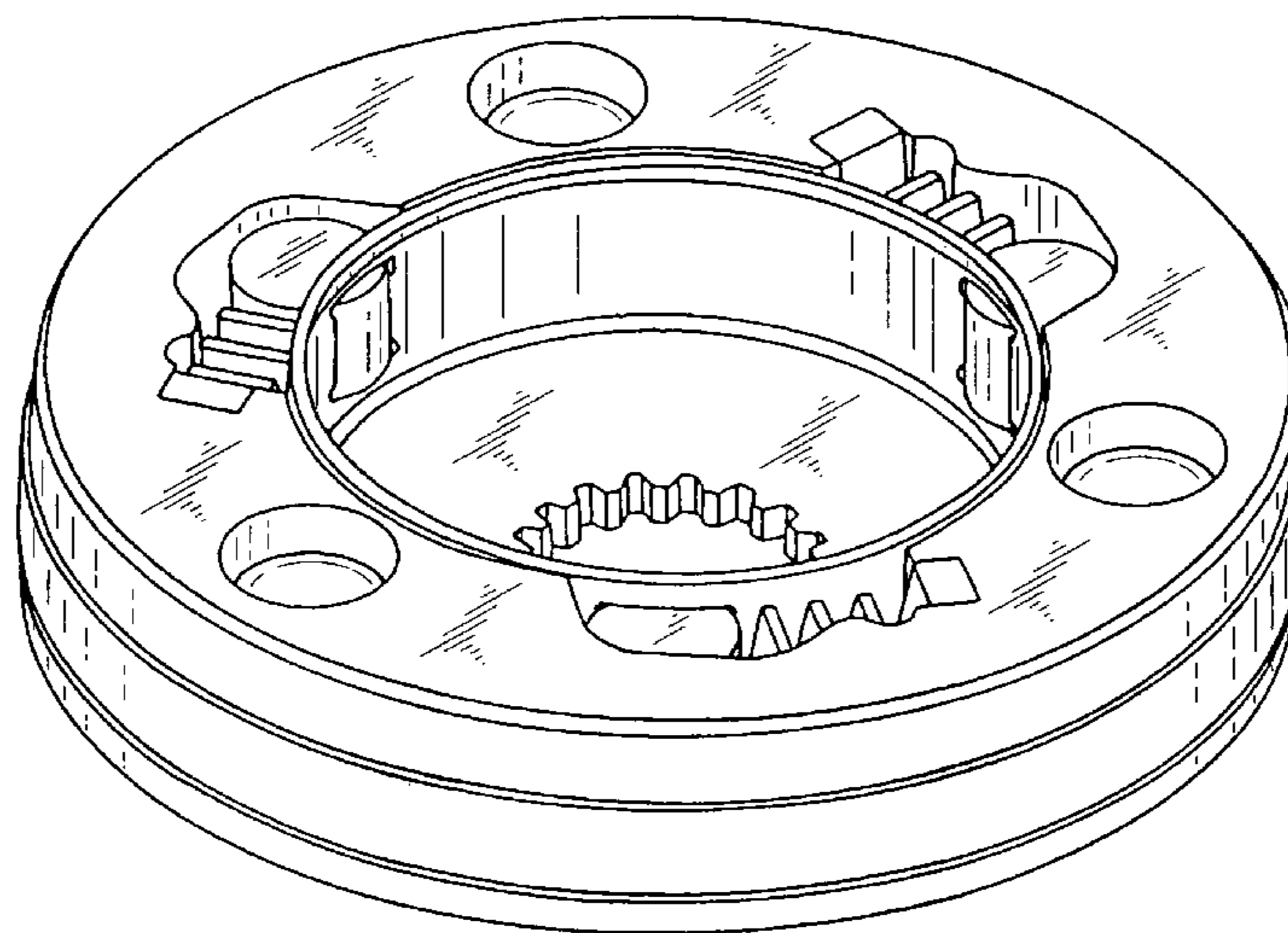
FIG. 7 is a bottom view thereof;

FIG. 8 is a reference front view showing 9 and 10 thereof;

FIG. 9 is a sectional view taken along line 9—9 of FIG. 8; and,

FIG. 10 is an enlarged cross sectional view taken along line 10—10 of FIG. 8.

1 Claim, 9 Drawing Sheets



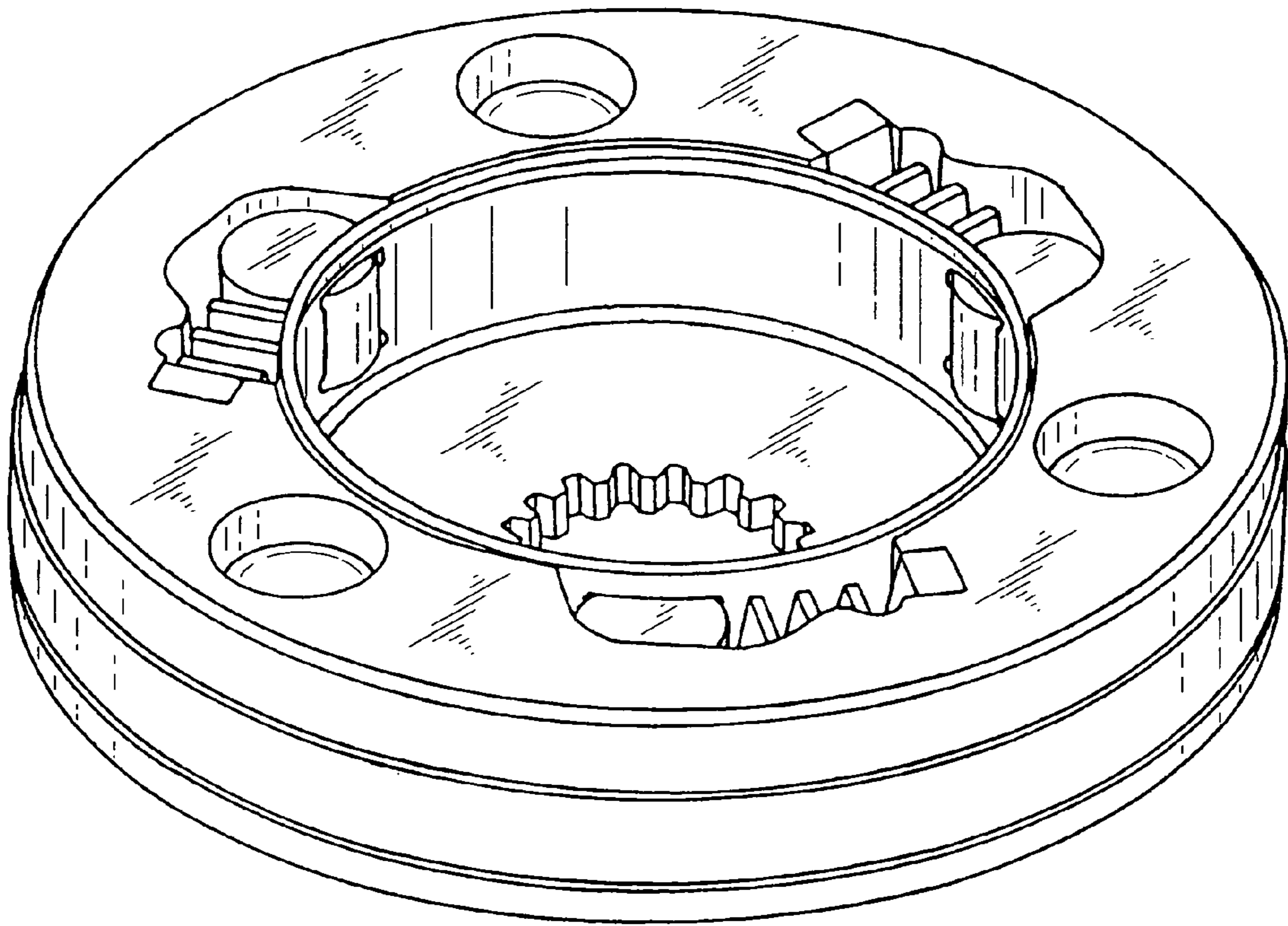


FIG. 1

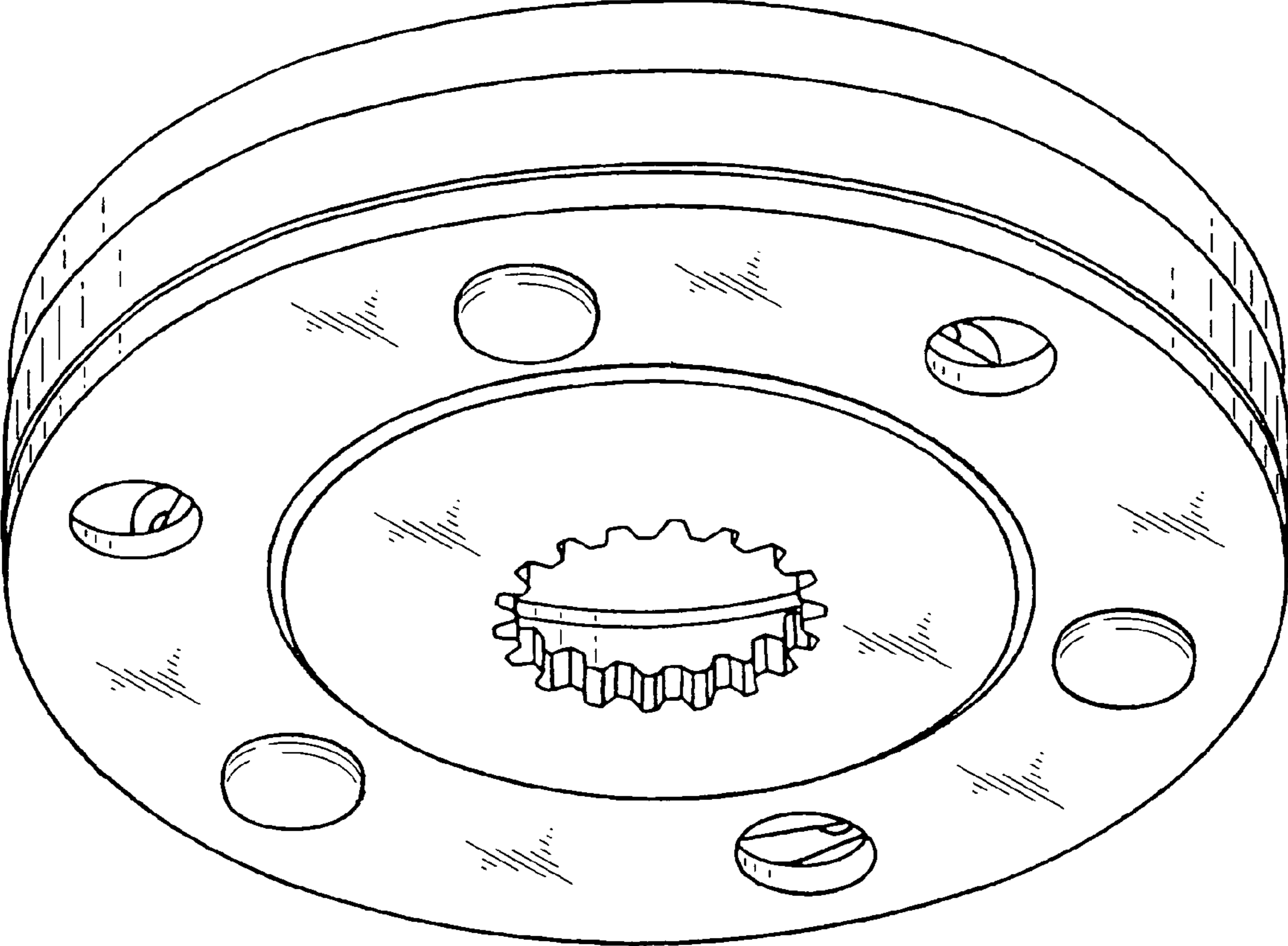


FIG. 2

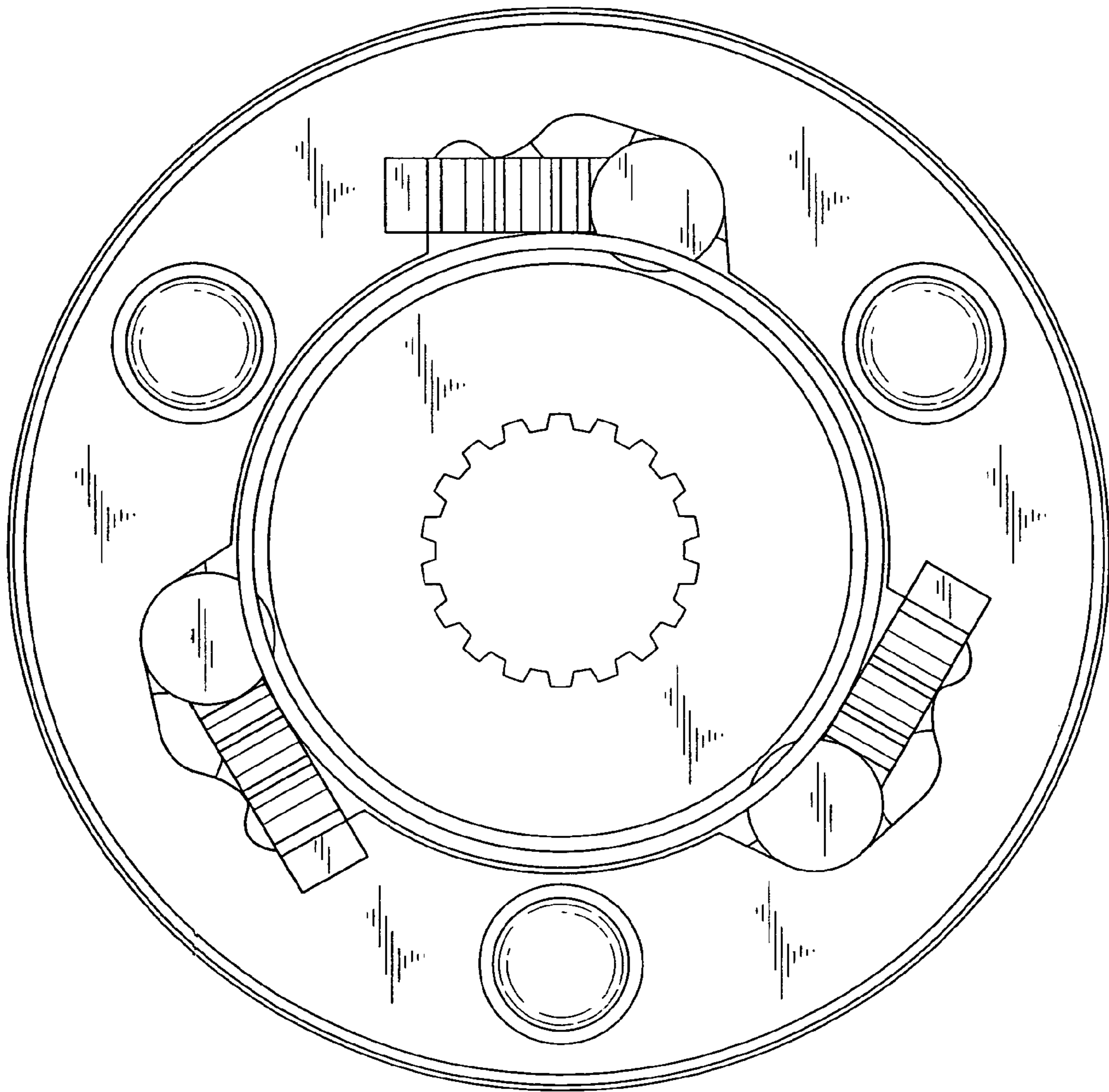


FIG. 3

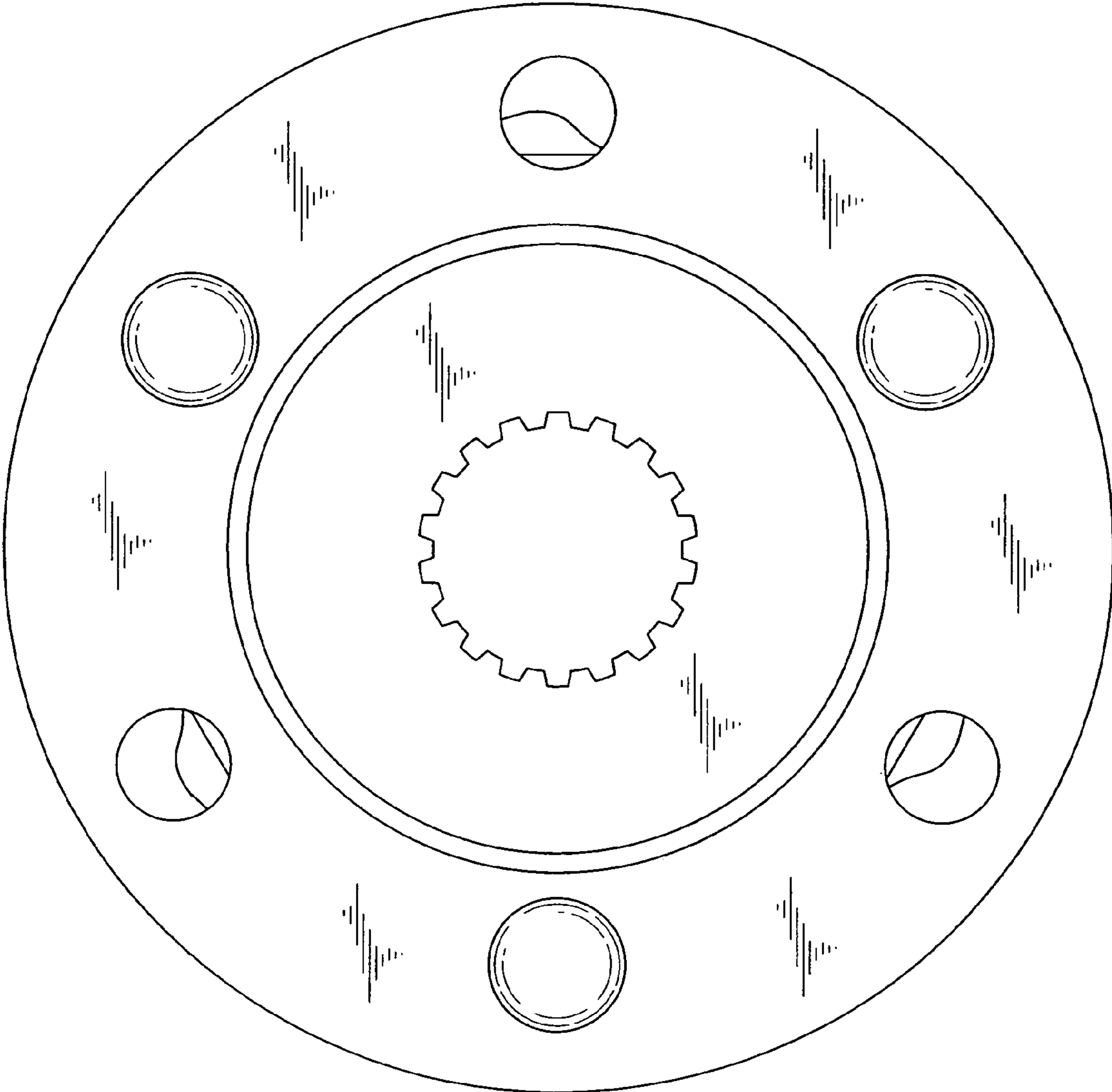


FIG. 4

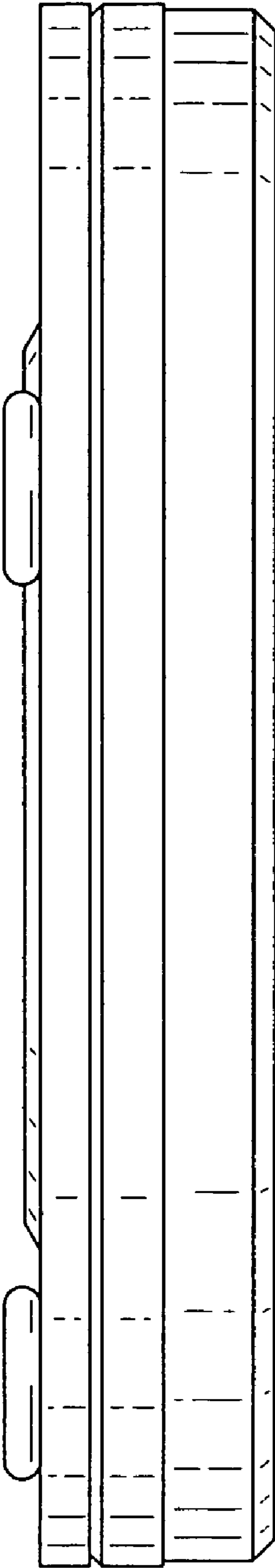


FIG. 5

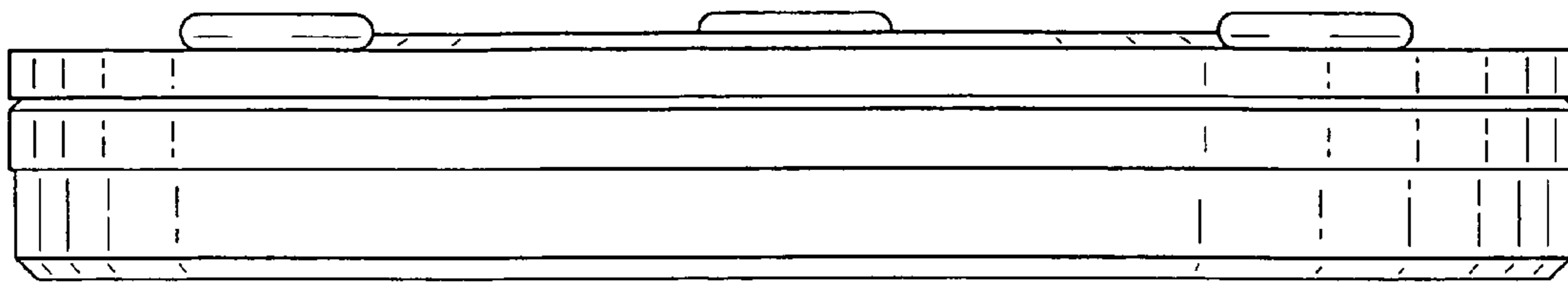


FIG. 6

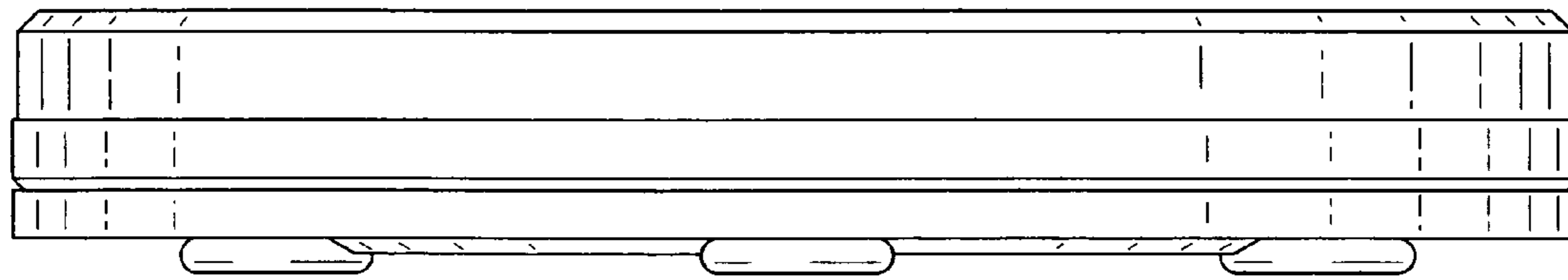


FIG. 7

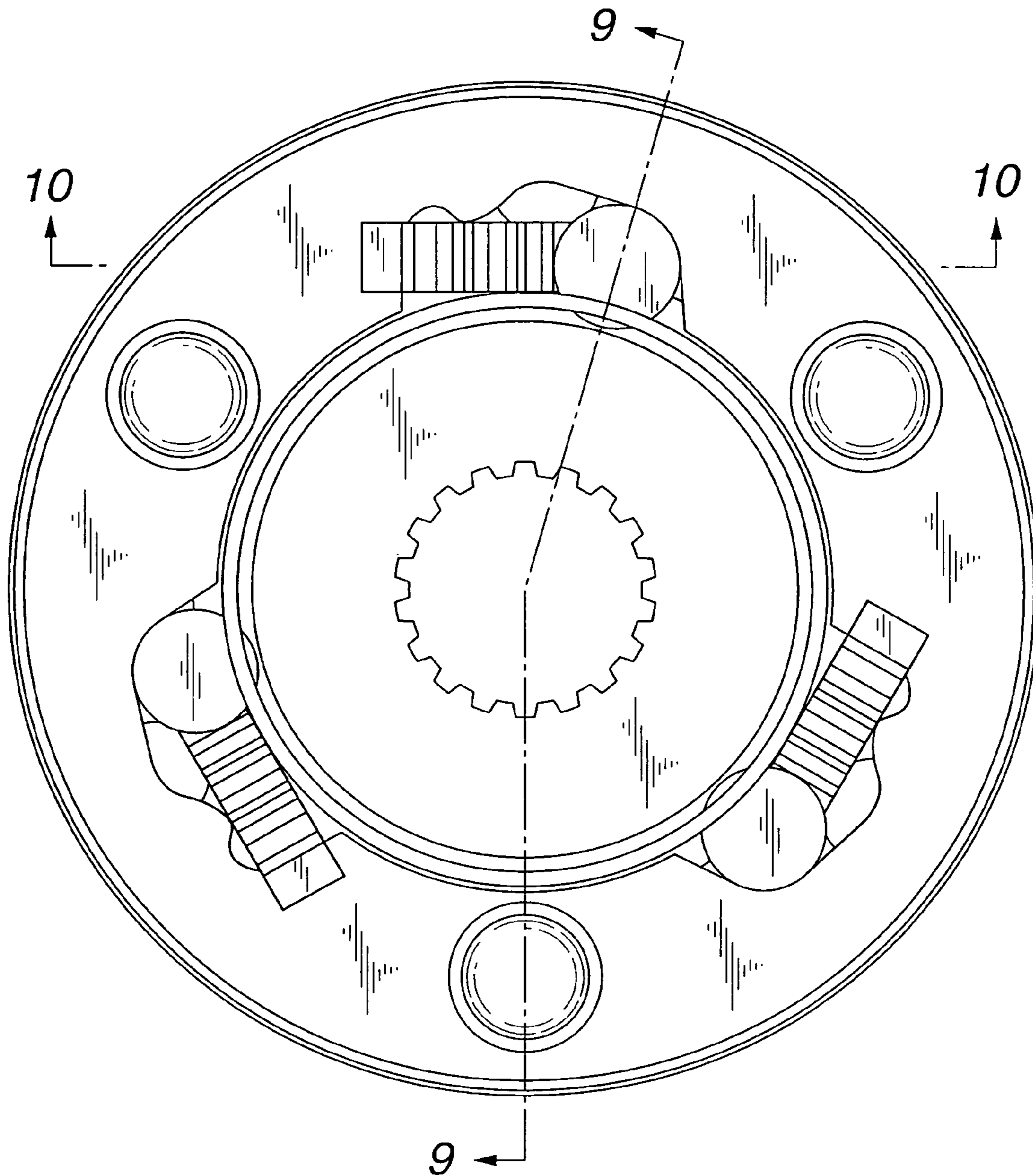


FIG. 8

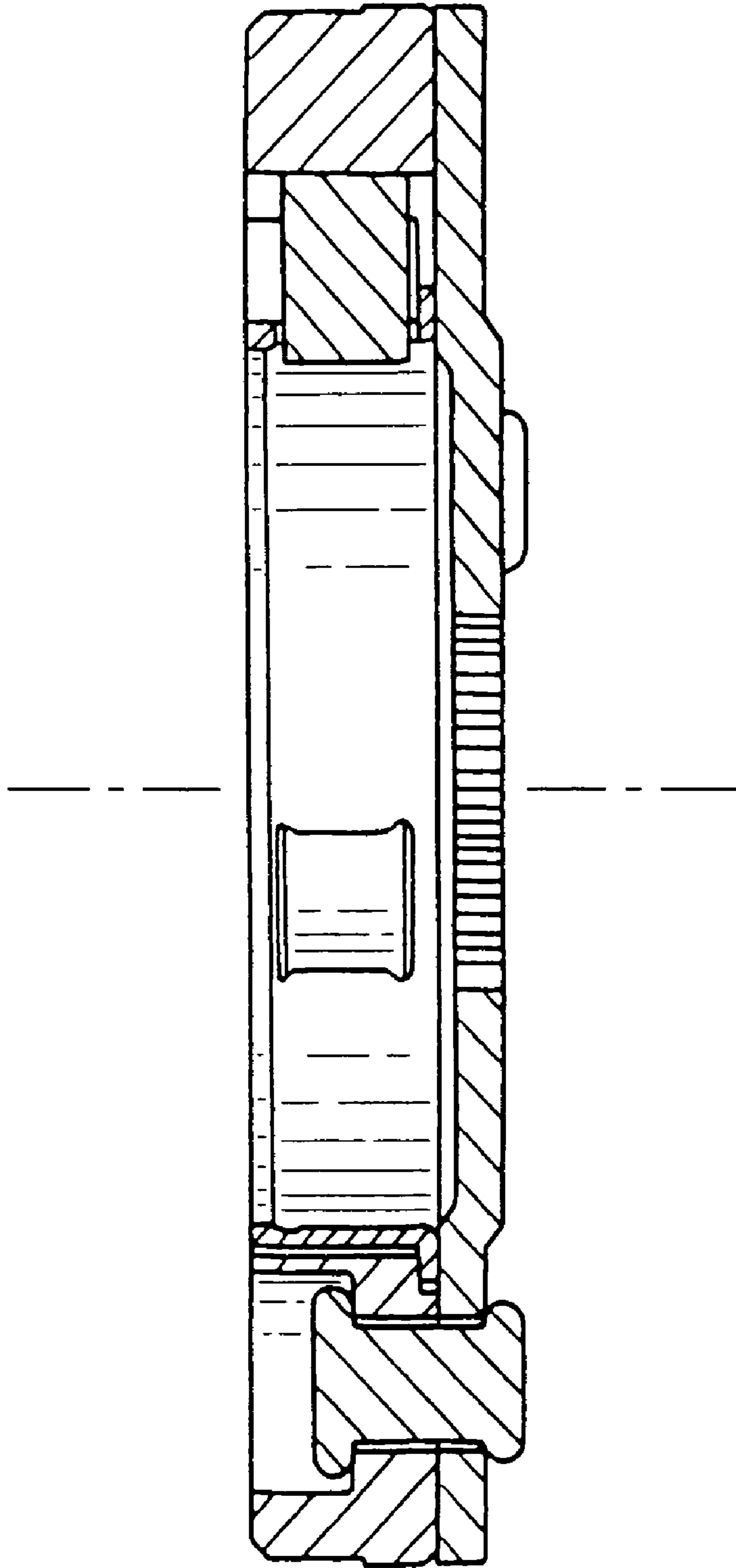


FIG. 9

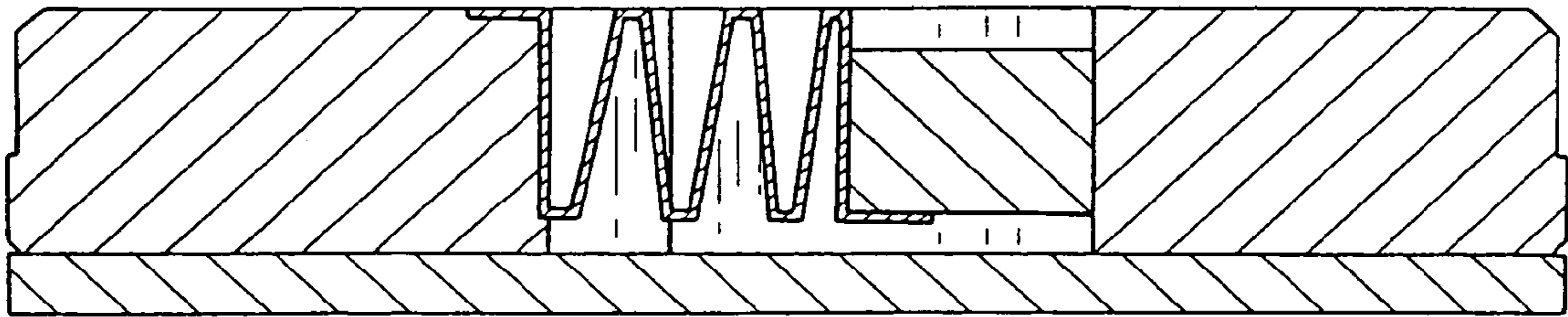


FIG. 10