



US00D582446S

(12) **United States Design Patent**
Park

(10) **Patent No.:** **US D582,446 S**

(45) **Date of Patent:** **** Dec. 9, 2008**

(54) **ABRASIVE SEGMENT**

(76) **Inventor:** **Rin Soon Park**, #1-401, Yongsang
Apartment, 22/7, 150-3, Wonjong
1-dong, Ojeong-gu, Bucheon-si,
Gyeonggi-do (KR) 421-201

(**) **Term:** **14 Years**

(21) **Appl. No.:** **29/322,230**

(22) **Filed:** **Jul. 31, 2008**

(30) **Foreign Application Priority Data**

Feb. 1, 2008 (KR) 30-2008-0004874

(51) **LOC (8) Cl.** **15-09**

(52) **U.S. Cl.** **D15/126**

(58) **Field of Classification Search** D8/70,
D8/71, 90, 98; D15/124, 126, 138, 139;
D21/485, 488, 499, 500, 503, 504; D25/103,
D25/113-118; 83/589, 676, 863; 407/35,
407/42, 112-119; 451/548-551

See application file for complete search history.

(56) **References Cited**

U.S. PATENT DOCUMENTS

3,745,719 A * 7/1973 Oswald 451/548
D241,059 S * 8/1976 Young D15/124
D249,558 S * 9/1978 Blomqvist D25/35

4,212,137 A * 7/1980 Rue 451/542
D296,107 S * 6/1988 Andersson D15/139
5,683,143 A * 11/1997 Peterson et al. 299/41.1
D482,587 S * 11/2003 Moren et al. D8/90
7,066,795 B2 * 6/2006 Balagani et al. 451/285
D548,758 S * 8/2007 Park et al. D15/126
2005/0164620 A1 * 7/2005 Amamoto 451/548
2006/0116060 A1 * 6/2006 Thysell 451/548

* cited by examiner

Primary Examiner—Sandra Snapp
Assistant Examiner—Patricia Palasik

(57) **CLAIM**

The ornamental design for an abrasive segment, as shown and described.

DESCRIPTION

FIG. 1 is a perspective view of the abrasive segment of the present invention;

FIG. 2 is a front elevation view thereof;

FIG. 3 is a rear elevation view thereof;

FIG. 4 is a left side elevation view thereof;

FIG. 5 is a right side elevation view thereof;

FIG. 6 is a top plan view thereof; and,

FIG. 7 is a bottom plan view thereof.

1 Claim, 7 Drawing Sheets

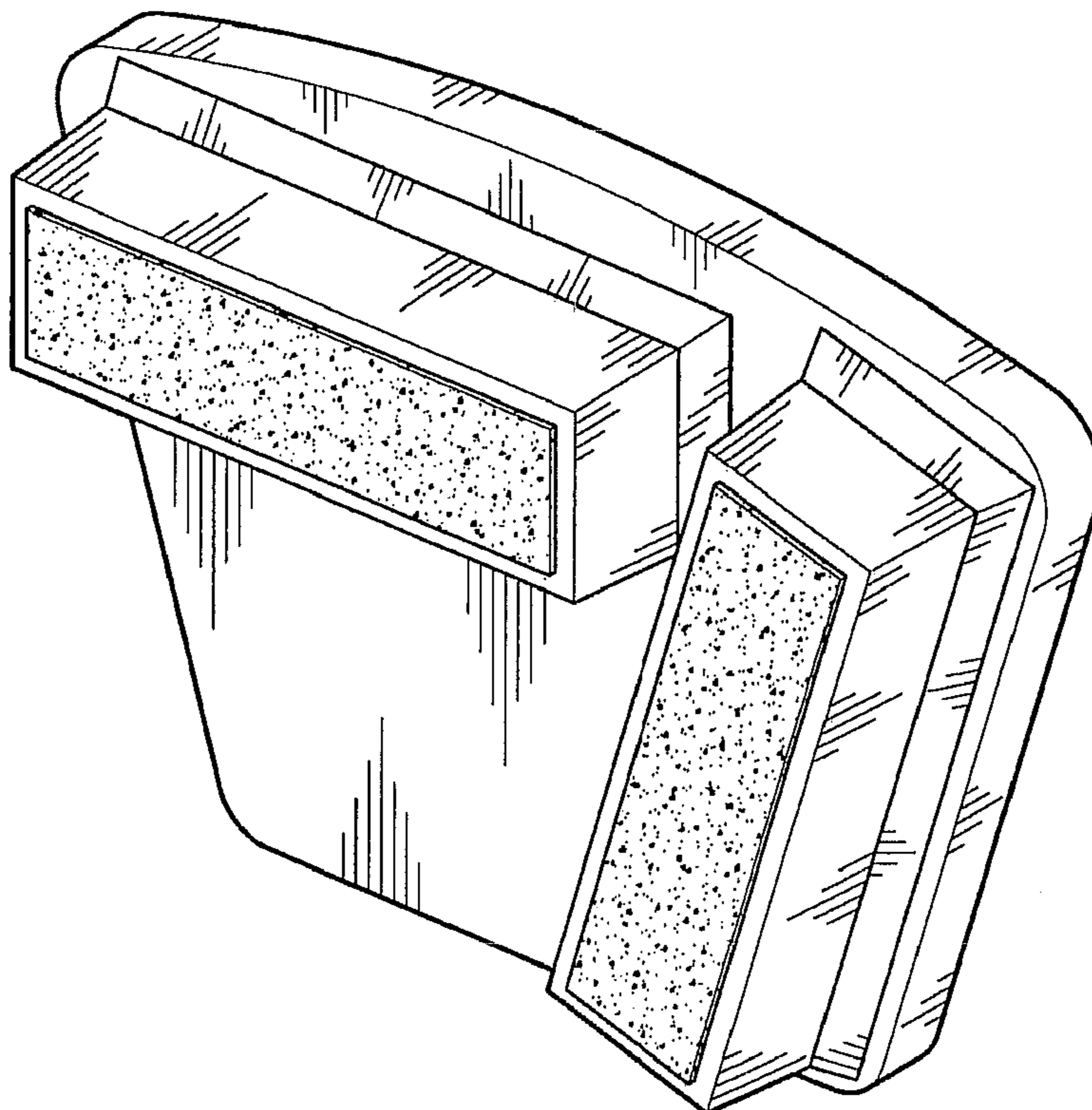


Fig. 1

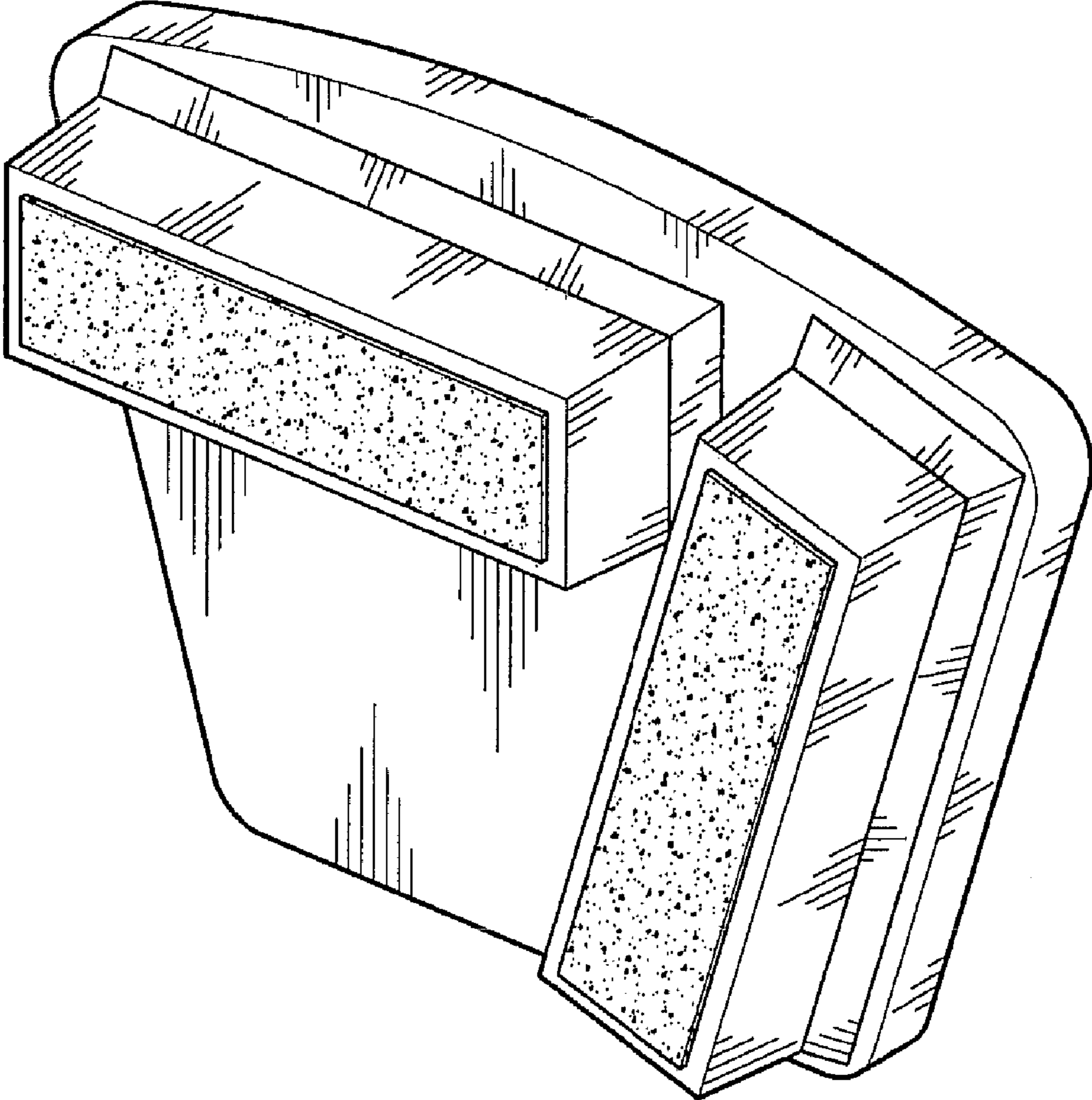


Fig. 2

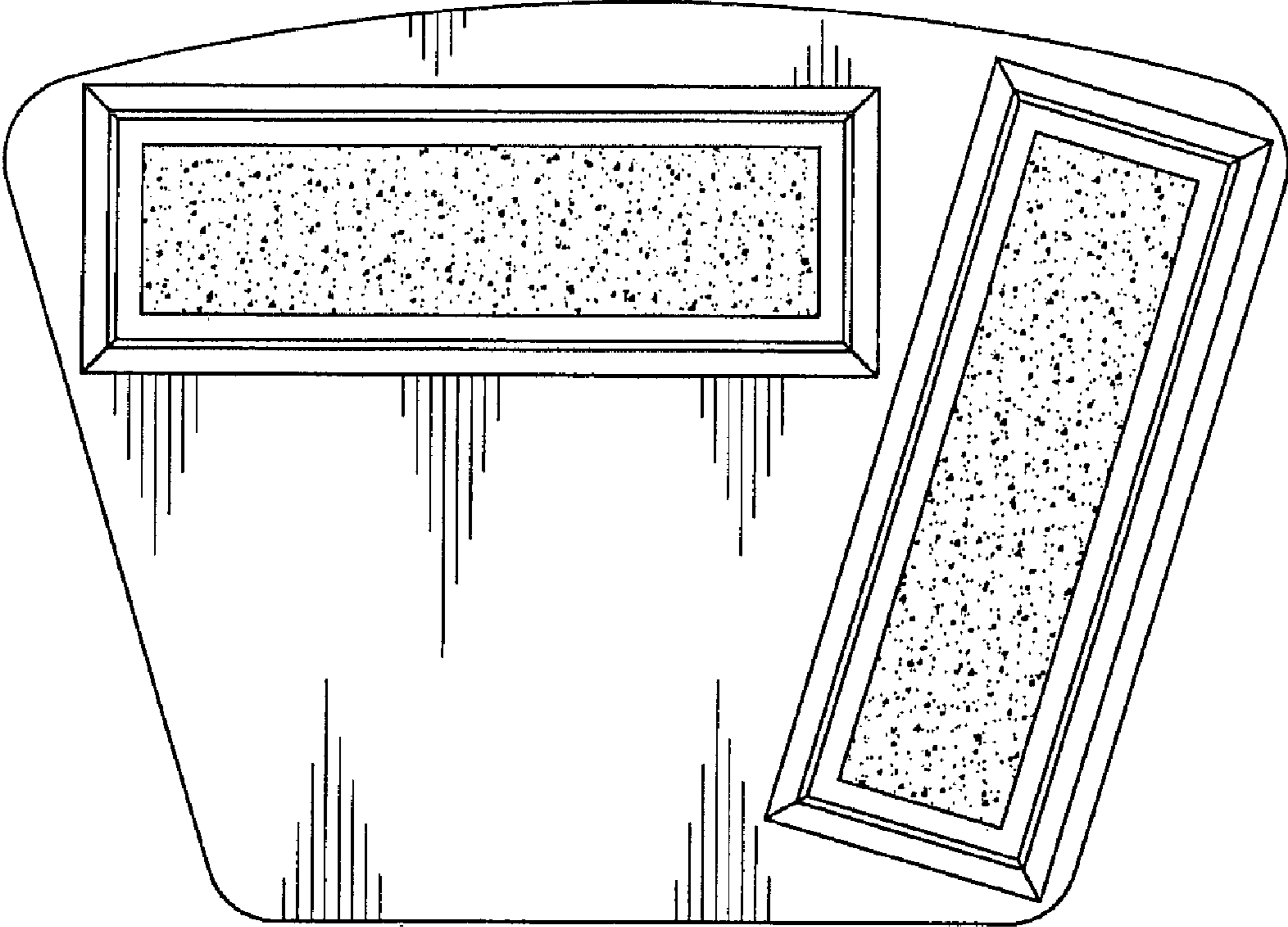


Fig. 3

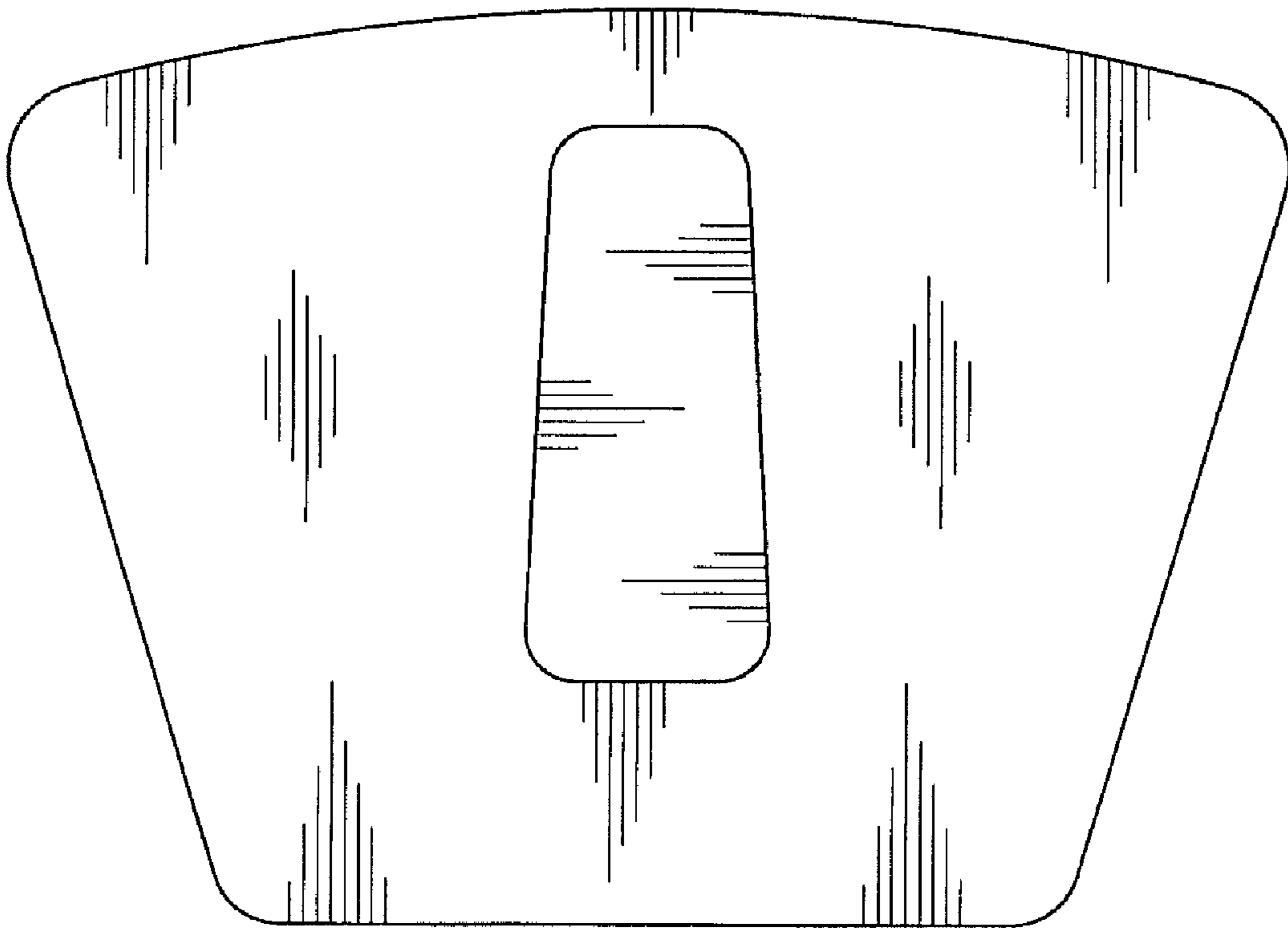


Fig. 4

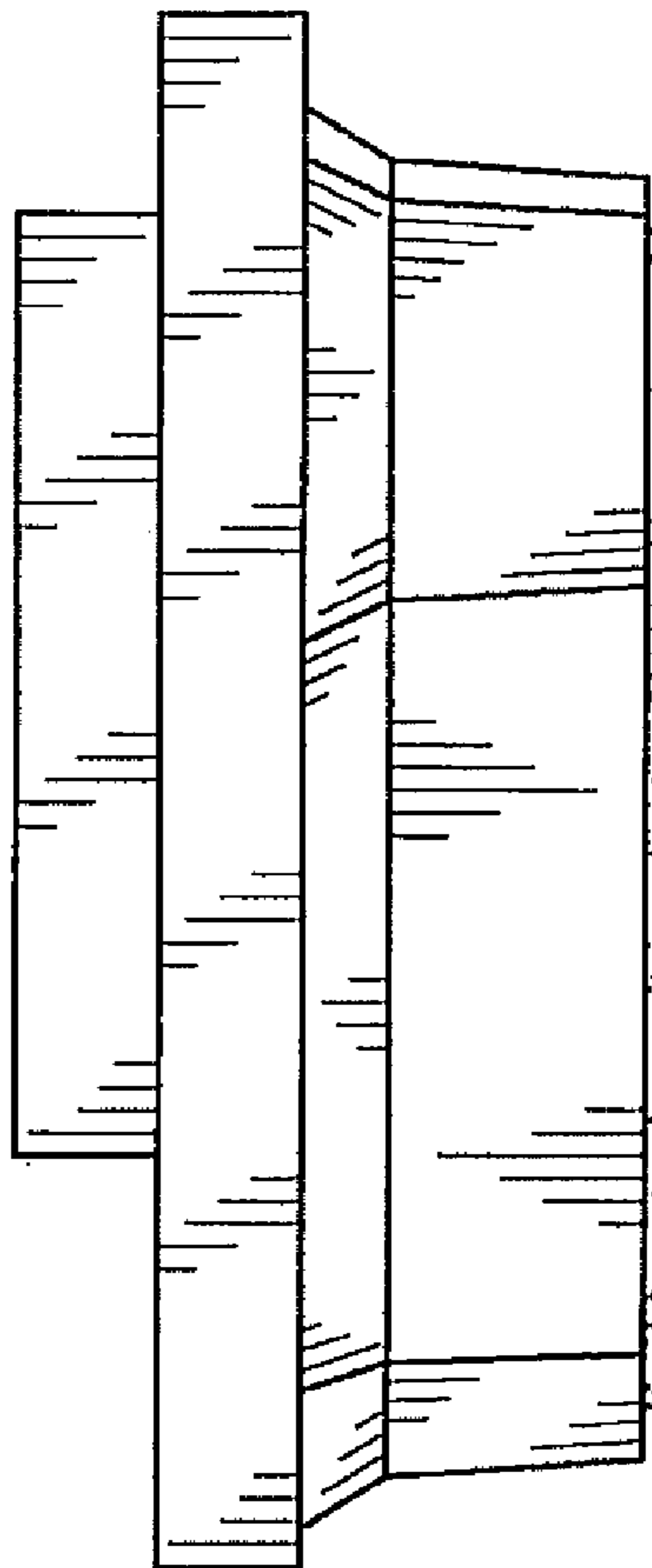


Fig. 5

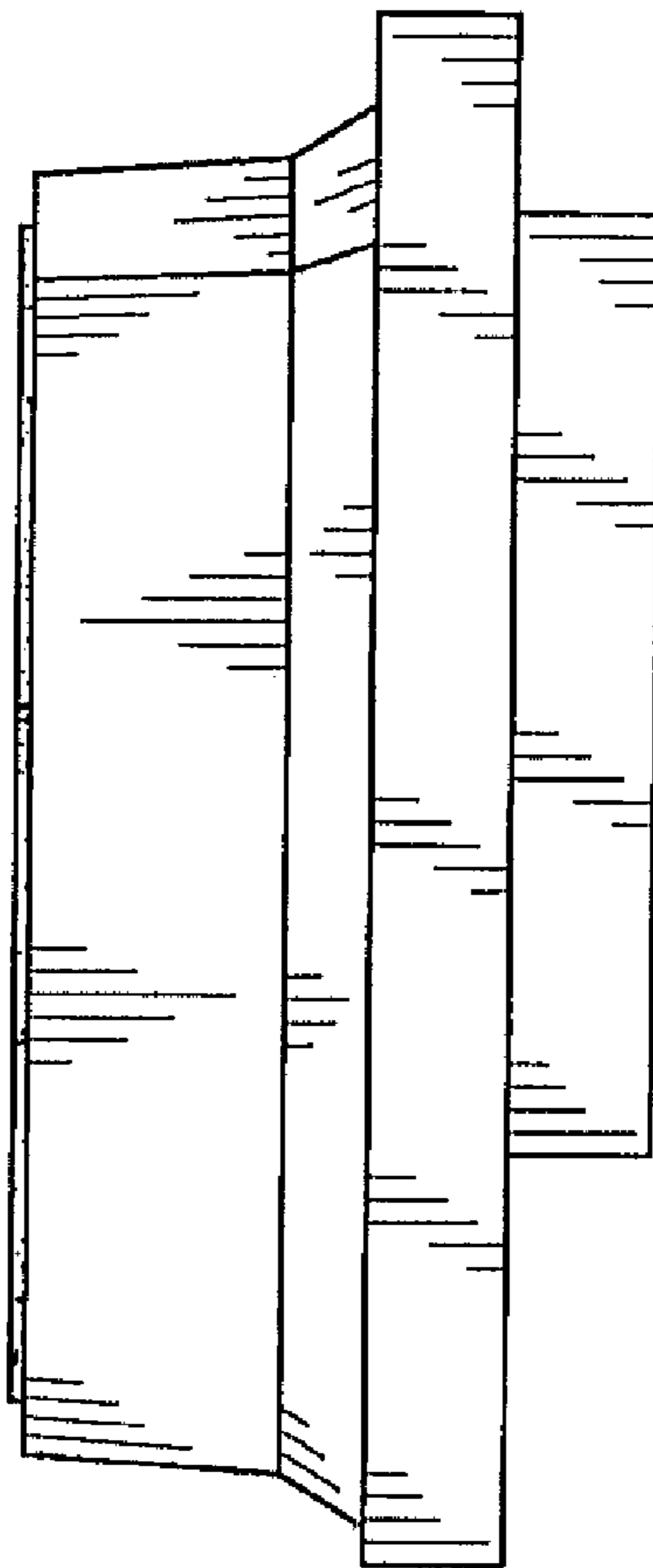


Fig. 6

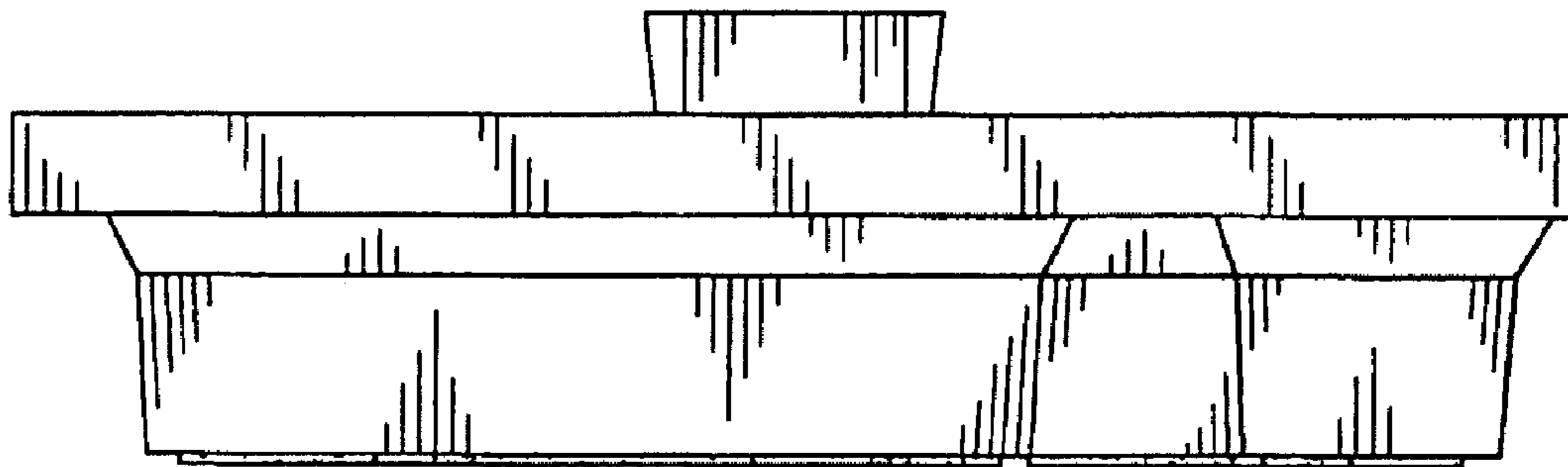


Fig. 7

