



US00D582445S

(12) **United States Design Patent**
Yanase

(10) **Patent No.:** **US D582,445 S**
(45) **Date of Patent:** **** Dec. 9, 2008**

(54) **ABRASIVE DISC**

(75) Inventor: **Isamu Yanase**, Tanba (JP)

(73) Assignee: **Yanase Kabushiki Kaisha**, Hyogo (JP)

(**) Term: **14 Years**

(21) Appl. No.: **29/300,947**

(22) Filed: **Jun. 4, 2008**

(51) **LOC (8) Cl.** **15-09**

(52) **U.S. Cl.** **D15/126**

(58) **Field of Classification Search** D8/20,
D8/61, 62, 63, 70; D15/124, 125, 126; 83/589,
83/663, 676; 451/548-551

See application file for complete search history.

(56) **References Cited**

U.S. PATENT DOCUMENTS

3,711,999	A *	1/1973	Held	451/541
D284,969	S *	8/1986	Olovsson	D15/126
D474,954	S *	5/2003	Kim et al.	D8/70
6,582,289	B1 *	6/2003	Eisenberg	451/548
D498,486	S *	11/2004	Eisenblaetter	D15/126
7,004,829	B2 *	2/2006	Keuler	451/466
D541,124	S *	4/2007	Popov	D8/70
D547,337	S *	7/2007	Park	D15/126
D549,746	S *	8/2007	Popov	D15/126

7,258,044	B2 *	8/2007	Williams	76/101.1
D571,381	S *	6/2008	Park	D15/126
2002/0037694	A1 *	3/2002	Katsuyama et al.	451/526
2006/0014482	A1 *	1/2006	Wentworth et al.	451/466

FOREIGN PATENT DOCUMENTS

WO WO-2004/045805 A1 6/2004

* cited by examiner

Primary Examiner—Sandra Snapp

Assistant Examiner—Patricia Palasik

(74) *Attorney, Agent, or Firm*—Birch, Stewart, Kolasch & Birch, LLP

(57) **CLAIM**

The ornamental design for an abrasive disc, as shown and described.

DESCRIPTION

FIG. 1 is a front view of an abrasive disc showing my new design;

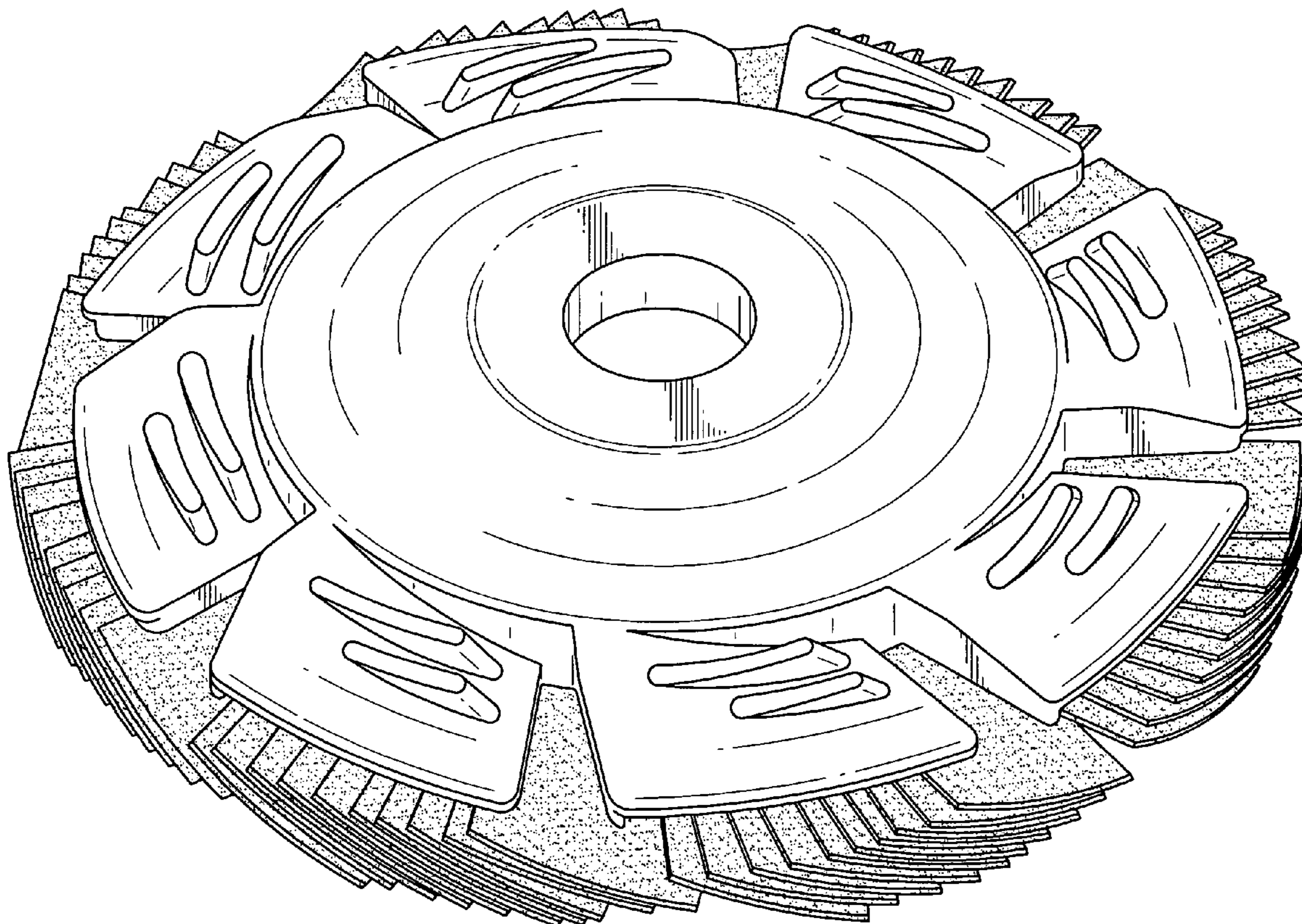
FIG. 2 is a top perspective view thereof;

FIG. 3 is a bottom perspective view thereof;

FIG. 4 is a top view thereof; and,

FIG. 5 is bottom view thereof.

1 Claim, 5 Drawing Sheets



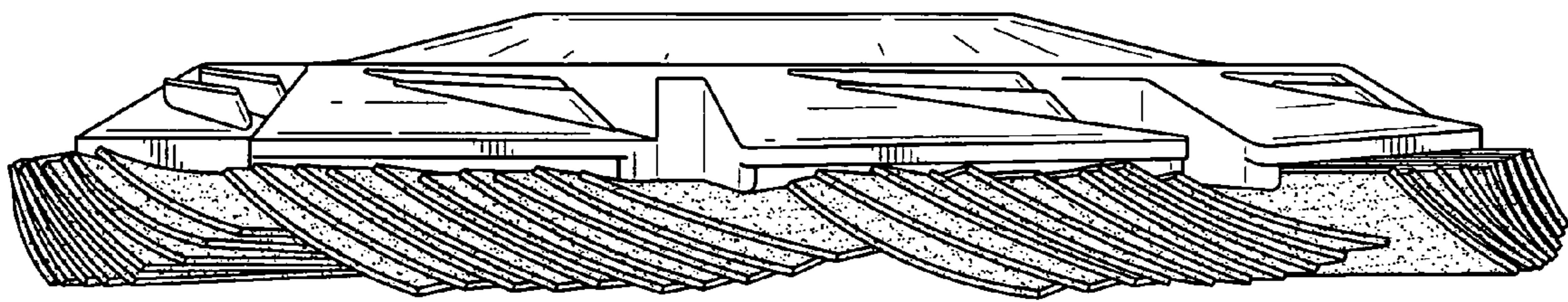


FIG.1

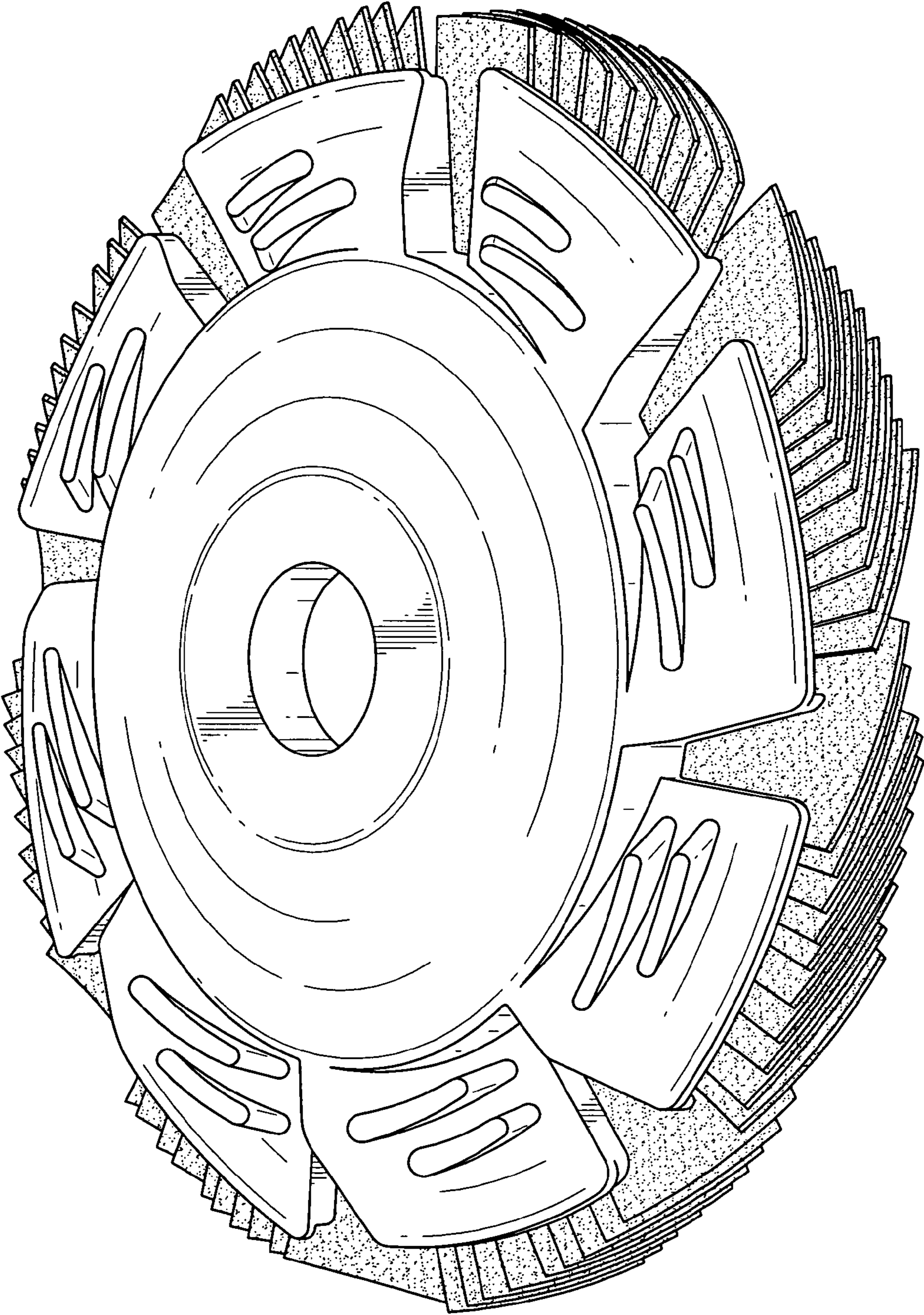


FIG.2

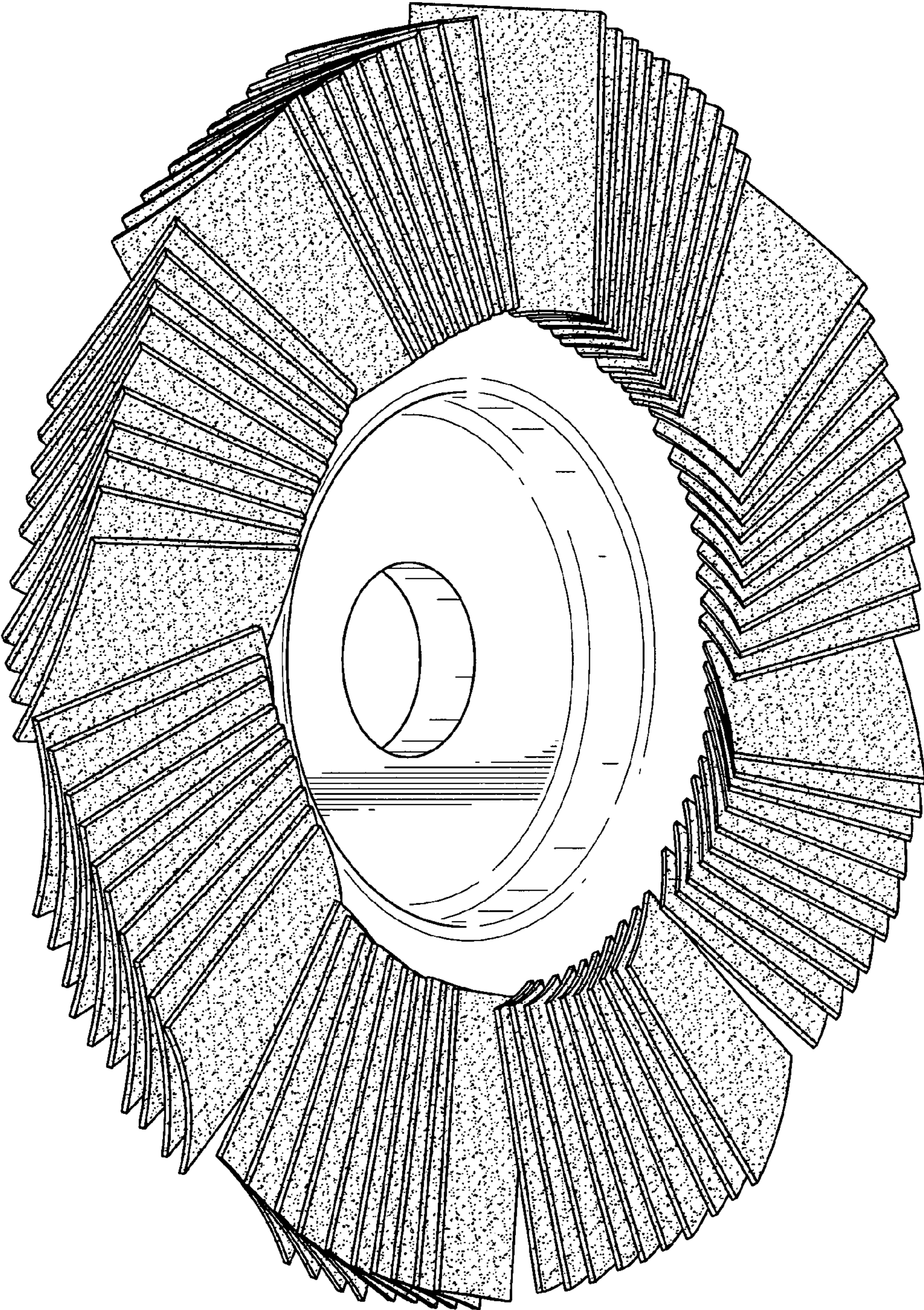


FIG.3

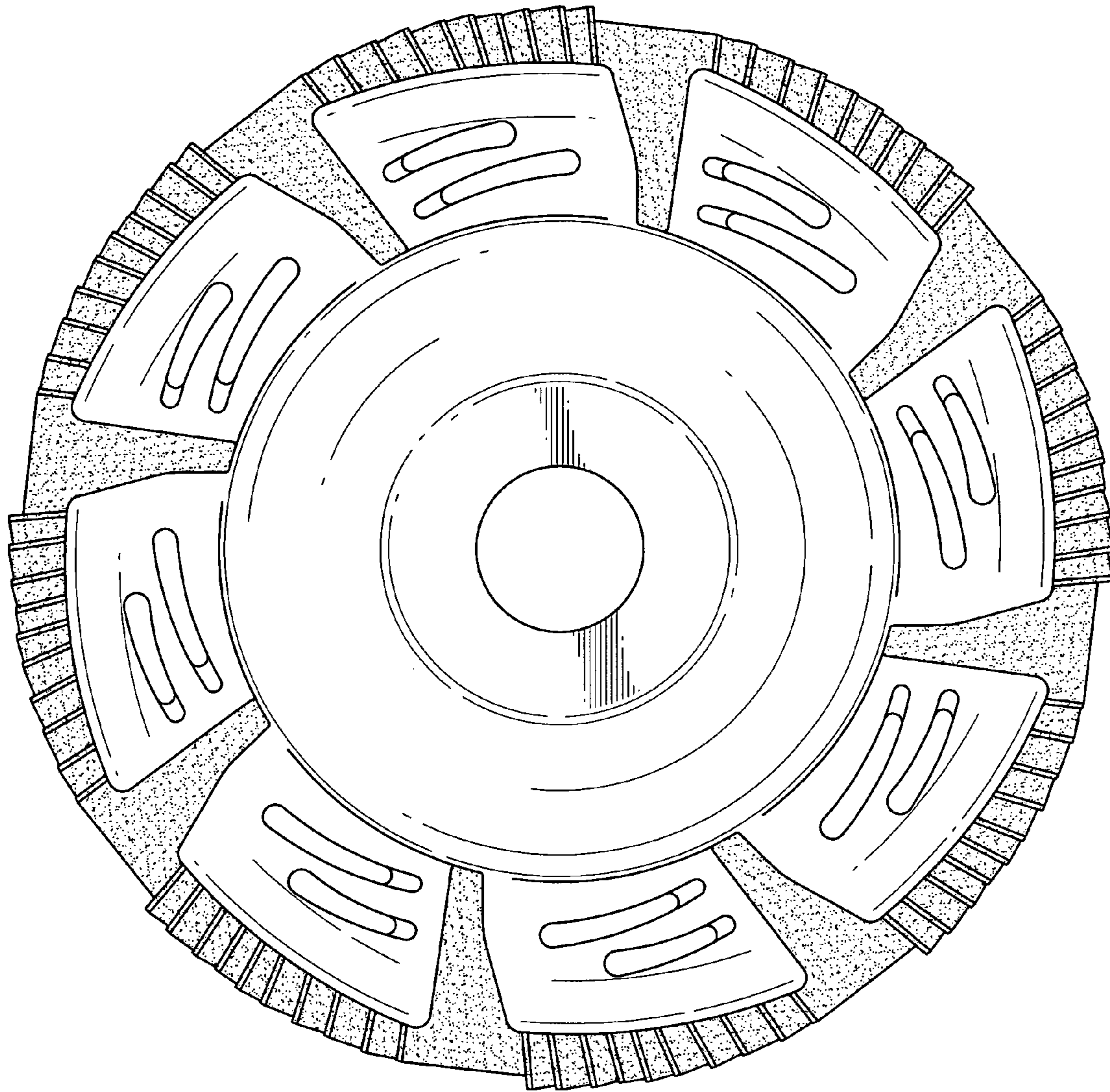


FIG.4

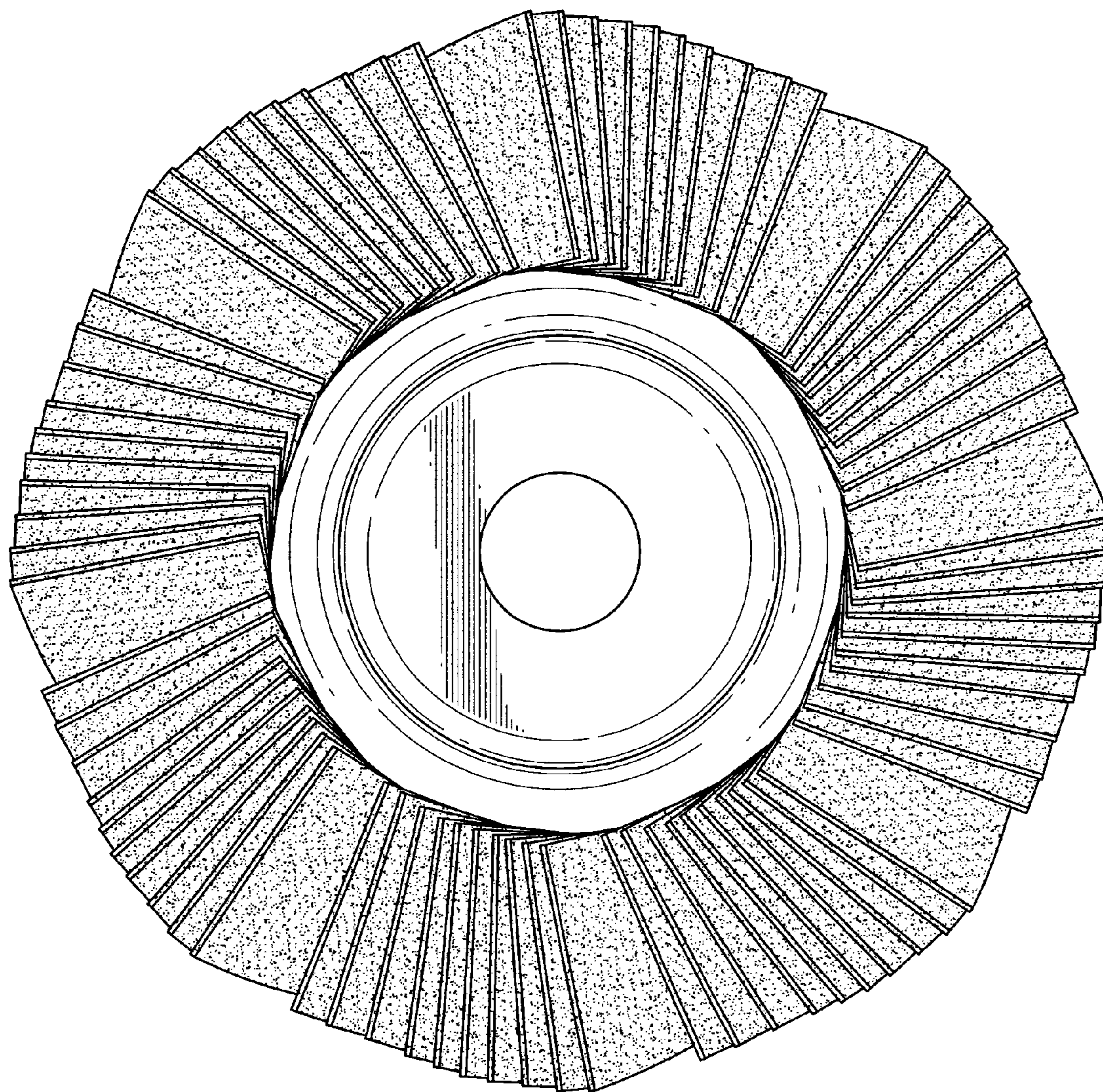


FIG.5