



US00D582444S

(12) **United States Design Patent**
Pagel

(10) **Patent No.:** **US D582,444 S**
(45) **Date of Patent:** **** Dec. 9, 2008**

(54) **CAN CRUSHER**

(76) Inventor: **Robert Pagel**, 1016 Aurora Ave.,
Waukesha, WI (US) 53186

(**) Term: **14 Years**

(21) Appl. No.: **29/288,948**

(22) Filed: **Jun. 28, 2007**

(51) **LOC (8) Cl.** **15-09**

(52) **U.S. Cl.** **D15/123**

(58) **Field of Classification Search** D15/123;
D32/66, 73; 100/233, 245, 266, 278, 291-294,
100/295, 902

See application file for complete search history.

(56) **References Cited**

U.S. PATENT DOCUMENTS

4,062,283	A *	12/1977	Kaminski	100/218
4,088,072	A	5/1978	Wittmeier		
4,133,261	A *	1/1979	Belfils	100/280
4,345,518	A *	8/1982	Cash et al.	100/98 R
4,403,545	A	9/1983	Toburen		
D279,681	S *	7/1985	Reynolds	D15/123
D282,076	S *	1/1986	Taylor	D15/123
D315,068	S *	3/1991	Miller	D34/19
D316,169	S *	4/1991	Bryan et al.	D32/66
5,584,239	A	12/1996	Yelczyn		
D386,503	S	11/1997	Emerson		
5,692,436	A	12/1997	Pishioneri		

5,775,213	A	7/1998	Hyde		
5,848,569	A	12/1998	Maki		
D413,699	S *	9/1999	Evans	D32/37
6,923,114	B2	8/2005	Koch		

* cited by examiner

Primary Examiner—Sandra Snapp
Assistant Examiner—Patricia Palasik

(57) **CLAIM**

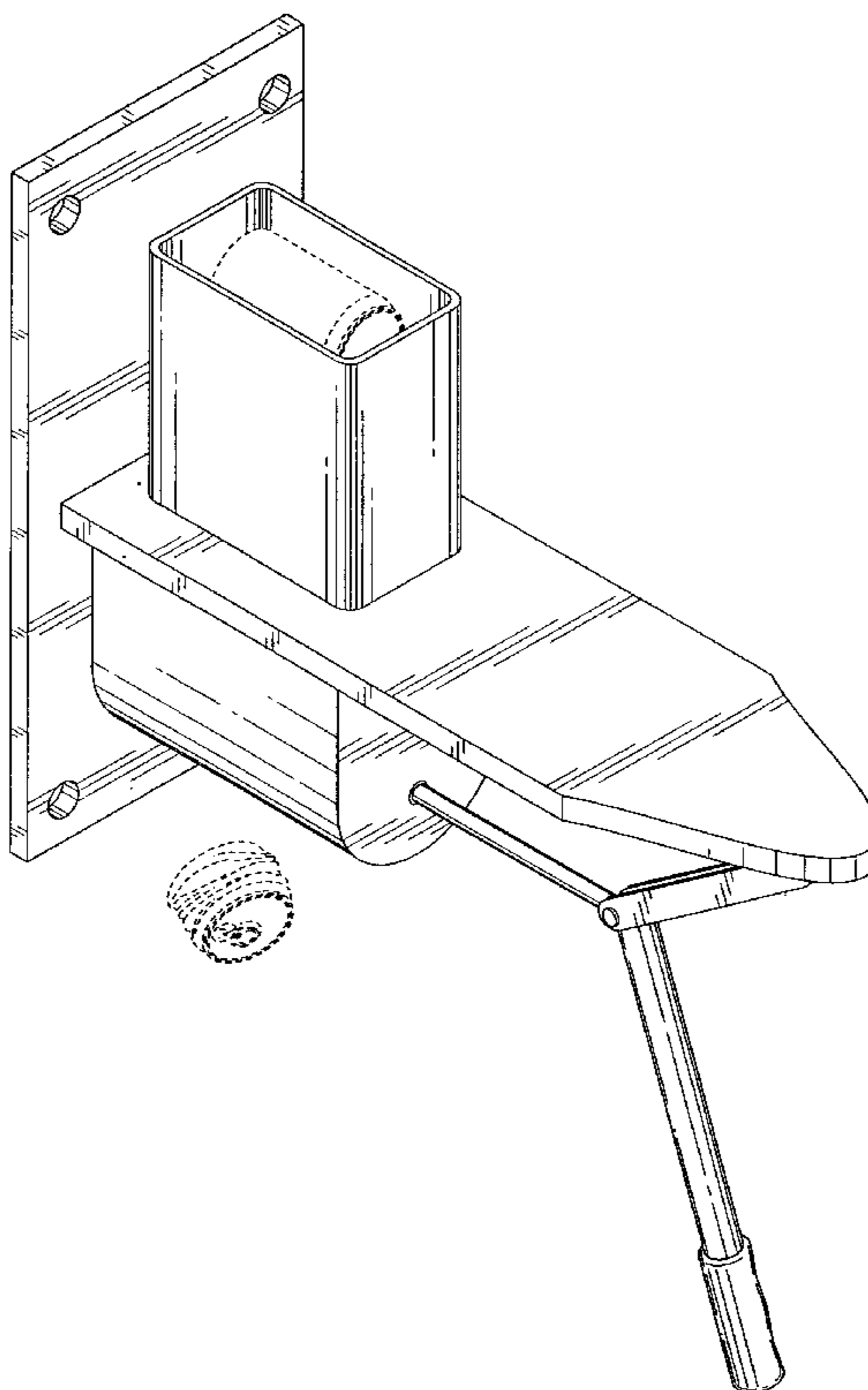
The ornamental design for a can crusher, as shown and described.

DESCRIPTION

FIG. 1 is a perspective view of a can crusher;
FIG. 2 is a perspective view of thereof;
FIG. 3 is a left side view thereof: the opposite side being a mirror image thereof;
FIG. 4 is a top plan view thereof;
FIG. 5 is a bottom plan view thereof;
FIG. 6 is a front elevational view thereof; and,
FIG. 7 is a rear elevational view thereof.

The broken line showing of screw heads and cans in FIG. 1 and portions of the can crusher in FIGS. 4 and 5 is included for the purpose of illustrating portions of the can crusher and form no part of the claimed design.

1 Claim, 4 Drawing Sheets



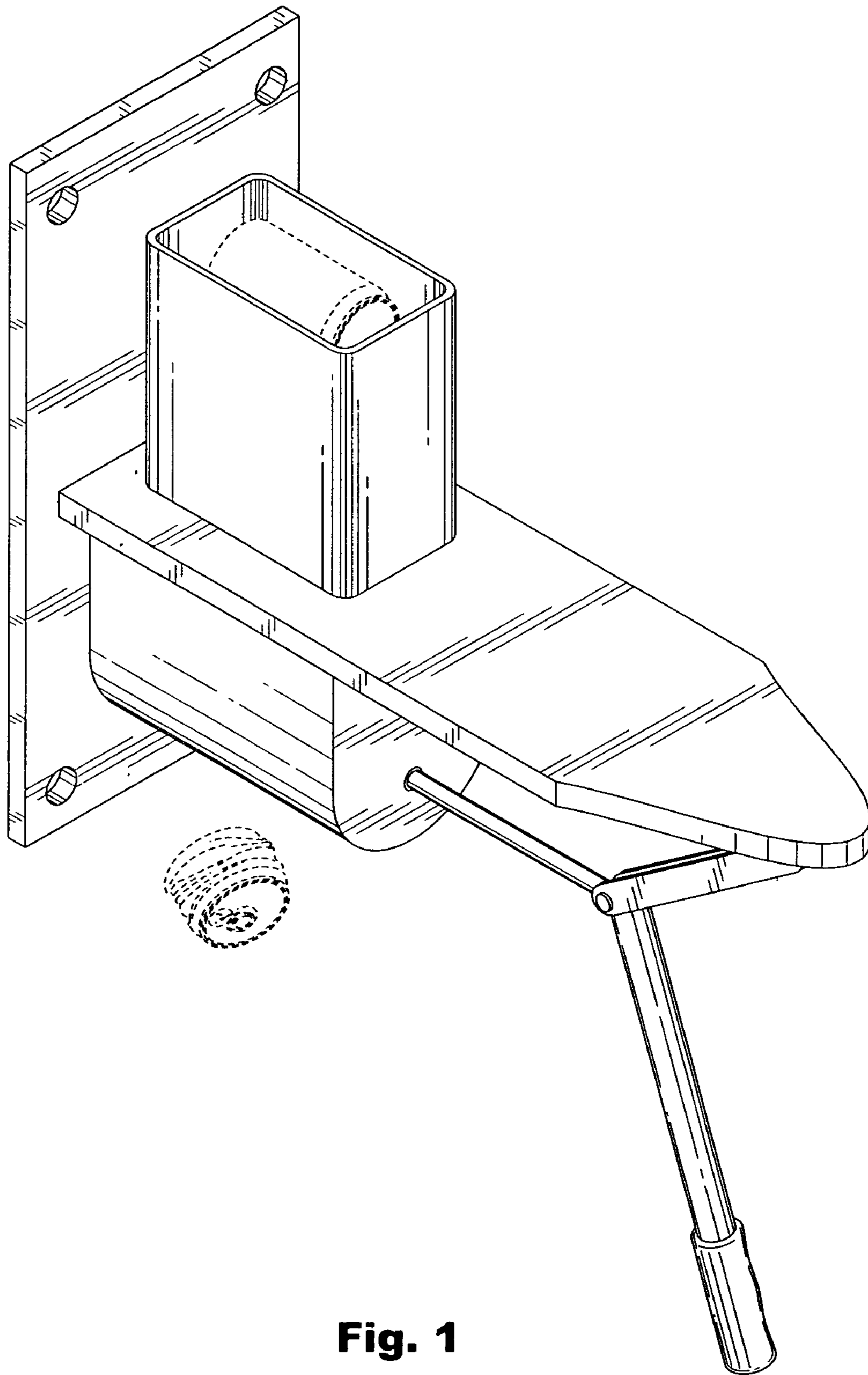


Fig. 1

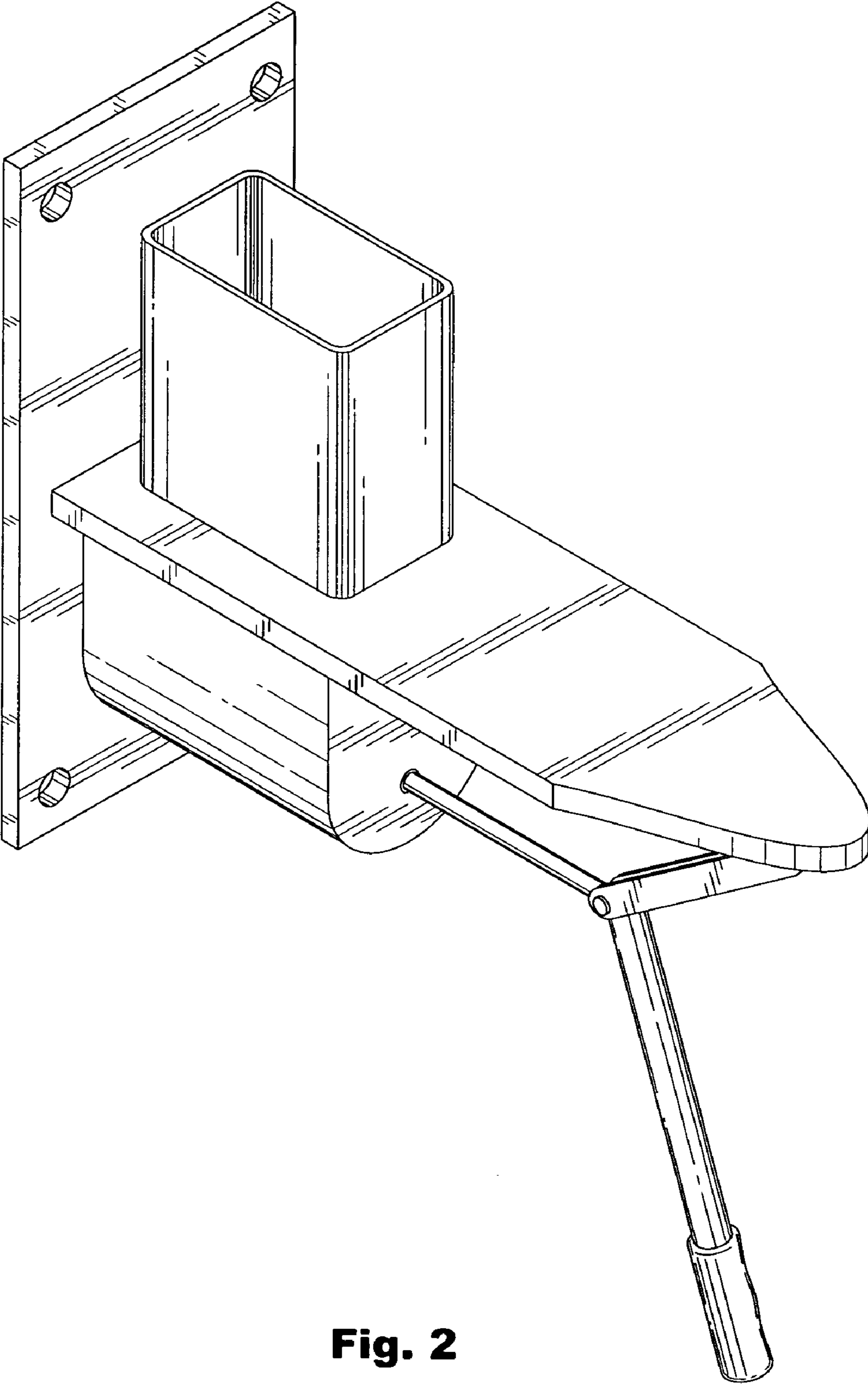


Fig. 2

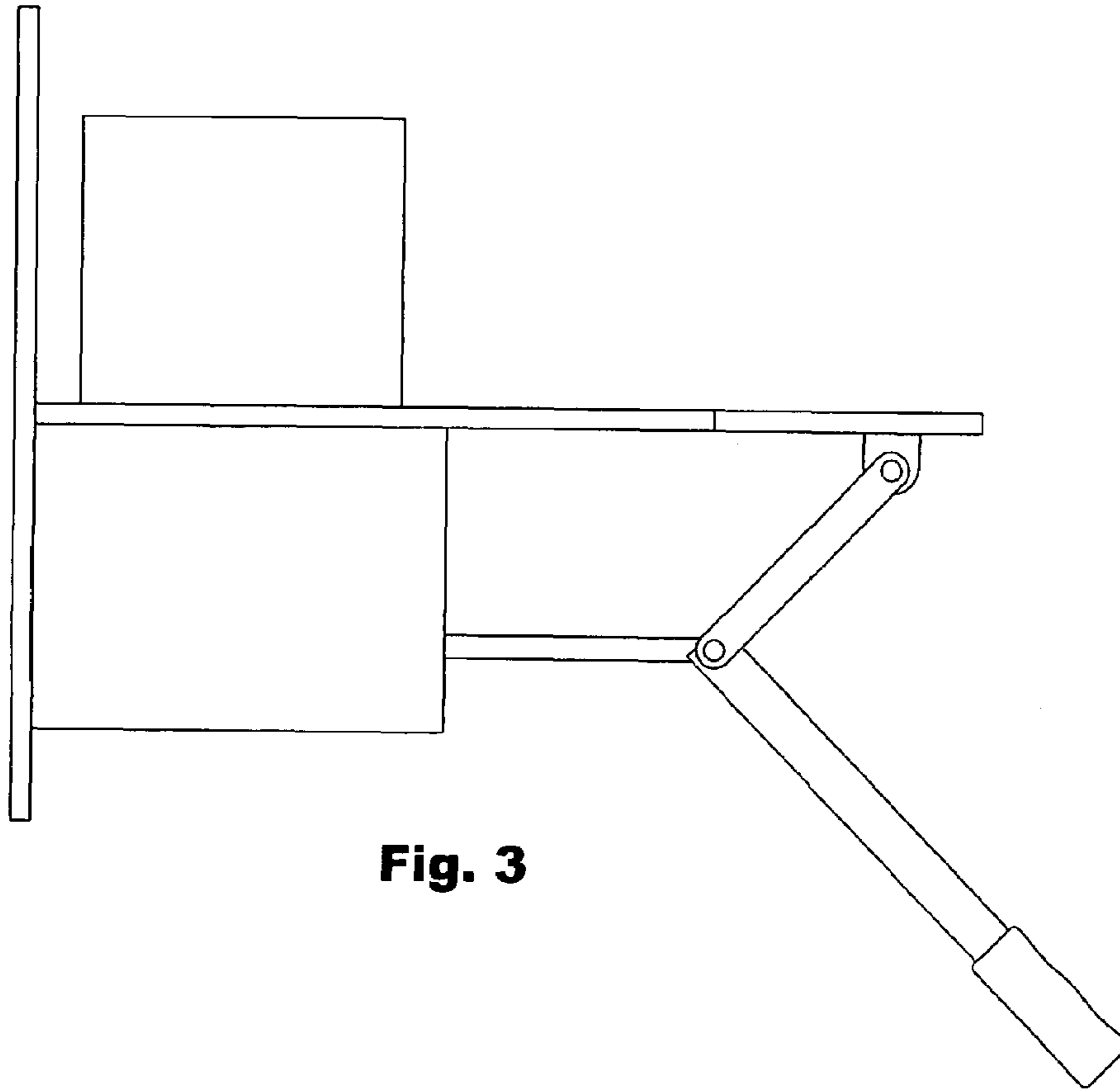


Fig. 3

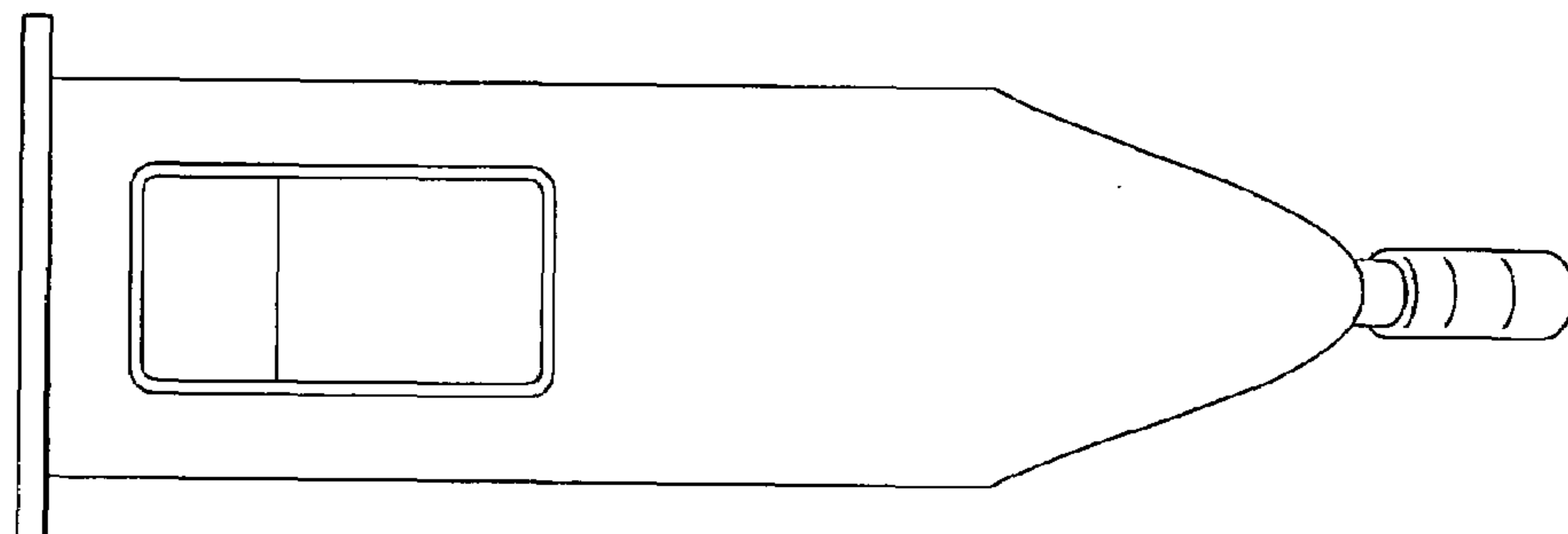


Fig. 4

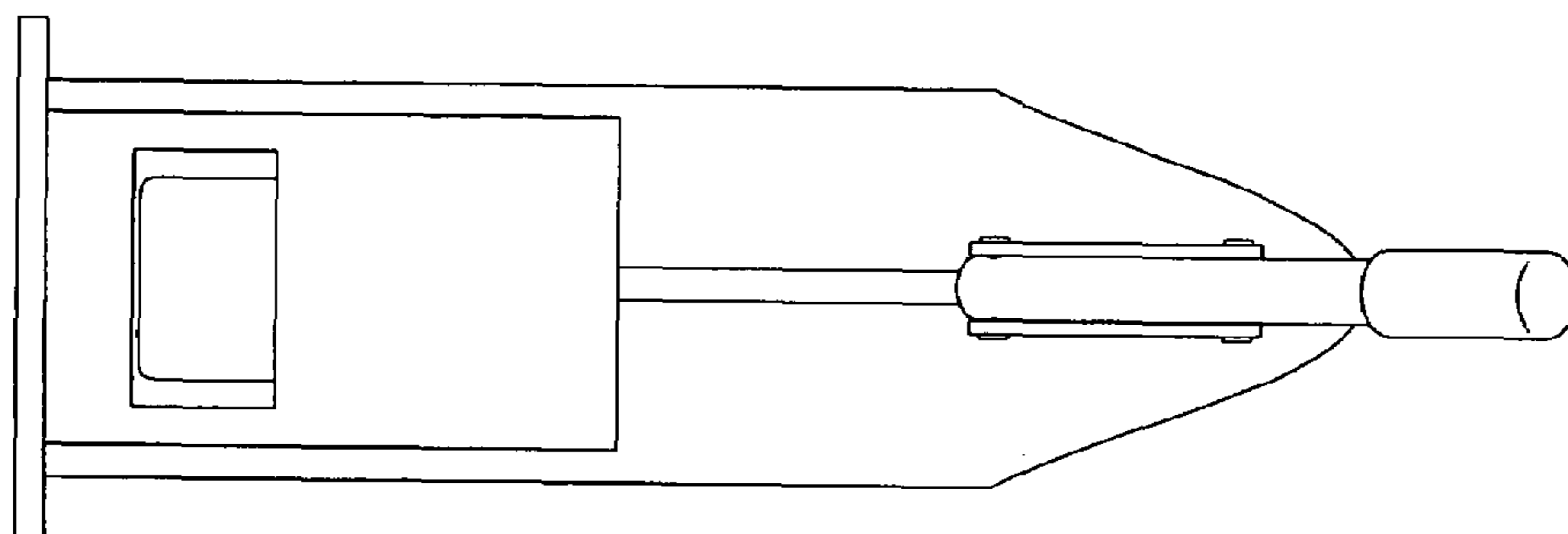


Fig. 5

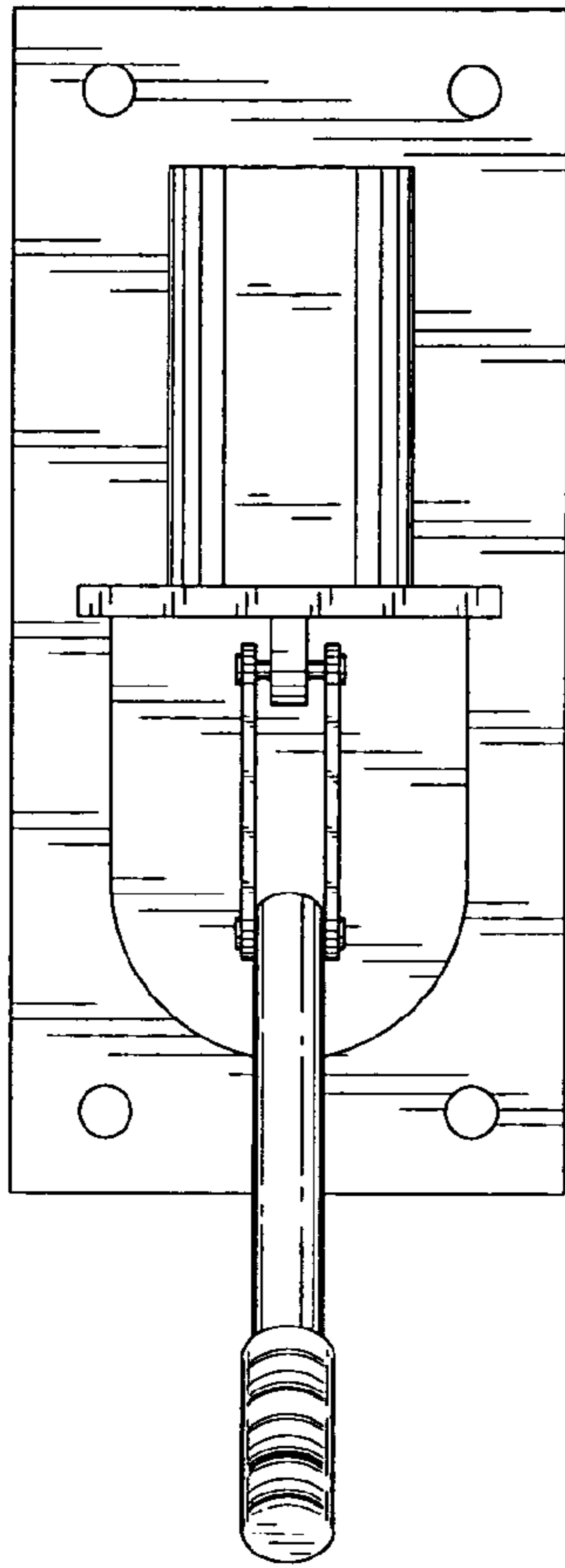


Fig. 6

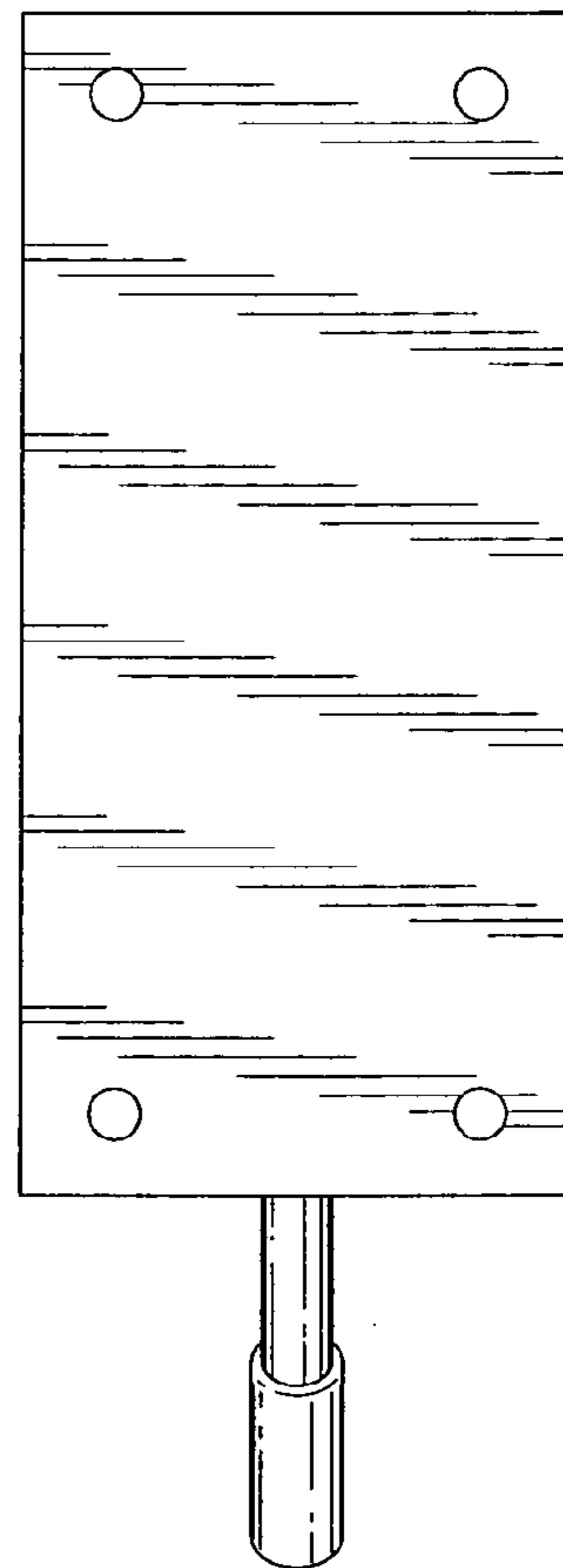


Fig. 7