



US00D582443S

(12) **United States Design Patent**  
**Kim et al.**

(10) **Patent No.:** **US D582,443 S**  
(45) **Date of Patent:** **\*\* Dec. 9, 2008**

(54) **DISPENSER FOR REFRIGERATOR**

(75) Inventors: **Jeong-Min Kim**, Seoul (KR); **Yun-Ho Yang**, Seoul (KR)

(73) Assignee: **Samsung Electronics Co., Ltd.**,  
Kyunggi-do (KR)

(\*\*) Term: **14 Years**

(21) Appl. No.: **29/301,697**

(22) Filed: **Mar. 13, 2008**

(51) **LOC (8) Cl.** ..... **15-07**

(52) **U.S. Cl.** ..... **D15/89**

(58) **Field of Classification Search** ..... D15/79-81,  
D15/85, 89, 91; 62/3.1, 3.6, 3.63, 3.64, 45.1,  
62/98, 126, 236, 275, 293, 331, 352, 371,  
62/389; 312/116, 236, 352, 400-406; 222/108  
See application file for complete search history.

(56) **References Cited**

**U.S. PATENT DOCUMENTS**

5,033,273	A *	7/1991	Buchser et al.	.....	62/344
5,269,154	A *	12/1993	Schmidt	.....	62/275
D365,579	S *	12/1995	Baker et al.	.....	D15/89
5,474,213	A *	12/1995	Unger	.....	222/108
D367,659	S *	3/1996	Baker et al.	.....	D15/89
6,651,449	B2 *	11/2003	Heims et al.	.....	62/98
D511,534	S *	11/2005	Ertz et al.	.....	D15/89

D514,139	S *	1/2006	Ertz et al.	.....	D15/89
D518,076	S *	3/2006	Quinlan et al.	.....	D15/89
D523,878	S *	6/2006	Quinlan et al.	.....	D15/89
D555,179	S	11/2007	Jeon et al.		
D568,911	S *	5/2008	Jeon et al.	.....	D15/89
D568,913	S *	5/2008	Suh et al.	.....	D15/89
D569,399	S *	5/2008	Crookshanks et al.	.....	D15/89

\* cited by examiner

*Primary Examiner*—Stella M Reid

*Assistant Examiner*—Shanda C Hill

(74) *Attorney, Agent, or Firm*—Flynn, Thiel, Boutell & Tanis,  
P.C.

(57) **CLAIM**

The ornamental design for a a dispenser for refrigerator, as shown and described.

**DESCRIPTION**

FIG. 1 is a top front perspective view of a a dispenser for refrigerator showing our new design;

FIG. 2 is a front elevational view thereof;

FIG. 3 is a rear elevational view thereof;

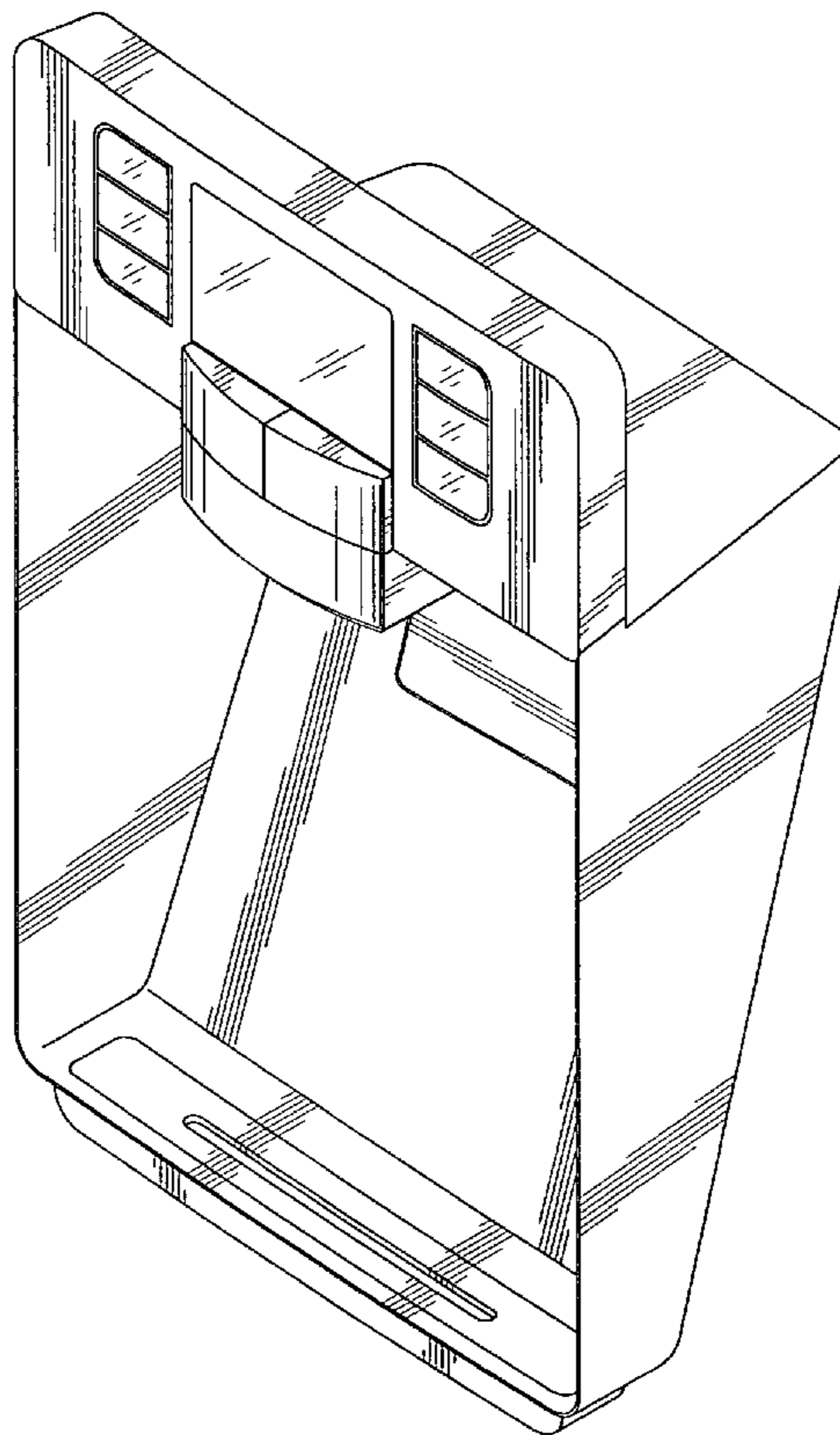
FIG. 4 is a left side elevational view thereof;

FIG. 5 is a right side elevational view thereof;

FIG. 6 is a top plan view thereof; and,

FIG. 7 is a bottom plan view thereof.

**1 Claim, 5 Drawing Sheets**



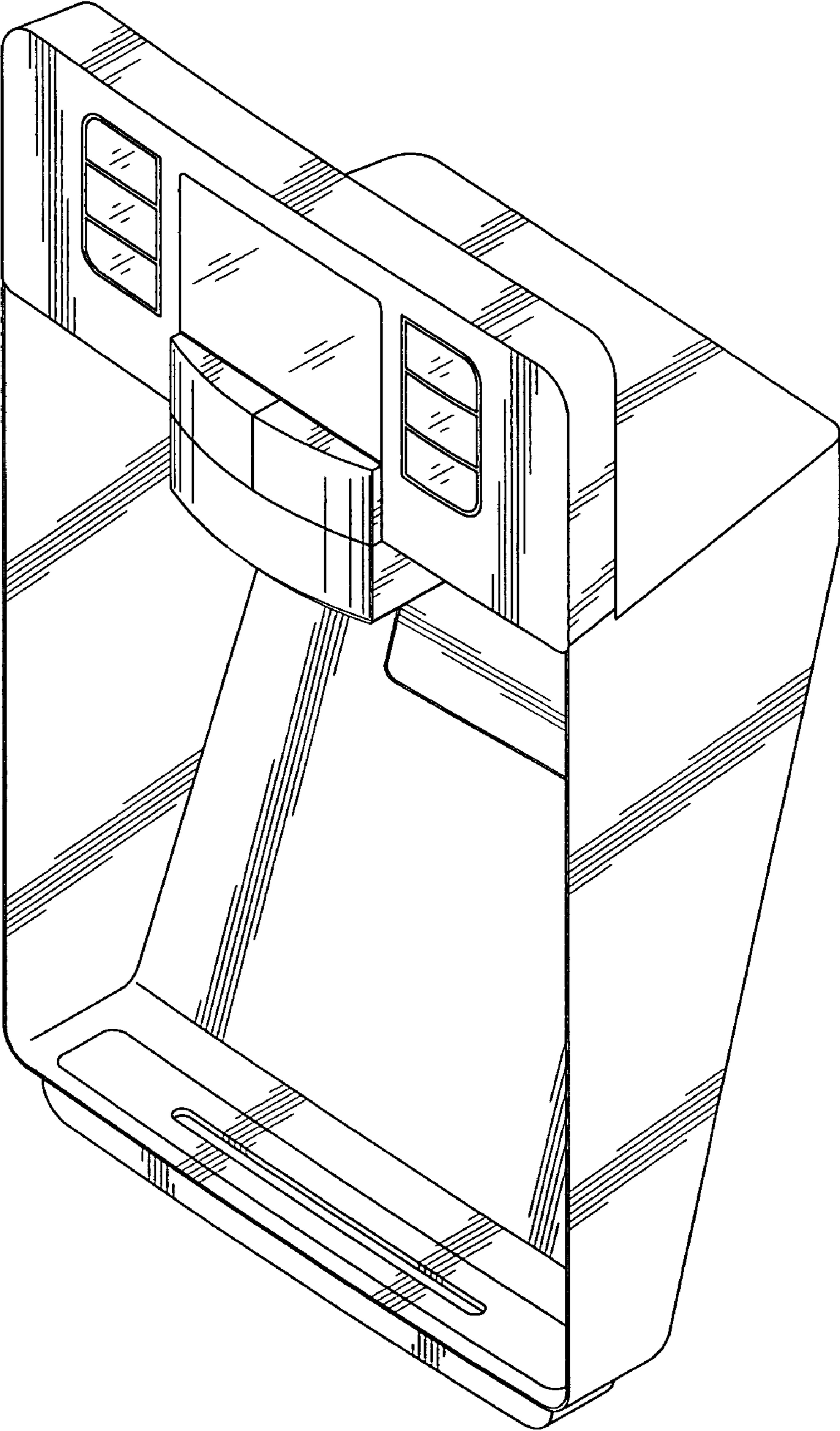


FIG. 1

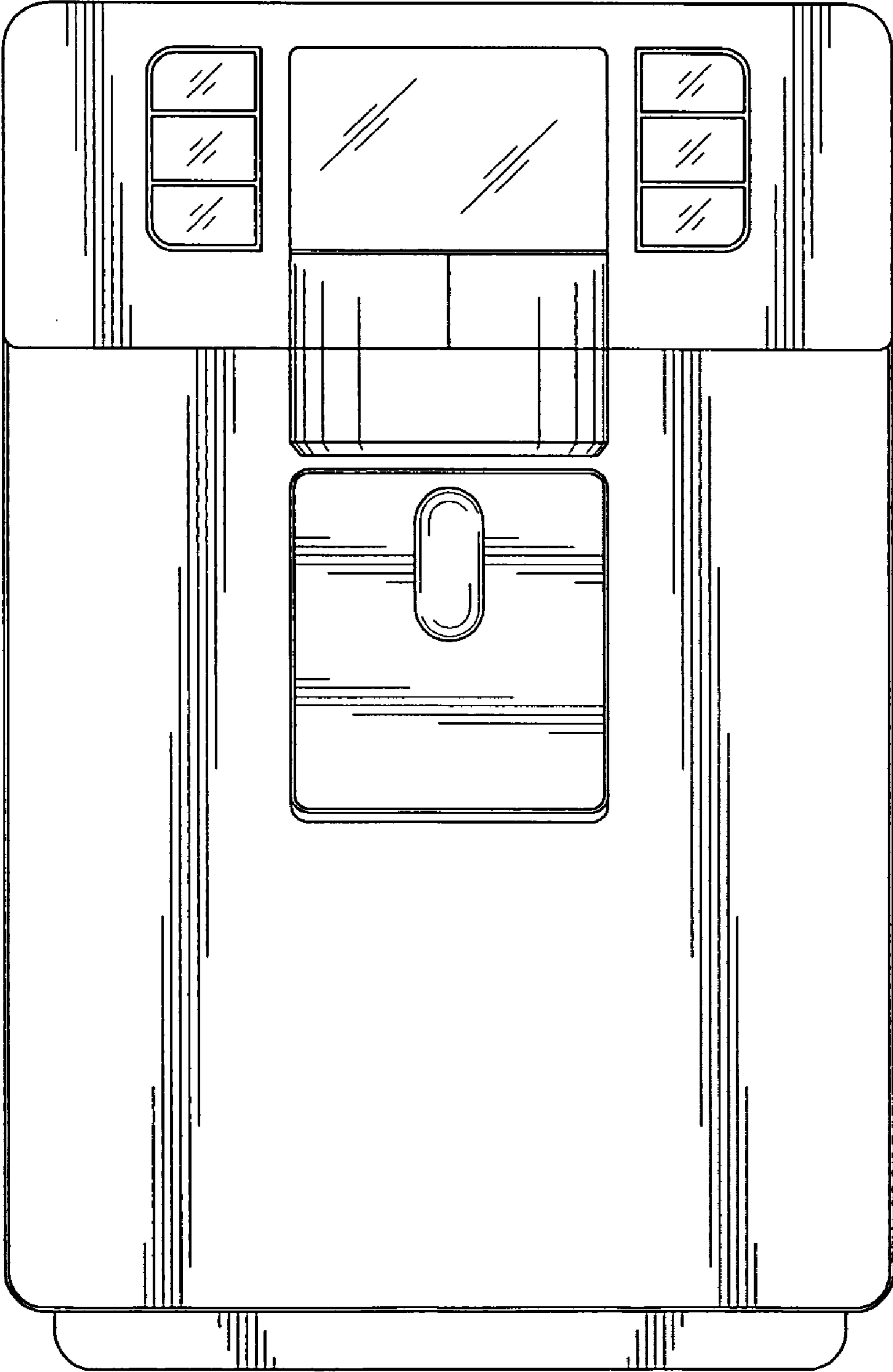


FIG. 2

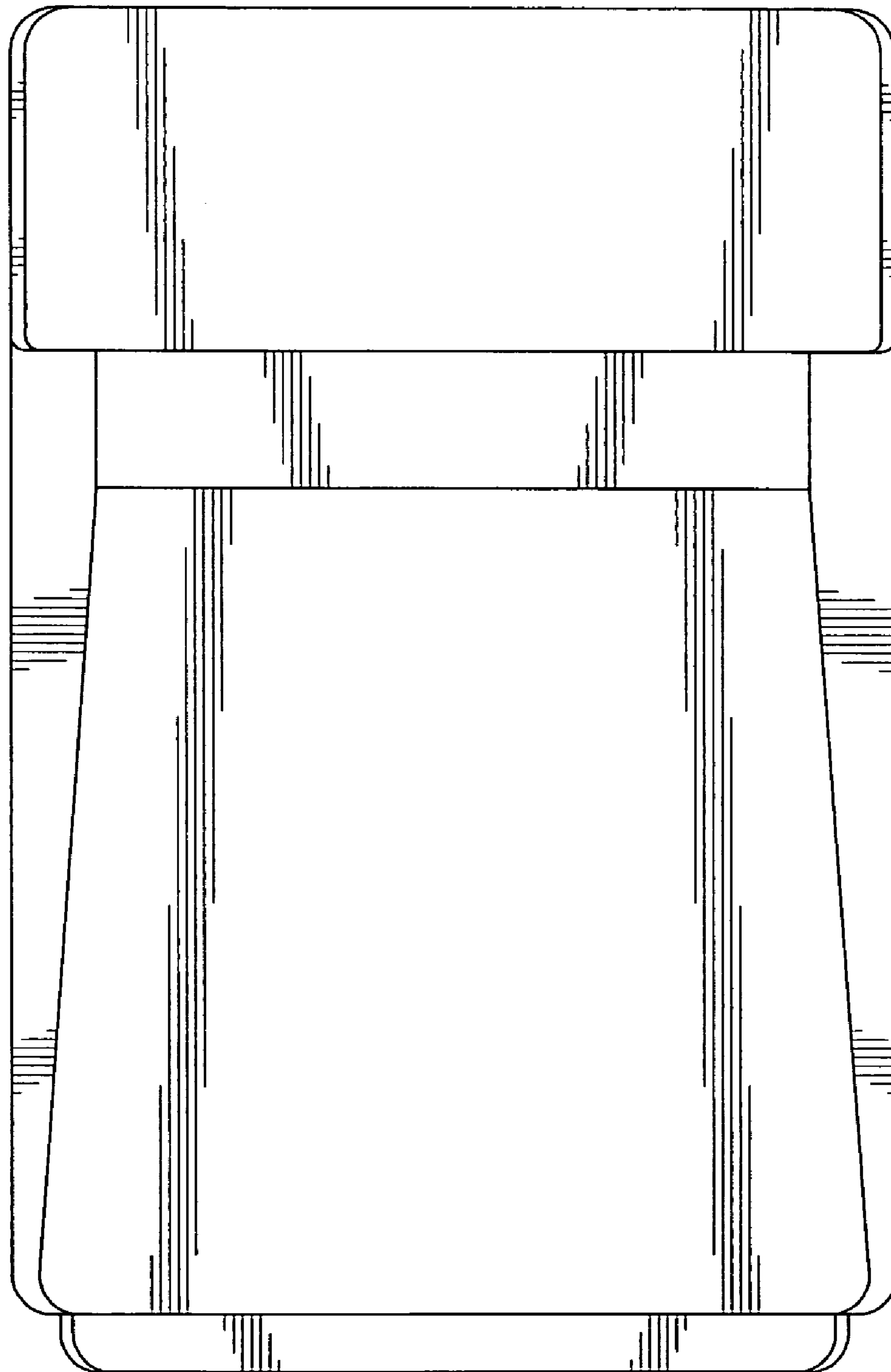


FIG. 3

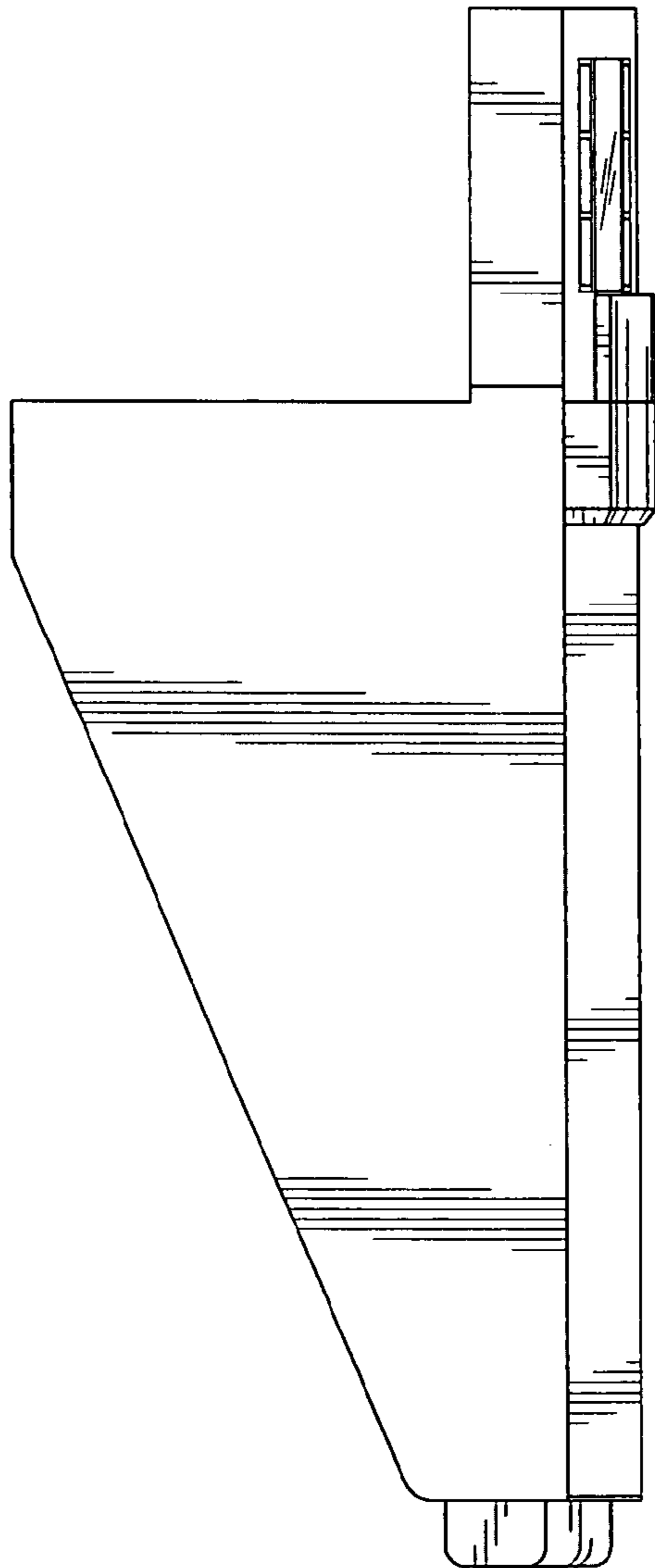


FIG. 4

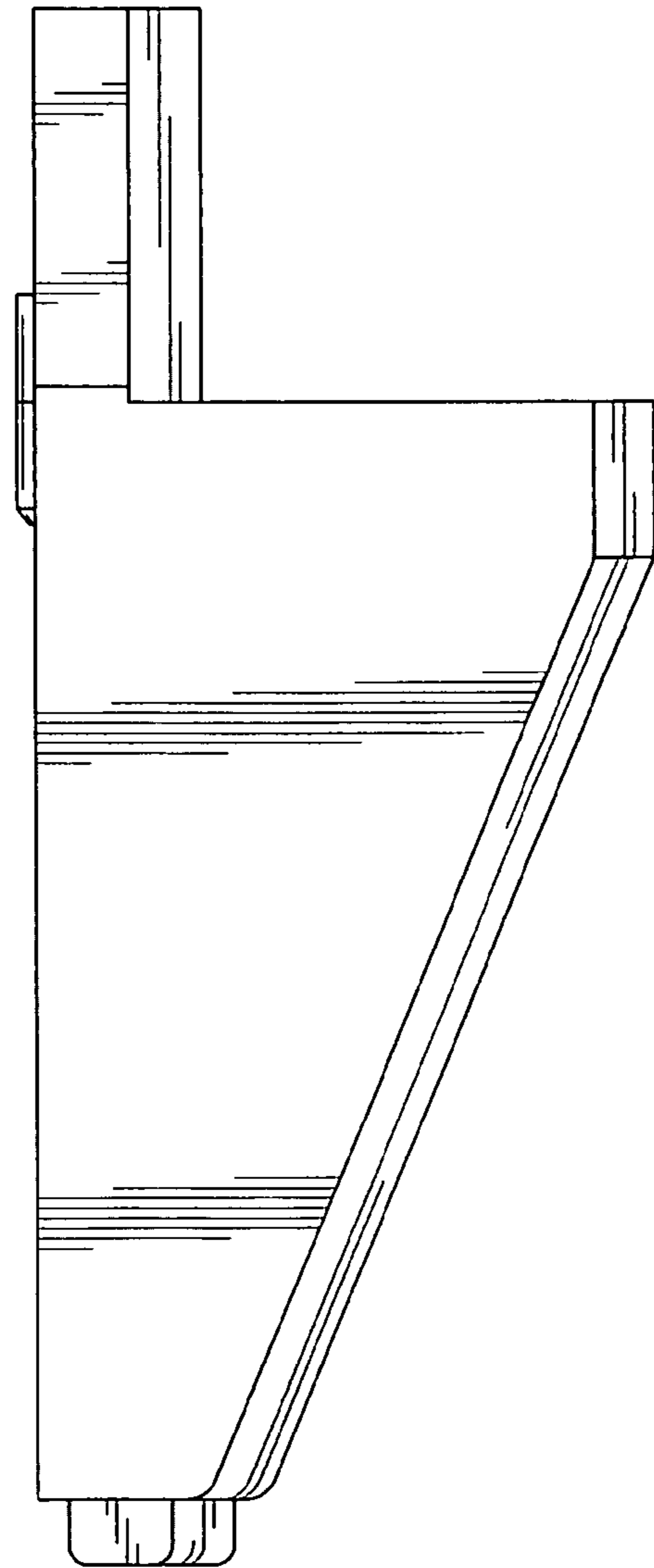


FIG. 5

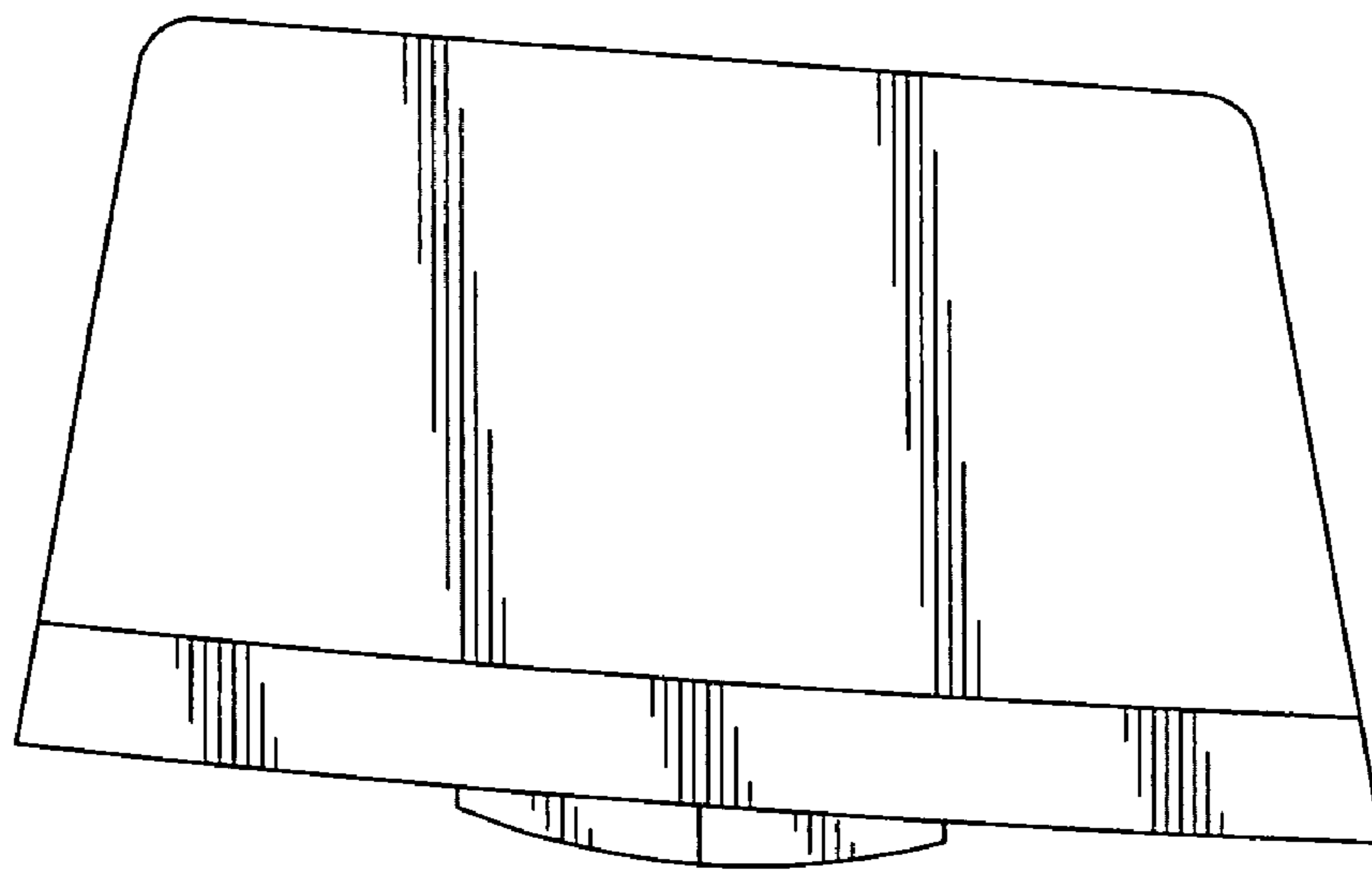


FIG. 6

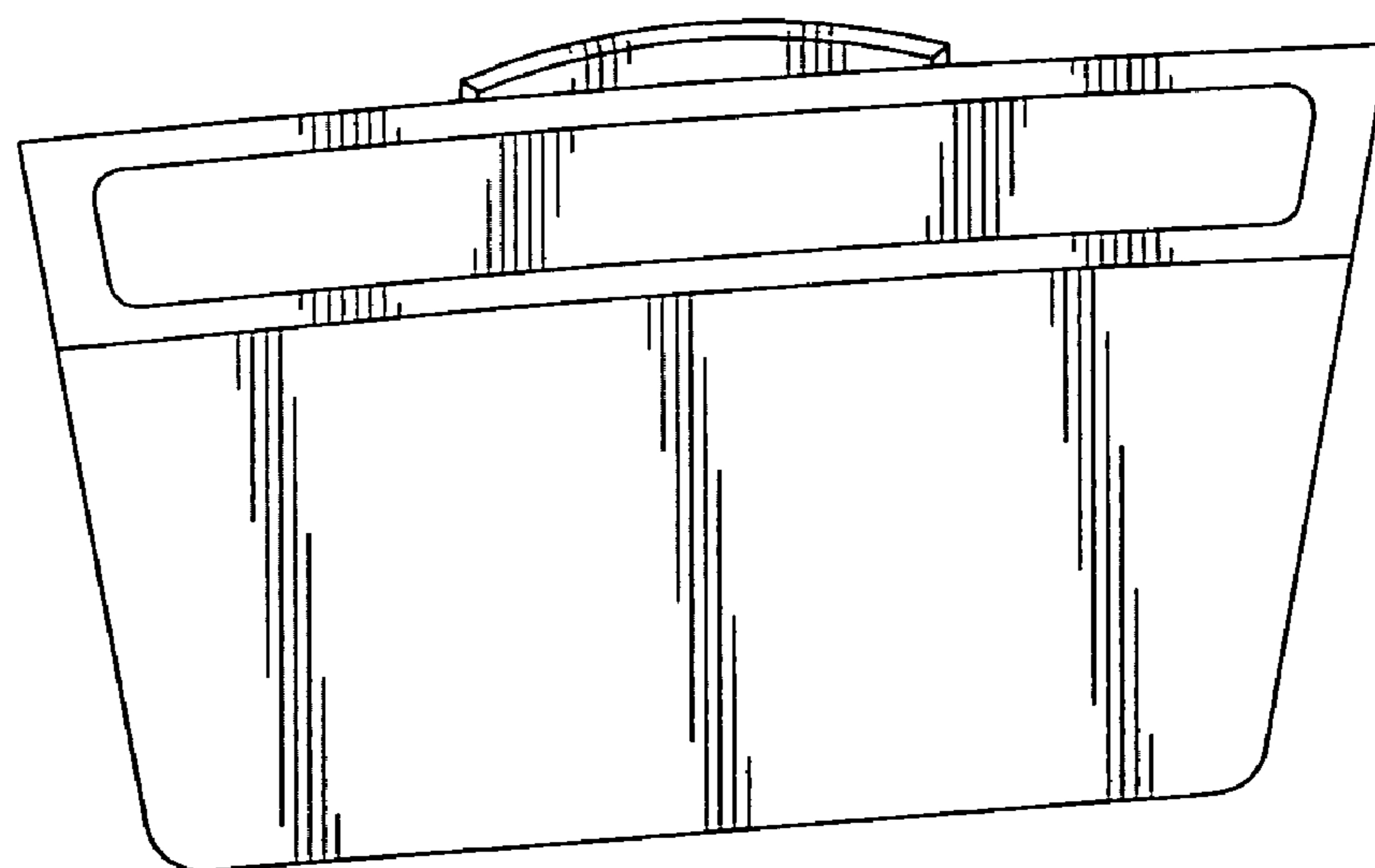


FIG. 7