



US00D582439S

(12) **United States Design Patent**
Shimomura et al.

(10) **Patent No.:** **US D582,439 S**
(45) **Date of Patent:** **** Dec. 9, 2008**

(54) **SEAL FOR A ROTARY SHAFT**

6,305,693 B1 * 10/2001 Wehrle 277/377
D570,374 S * 6/2008 Hideki et al. D15/7
D570,375 S * 6/2008 Hideki et al. D15/7

(75) Inventors: **Takao Shimomura**, Tokyo (JP); **Hideki Tomoto**, Tokyo (JP); **Masamitsu Sanada**, Tokyo (JP)

* cited by examiner

(73) Assignee: **Eagle Industry Co., Ltd.** (JP)

Primary Examiner—Lisa P Lichtenstein
(74) *Attorney, Agent, or Firm*—Hayes Soloway P.C.

(**) Term: **14 Years**

(57) **CLAIM**

(21) Appl. No.: **29/302,868**

The ornamental design for a seal for a rotary shaft, as shown and described.

(22) Filed: **Jan. 25, 2008**

(30) **Foreign Application Priority Data**

DESCRIPTION

Oct. 15, 2007 (JP) 2007-028130

FIG. 1 is a perspective view of a seal for a rotary shaft showing our design;

(51) **LOC (8) Cl.** **15-02**

FIG. 2 is a side elevational view thereof, the view from all sides being identical;

(52) **U.S. Cl.** **D15/7**

(58) **Field of Classification Search** D15/7-9;
D23/231; 417/321, 405, 265; 277/431, 377,
277/575, 908, 347

FIG. 3 is a front elevational view thereof; and,

FIG. 4 is a rear elevational view thereof.

See application file for complete search history.

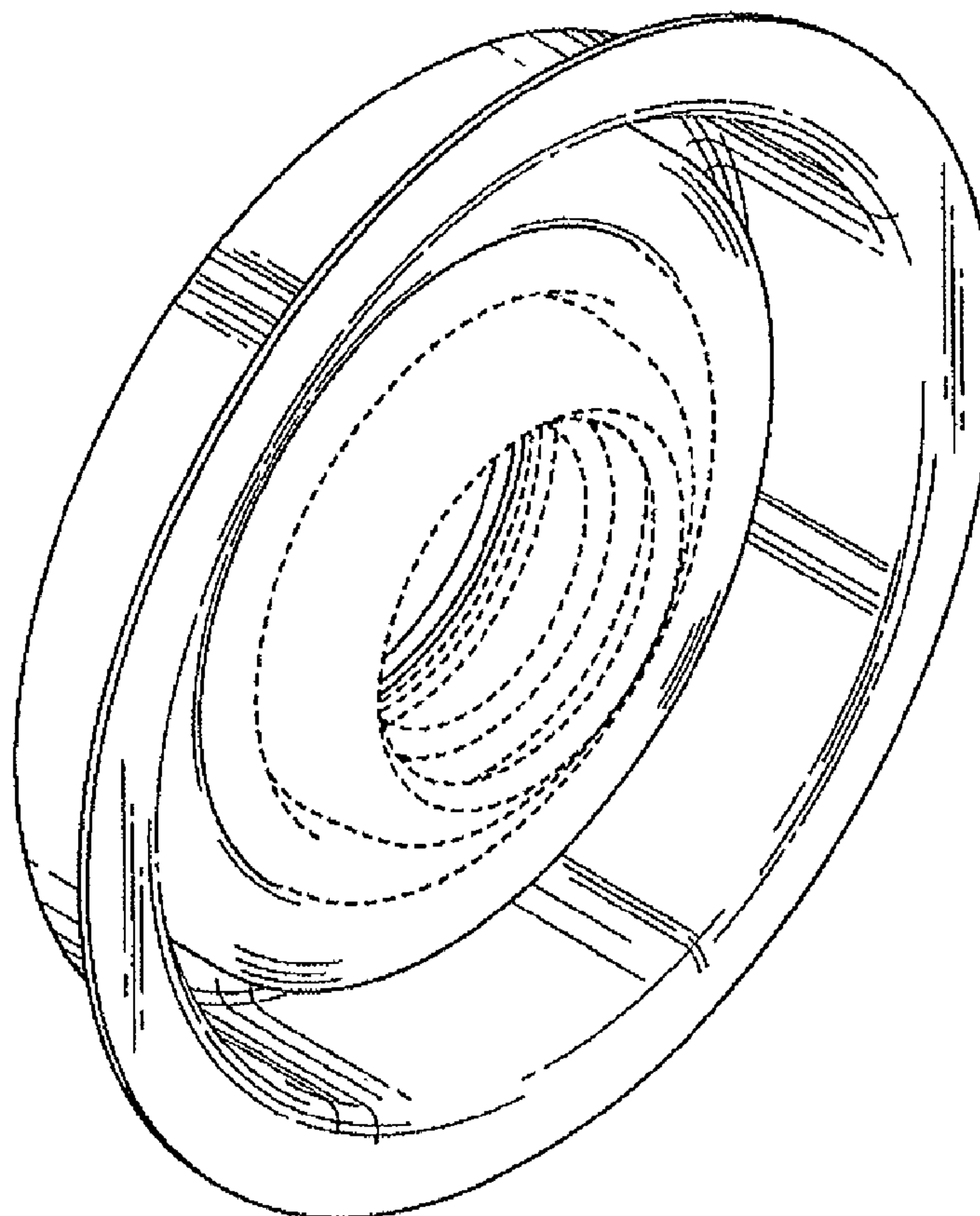
The broken line showing of the interior hubs of the seals is included for the purpose of illustrating environmental structure and forms no part of the claimed design.

(56) **References Cited**

U.S. PATENT DOCUMENTS

3,601,418 A * 8/1971 Kosatka 277/575

1 Claim, 4 Drawing Sheets



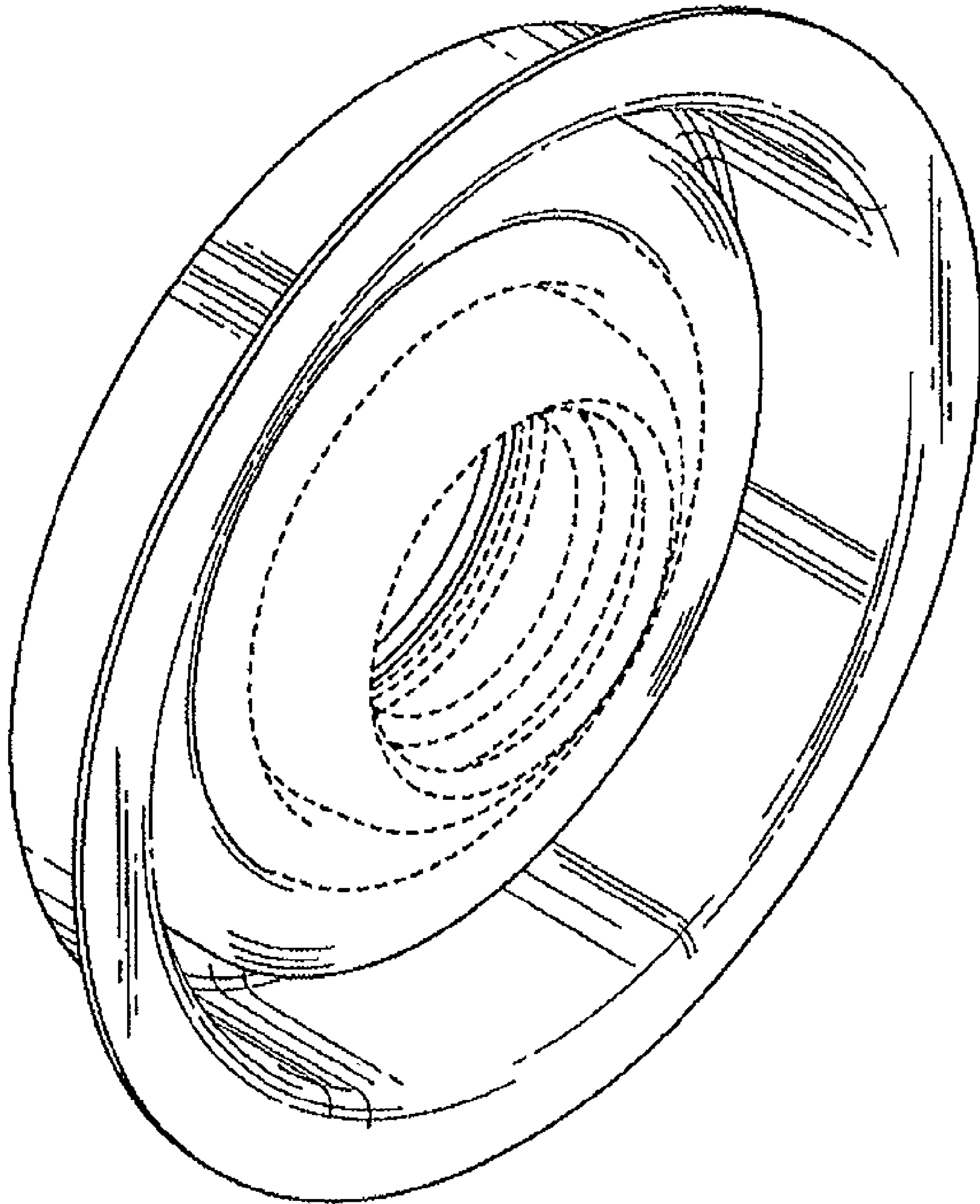


FIG. 1



FIG. 2

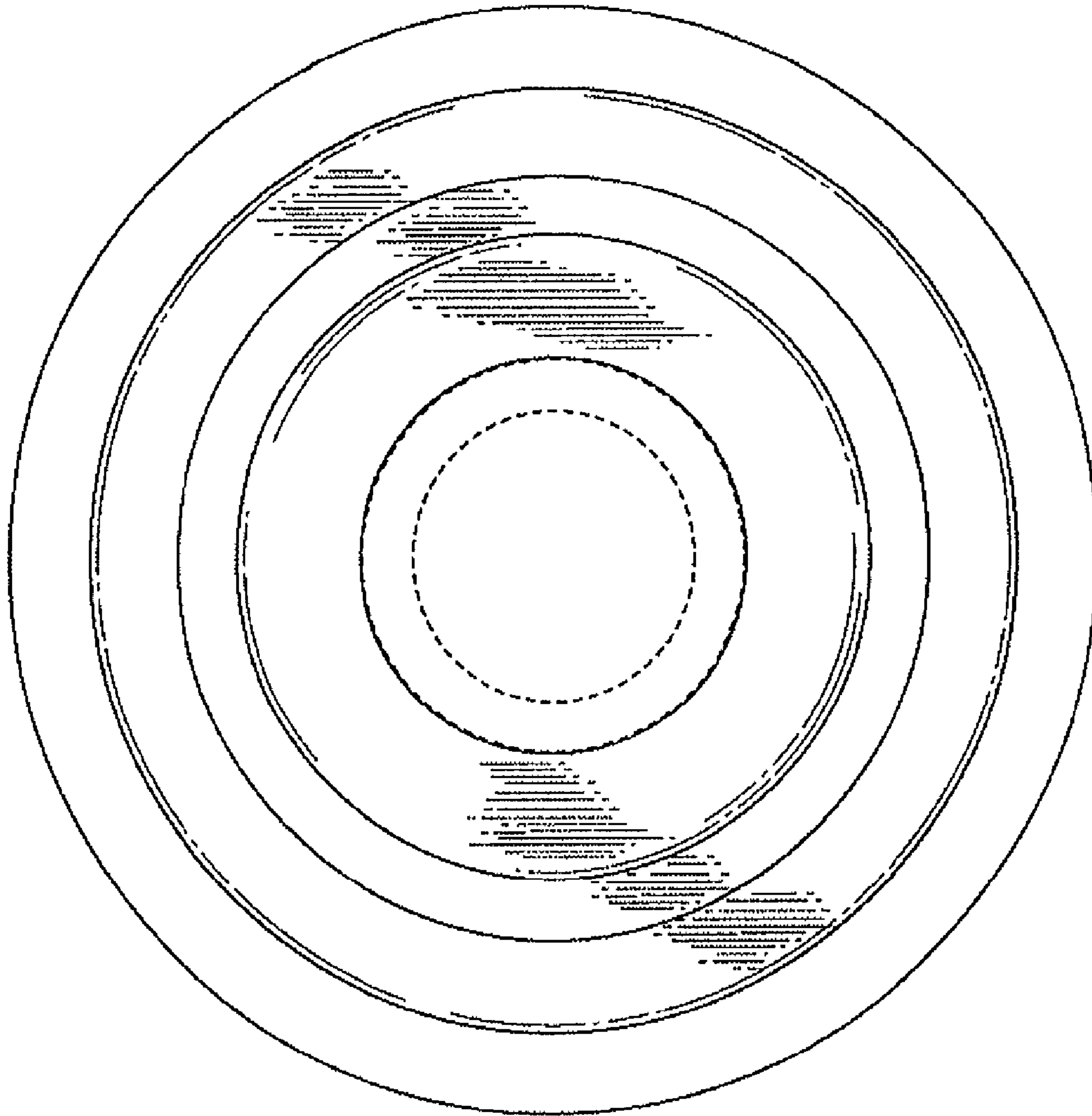


FIG. 3

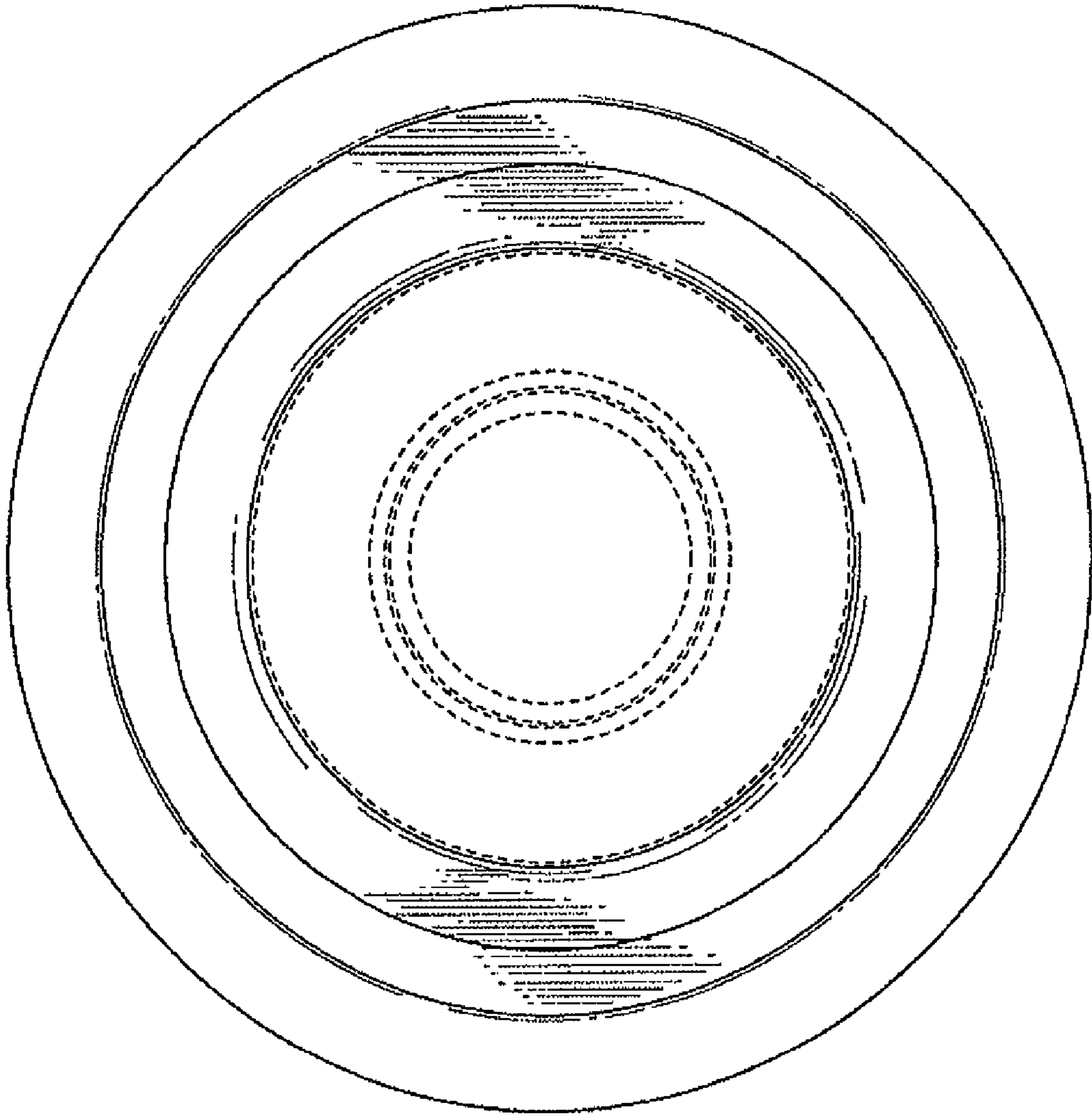


FIG. 4