



US00D582434S

(12) **United States Design Patent**  
**Turgut**

(10) **Patent No.:** **US D582,434 S**

(45) **Date of Patent:** **\*\* Dec. 9, 2008**

(54) **FUEL PUMP**

D541,817 S \* 5/2007 Puls ..... D15/7

D543,217 S \* 5/2007 Puls ..... D15/7

(75) Inventor: **Mustafa Turgut**, Istanbul (TR)

(73) Assignee: **Superpar Otomotiv Sanayi ve Ticaret Anonim Sirketi**, Izmir (TR)

\* cited by examiner

(\*\*) Term: **14 Years**

*Primary Examiner*—R. Seifert

(74) *Attorney, Agent, or Firm*—Egbert Law Offices

(21) Appl. No.: **29/275,736**

(57) **CLAIM**

(22) Filed: **Jan. 4, 2007**

I claim the ornamental design for a fuel pump, as shown and described.

(51) **LOC (8) Cl.** ..... **15-02**

(52) **U.S. Cl.** ..... **D15/7**

(58) **Field of Classification Search** ..... D15/7-9;  
D23/231, 232, 225; 417/410.1, 359, 415-416,  
417/234, 321, 265, 405

**DESCRIPTION**

See application file for complete search history.

FIG. 1 is an upper perspective view of the fuel pump showing my design; and,

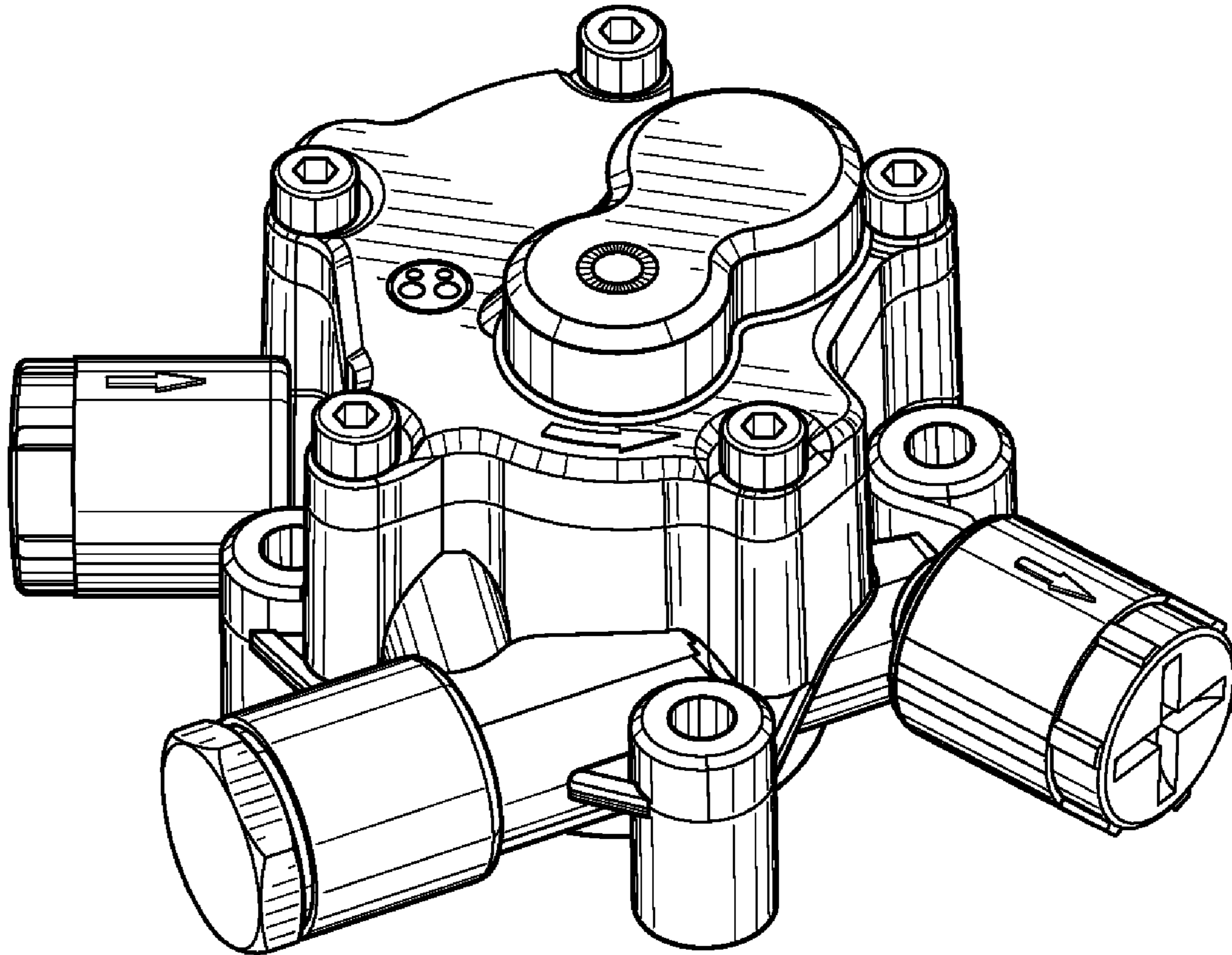
FIG. 2 is a bottom view thereof.

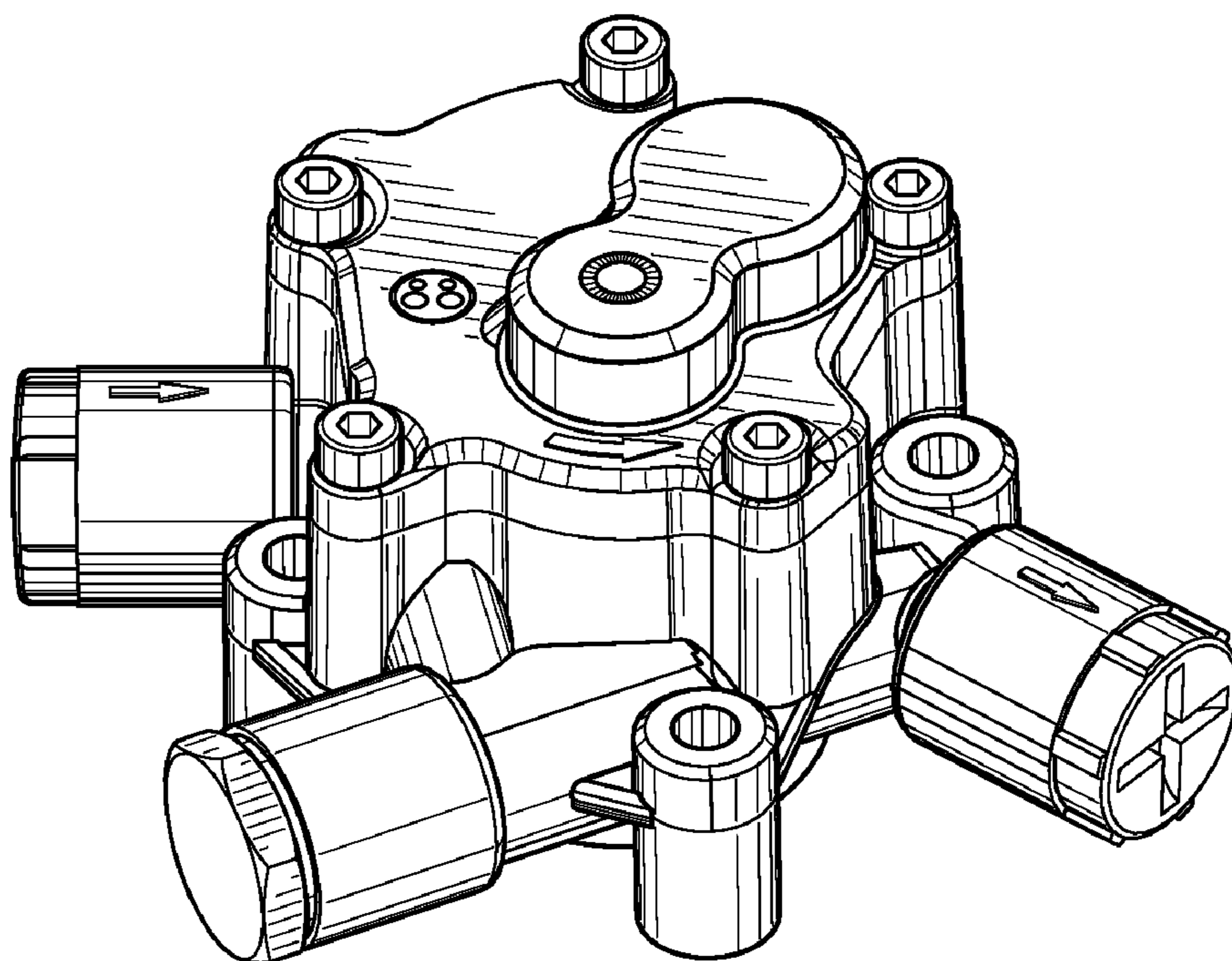
(56) **References Cited**

**U.S. PATENT DOCUMENTS**

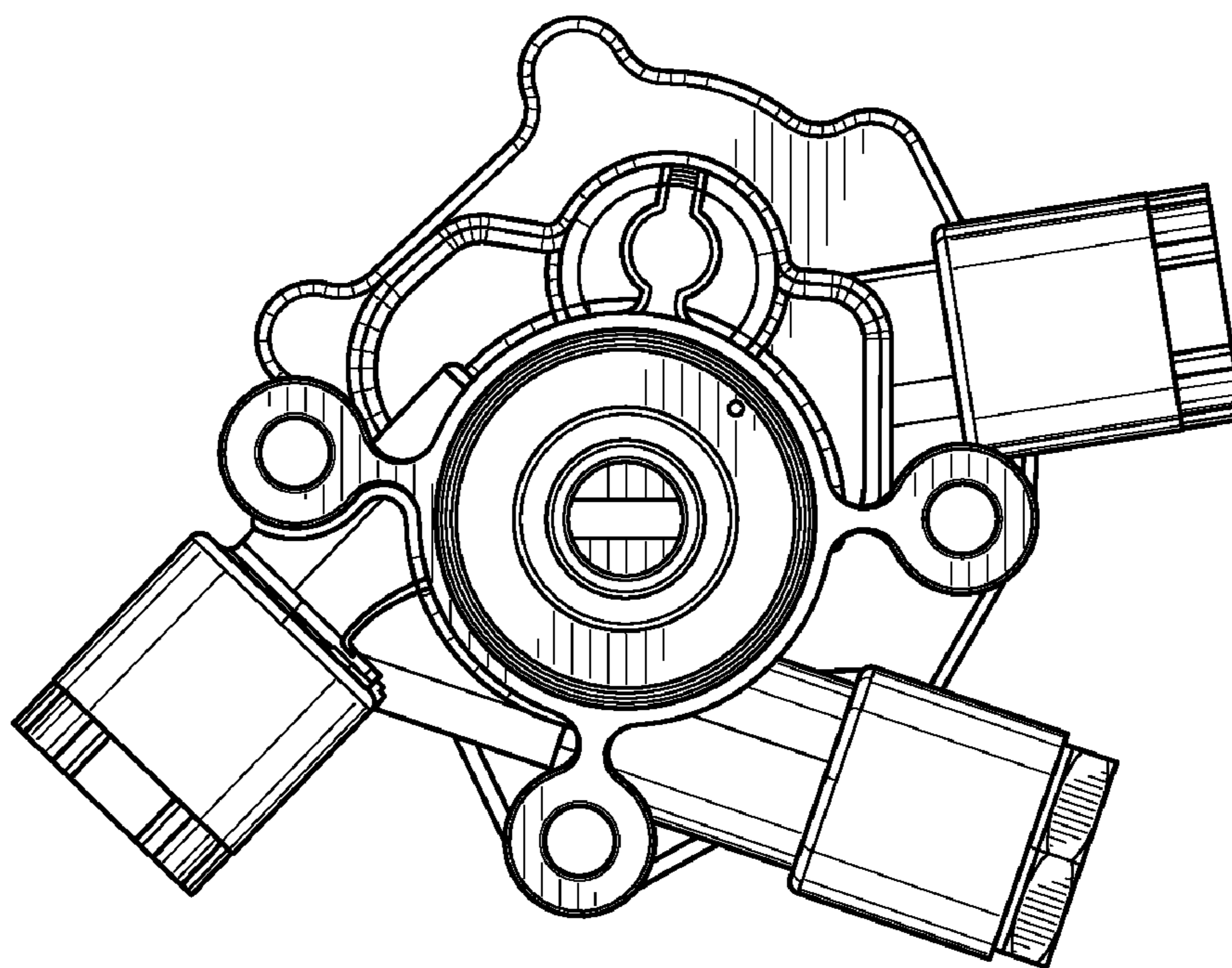
D424,998 S \* 5/2000 Goebles et al. .... D12/180

**1 Claim, 1 Drawing Sheet**





*FIG. 1*



*FIG. 2*