



US00D582433S

(12) **United States Design Patent**
Rosenbaum

(10) **Patent No.:** **US D582,433 S**
(45) **Date of Patent:** **** Dec. 9, 2008**

(54) **LOW PROFILE CARBURETOR HAT**

D555,172 S 11/2007 Craft
D563,303 S 3/2008 Hatter et al.

(76) Inventor: **Amire Rosenbaum**, 1720 S. Carlos Ave., Ontario, CA (US) 91761

* cited by examiner

(**) Term: **14 Years**

Primary Examiner—Lisa P Lichtenstein
(74) *Attorney, Agent, or Firm*—Kirk A. Buhler; Buhler & Associates

(21) Appl. No.: **29/301,967**

(22) Filed: **Mar. 26, 2008**

(57) **CLAIM**

(51) **LOC (8) Cl.** **15-01**

The ornamental design for a low profile carburetor hat, as shown and described.

(52) **U.S. Cl.** **D15/6**

(58) **Field of Classification Search** D15/1–5,
D15/6; 261/23.2, 70; 123/198 E
See application file for complete search history.

DESCRIPTION

(56) **References Cited**

U.S. PATENT DOCUMENTS

D267,952 S	2/1983	Martin	
D472,246 S	3/2003	Ayton	
6,886,526 B2 *	5/2005	Bishop 123/198 E
D517,567 S	3/2006	Teeter	
D528,129 S	9/2006	Huang	
7,107,962 B1 *	9/2006	Spies et al. 123/198 E
D530,723 S	10/2006	Huang	

FIG. 1 is a perspective view for a low profile carburetor hat showing my new design;

FIG. 2 is a top view thereof;

FIG. 3 is a right side view thereof;

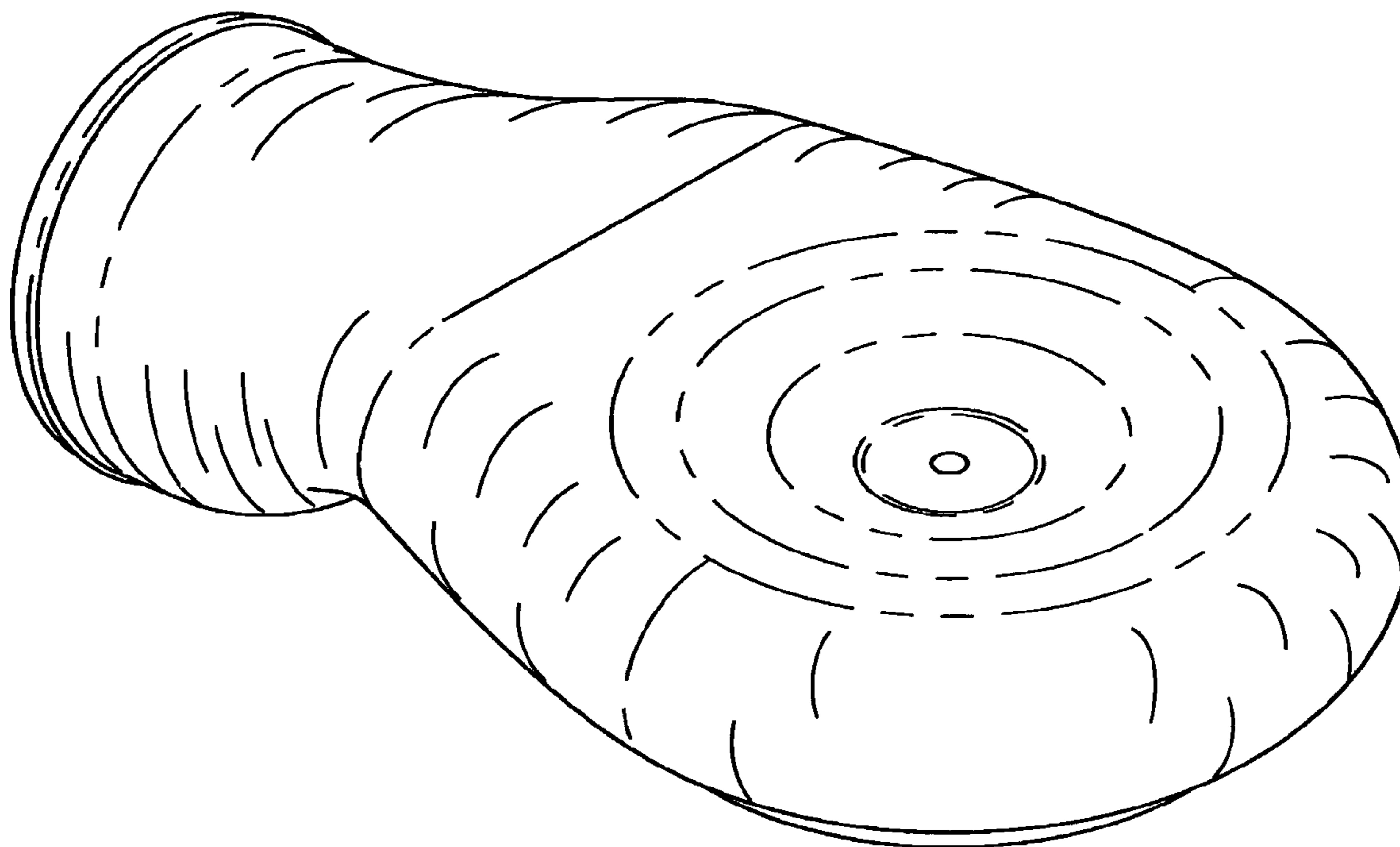
FIG. 4 is a bottom view thereof;

FIG. 5 is a left side view thereof;

FIG. 6 is a front view thereof; and,

FIG. 7 is a back view thereof.

1 Claim, 4 Drawing Sheets



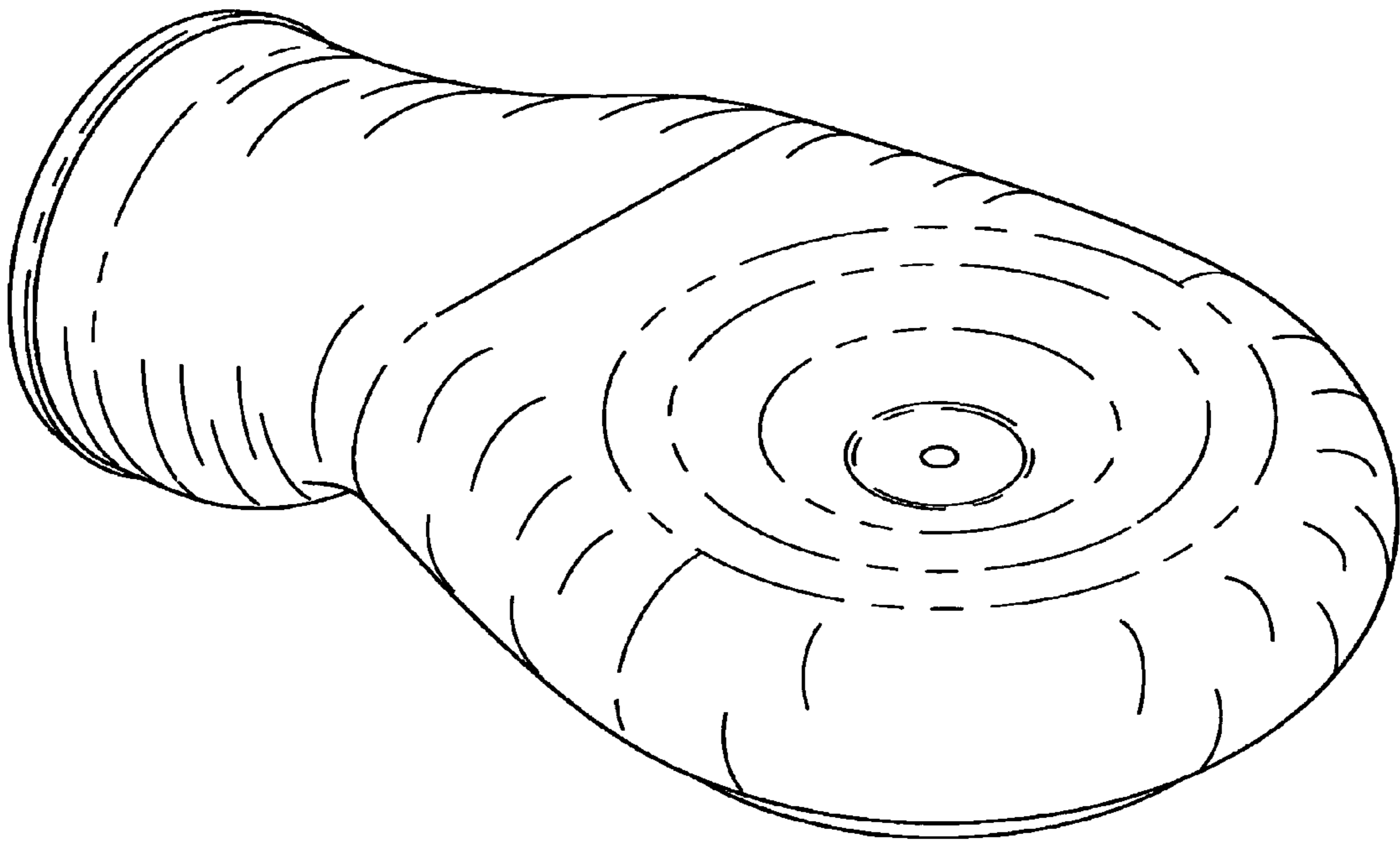


FIG. 1

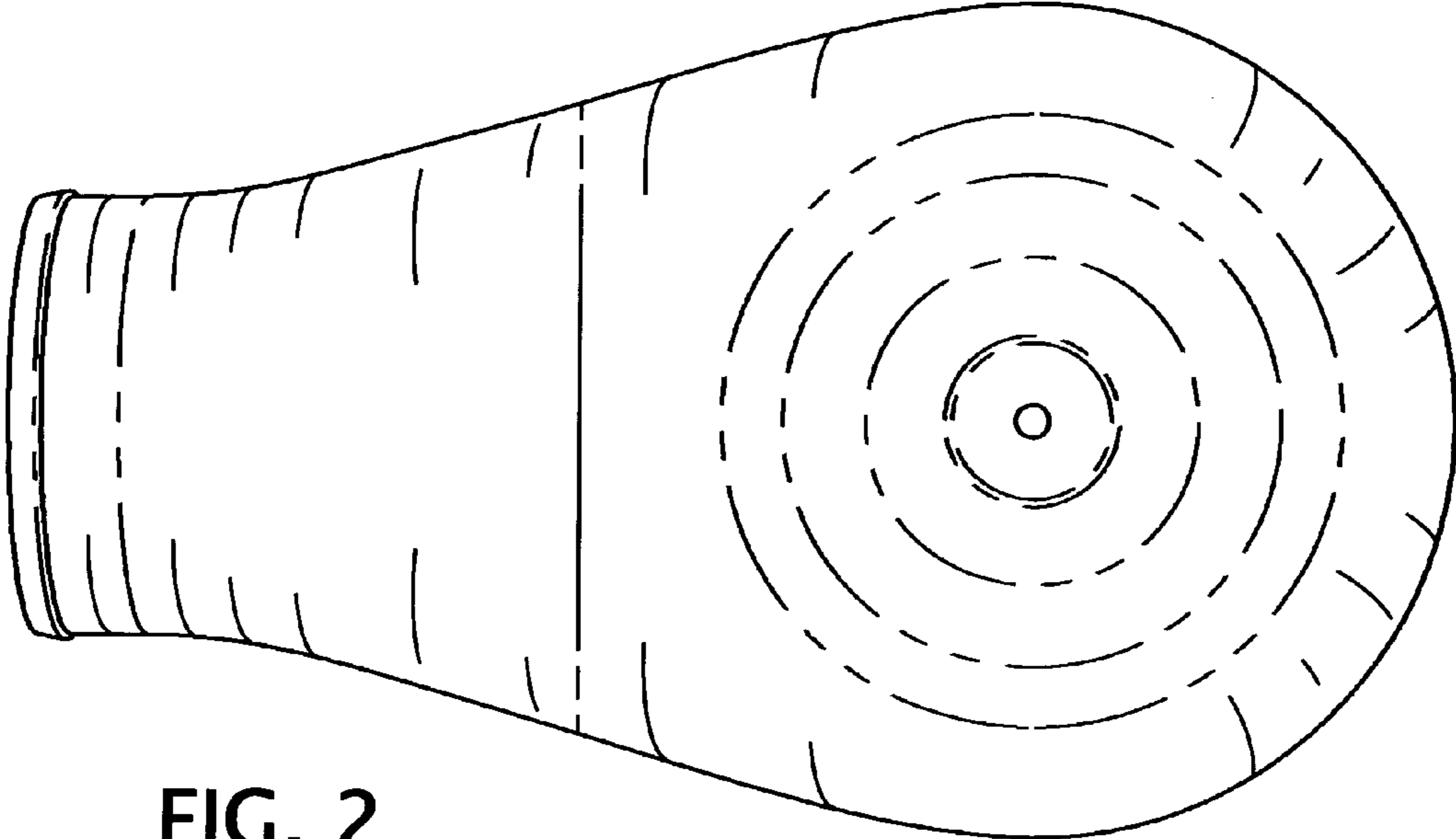


FIG. 2

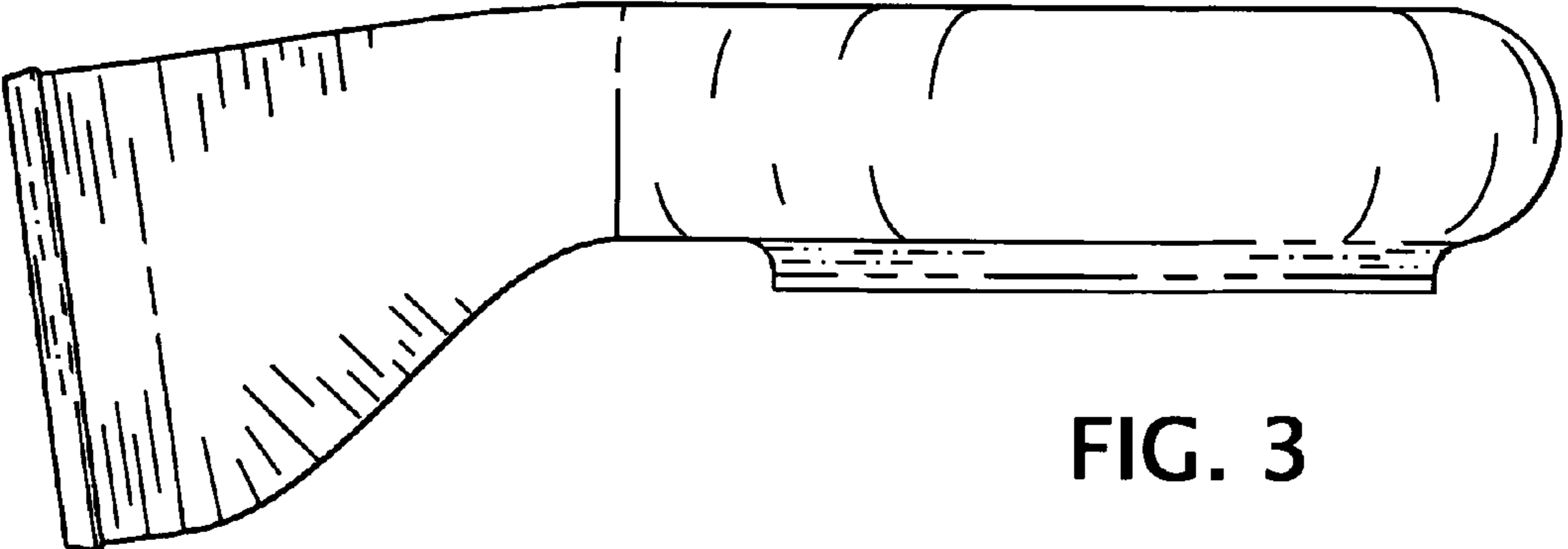


FIG. 3

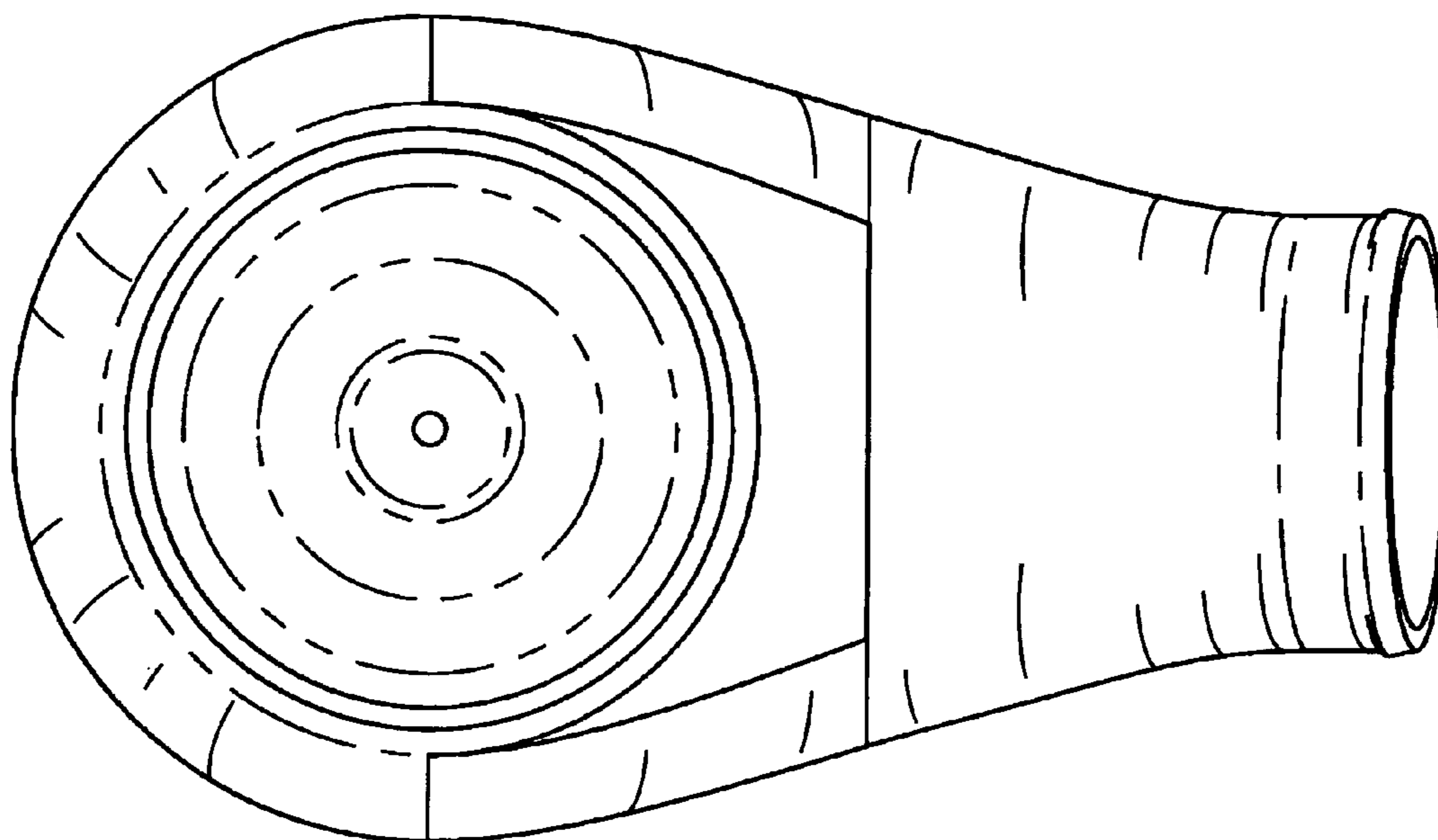


FIG. 4

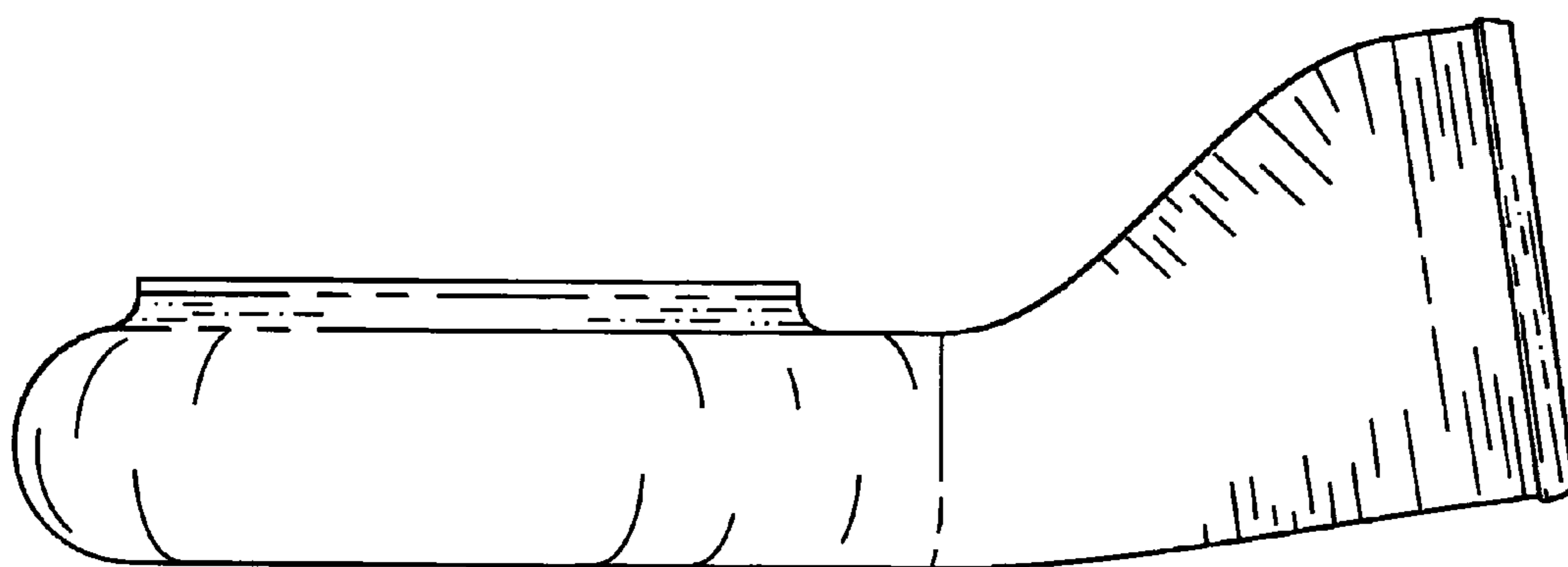


FIG. 5

FIG. 6

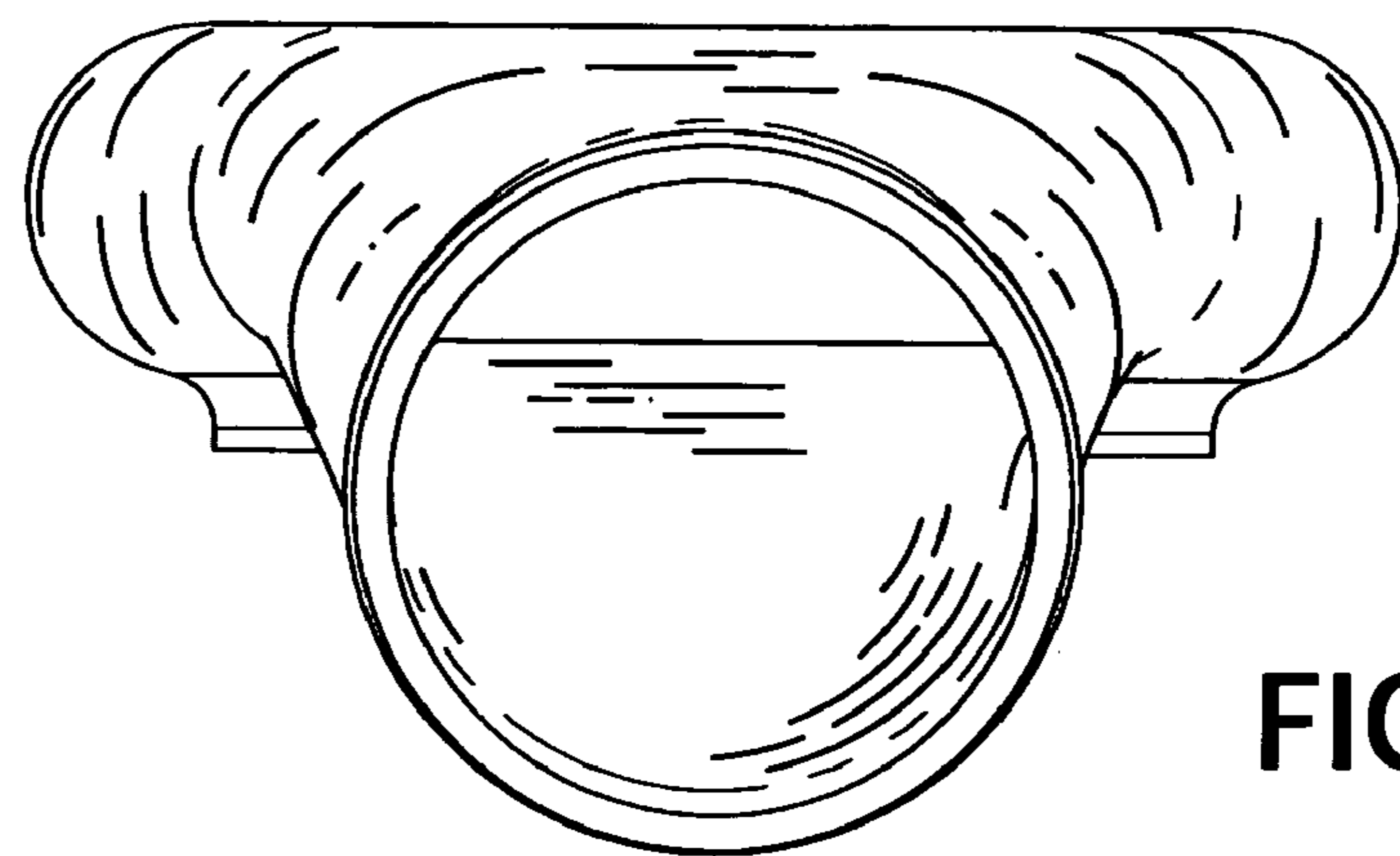
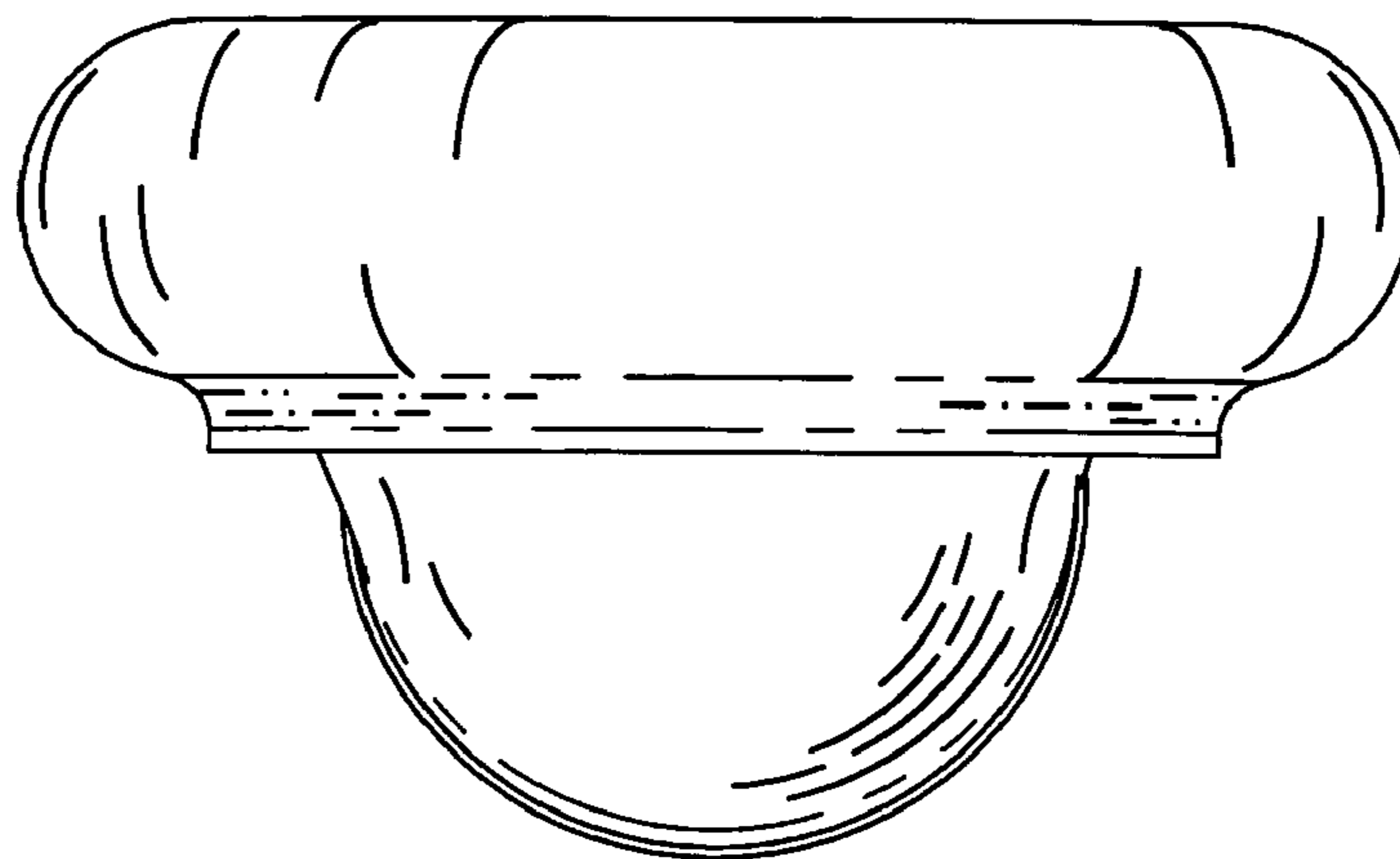


FIG. 7