



US00D582431S

(12) **United States Design Patent**
Chisenhall et al.

(10) **Patent No.:** **US D582,431 S**
(45) **Date of Patent:** **** Dec. 9, 2008**

(54) **VEHICLE AIR CONDITIONER
COMPRESSOR MOUNTING BRACKET**

5,704,329 A * 1/1998 Bublitz et al. 123/195 A
7,011,068 B2 * 3/2006 Yamagata et al. 123/195 A
7,194,994 B1 * 3/2007 Chisenhall et al. 123/195 A

(75) Inventors: **Jack L. Chisenhall**, San Antonio, TX
(US); **Ryan D. Zwicker**, New Braunfels,
TX (US); **Scott D. Johnson**, San
Antonio, TX (US)

* cited by examiner

Primary Examiner—Ian Simmons

Assistant Examiner—Wan Laymon

(73) Assignee: **Vintage Air, Inc.**, San Antonio, TX (US)

(74) *Attorney, Agent, or Firm*—Cox Smith Matthews
Incorporated

(**) Term: **14 Years**

(57) **CLAIM**

(21) Appl. No.: **29/224,806**

The ornamental design for a vehicle air conditioner compres-
sor mounting bracket, as shown and described.

(22) Filed: **Mar. 7, 2005**

DESCRIPTION

(51) **LOC (8) Cl.** **15-01**

FIG. 1 is a front perspective view of a vehicle air conditioner
compressor mounting bracket showing our new design;

(52) **U.S. Cl.** **D15/5**

FIG. 2 is a top view thereof;

(58) **Field of Classification Search** D15/3,

FIG. 3 is a front elevational view thereof;

D15/5; 123/195 A, 195 C, 198 R, 198 E,

FIG. 4 is a left side elevational view thereof;

123/196 AB, 198 C

FIG. 5 is a right side elevational view thereof;

See application file for complete search history.

FIG. 6 is a rear elevational view thereof;

(56) **References Cited**

U.S. PATENT DOCUMENTS

D31,412 S * 8/1899 Mayhew D15/5

D317,163 S * 5/1991 Kaneko D15/5

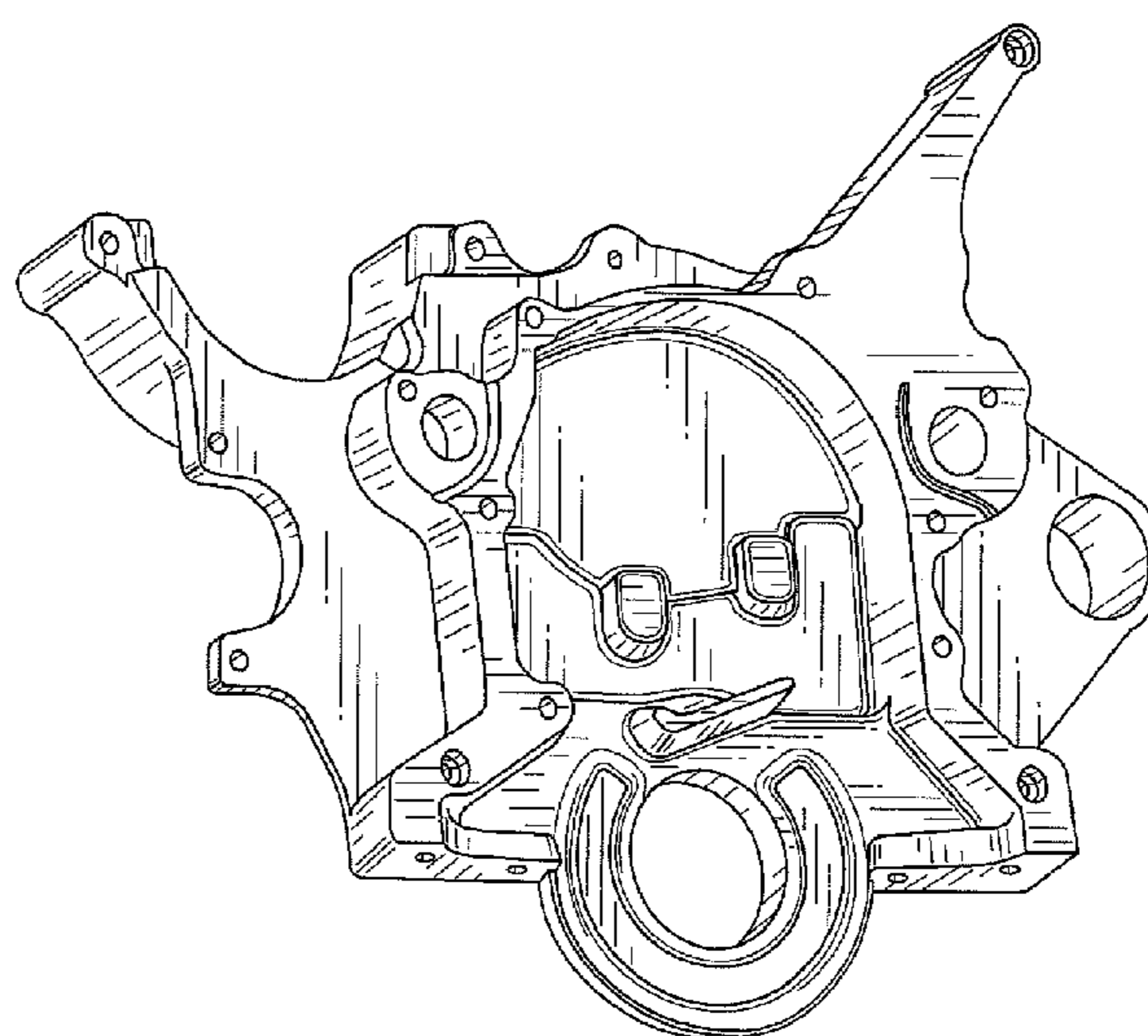
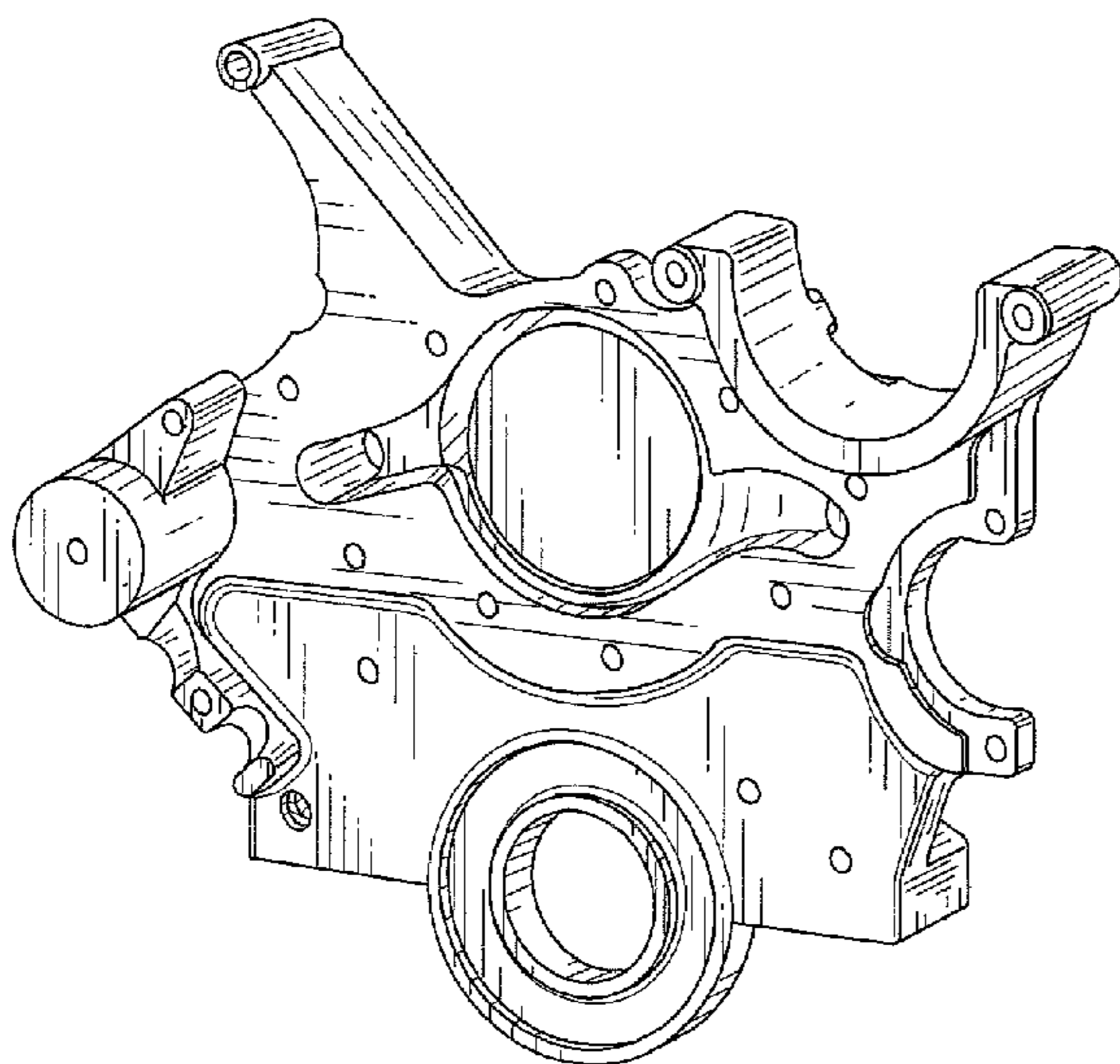
5,125,376 A * 6/1992 Williams et al. 123/195 A

5,692,466 A * 12/1997 Hausmann et al. 123/195 A

FIG. 7 is a bottom plan view thereof; and,

FIG. 8 is a rear perspective view thereof.

1 Claim, 5 Drawing Sheets



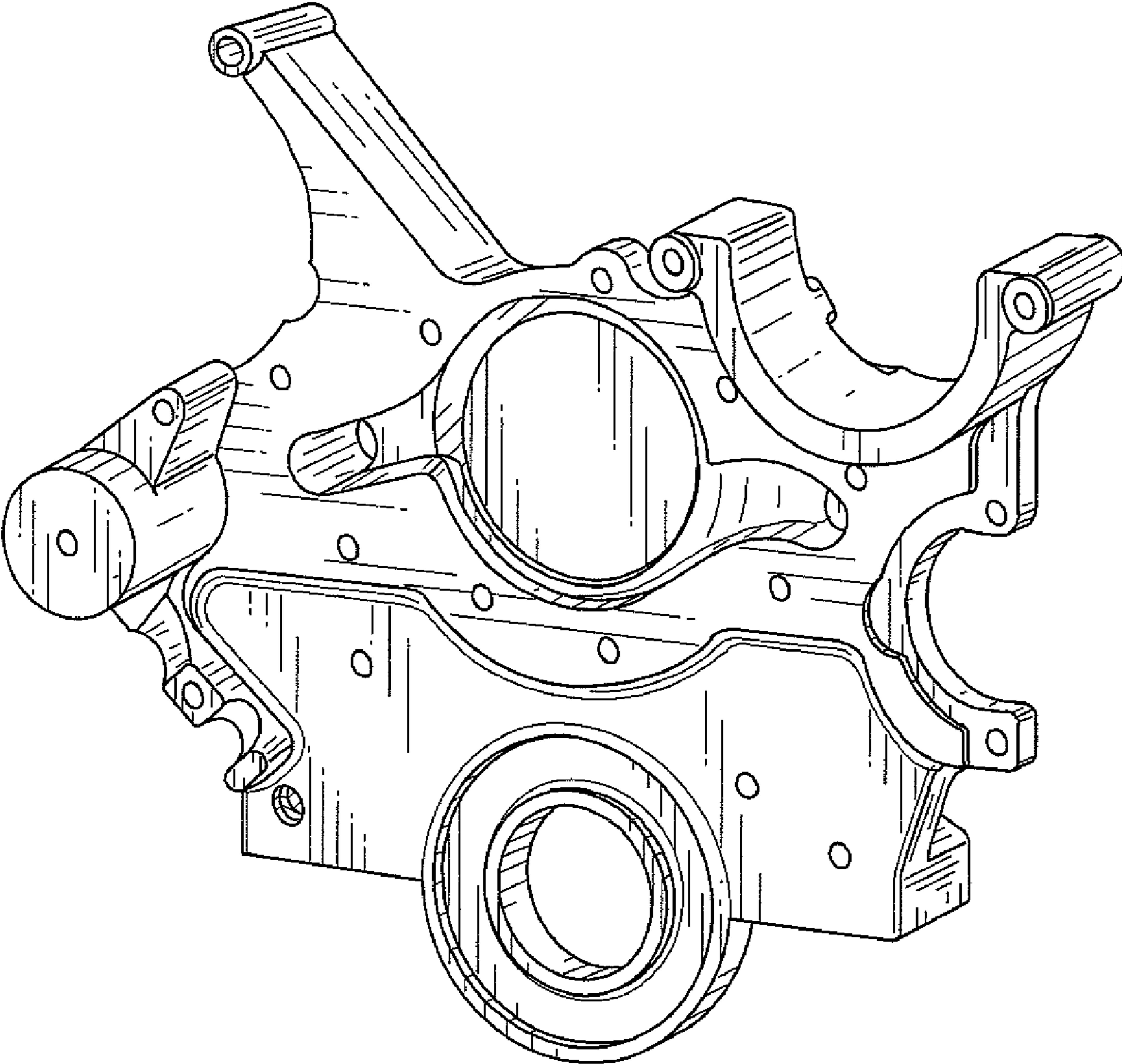


Fig. 1

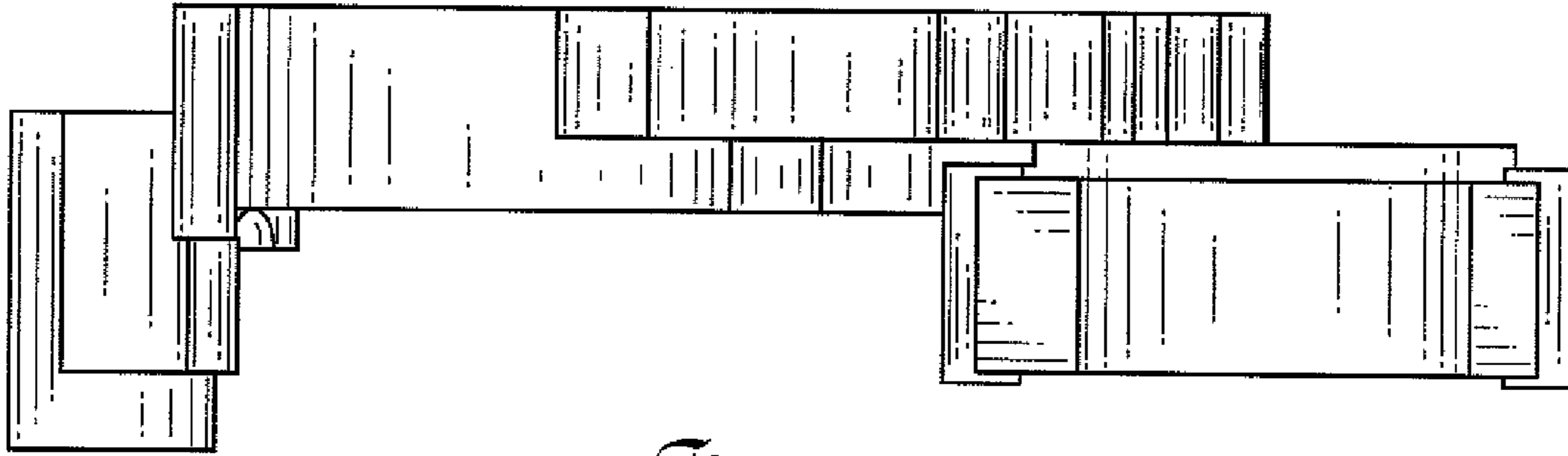


Fig. 2

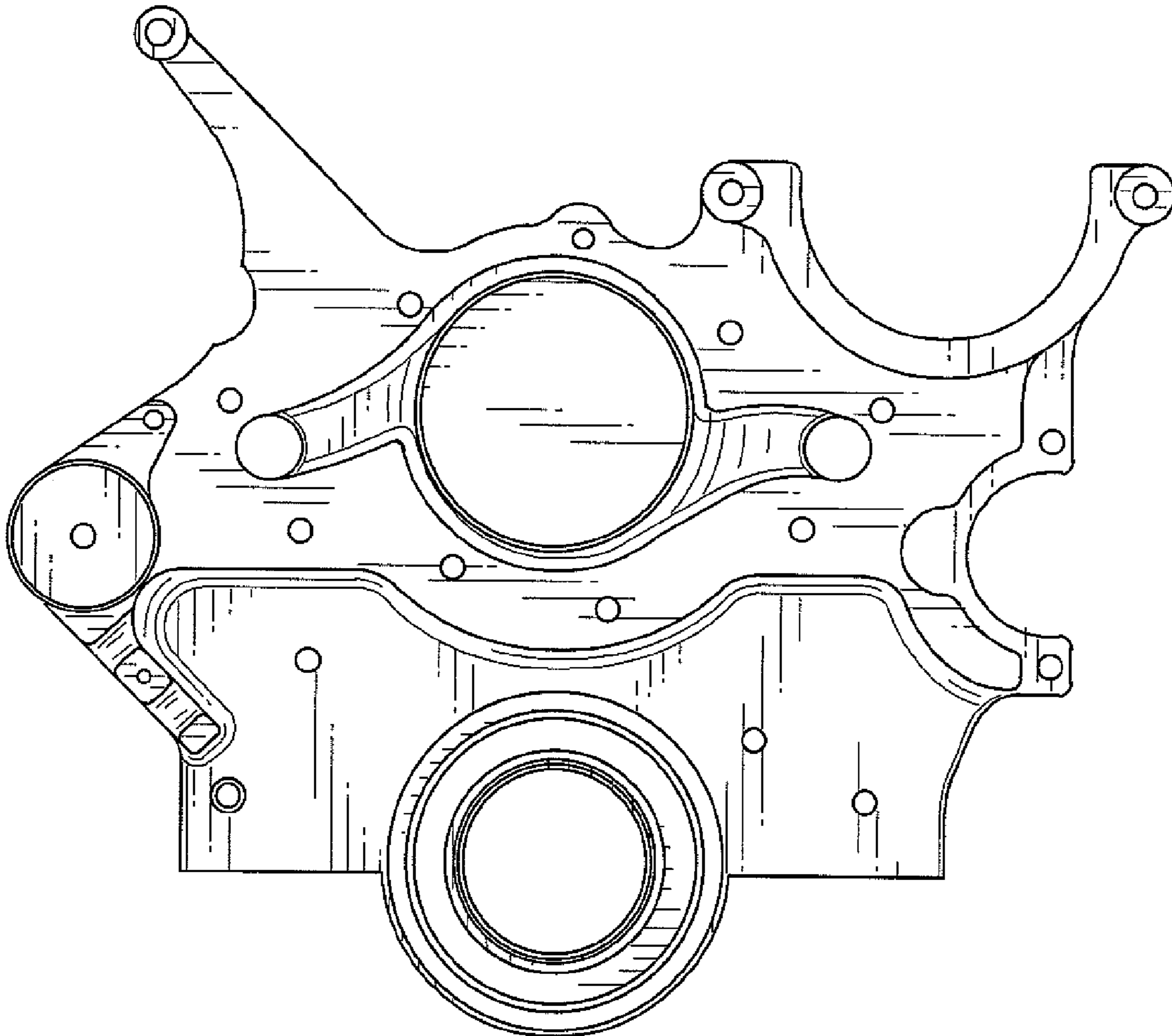


Fig. 3

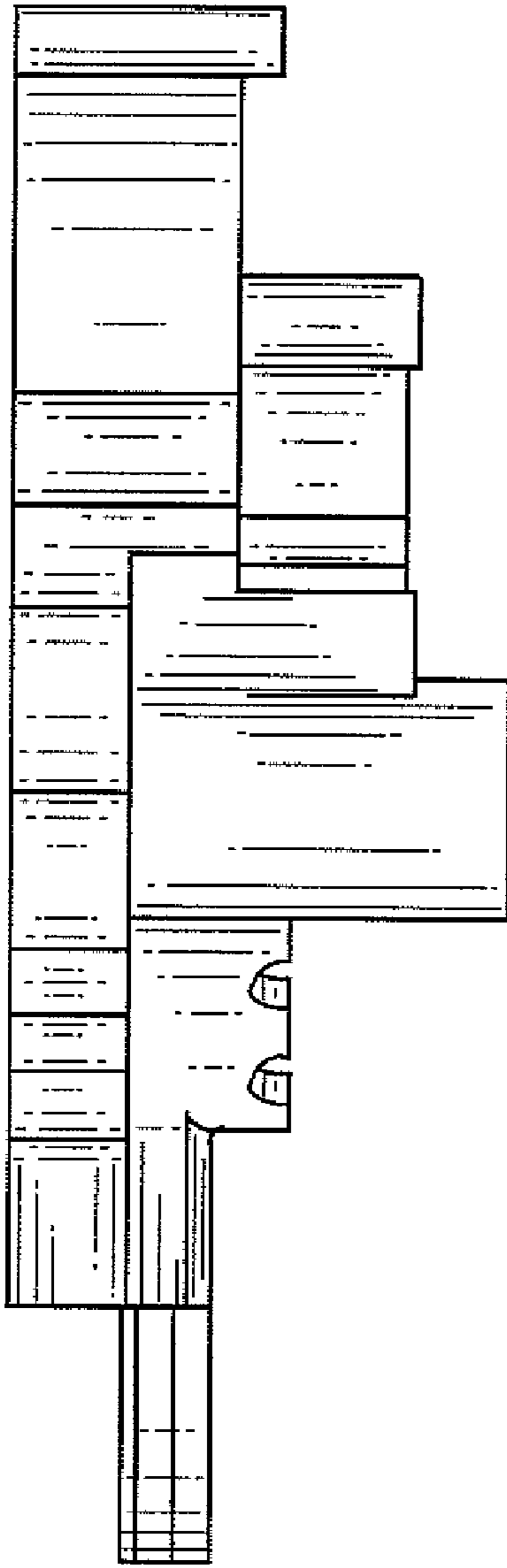


Fig. 4

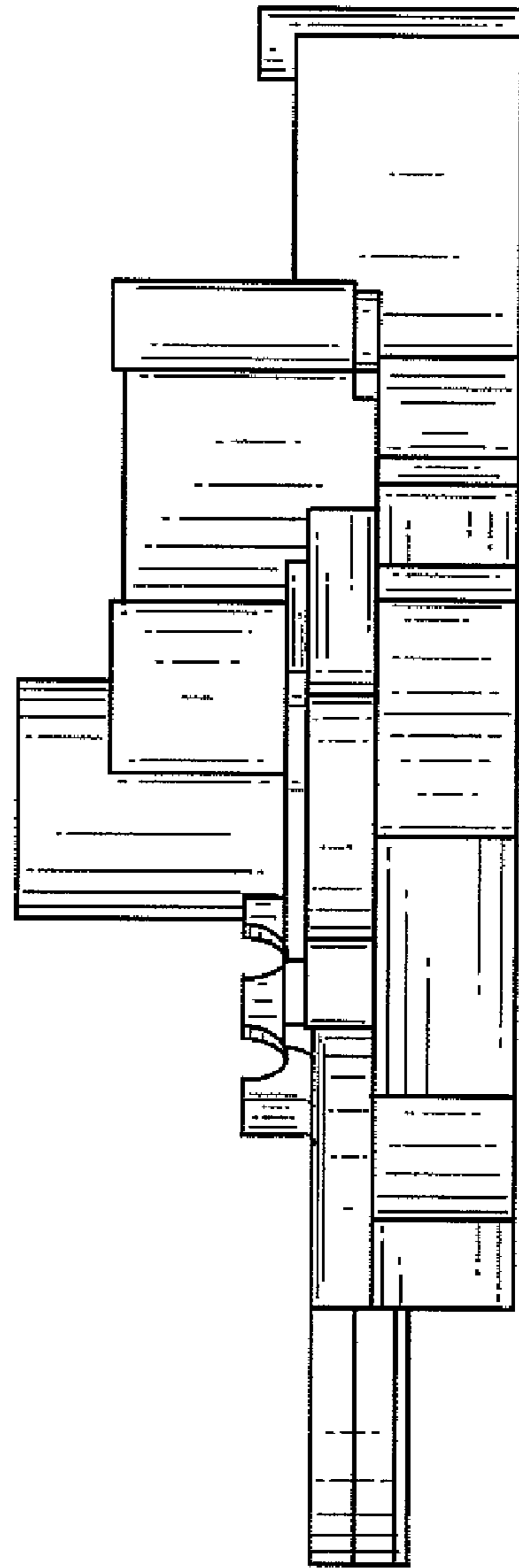


Fig. 5

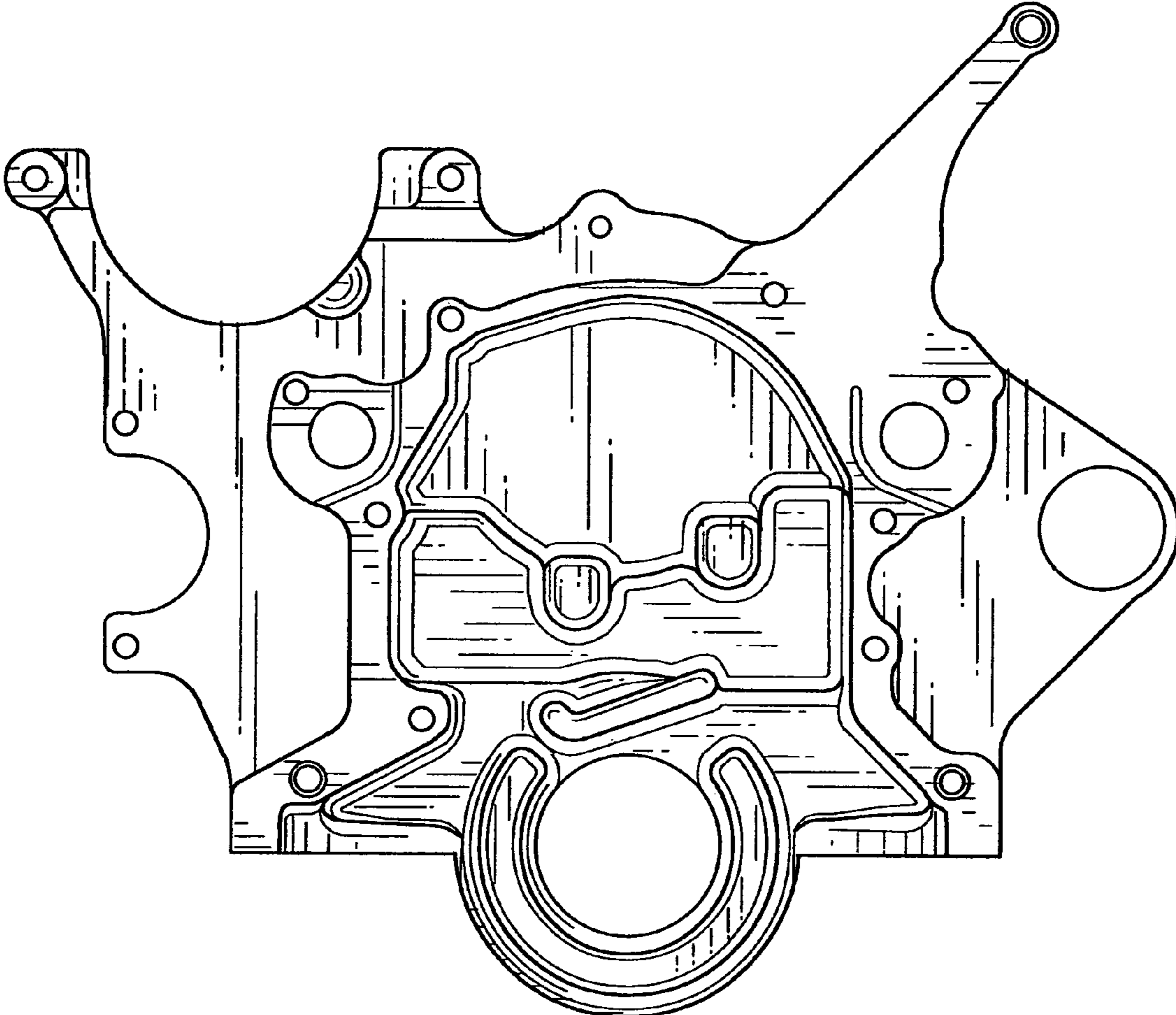


Fig. 6

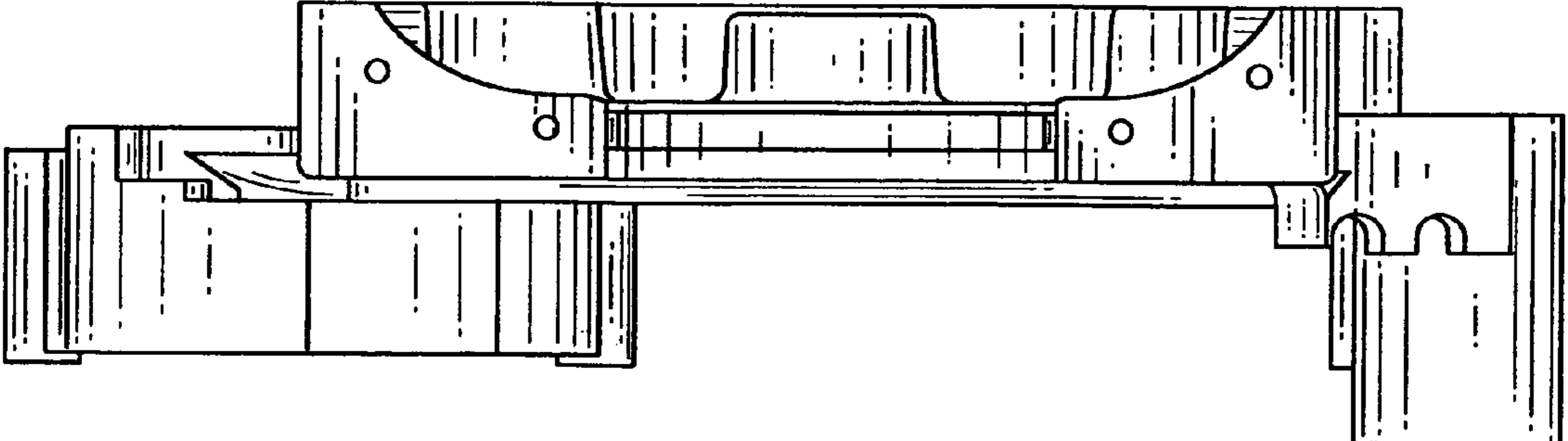


Fig. 7

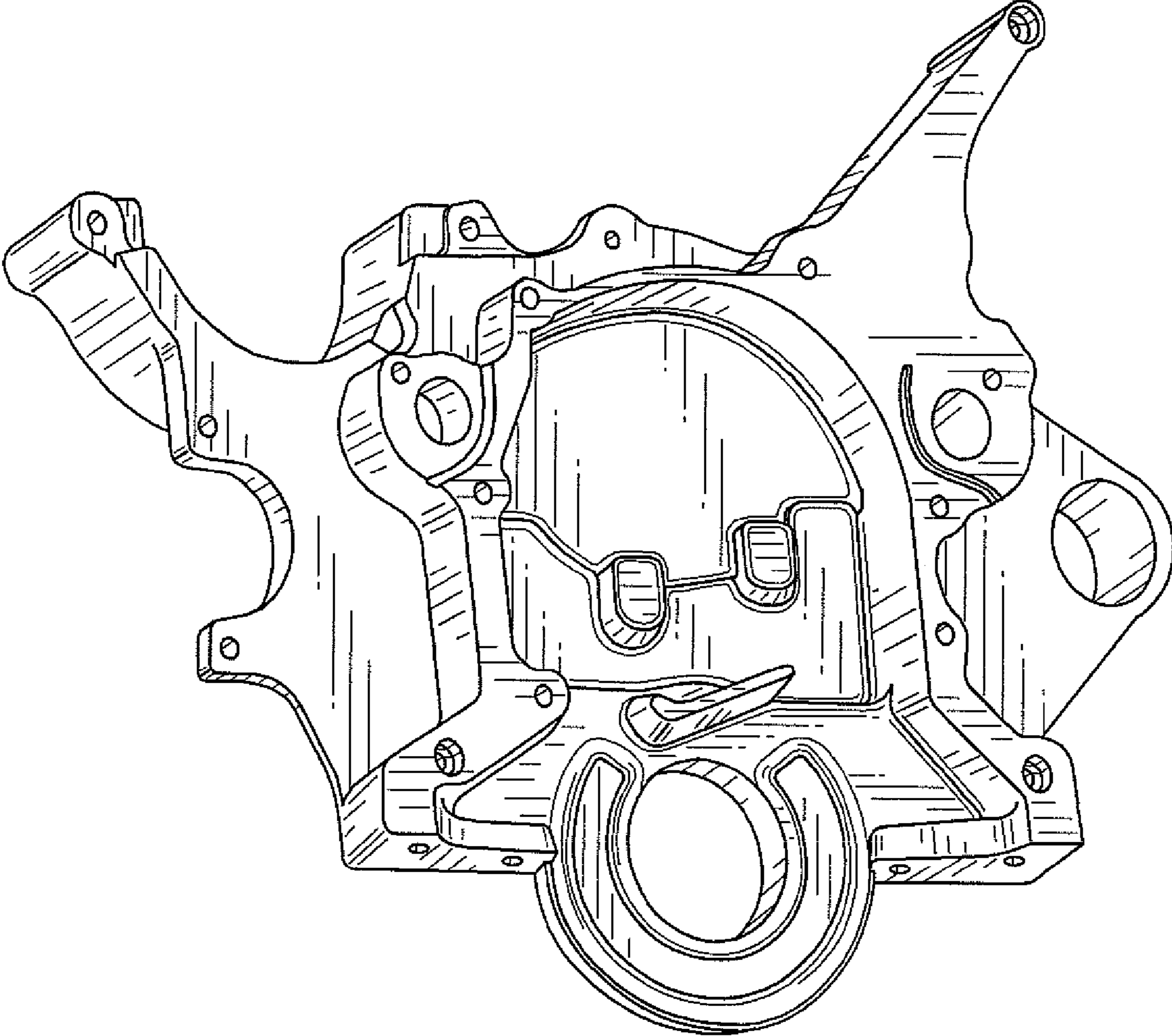


Fig. 8