



US00D582430S

(12) **United States Design Patent**  
**Pepin et al.**

(10) **Patent No.:** **US D582,430 S**  
(45) **Date of Patent:** **\*\* Dec. 9, 2008**

(54) **PLAYER**

(75) Inventors: **Gilles Pepin**, St-Charles de Drummondville (CA); **Alain Paré**, Kirkland (CA); **Dominic R. Labbé**, McMasterville (CA); **Gerard M. Chevalier**, Edmonton (CA); **Joseph A. Juratovac**, Columbus, OH (US); **Jeffrey R. Held**, Columbus, OH (US); **Michael Scott Ulrich**, Columbus, OH (US); **Gregg Charles Vanderheiden**, Madison, WI (US); **David Paul Kelso**, Madison, WI (US); **Frank Kurt Cylke**, Great Falls, VA (US); **Jean Marie Moss**, Glendale, MD (US); **Michael Gilbert Katzmann**, Washington, DC (US); **Robert Edward Fistick**, Charlotte Hall, MD (US); **Michael Montfort Moodie**, Bethesda, MD (US); **Alice Kathryn Baker**, Washington, WA (US); **Donald Lee Pieper**, Arroyo Grande, CA (US)

(73) Assignees: **Technologies Humanware Canada, Inc.**, Québec (CA); **Wisconsin Alumni Research Foundation**, Madison, WI (US); **United States Library of Congress**, Washington, DC (US)

(\*\*) Term: **14 Years**

(21) Appl. No.: **29/273,867**

(22) Filed: **Mar. 15, 2007**

(51) **LOC (8) Cl.** ..... **14-03**

(52) **U.S. Cl.** ..... **D14/496**

(58) **Field of Classification Search** ..... D14/496, D14/401, 435, 474, 483, 217, 137, 138, 160, D14/168; 345/156, 169, 173-179, 905; 715/727-729, 715/864; 710/1, 5, 8; 713/1, 600; 455/11, 455/1.7, 73, 344-347, 93, 95; 370/342-344; 369/1, 2, 6, 12; 463/43-47; 273/148 B

See application file for complete search history.

(56) **References Cited**

**U.S. PATENT DOCUMENTS**

5,825,408 A \* 10/1998 Yuyama et al. .... 348/14.01

(Continued)

*Primary Examiner*—Prabhakar Deshmukh

(74) *Attorney, Agent, or Firm*—Myers Bigel Sibley & Sajovec, PA

(57) **CLAIM**

The ornamental design for a player, as shown and described.

**DESCRIPTION**

The invention was made, in part, with U.S. government support under Award No. GS-23F-0011L. The United States government may have certain rights to this invention.

FIG. 1 is a top perspective view of a first embodiment of a player showing our new design, with buttons shown in broken lines for illustrative purposes only;

FIG. 2 is a top plan view of the first embodiment;

FIG. 3 is a bottom perspective view of the first embodiment;

FIG. 4 is a left side plan view of the first embodiment;

FIG. 5 is a right side plan view of the first embodiment;

FIG. 6 is a front view of the first embodiment;

FIG. 7 is a rear view of the first embodiment;

FIG. 8 is a bottom plan view of the first embodiment;

FIG. 9 is a top perspective view of a second embodiment thereof, with buttons shown in broken lines for illustrative purposes only;

FIG. 10 is a top plan view of the second embodiment;

FIG. 11 is a bottom perspective view of the second embodiment;

FIG. 12 is a left side plan view of the second embodiment;

FIG. 13 is a right side plan view of the second embodiment;

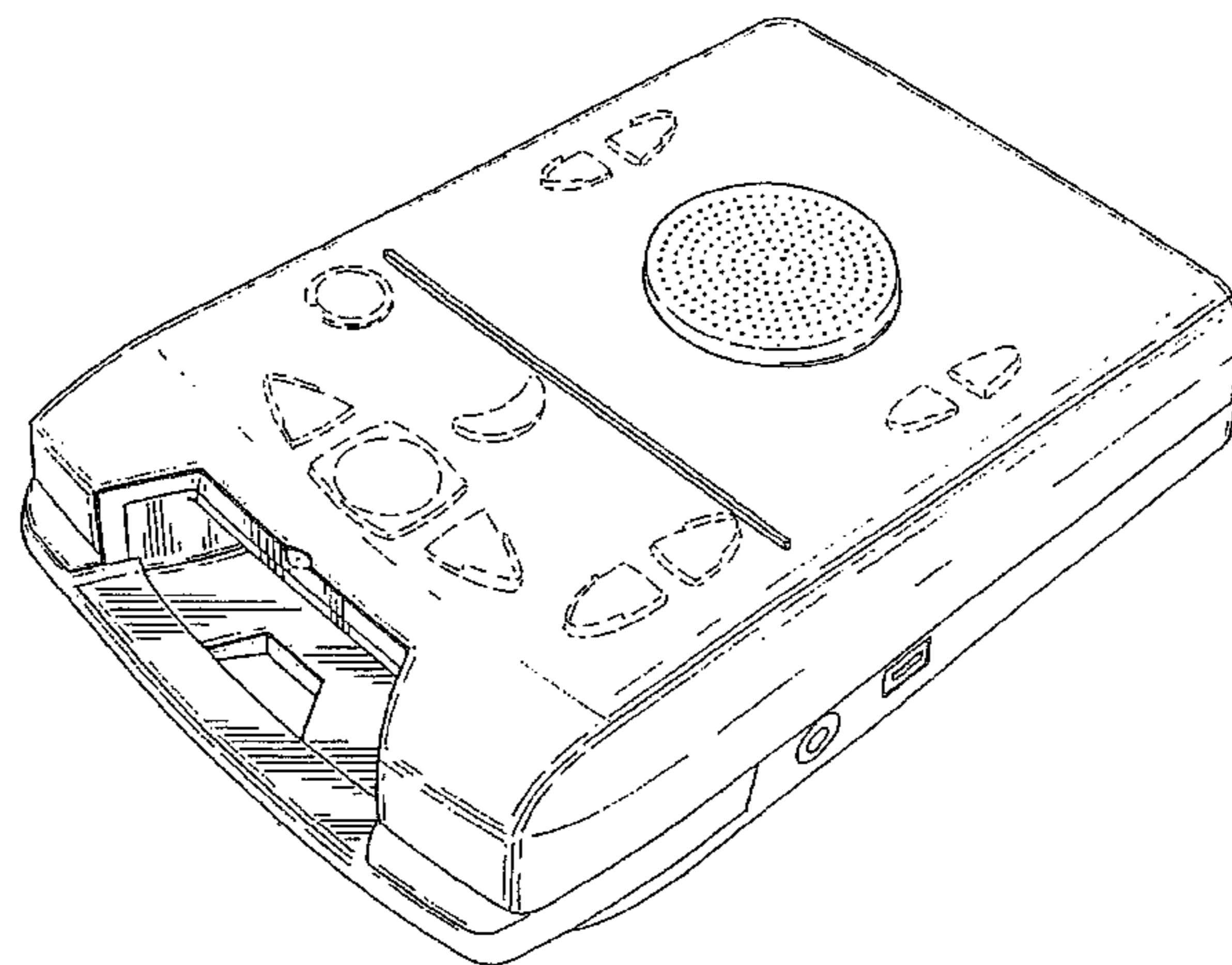
FIG. 14 is a front view of the second embodiment;

FIG. 15 is a rear view of the second embodiment; and,

FIG. 16 is a bottom plan view of the second embodiment.

The portions of the design which are shown in broken lines, including the buttons shown in FIGS. 1, 2, 4, 5, 6, 7, 9, 10, 12, 13, 14 and 15, the three rectangular portions of FIGS. 3, 8, 11, and 16, and certain portions of FIGS. 6, 7, 14 and 15, are for illustrative purposes only and form no part of the claimed design. The broken lines immediately adjacent to the claimed portions represent the boundaries of the claimed design. None of the broken lines form part of the claimed design.

**1 Claim, 14 Drawing Sheets**



# US D582,430 S

Page 2

---

## U.S. PATENT DOCUMENTS

6,920,344 B2 *	7/2005	Jang .....	455/575.5	D559,268 S *	1/2008	Yu et al. ....	D14/496
D518,022 S *	3/2006	Ishizaki .....	D14/168	D561,198 S *	2/2008	Zhang .....	D14/496
7,046,230 B2 *	5/2006	Zadesky et al. ....	345/156	D562,346 S *	2/2008	Lee .....	D14/496
D544,882 S *	6/2007	Kurihara .....	D14/496				

\* cited by examiner

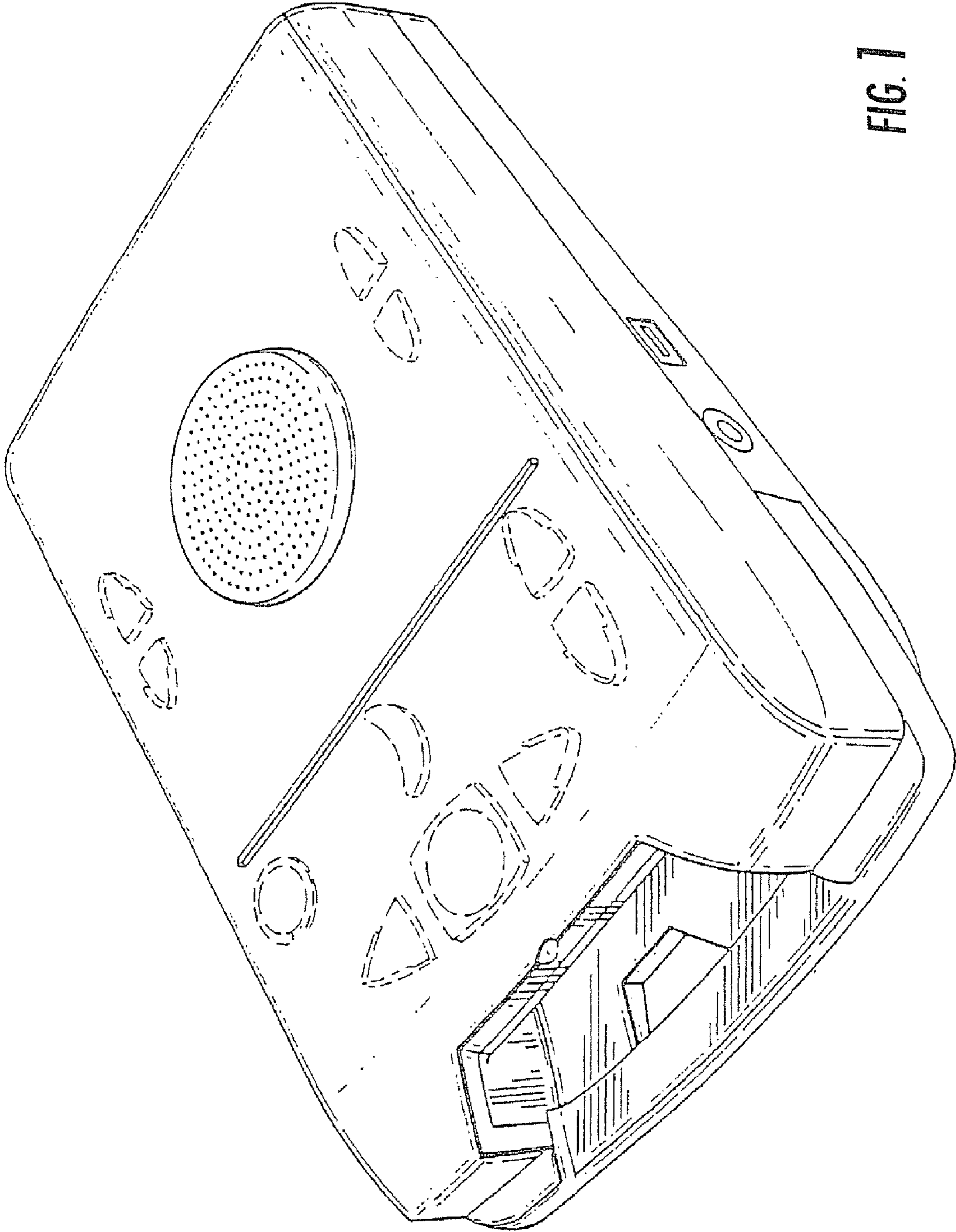


FIG. 1

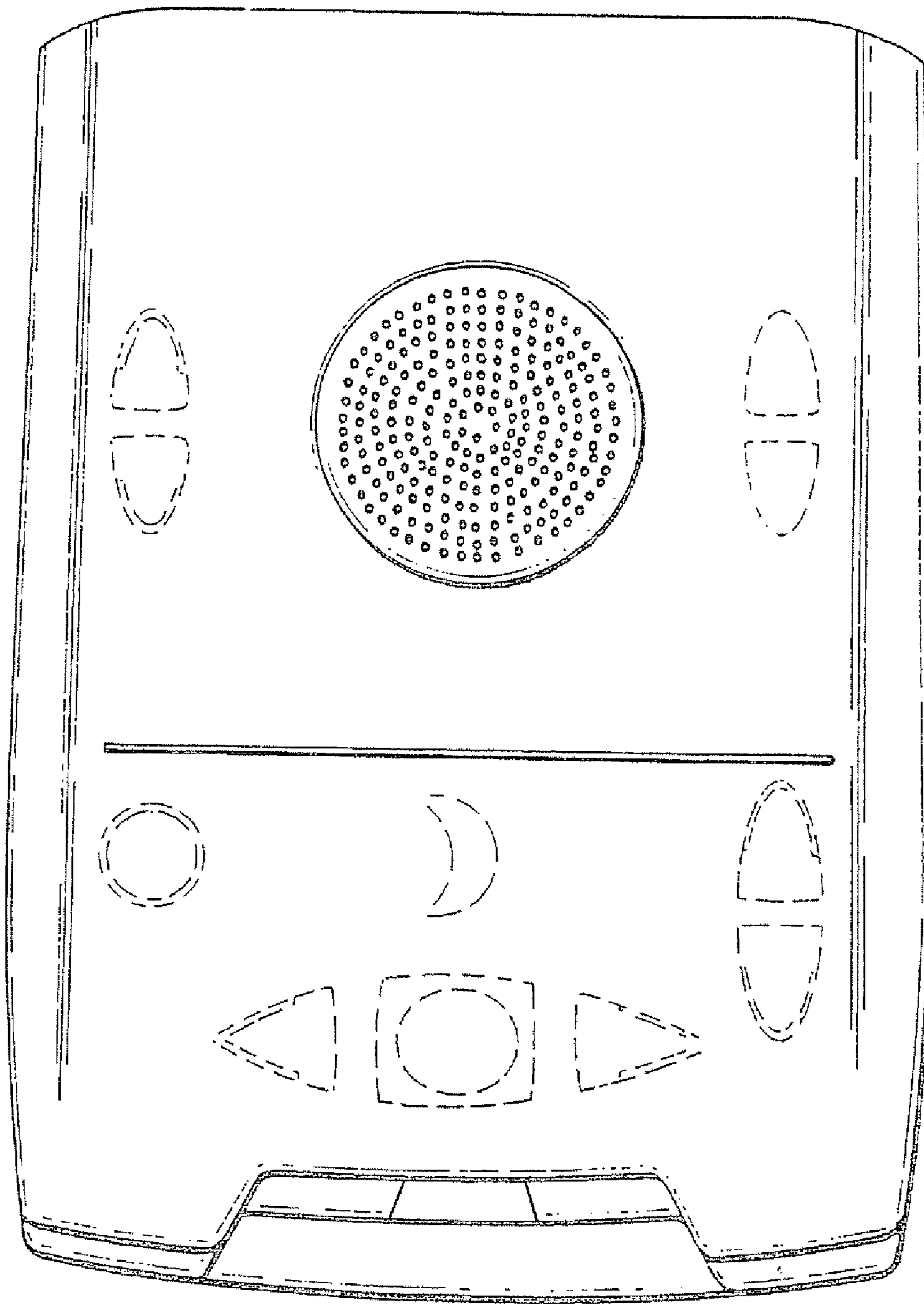


FIG. 2



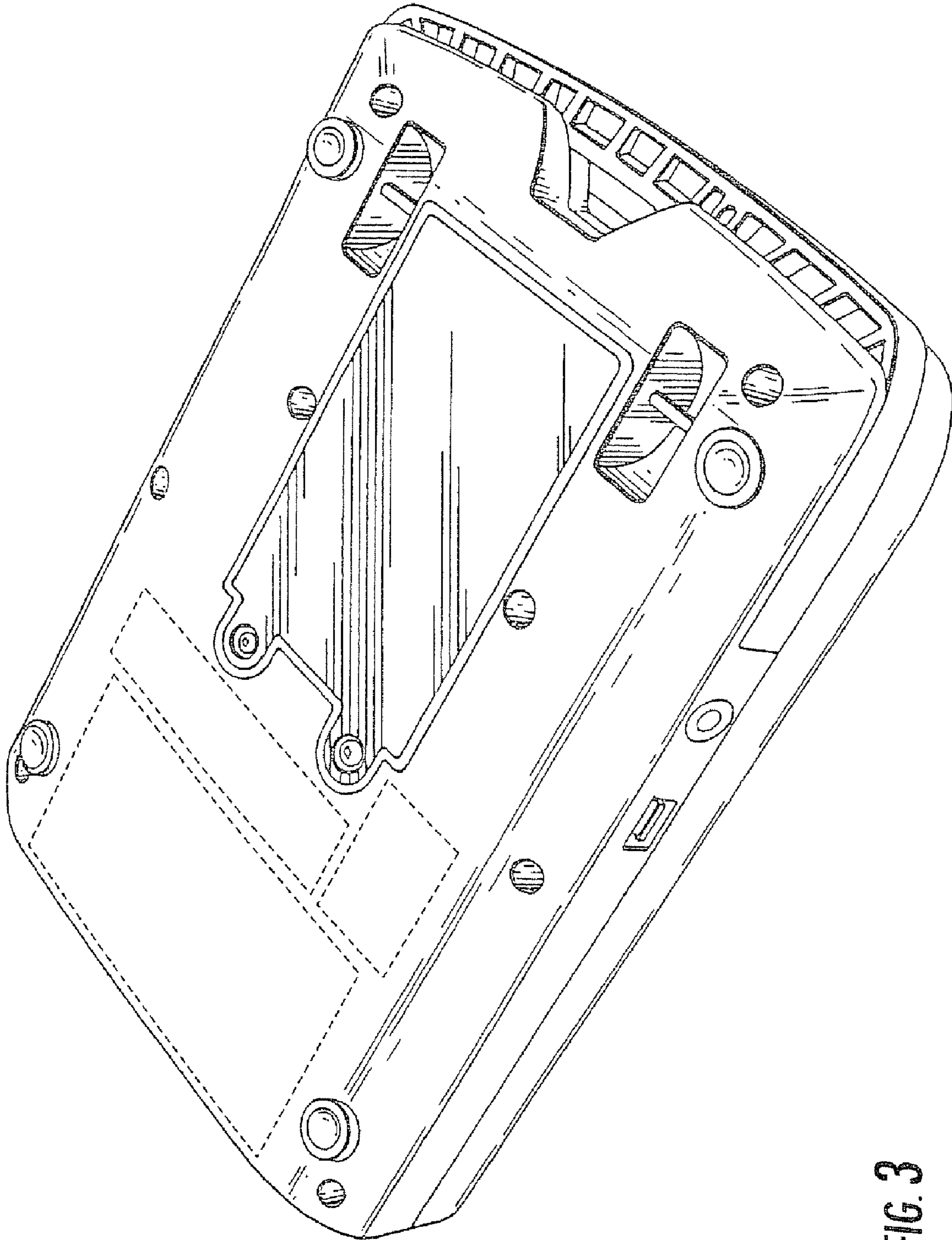


FIG. 3

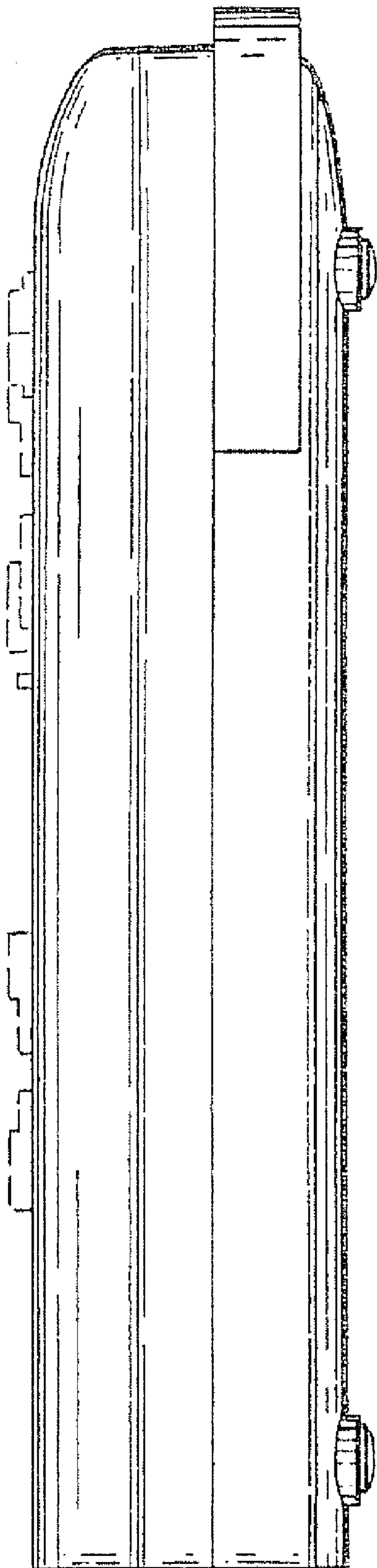


FIG. 4

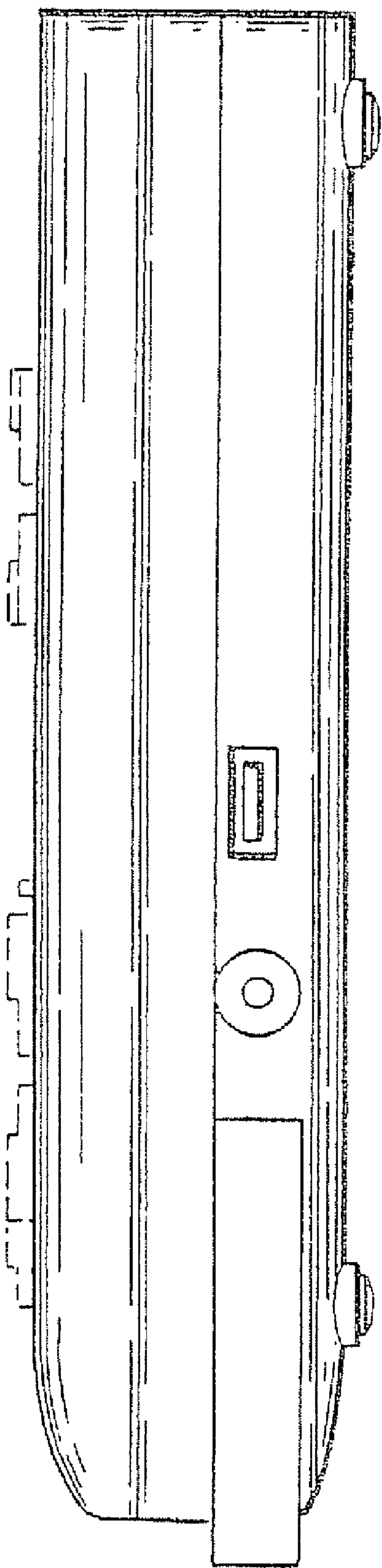


FIG. 5

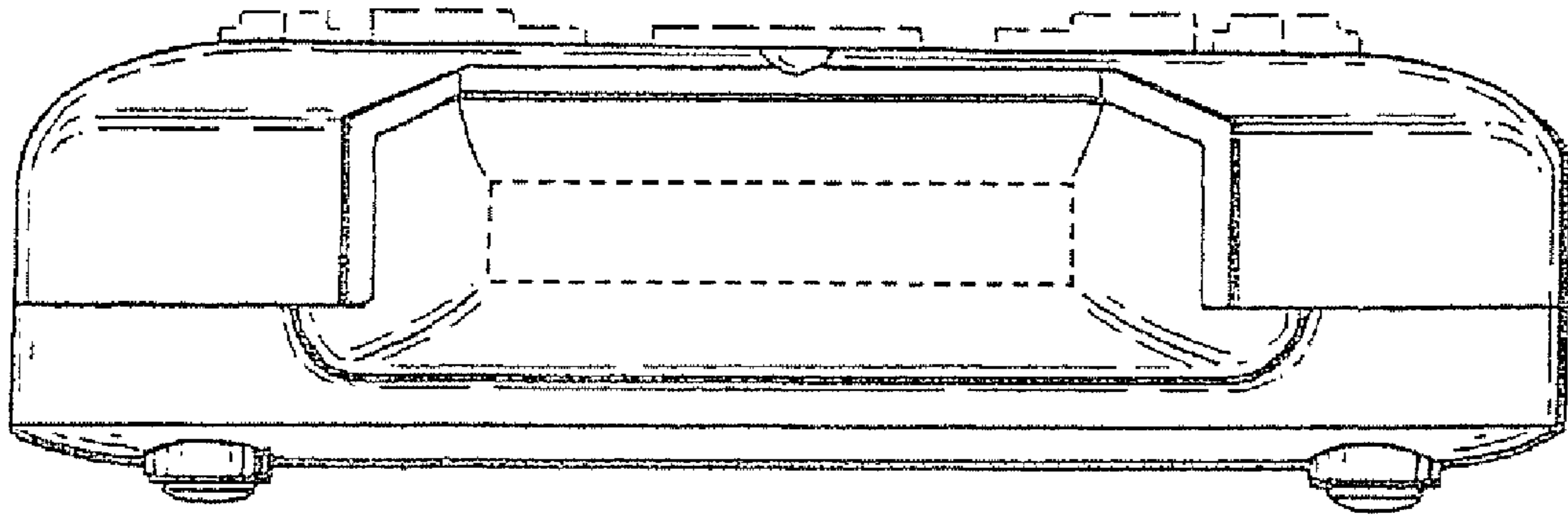


FIG. 6

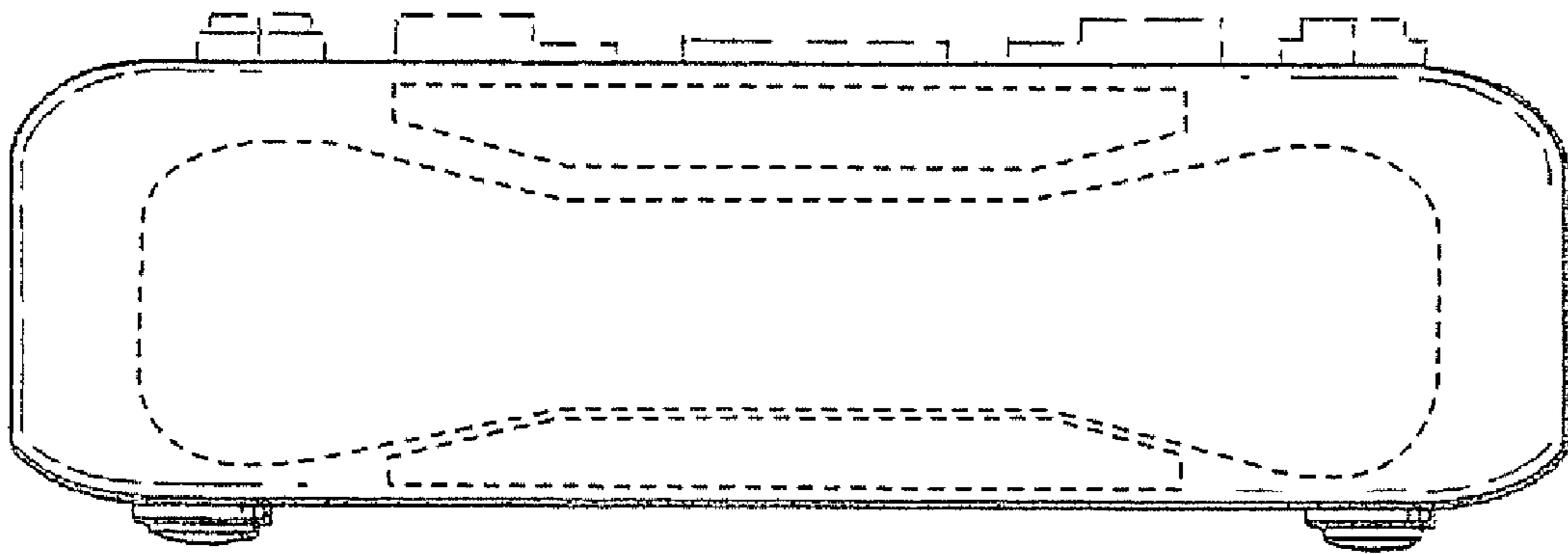


FIG. 7



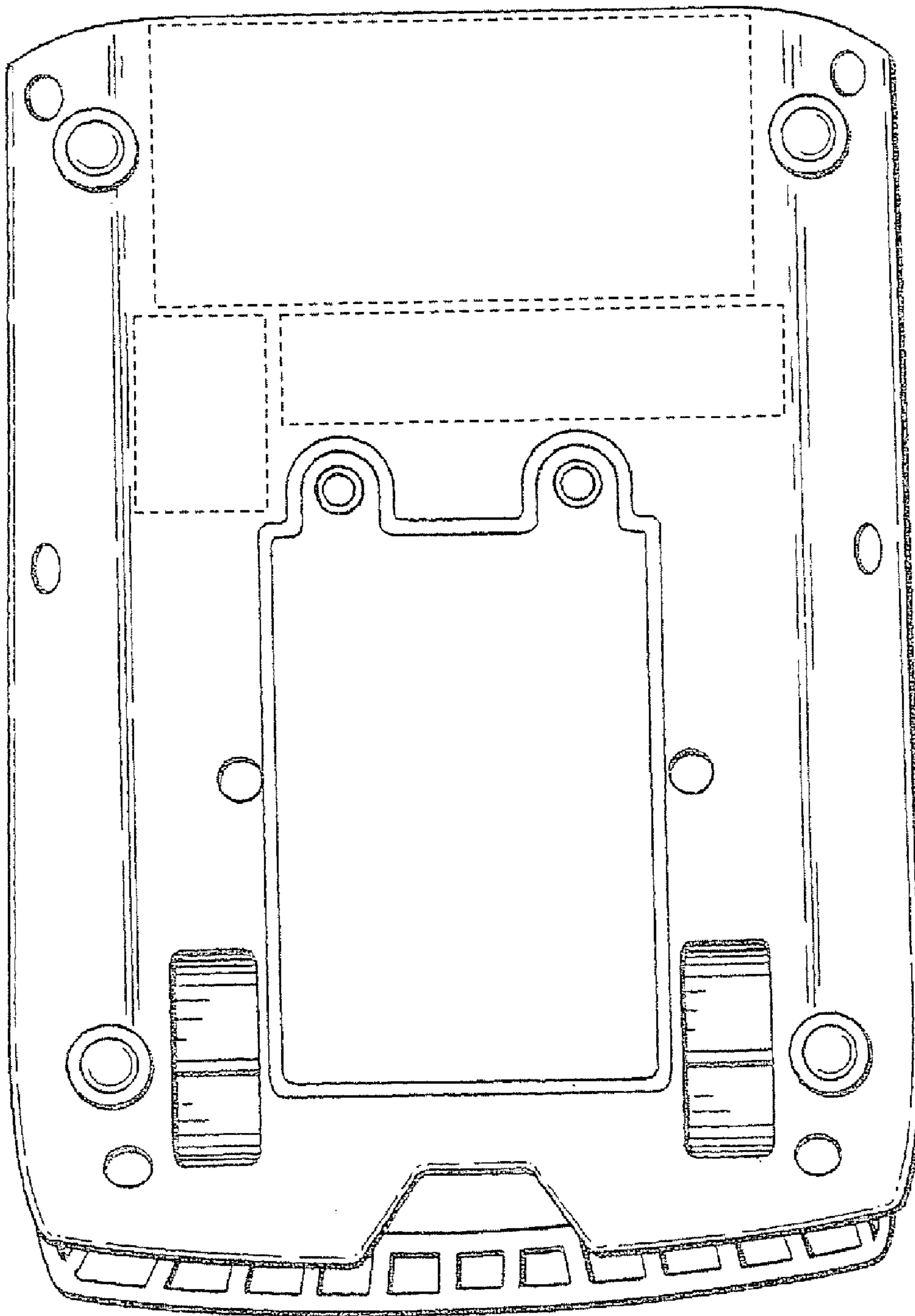


FIG. 8

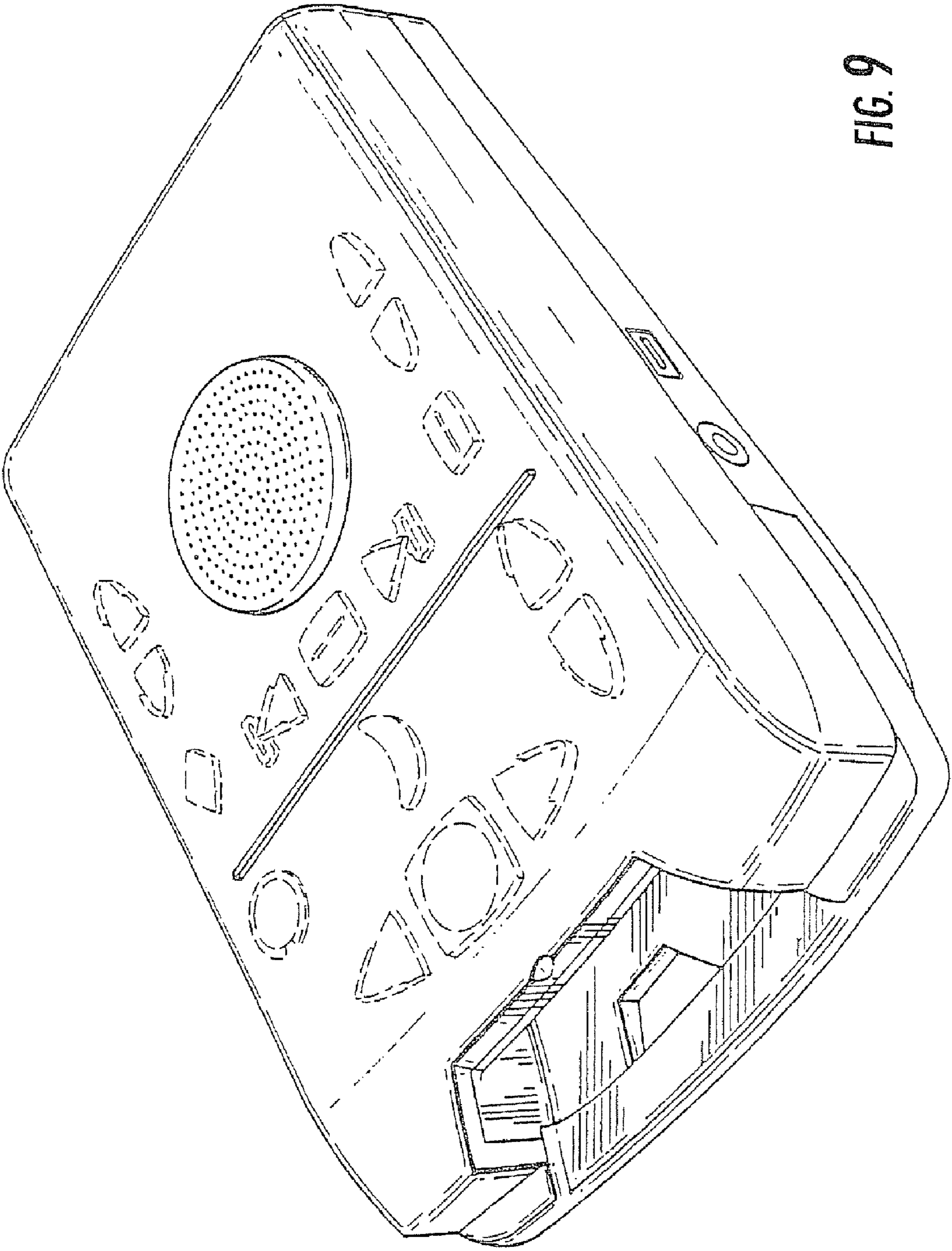


FIG. 9

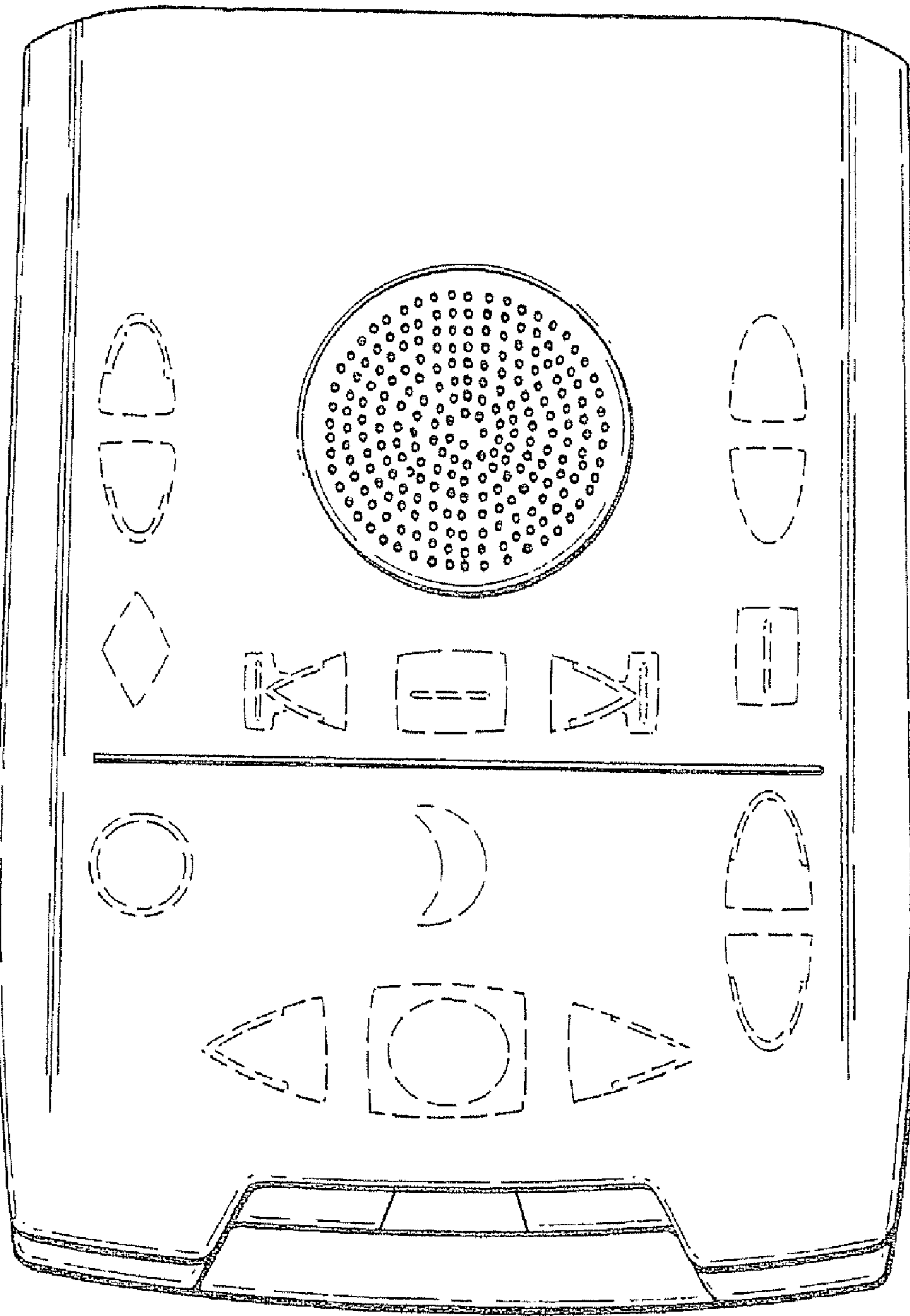


FIG. 10

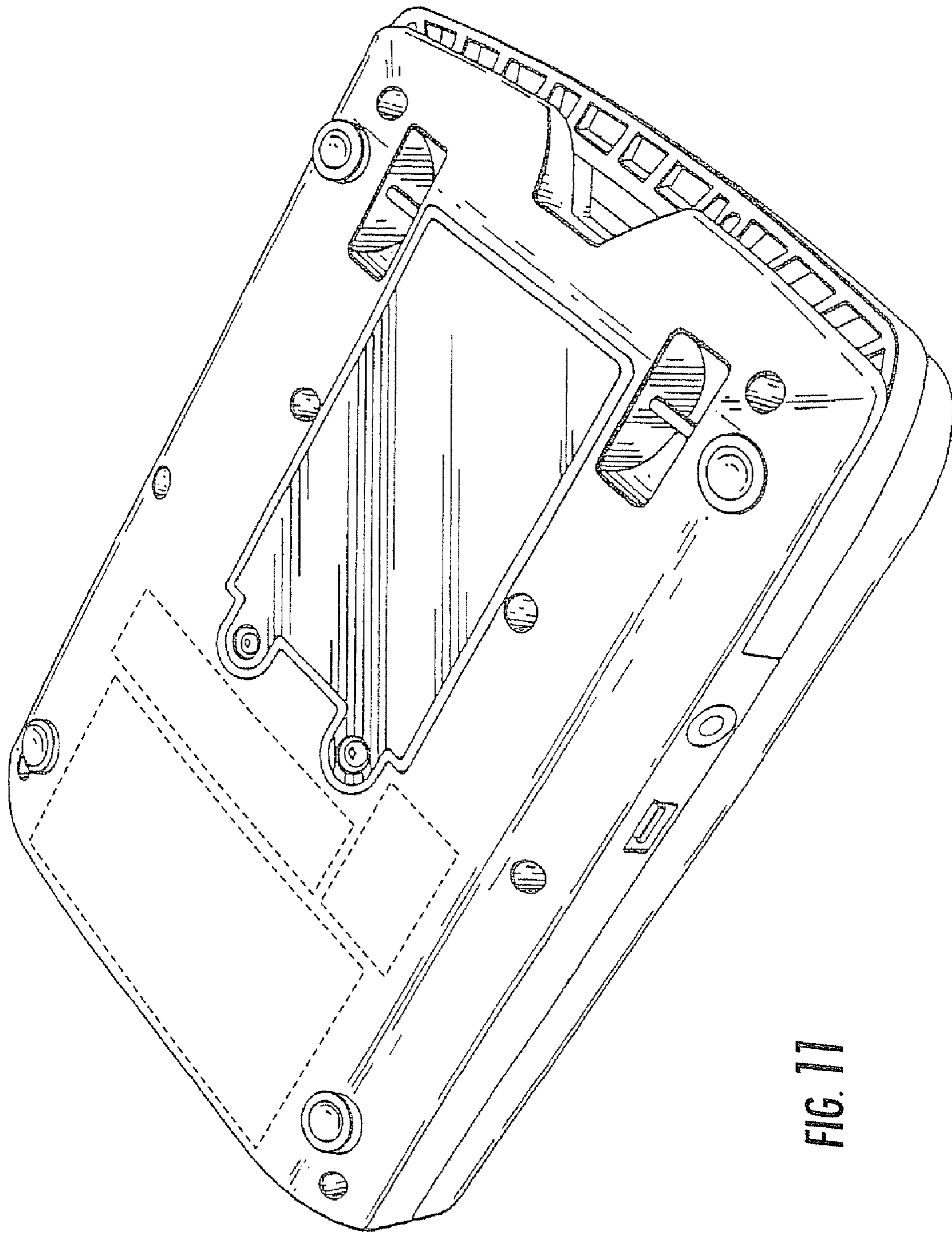


FIG. 17



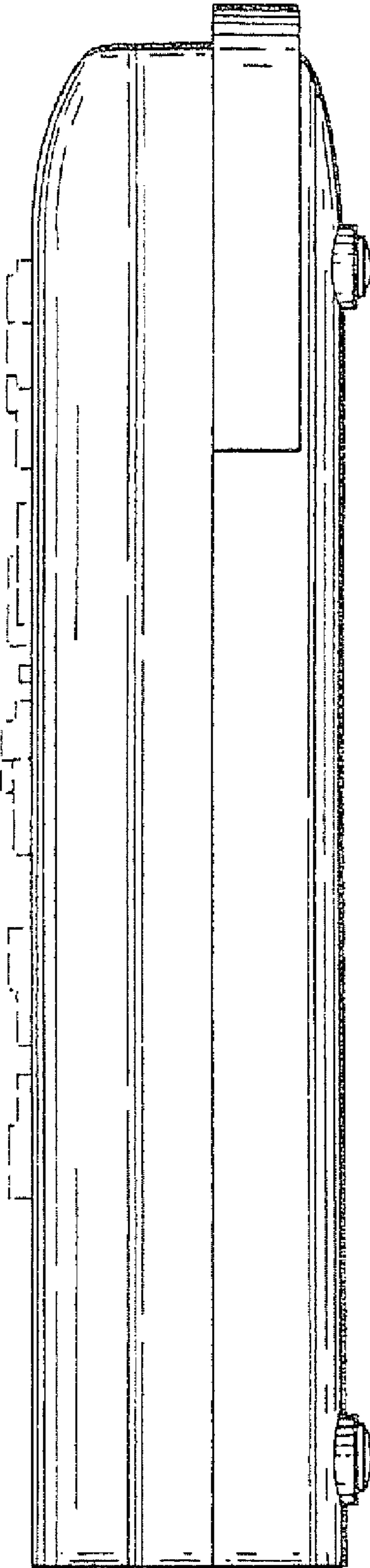


FIG. 12

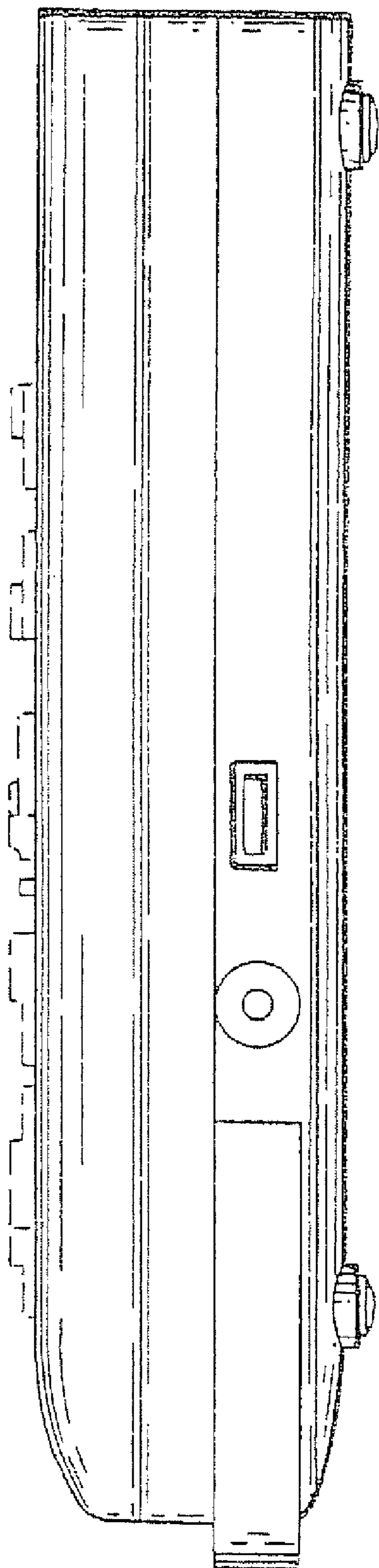
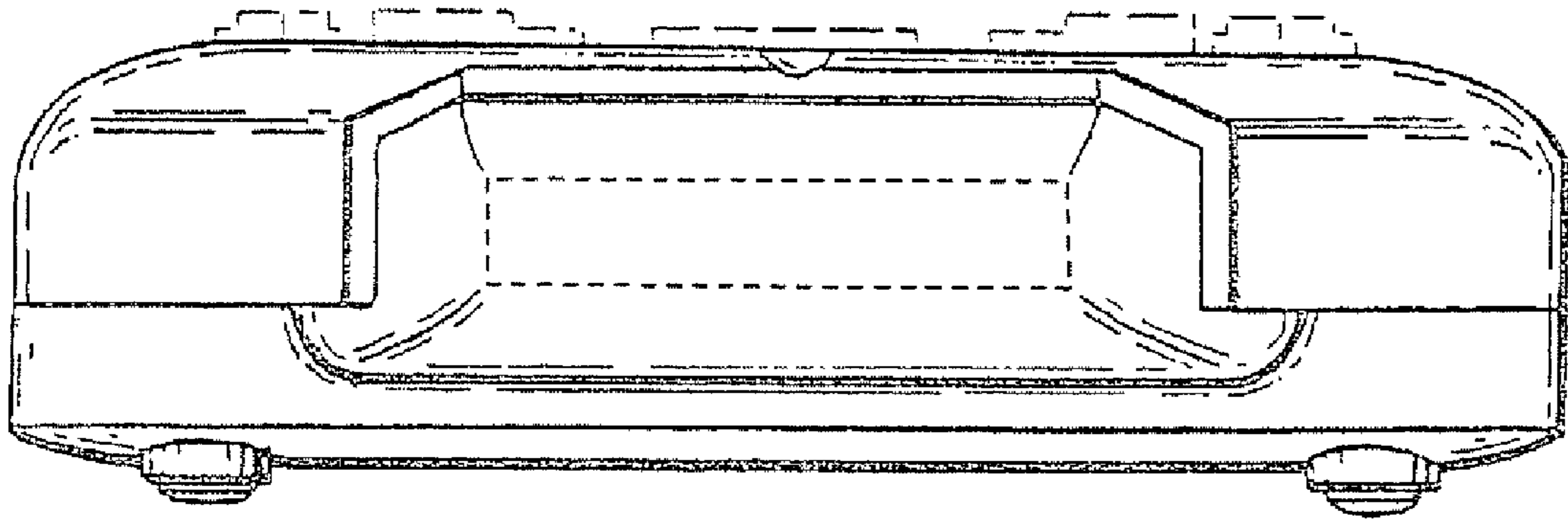
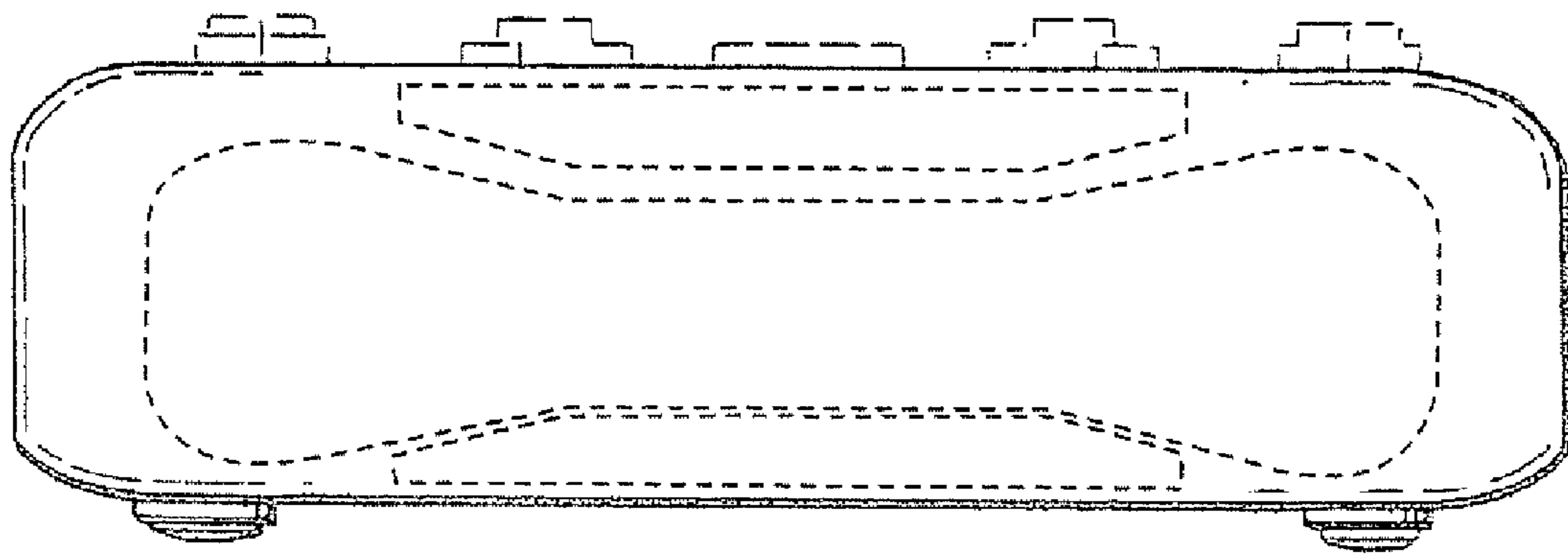


FIG. 13



*FIG. 14*



*FIG. 15*

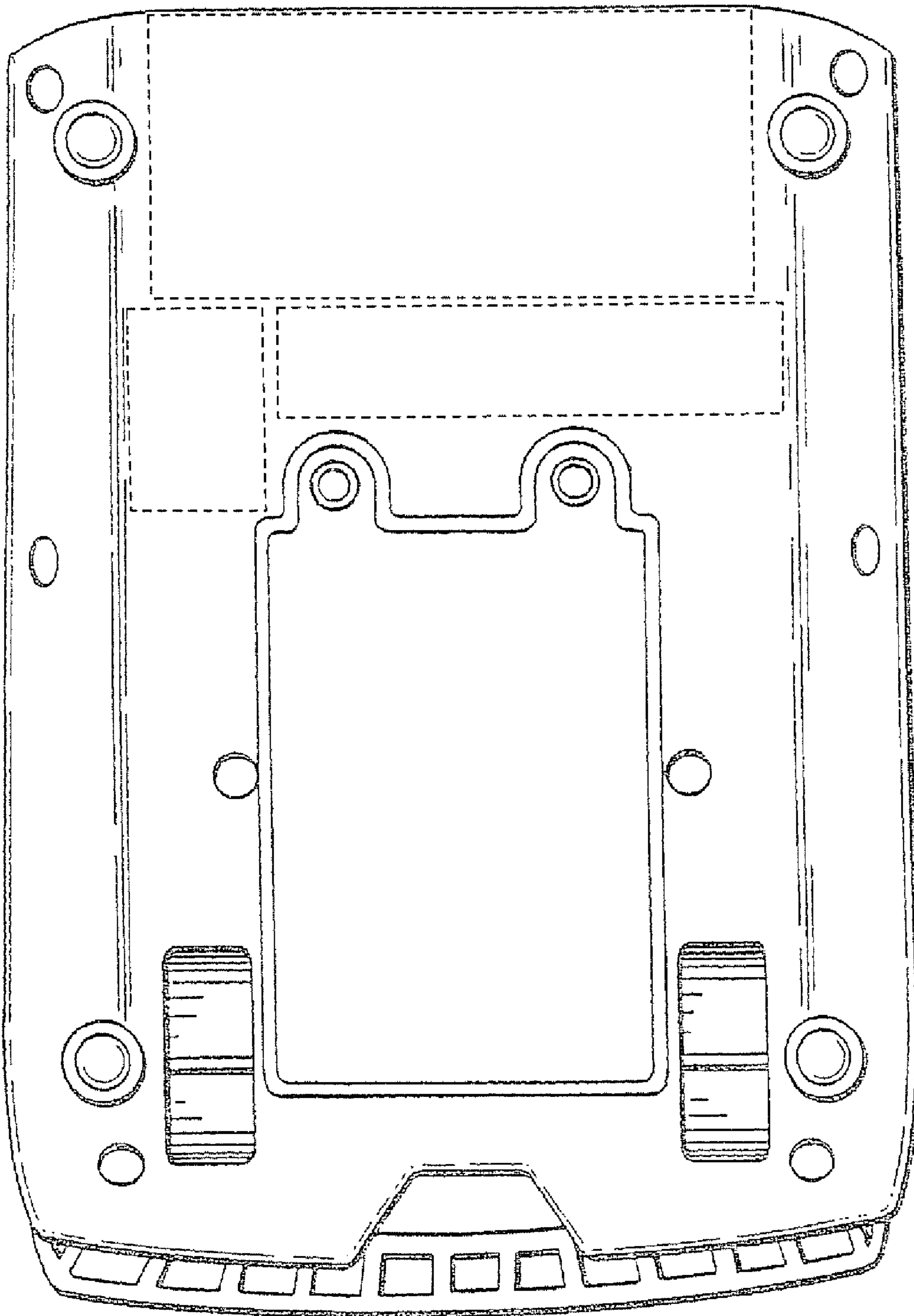


FIG. 16