



US00D582422S

(12) **United States Design Patent**  
**Ikeda et al.**

(10) **Patent No.:** **US D582,422 S**  
(45) **Date of Patent:** **\*\* Dec. 9, 2008**

(54) **KEYBOARD**

(75) Inventors: **John Ikeda**, Seattle, WA (US); **Carl J. Ledbetter**, Mercer Island, WA (US); **Jared Randall**, Seattle, WA (US); **Michael Baseflug**, Duball, WA (US); **Eric Wahl**, Kirkland, WA (US)

(73) Assignee: **Microsoft Corporation**, Redmond, WA (US)

(\*\*) Term: **14 Years**

(21) Appl. No.: **29/278,652**

(22) Filed: **Apr. 5, 2007**

(51) **LOC (8) Cl.** ..... **14-02**

(52) **U.S. Cl.** ..... **D14/454**

(58) **Field of Classification Search** ..... D14/341, D14/342, 343, 344, 345, 346, 347, 454, 455, D14/456, 320, 331, 333, 334, 335, 338, 339, D14/340, 387, 388, 390, 391, 392, 393, 394, D14/396, 397, 39, 399, 400, 401, 406, 426, D14/427, 428, 429, 432, 439, 448, 449, 450, D14/457, 460, 461, 137, 138, 218, 240, 247, D14/248; D10/65; D21/329, 333; D18/7, D18/12.2, 52; 400/485, 486, 489, 88, 522; 341/22; 379/368, 915, 433.07, 903, 433.12; 235/145 R; 345/168, 169, 172; 455/556.2, 455/186.2, 556.1, 575.4; D13/168

See application file for complete search history.

(56) **References Cited**

**U.S. PATENT DOCUMENTS**

D453,758 S \* 2/2002 Han et al. .... D14/401  
D462,354 S \* 9/2002 Kimbre et al. .... D14/392

D474,164 S \* 5/2003 Buessler et al. .... D14/138 AA  
D475,710 S \* 6/2003 Sheehan et al. .... D14/401  
D480,726 S \* 10/2003 Yokota ..... D14/396  
D483,769 S \* 12/2003 Stewart et al. .... D14/455  
D484,887 S \* 1/2004 Stewart et al. .... D14/455  
D487,466 S \* 3/2004 Yokota ..... D14/454  
D507,272 S \* 7/2005 Lodato et al. .... D14/398  
D557,264 S \* 12/2007 Richardson et al. .... D14/399  
D570,356 S \* 6/2008 Ikeda et al. .... D14/454  
2004/0222970 A1 \* 11/2004 Martinez et al. .... 345/169  
2006/0250371 A1 \* 11/2006 Martinez et al. .... 345/168

\* cited by examiner

*Primary Examiner*—Jeffrey D Asch

*Assistant Examiner*—Angela J Lee

(74) *Attorney, Agent, or Firm*—Banner & Witcoff, Ltd.

(57) **CLAIM**

The ornamental design for a keyboard, as shown and described.

**DESCRIPTION**

FIG. 1 is a perspective view of a keyboard showing the new design;

FIG. 2 is a front view thereof;

FIG. 3 is a rear view thereof;

FIG. 4 is a first side view thereof;

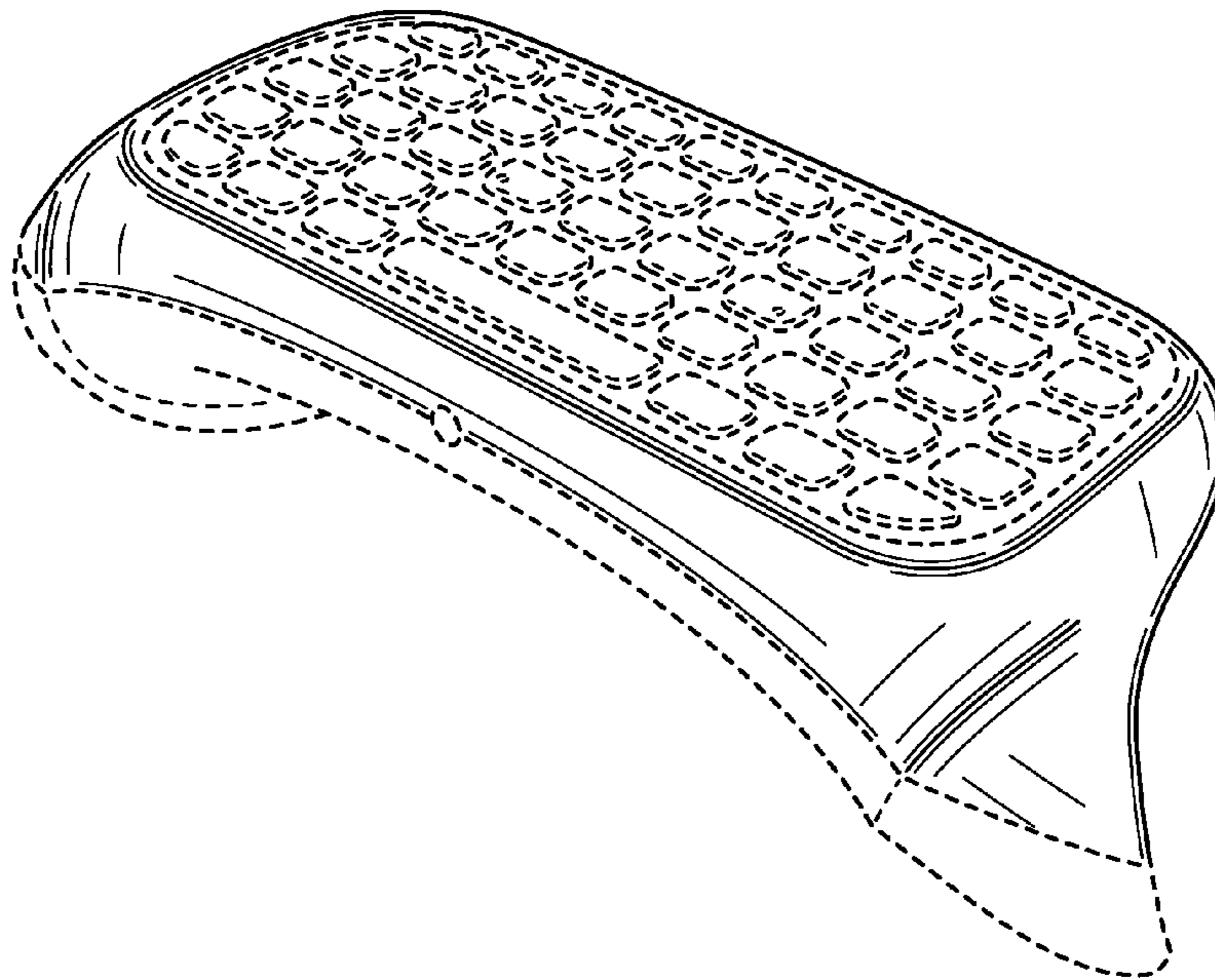
FIG. 5 is a second side view thereof;

FIG. 6 is a top view thereof; and,

FIG. 7 is a bottom view thereof.

The non-shaded broken line regions in FIGS. 1–7 are for the purpose of illustrating portions of the article and form no part of the claimed design.

**1 Claim, 2 Drawing Sheets**



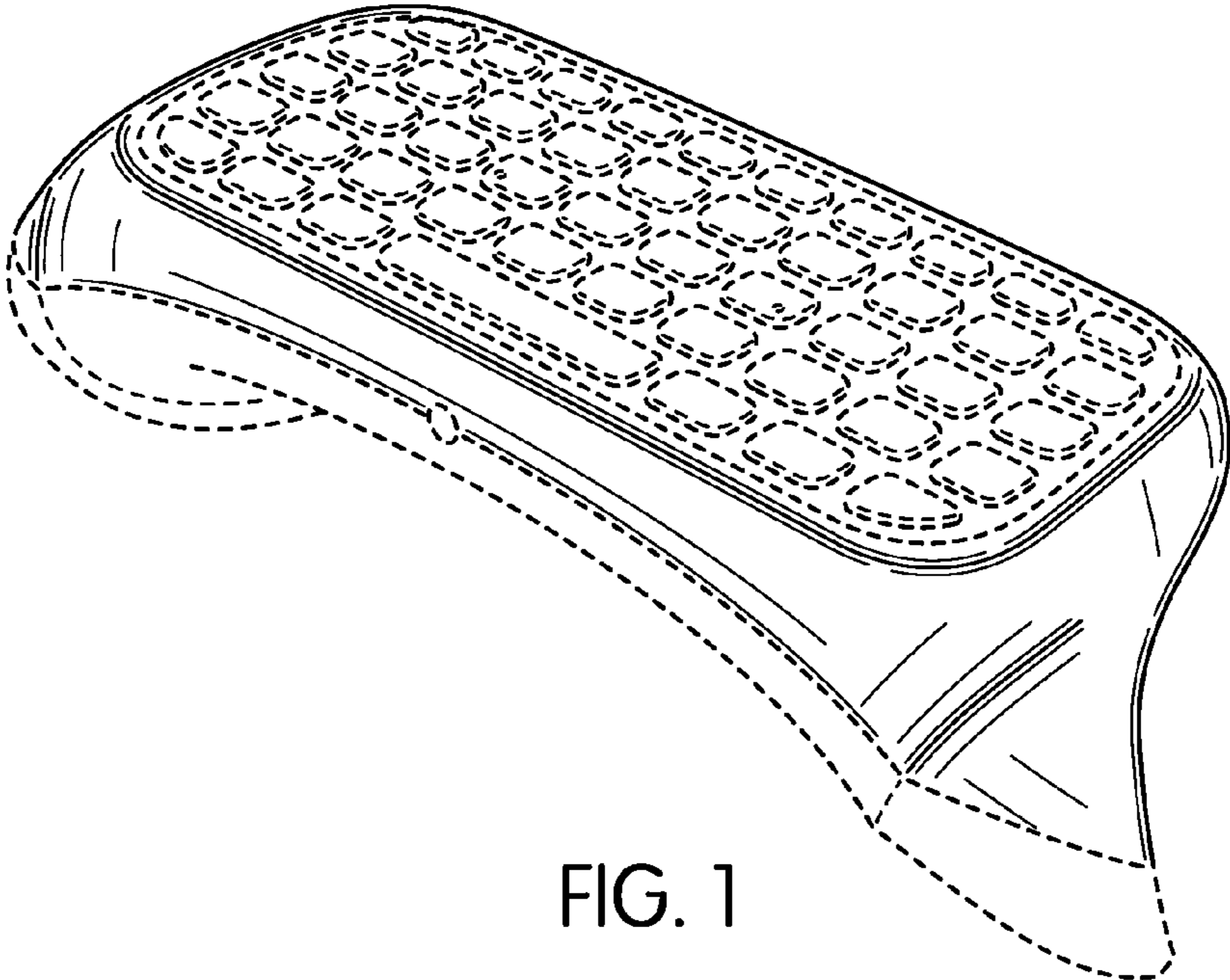


FIG. 1

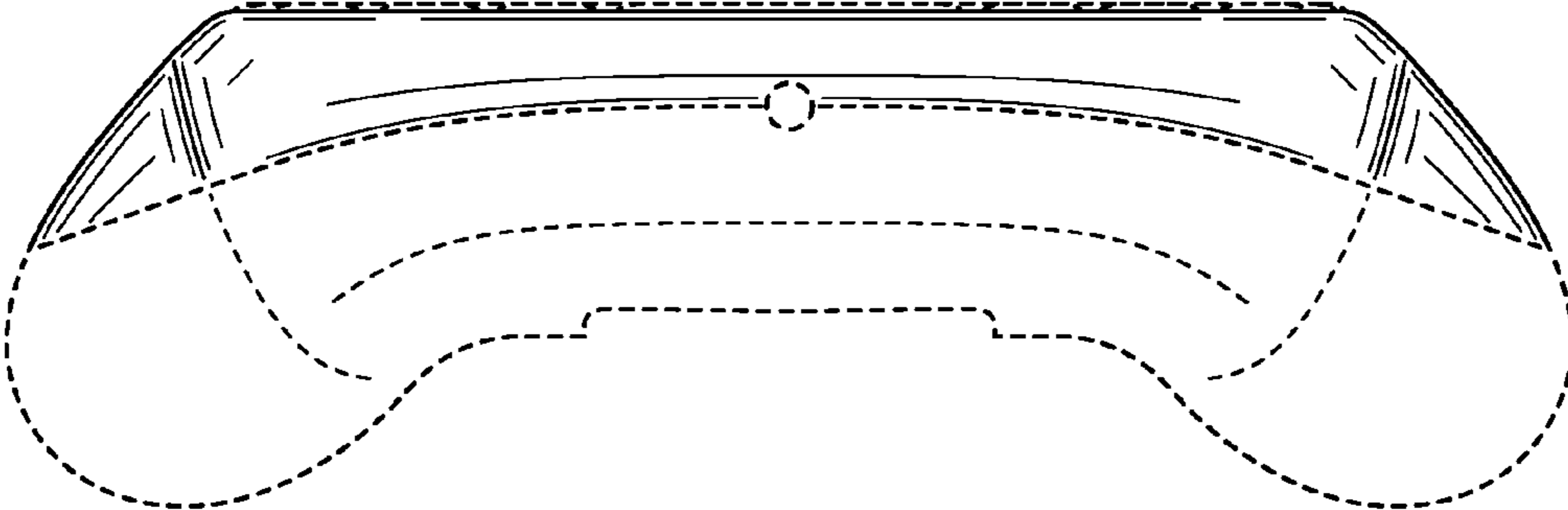


FIG. 2

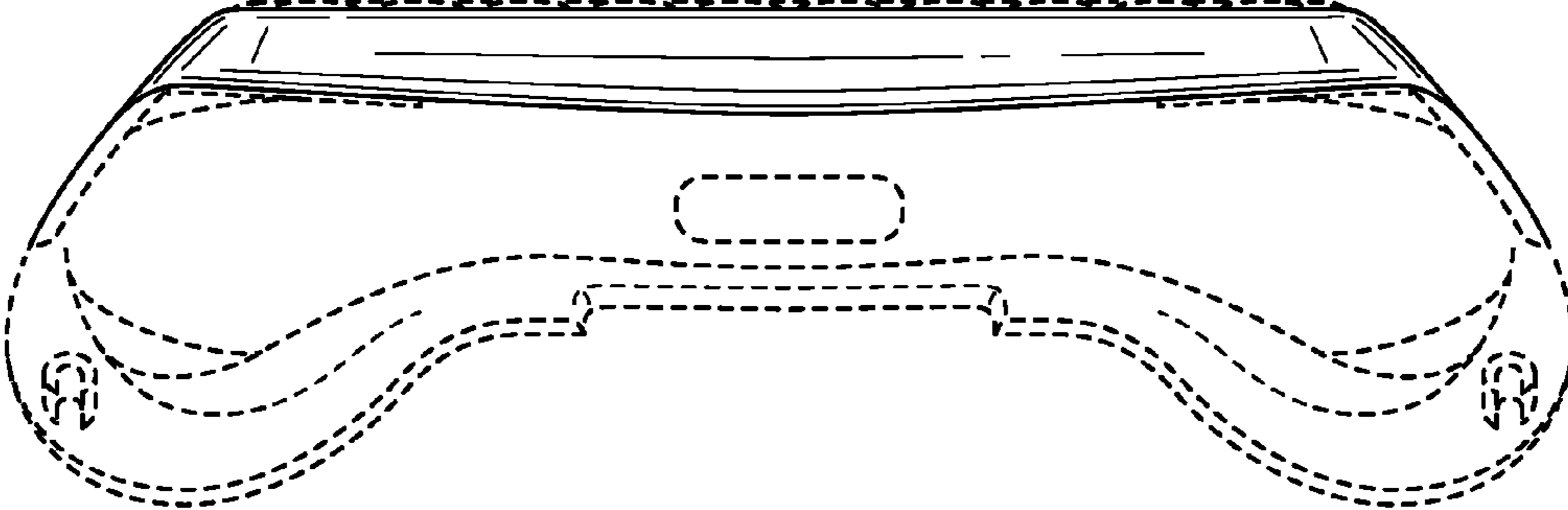


FIG. 3

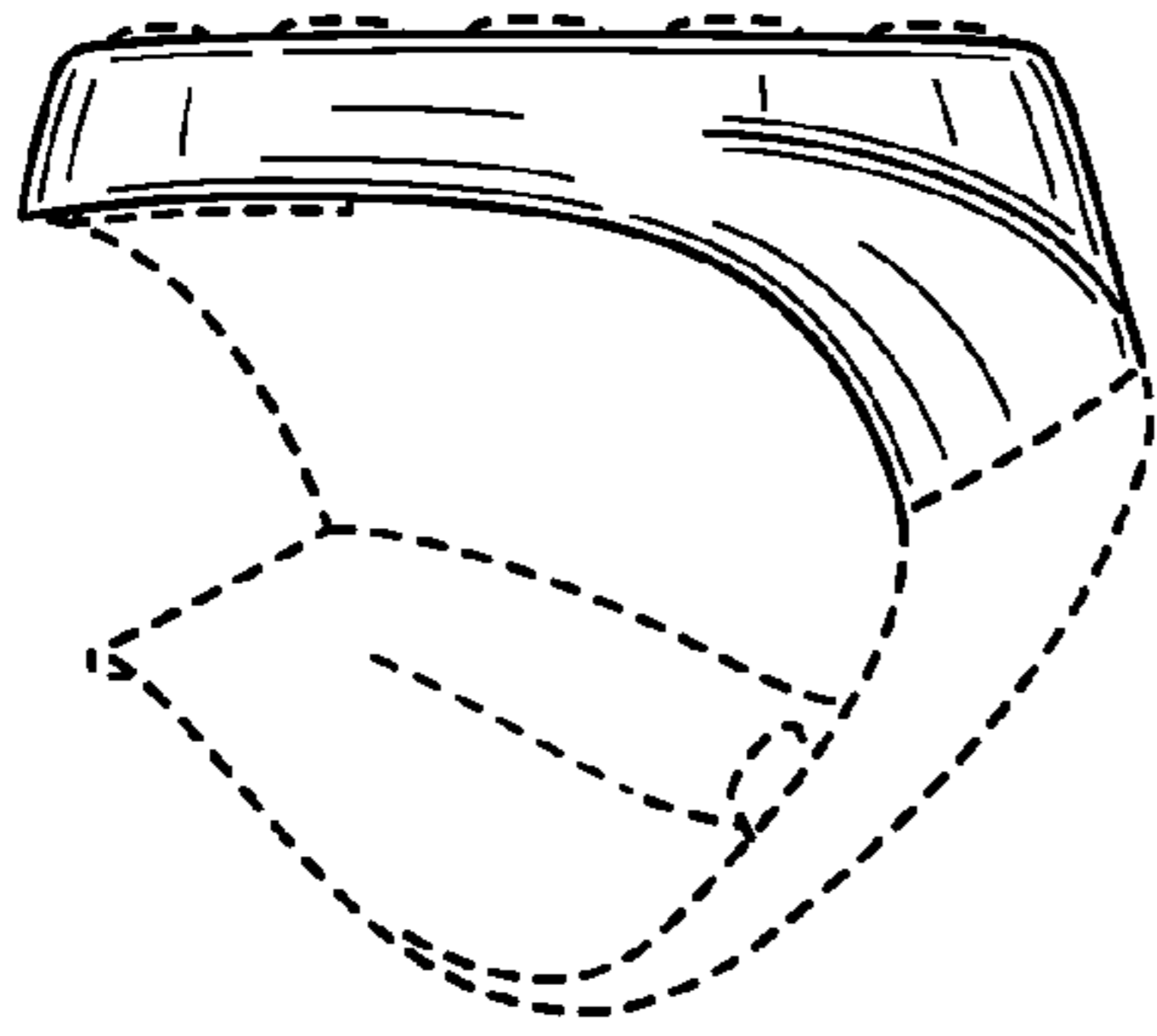


FIG. 4

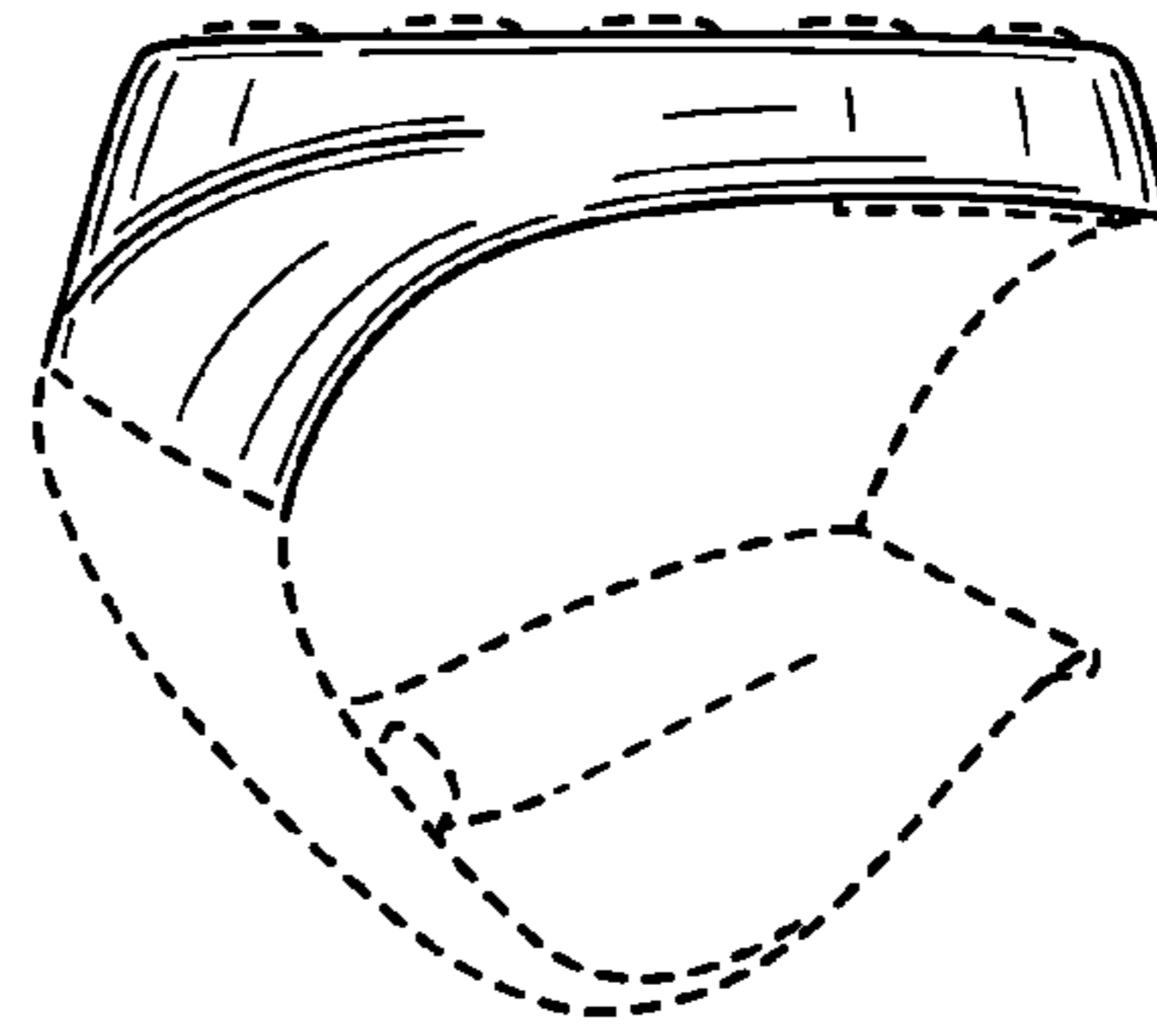


FIG. 5

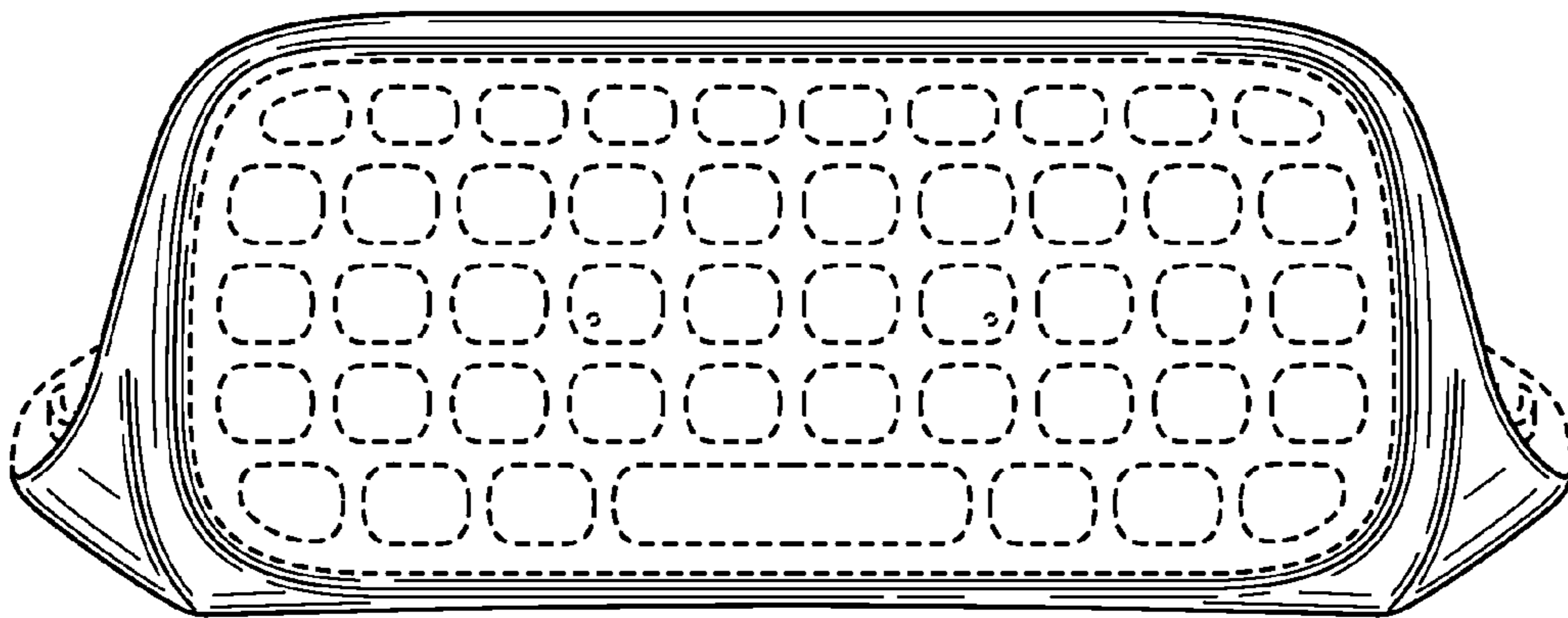


FIG. 6

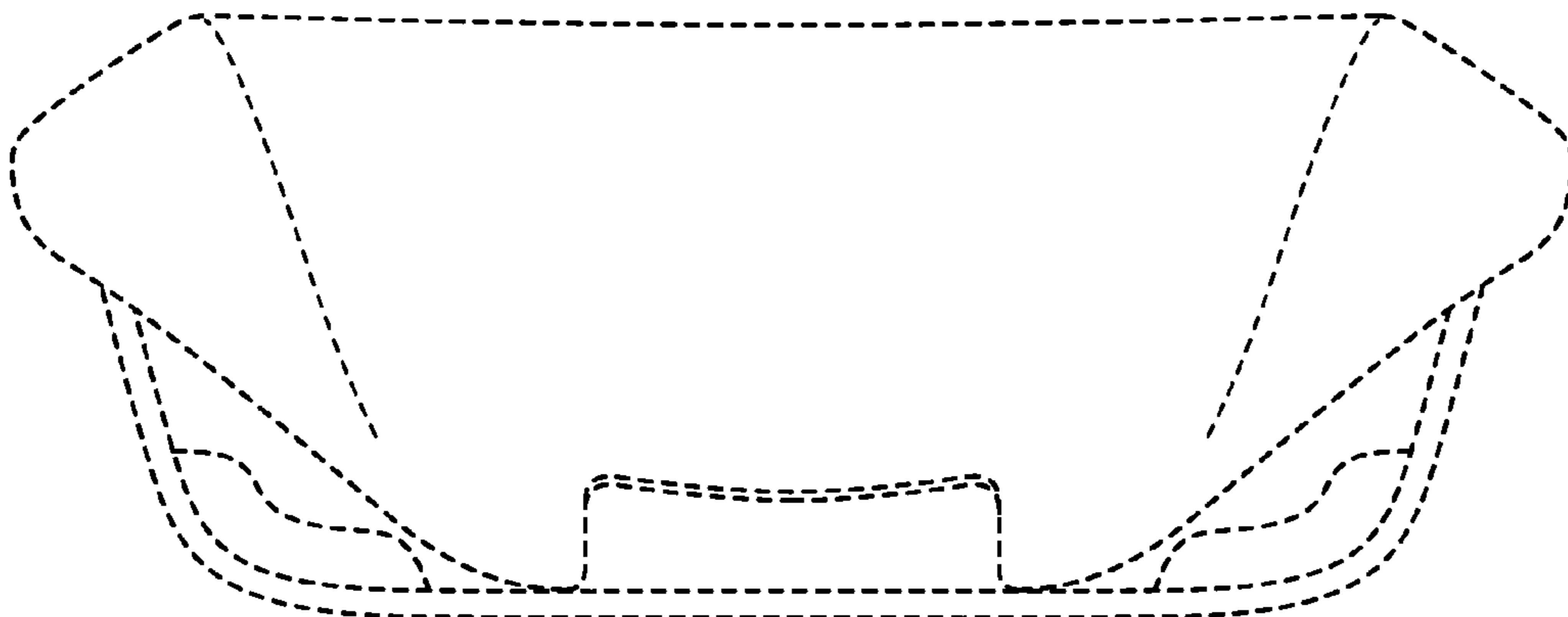


FIG. 7