



US00D582418S

(12) **United States Design Patent**
Kim et al.

(10) **Patent No.:** **US D582,418 S**

(45) **Date of Patent:** **** Dec. 9, 2008**

(54) **USB DONGLE**

(75) Inventors: **Min-Soo Kim**, Seoul (KR); **Yoon-Young Cho**, Seoul (KR); **Gee-Hong Yoon**, Incheon-si (KR)

(73) Assignee: **Samsung Electronics Co., Ltd.**, Suwon-Si (KR)

(**) Term: **14 Years**

(21) Appl. No.: **29/287,896**

(22) Filed: **Sep. 28, 2007**

(51) **LOC (8) Cl.** **14-02**

(52) **U.S. Cl.** **D14/435**

(58) **Field of Classification Search** D14/435,
D14/356, 242, 436, 433, 474, 240, 496, 385,
D14/358; 360/97.01, 685, 686, 752, 737,
360/732, 784, 803; 439/135, 144, 139-141,
439/147, 136, 638, 518, 131; 365/51, 63,
365/131; 710/52, 300, 313; 711/115, 103,
711/154, 161-162; 70/58; 323/210; 713/186,
713/1; 382/124; 235/492; D13/147
See application file for complete search history.

(56) **References Cited**

U.S. PATENT DOCUMENTS

D268,931 S	*	5/1983	Ellis et al.	D14/433
D280,896 S	*	10/1985	Campbell et al.	D14/155
D320,986 S	*	10/1991	Suckley	D14/144
D326,092 S	*	5/1992	Kikuchi et al.	D14/138 G
D358,128 S	*	5/1995	Berry et al.	D13/103
D364,618 S	*	11/1995	Somoza	D14/142
D380,199 S	*	6/1997	Beruscha et al.	D13/184
D380,728 S	*	7/1997	Richards et al.	D13/103

D408,384 S	*	4/1999	Hata et al.	D14/136
D473,207 S	*	4/2003	Tanio	D14/168
D486,484 S	*	2/2004	Bloomberg et al.	D14/248
D486,829 S	*	2/2004	Wang et al.	D14/433
D504,442 S	*	4/2005	Kim	D14/136
D509,819 S	*	9/2005	Yang	D14/156
D511,770 S	*	11/2005	Chung	D14/240
D518,064 S	*	3/2006	Wei	D14/136

* cited by examiner

Primary Examiner—Melanie H Tung

Assistant Examiner—Susan Moon Lee

(74) *Attorney, Agent, or Firm*—Staas & Halsey LLP

(57) **CLAIM**

The ornamental design for a USB dongle, as shown and described.

DESCRIPTION

FIG. 1 is a perspective view of a USB dongle according to our new design;

FIG. 2 is a front elevational view thereof;

FIG. 3 is a rear elevational view thereof;

FIG. 4 is a left side elevational view thereof;

FIG. 5 is a right side elevational view thereof;

FIG. 6 is a top plan view thereof;

FIG. 7 is a bottom plan view thereof; and,

FIG. 8 is a perspective view of the USB dongle according to our new design in a state in which the front cover slides upward to reveal the USB connector and the USB connector rotates outward in order to be used.

1 Claim, 8 Drawing Sheets

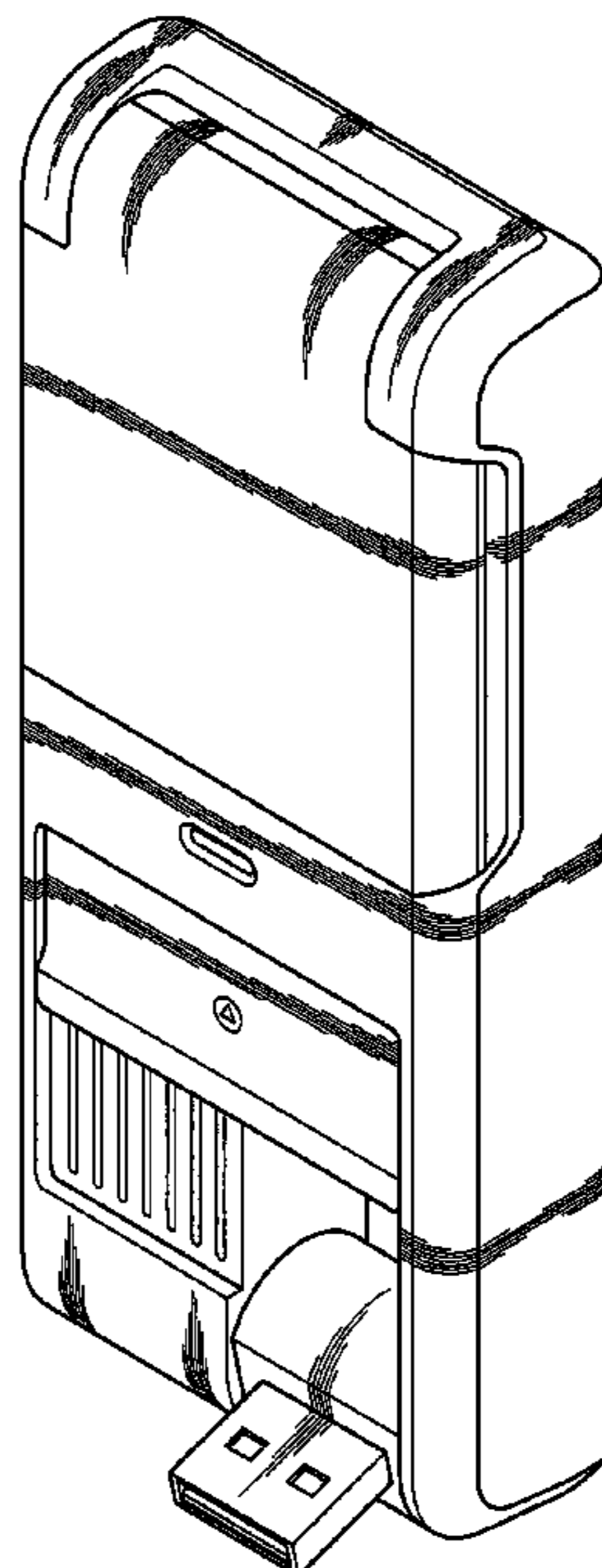


FIG. 1

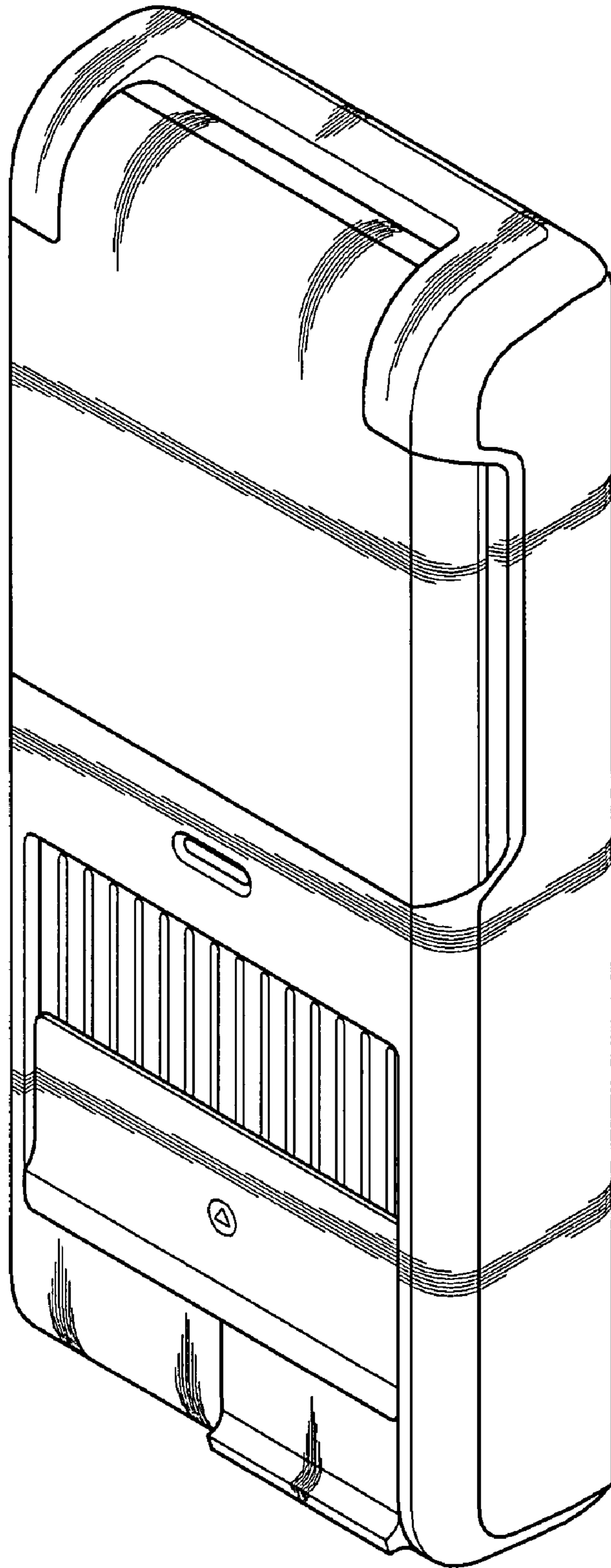


FIG.2

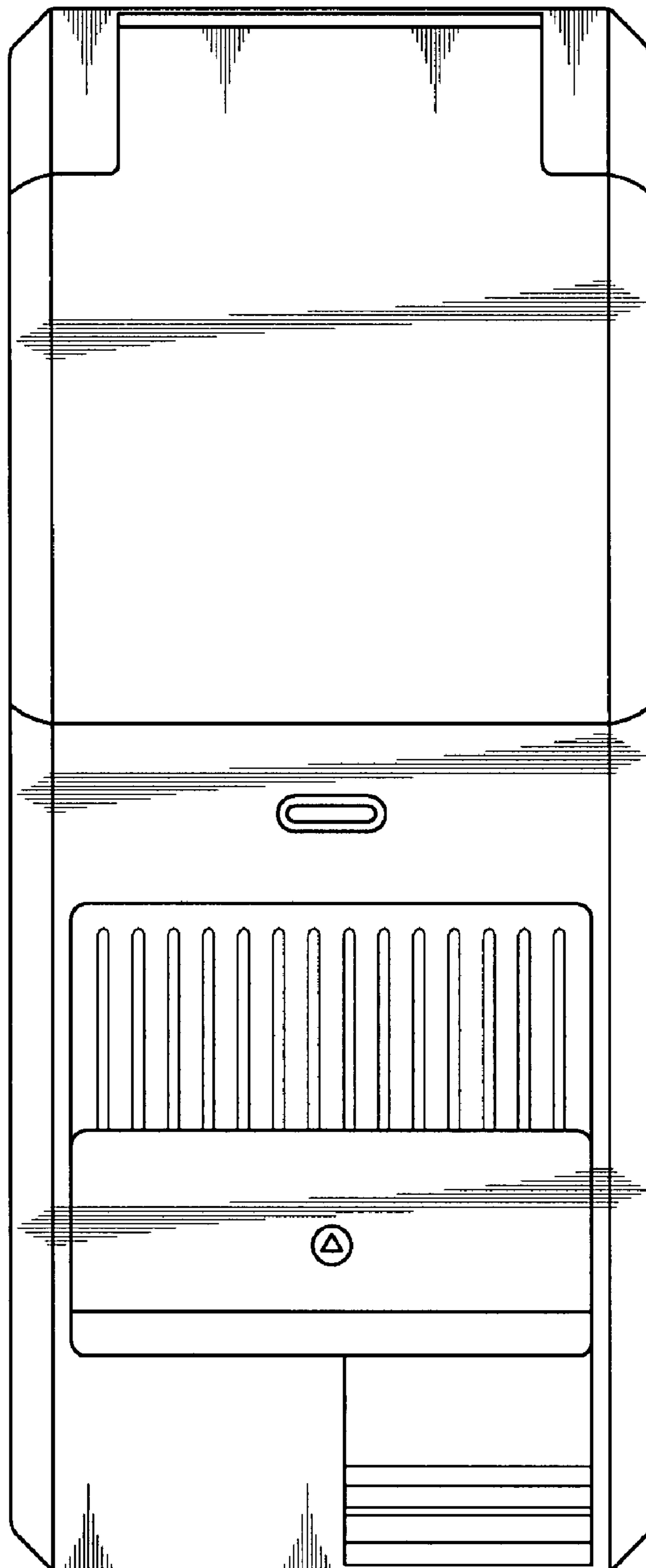


FIG.3

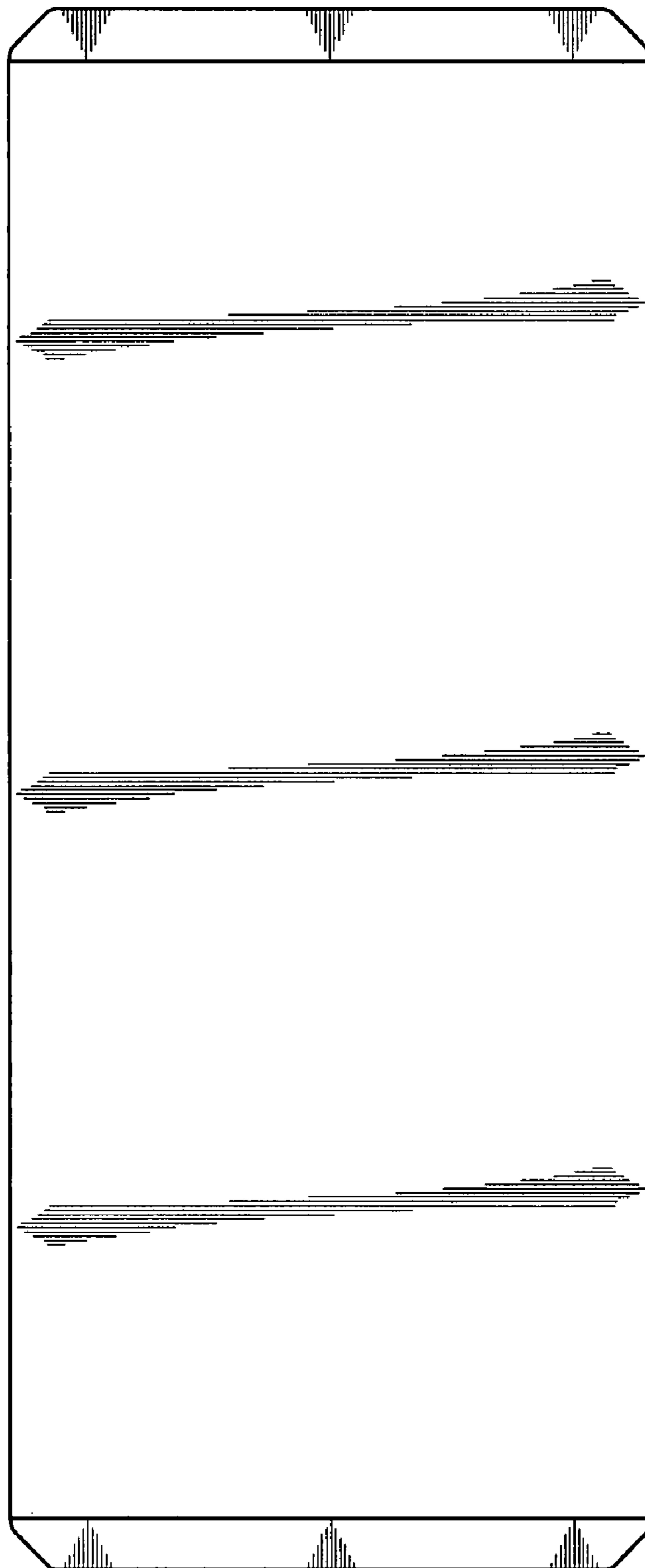


FIG.4

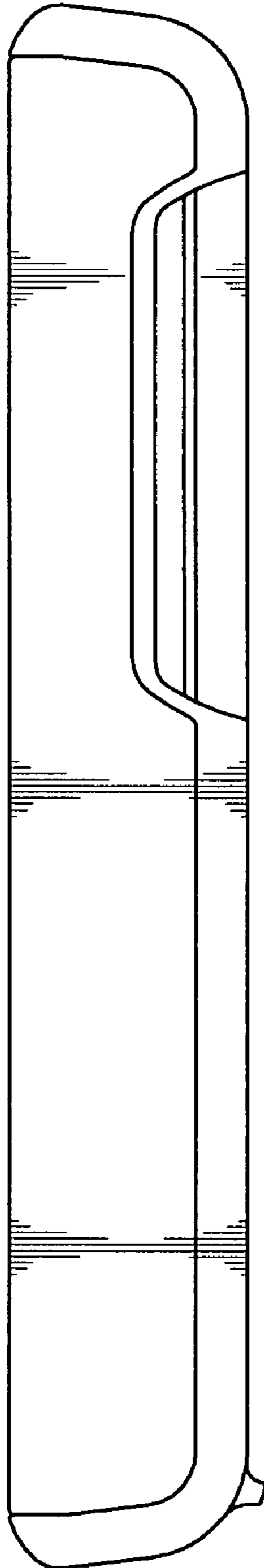


FIG.5

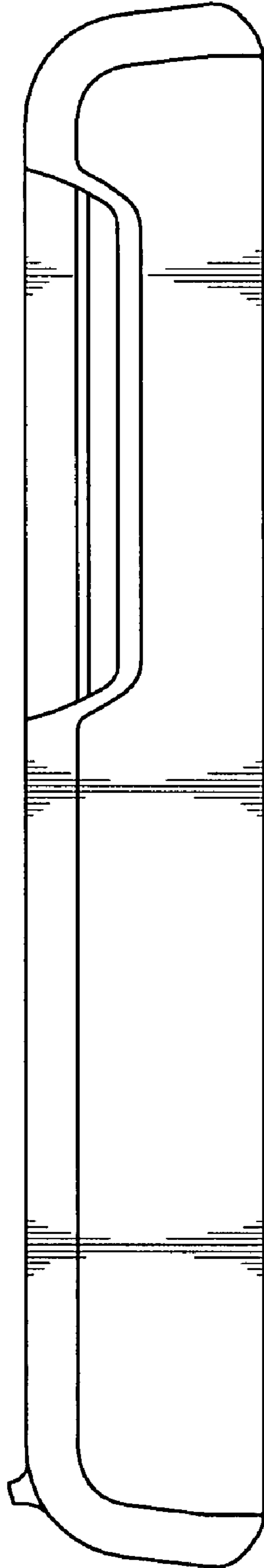


FIG.6

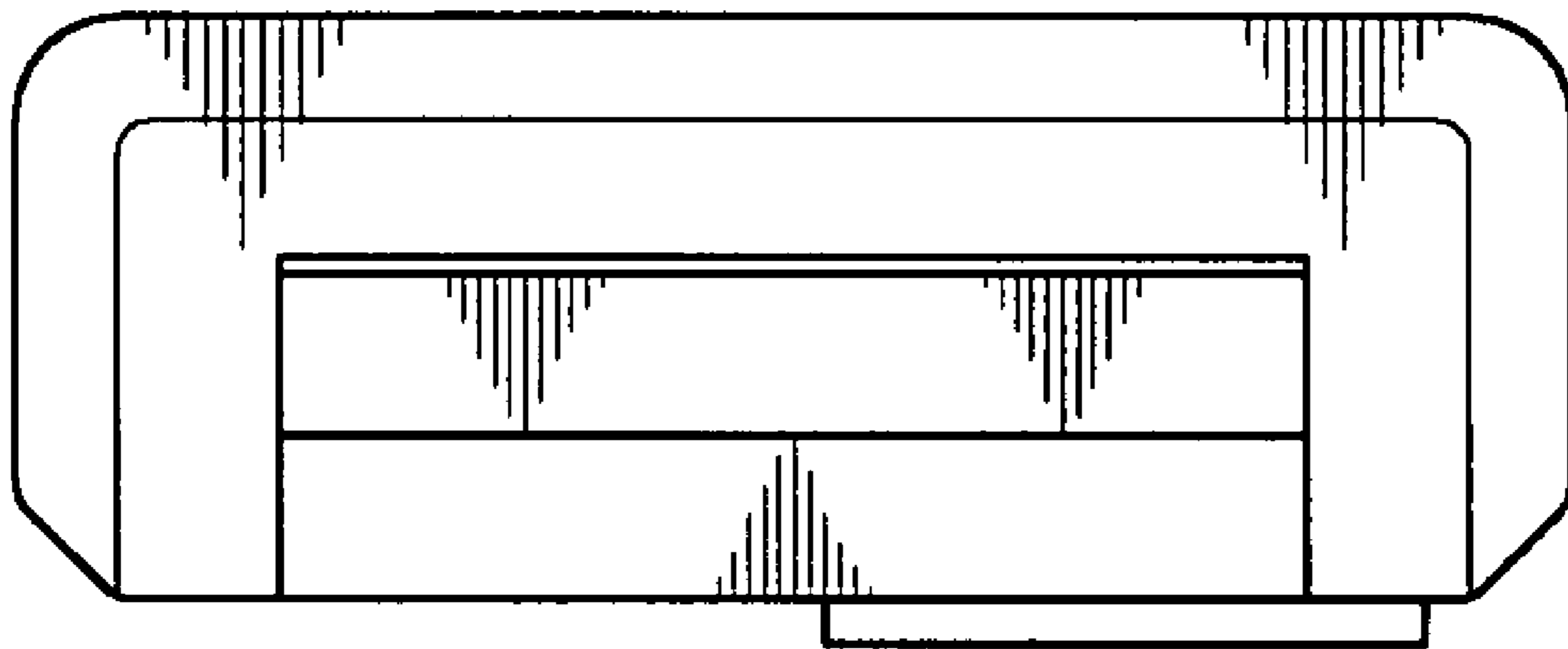


FIG. 7

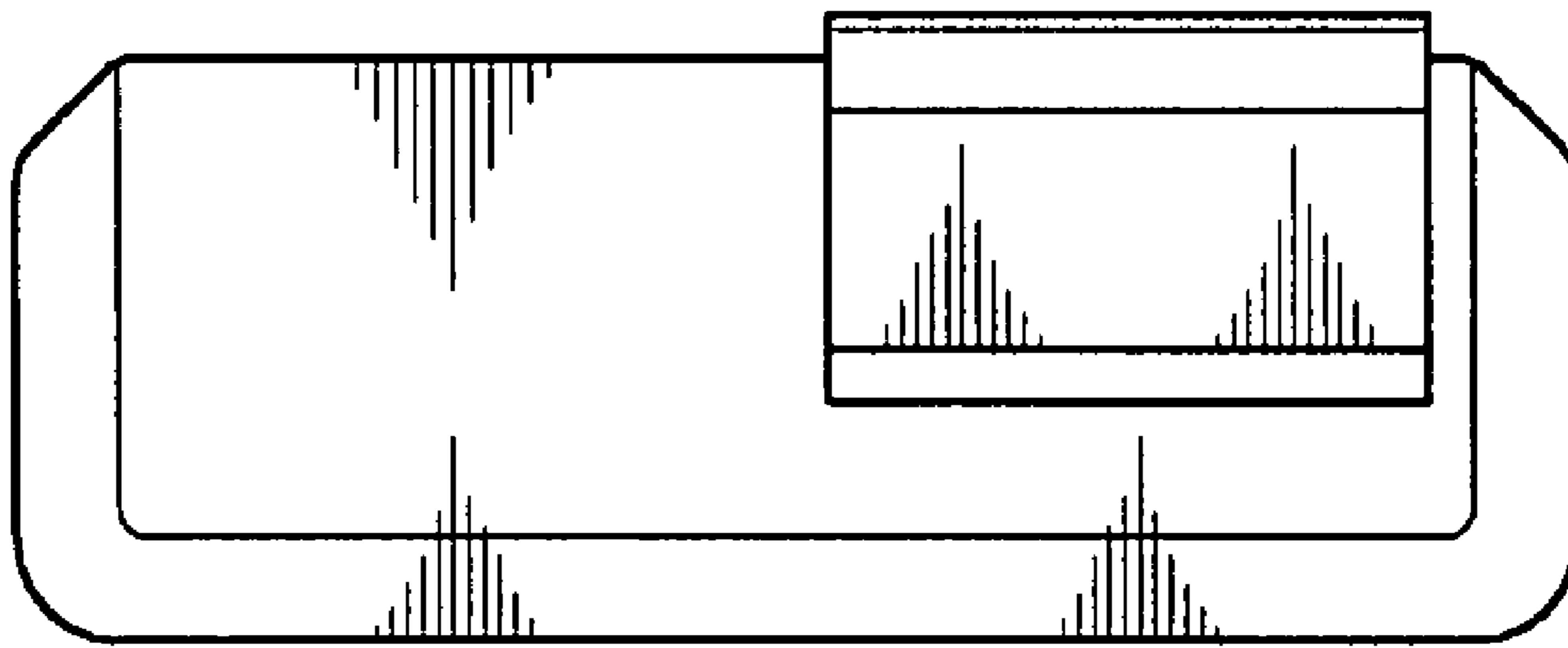


FIG.8

