



US00D582417S

(12) **United States Design Patent**
Sheba et al.

(10) **Patent No.:** **US D582,417 S**
(45) **Date of Patent:** **** Dec. 9, 2008**

(54) **MEDIA DEVICE CRADLE**
(75) Inventors: **Yaron Sheba**, Mountain View, CA (US);
Moshe Raines, Kfar Saba (IL); **David**
Koren, Raanana (IL)

(73) Assignee: **SanDisk Corporation**, Milpitas, CA
(US)

(**) Term: **14 Years**

(21) Appl. No.: **29/292,398**

(22) Filed: **Oct. 9, 2007**

(51) **LOC (8) Cl.** **14-02**

(52) **U.S. Cl.** **D14/434**; D14/217; D14/496

(58) **Field of Classification Search** D14/434,
D14/447, 432, 385, 357, 149, 457, 253, 251,
D14/356, 137, 138, 107, 155; D13/199,
D13/107, 108, 118, 109, 110, 119, 184; 361/600,
361/679, 683, 686; 200/6 R; 206/701; 320/113–115,
320/107; 379/426; 455/557, 556.1, 556.2,
455/573; 345/156, 901, 905; 439/374, 131,
439/529, 534, 929, 346, 31, 640; 235/472.01;
248/309.1, 221.11; 429/100; D21/333, 392;
D19/65; 24/303; D8/395

See application file for complete search history.

(56) **References Cited**

U.S. PATENT DOCUMENTS

D327,868 S * 7/1992 Oka D13/110
D337,984 S * 8/1993 Lindahl D13/103
D371,770 S * 7/1996 Larson et al. D14/242
D385,283 S * 10/1997 Snyder et al. D14/253
D388,803 S * 1/1998 Shinano D16/202

D413,879 S * 9/1999 Wu D14/436
D420,671 S * 2/2000 Jacobsen et al. D14/240
D427,587 S * 7/2000 Jacobsen et al. D14/240
D452,496 S * 12/2001 Murnaghan et al. D14/242
D480,962 S * 10/2003 Lee D9/415
D483,016 S * 12/2003 Ma D13/108
D487,453 S * 3/2004 Ribeiro et al. D14/240
D524,315 S * 7/2006 Reusing et al. D14/434
D524,315 S * 7/2006 Reusing et al. D14/434

OTHER PUBLICATIONS

“SanDisk Unveils USBTV—First Digital ‘Flash DVD Player’ for Porting Personal Video and Movies from Home PC to Home TV”, <http://www.sandisk.com/Corporate/PressRoom/PressReleases/PressRelease.aspx?ID=3678>, Jan. 8, 2007, 2 pages.

(Continued)

Primary Examiner—Melanie H Tung

Assistant Examiner—Susan Moon Lee

(74) *Attorney, Agent, or Firm*—Brinks Hofer Gilson & Lione

(57) **CLAIM**

The ornamental design for a media device cradle, substantially as shown and described.

DESCRIPTION

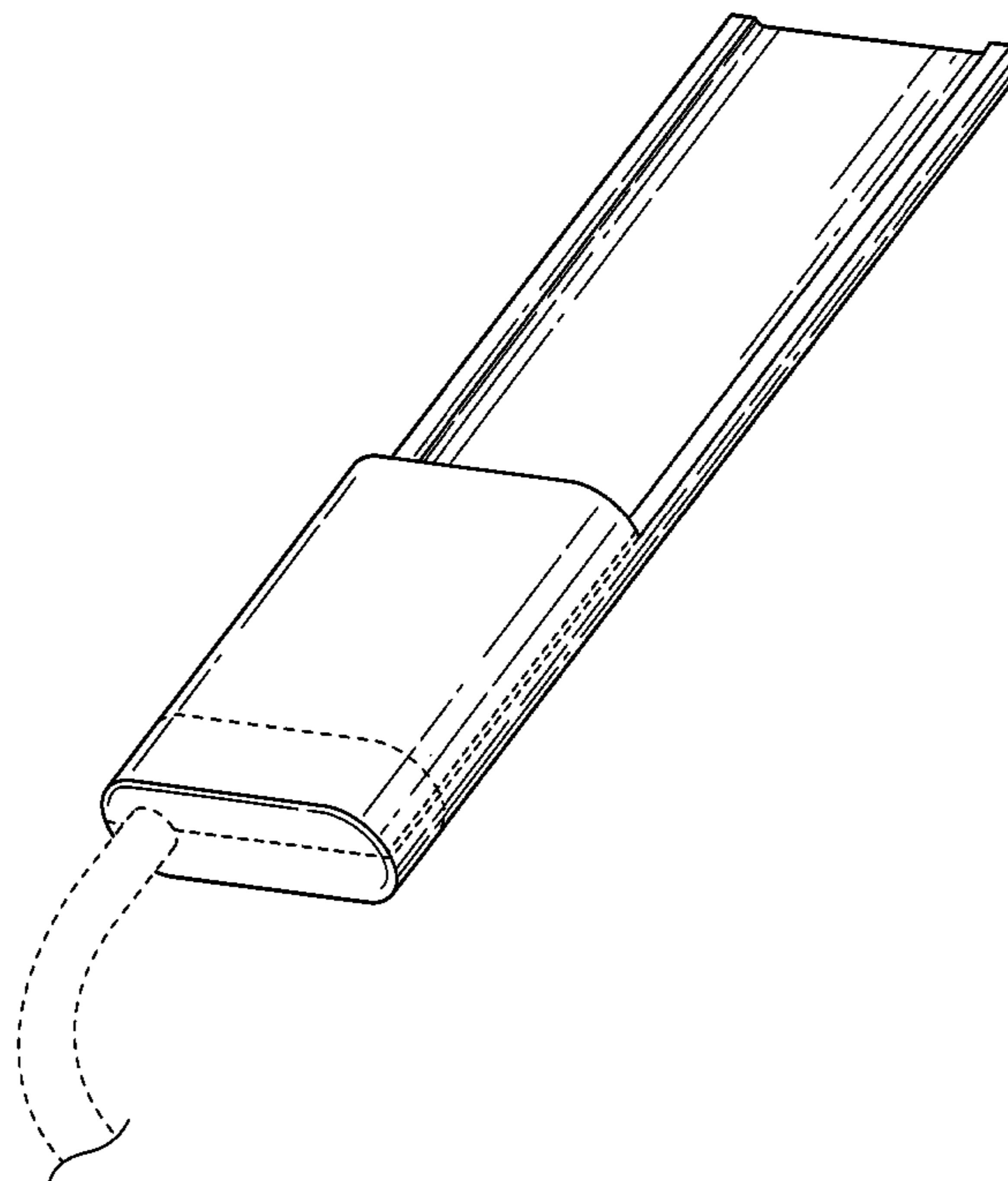
FIG. 1 is a perspective view of a media device cradle showing our design;

FIG. 2 is a top plan view thereof;

FIG. 3 is a right side elevation view thereof

FIG. 4 is a bottom plan view thereof; lines in the drawings. The broken line matter in the drawings is not claimed.

1 Claim, 4 Drawing Sheets



OTHER PUBLICATIONS

Eran Erez, Ran Carmeli, Moshe Raines, Yitzhak Pomerantz, "Dongle Joystick", filed Mar. 12, 2007 as U.S. Appl. No. 11/716,648.

Itzhak Pomerantz, Tavi Salomon, "USB Connecting System and Method", filed Jul. 31, 2006 as U.S. Appl. No. 11/495,627.

Moshe Raines, "UFD—Accommodating Multimedia System", filed Feb. 27, 2007 as U.S. Appl. No. 11/710,925.

Moshe Raines, "Dual Mode Digital Multimedia Connector", filed May 14, 2007 as U.S. Appl. No. 11/747,928.

Moshe Raines, "Dual Mode Digital Multimedia Connector", filed May 14, 2007 as U.S. Appl. No. 11/747,929.

Moshe Raines, Dov Moran, Avraham Meir, Eli Harari, David Koren, Ran Carmeli, "Dongle-Based Multimedia Player", filed Feb. 27, 2007 as U.S. Appl. No. 11/710,988.

Moshe Raines, Itzhak Pomerantz, "A Multipin Plug Pin Layout", filed Aug. 18, 2007 as U.S. Appl. No. 29/264,743.

Moshe Raines, Itzhak Pomerantz, "A Pin-Pair Layout for a Multipin Mating Connector", filed Nov. 11, 2006 as U.S. Appl. No. 29/265,841.

Moshe Raines, Itzhak Pomerantz, Yaron Shiba, "An 'M' Shaped Recess in a Standard USB Connector Shell", filed Nov. 11, 2006 as U.S. Appl. No. 29/265,847.

Moshe Raines, Ran Carmeli, "Remotely Controllable Media Distribution Device", filed Feb. 27, 2007 as U.S. Appl. No. 11/710,908.

Moshe Raines, Tavi Salomon, Itzhak Pomerantz, "A Digital Rights Management Connector", filed Nov. 22, 2006 as U.S. Appl. No. 11/562,430.

Moshe Raines, Tavi Salomon, Shemmer Choresh, Avi Goldstein, "Functionally Adoptable Multipin Connecting System", filed Feb. 10, 2006 as U.S. Appl. No. 60/771,794.

Nitzan Achsaf, Moshe Raines, Alon Ziegler, Itzhak Pomerantz, "Internal UFD", filed Oct. 19, 2006 as U.S. Appl. No. 11/550,813.

* cited by examiner

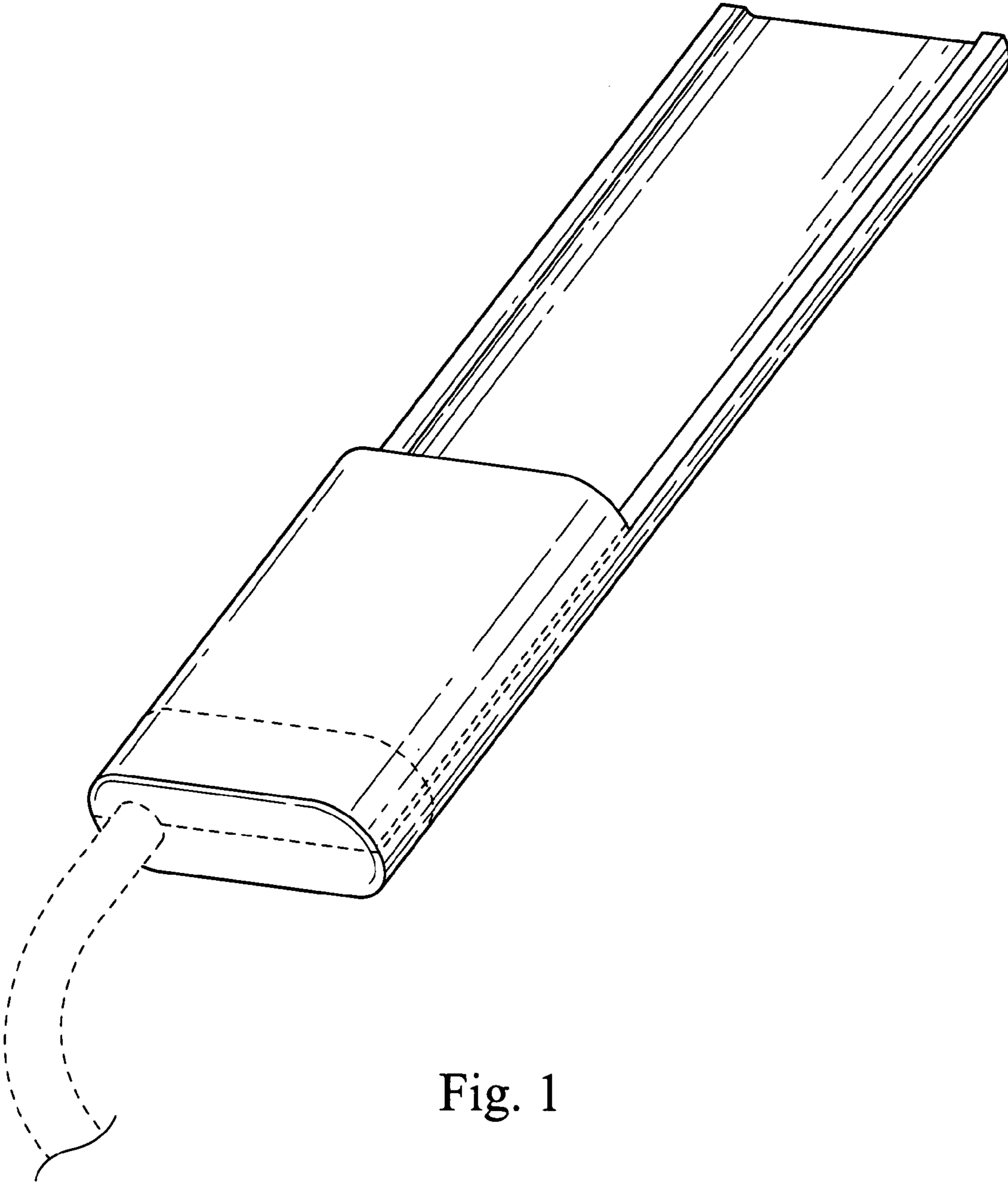


Fig. 1

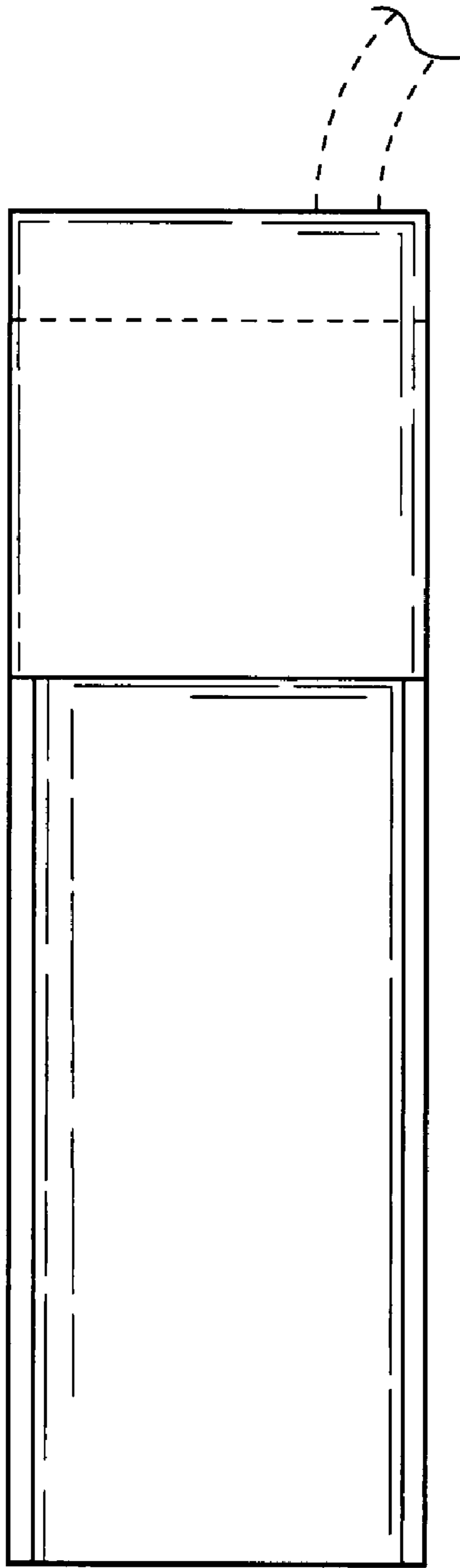


Fig. 2



Fig. 3

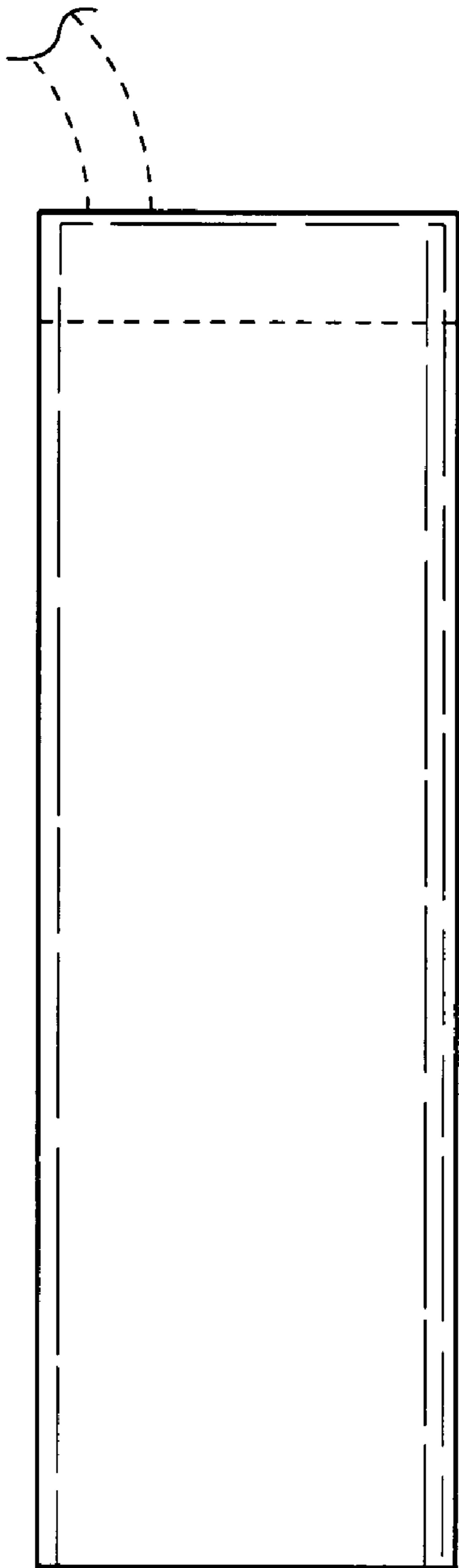


Fig. 4



Fig. 5

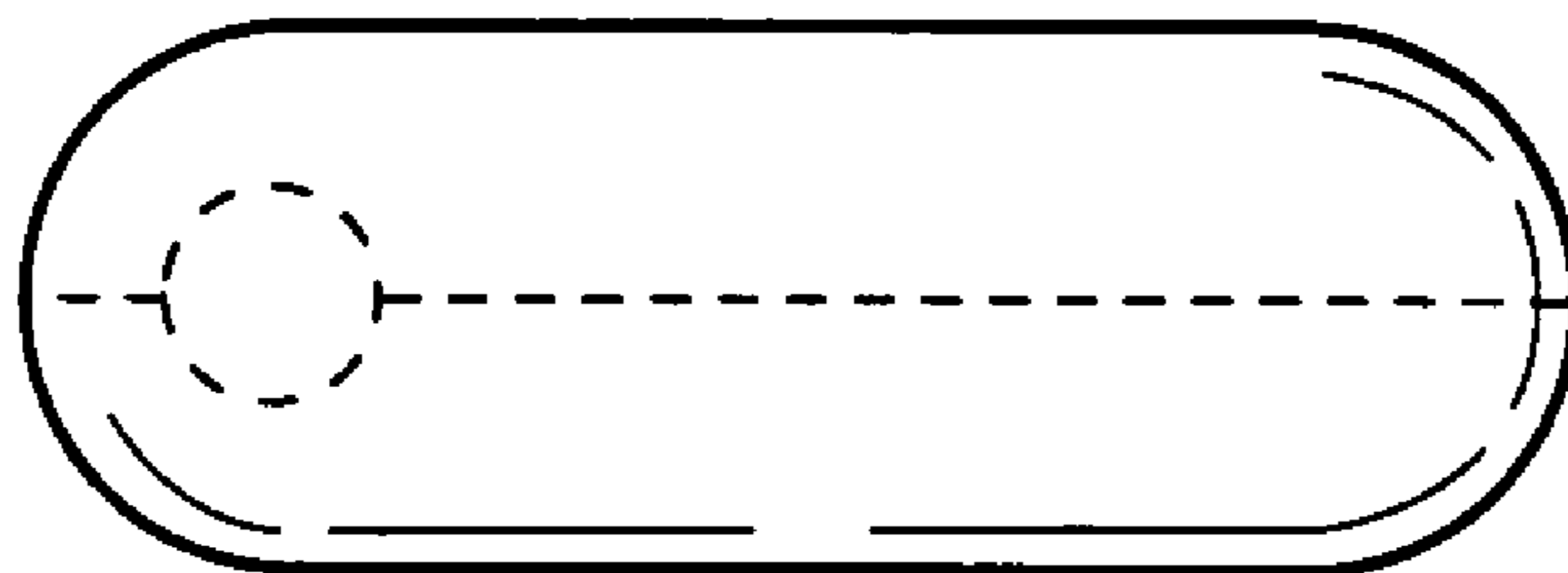


Fig. 6

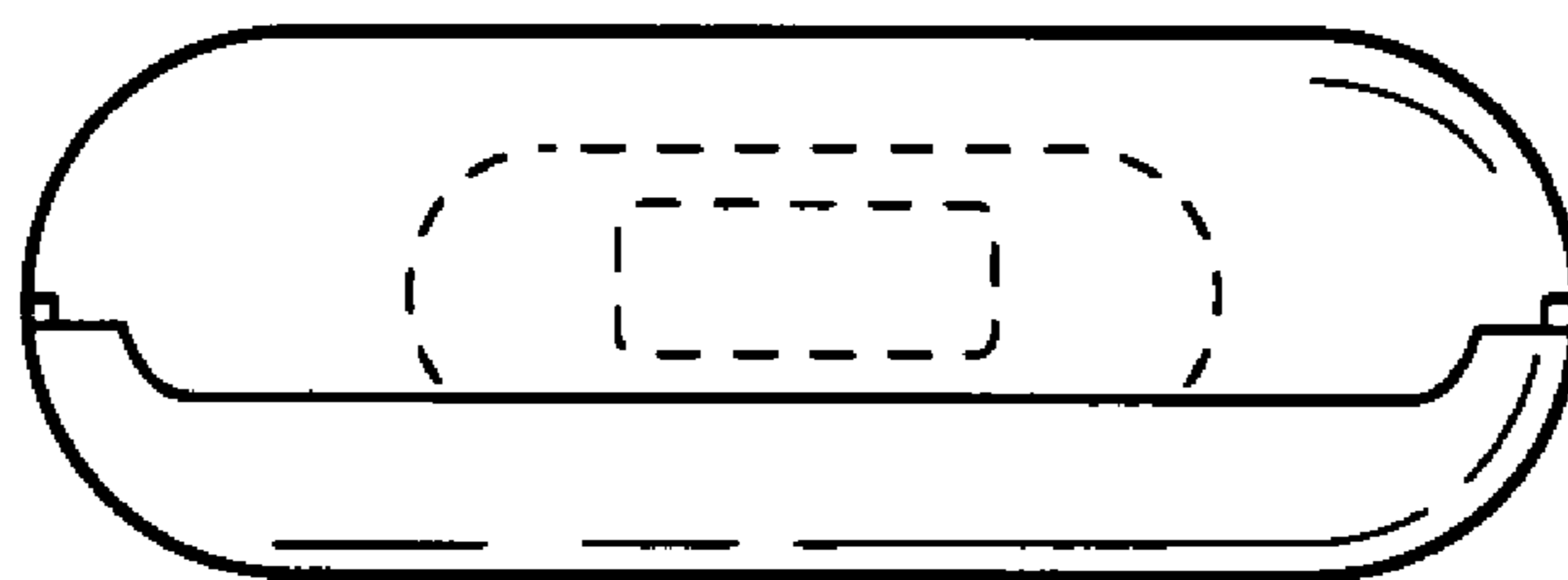


Fig. 7

UNITED STATES PATENT AND TRADEMARK OFFICE
CERTIFICATE OF CORRECTION

PATENT NO. : Des. 582,417 S
APPLICATION NO. : 29/292398
DATED : December 9, 2008
INVENTOR(S) : Yaron Sheba et al.

Page 1 of 1

It is certified that error appears in the above-identified patent and that said Letters Patent is hereby corrected as shown below:

On the Title Page

In the right column, line 4, under “**DESCRIPTION**”, immediately after “elevation view thereof” insert --;--.

In the right column, line 5, under “**DESCRIPTION**”, delete “lines in the drawings.”

In the right column, after line 5 and before “The broken line matter...”, under “**DESCRIPTION**”, insert the following.

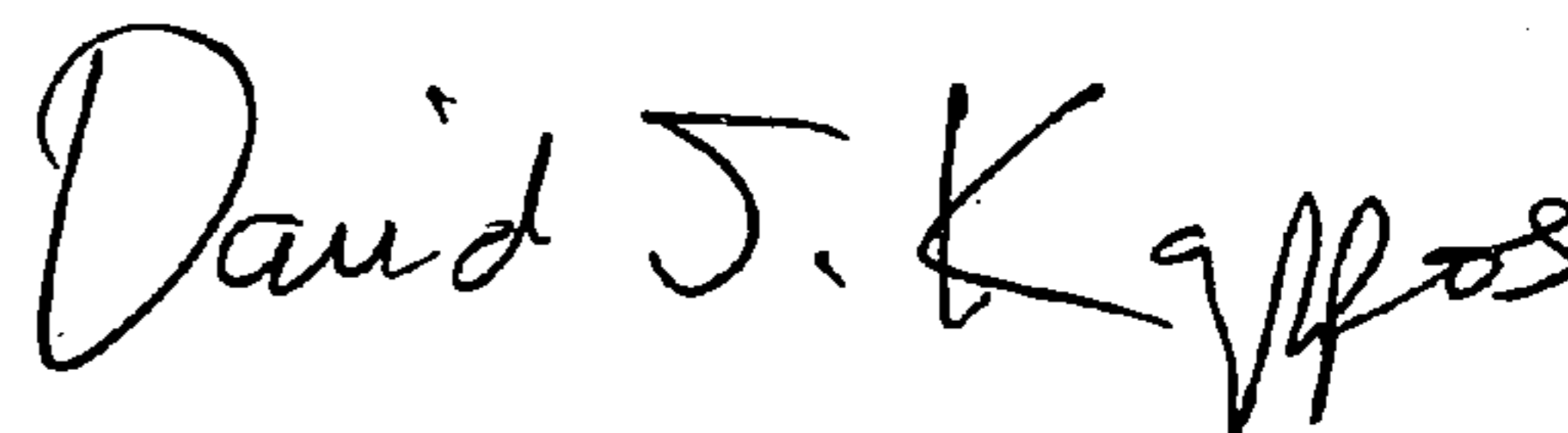
--FIG. 5 is a left side elevation view thereof;

FIG. 6 is a front elevation view thereof; and

FIG. 7 is a rear elevation view thereof.--

Signed and Sealed this

Fifth Day of October, 2010



David J. Kappos
Director of the United States Patent and Trademark Office