



US00D582415S

(12) **United States Design Patent**
Manalo

(10) **Patent No.:** **US D582,415 S**
(45) **Date of Patent:** **** Dec. 9, 2008**

(54) **PORTION OF AN ELECTRONIC MOUSE**

(75) Inventor: **Gil Manalo**, Redmond, WA (US)

(73) Assignee: **Microsoft Corporation**, Redmond, WA (US)

(**) Term: **14 Years**

(21) Appl. No.: **29/298,178**

(22) Filed: **Nov. 30, 2007**

Related U.S. Application Data

(63) Continuation of application No. 29/283,987, filed on Aug. 28, 2007.

(51) **LOC (8) Cl.** **14-02**

(52) **U.S. Cl.** **D14/406; D14/402**

(58) **Field of Classification Search** D14/402-410,
D14/417; 235/472.01; 345/156-167; 365/49;
463/36-38; 200/5 A, 5 R, 6 A, 6 R; 273/148 B;
D21/333

See application file for complete search history.

(56) **References Cited**

U.S. PATENT DOCUMENTS

D514,572 S * 2/2006 Chang D14/409

D523,013 S * 6/2006 Twohig et al. D14/408
D524,294 S * 7/2006 Bear et al. D14/218
D527,006 S * 8/2006 Francz et al. D14/402
D532,787 S * 11/2006 Lu D14/408
D533,554 S * 12/2006 Sheehan et al. D14/409
D545,822 S * 7/2007 Murakami D14/407

* cited by examiner

Primary Examiner—Pamela J Burgess

(74) *Attorney, Agent, or Firm*—Banner & Witcoff, Ltd.

(57) **CLAIM**

The ornamental design for a portion of an electronic mouse, as shown and described.

DESCRIPTION

FIG. 1 is a front perspective view of a portion of an electronic mouse showing my new design;

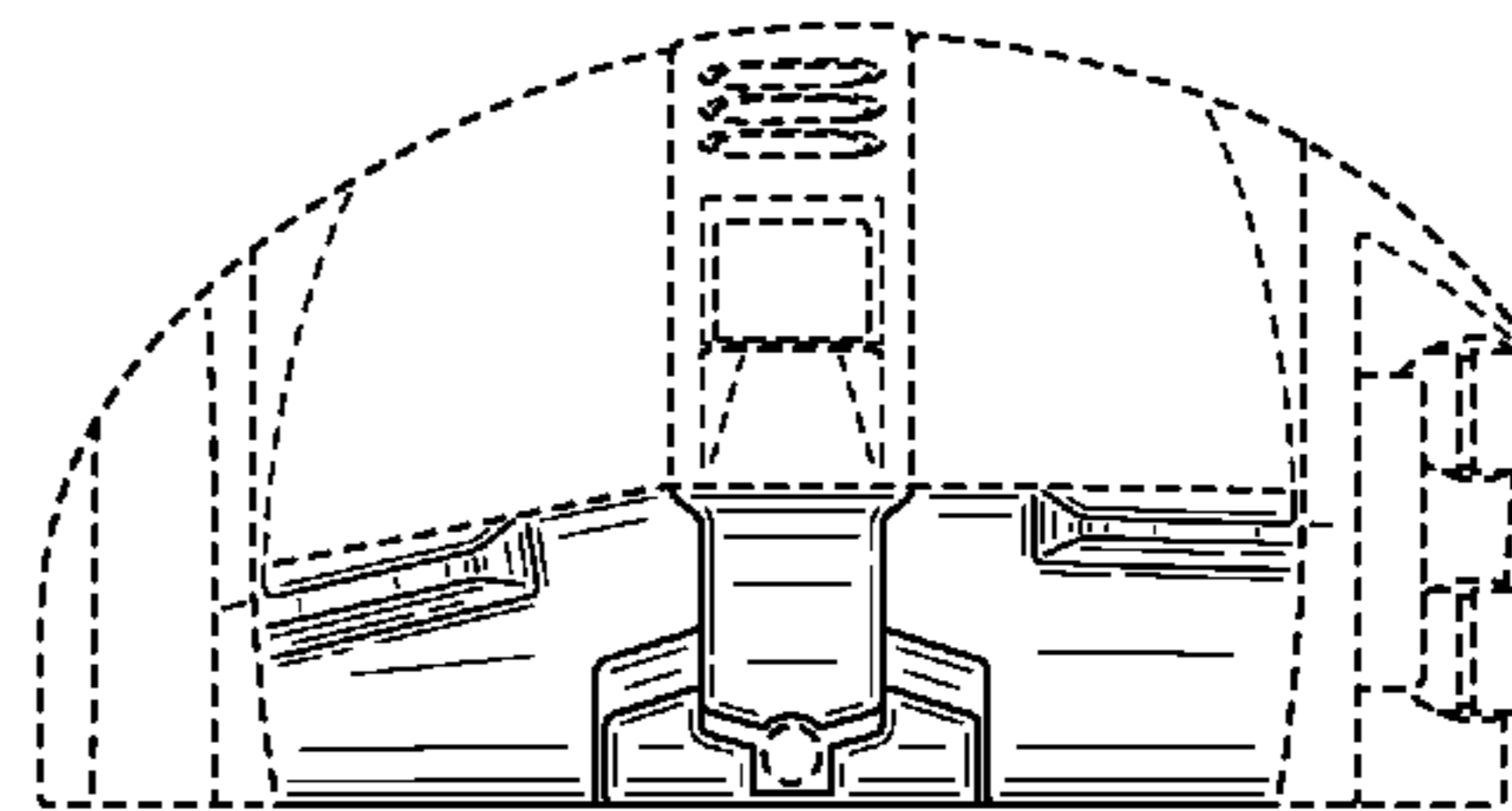
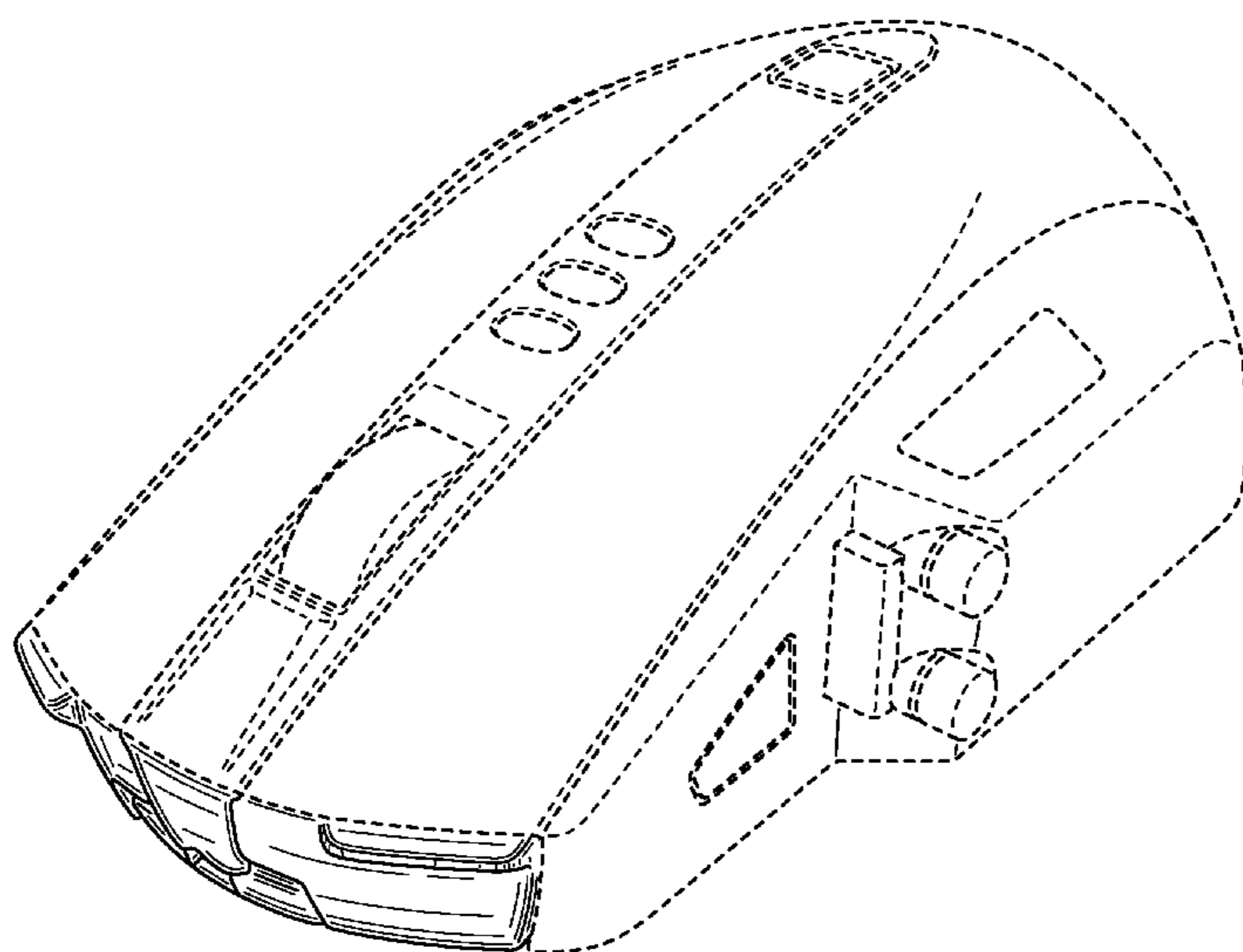
FIG. 2 is a front view thereof;

FIG. 3 is a right side view thereof; and,

FIG. 4 is a left side view thereof.

The unshown bottom forms no part of the claimed design. The broken line showing of various regions and the unshaded areas there within form no part of the claimed design.

1 Claim, 2 Drawing Sheets



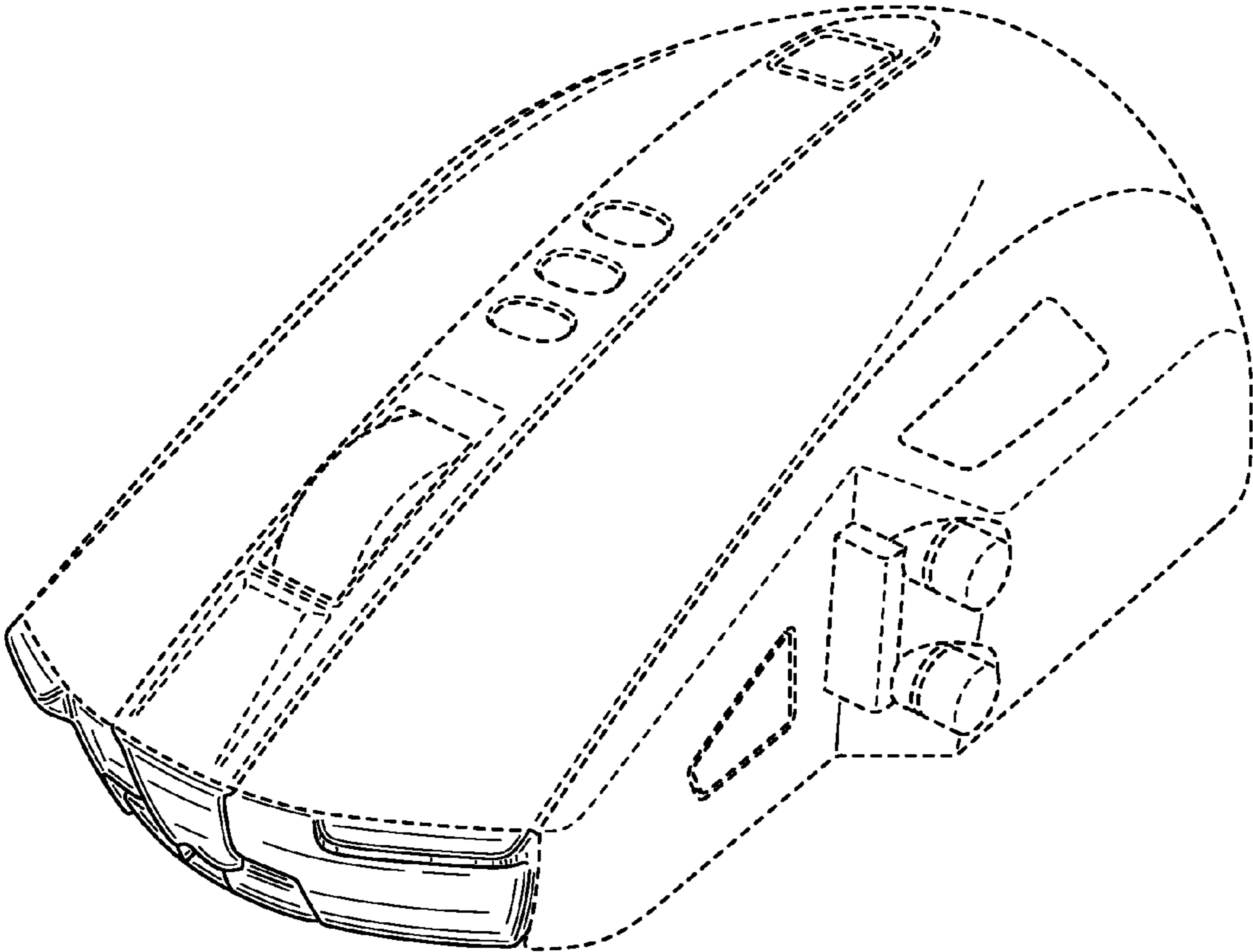


FIG. 1

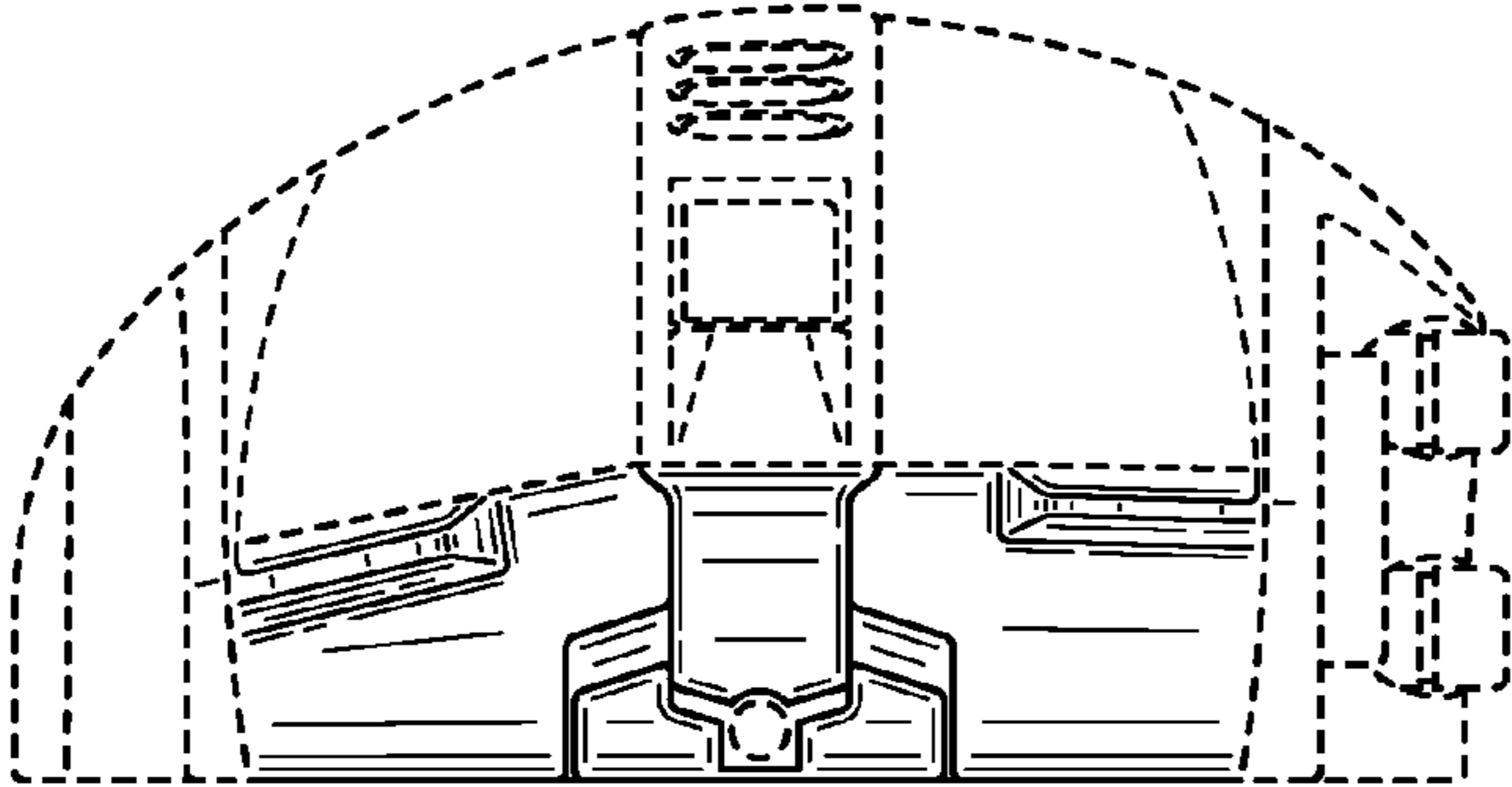


FIG. 2

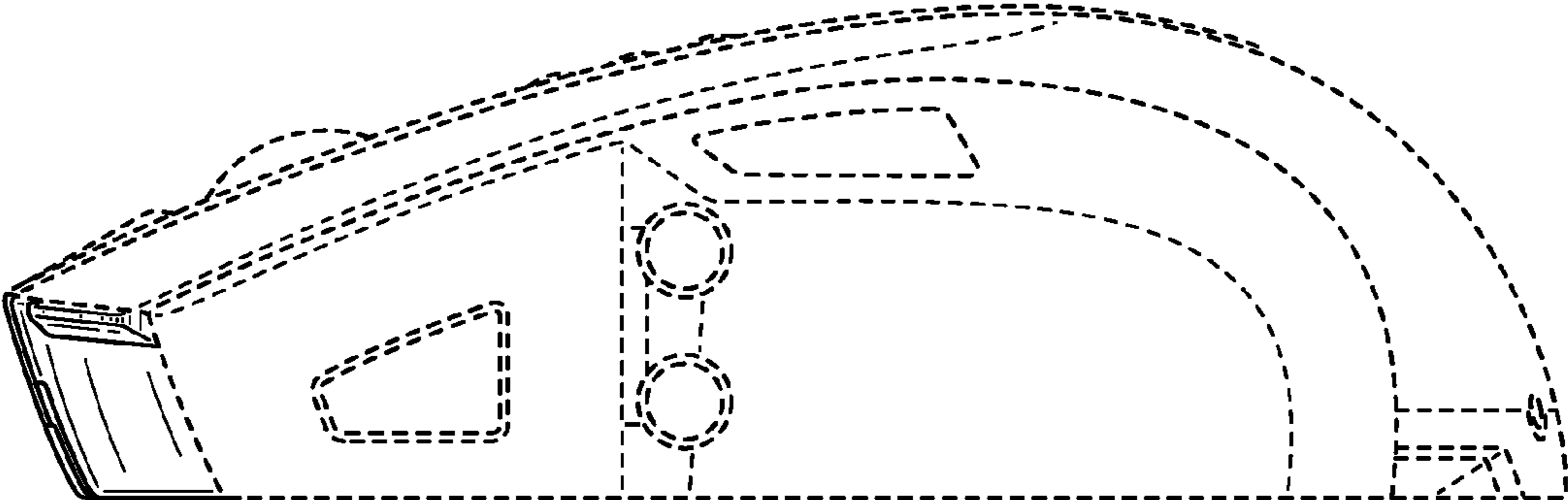


FIG. 3

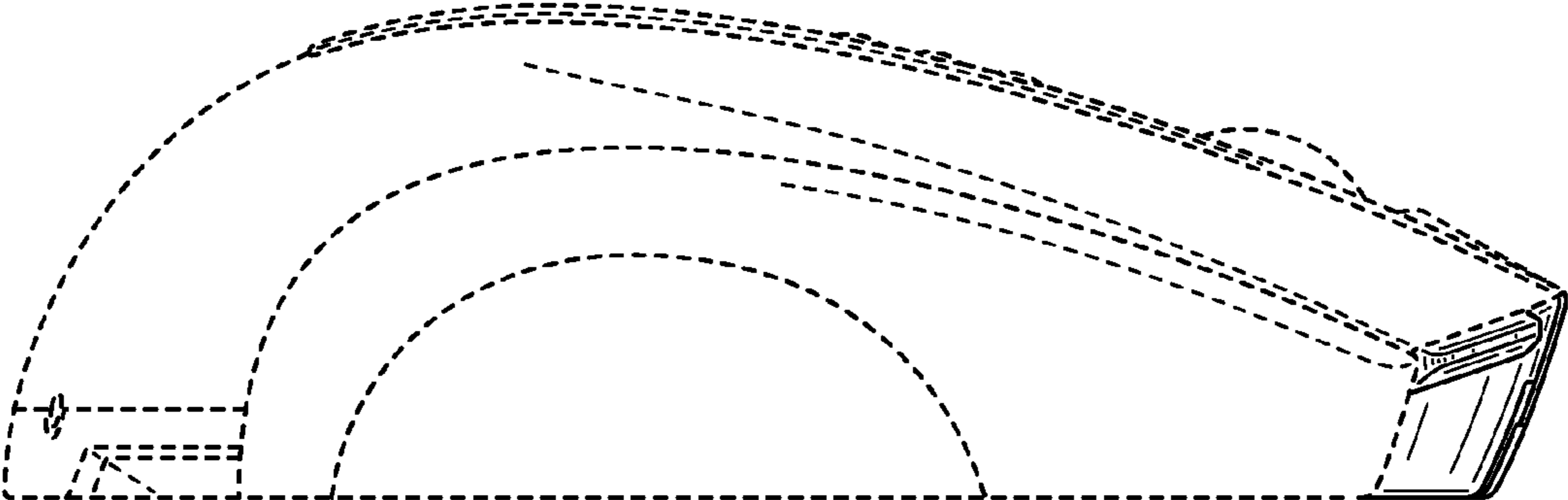


FIG. 4